



US00D900530S

(12) **United States Design Patent**
Kim et al.

(10) **Patent No.:** **US D900,530 S**

(45) **Date of Patent:** **** Nov. 3, 2020**

(54) **ELECTRIC COFFEE GRINDER JAR**

(56) **References Cited**

(71) Applicant: **LG ELECTRONICS INC.**, Seoul (KR)

U.S. PATENT DOCUMENTS

(72) Inventors: **Joo-Gyeom Kim**, Seoul (KR);
Sungkyung Kim, Seoul (KR);
Kyoungmin Baek, Seoul (KR);
Woonkyu Seo, Seoul (KR); **Hyunsun Yoo**, Seoul (KR); **Hyunhee You**, Seoul (KR); **Yousook Eun**, Seoul (KR);
Hyejin Choi, Seoul (KR)

4,199,268	A *	4/1980	Parzych	A47J 43/046	366/306
D332,720	S *	1/1993	Shields		D7/305
D343,981	S *	2/1994	Ferrara, Jr.		D7/309
D708,008	S *	7/2014	Lazzer		D7/376
D796,886	S *	9/2017	Mangold		D7/309
D825,983	S *	8/2018	Kraemer		D7/373
D847,557	S *	5/2019	Kraemer		D7/373
D867,054	S *	11/2019	Lee		D7/386
D867,806	S *	11/2019	Bodum		D7/377
D877,652	S *	3/2020	Hung; Chun		D11/152

(73) Assignee: **LG ELECTRONICS INC.**, Seoul (KR)

(Continued)

(**) Term: **15 Years**

Primary Examiner — Ricky Pham

(21) Appl. No.: **29/677,115**

(74) *Attorney, Agent, or Firm* — Birch, Stewart, Kolasch & Birch, LLP

(22) Filed: **Jan. 17, 2019**

(57) **CLAIM**

(30) **Foreign Application Priority Data**

The ornamental design for an electric coffee grinder jar, as shown and described.

Jul. 18, 2018 (KR) 30-2018-0033182

(51) **LOC (12) Cl.** **31-00**

(52) **U.S. Cl.**
USPC **D7/373; D7/372**

(58) **Field of Classification Search**

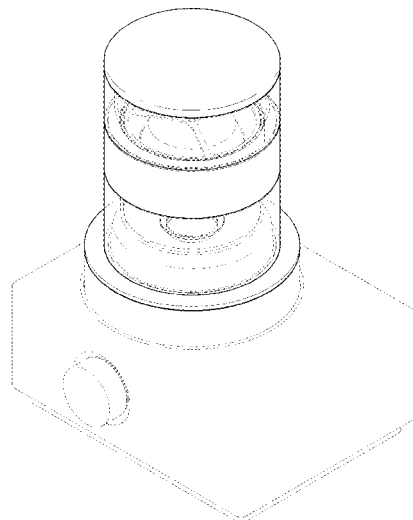
USPC D7/305, 309, 372–373, 376–386,
D7/412–413, 602, 629, 665–666, 669,
D7/679, 693–694
CPC A21C 1/02; A21C 1/04; A23N 1/00; A23N
1/02; A47J 42/00; A47J 43/04; A47J
43/25; A47J 43/27; A47J 43/042; A47J
43/044; A47J 43/046; A47J 43/075; A47J
43/0722; A47J 43/0727; B01F 3/00; B01F
3/0807; B01F 3/0853; B01F 13/0059;
B01F 13/0064; B02C 1/08; B02C 2/04;
B02C 4/42; B02C 4/142; B02C 4/143;
B02C 4/423; B02C 13/1835; B28C 5/10;
B28C 5/12; B28C 5/14; B28C 5/16

See application file for complete search history.

DESCRIPTION

FIG. 1 is a front, right side, perspective view of an electric coffee grinder jar showing our new design; FIG. 2 is a front view thereof; FIG. 3 is a rear view thereof; FIG. 4 is a left side view thereof; FIG. 5 is a right side view thereof; FIG. 6 is a top view thereof; FIG. 7 is a bottom view thereof; and, FIG. 8 is a reference view that shows the subject design with a coffee grinder installed and the transparent material of the subject design thereof. The portions of the electric coffee grinder jar shown in broken lines form no part of the claimed design.

1 Claim, 8 Drawing Sheets



(56)

References Cited

U.S. PATENT DOCUMENTS

2014/0319249	A1*	10/2014	Smith	A47J 43/25
					241/24.1
2016/0100715	A1*	4/2016	Staiano	A47J 42/00
					241/79

* cited by examiner

FIG. 1

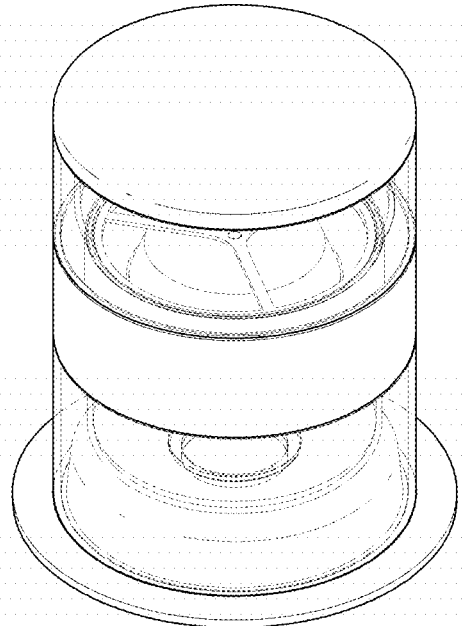


FIG. 2

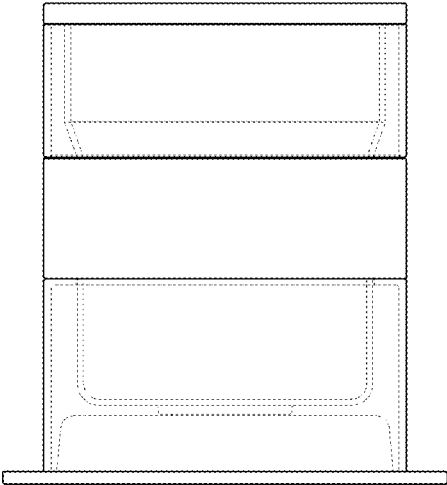


FIG. 3

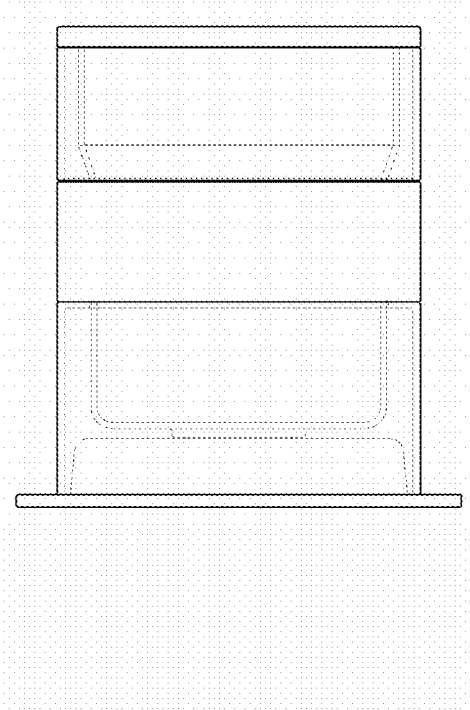


FIG. 4

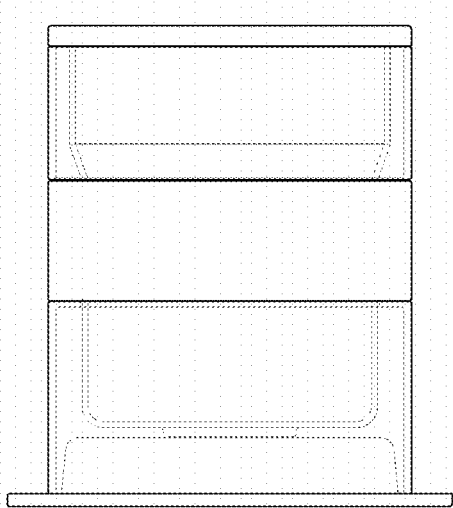


FIG. 5

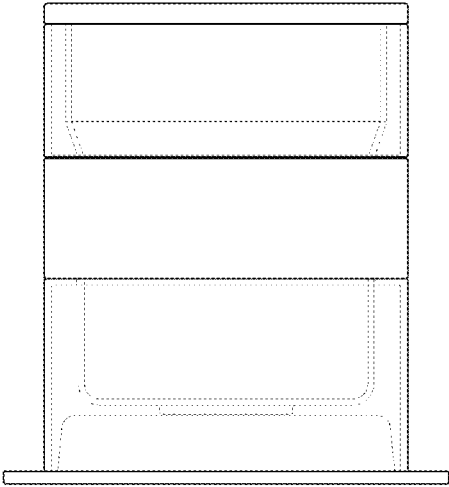


FIG. 6

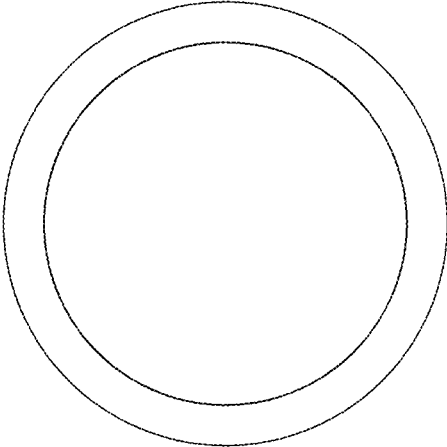


FIG. 7

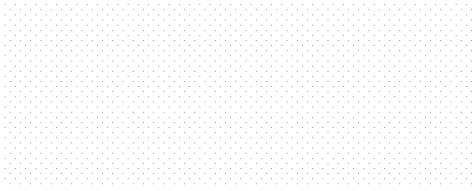
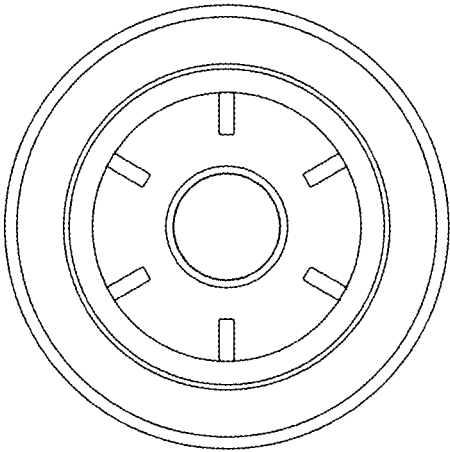


FIG. 8

