



US00D398408S

United States Patent [19]
Lin

[11] **Patent Number: Des. 398,408**
[45] **Date of Patent: **Sep. 15, 1998**

[54] **CROSS LIGHT**
[76] Inventor: **Shwu-Miin Lin**, 5F, No. 50, Lane 260,
Kwangfu South Road, Taipei, Taiwan

5,255,170 10/1993 Plamp et al. 362/121
5,526,246 6/1996 Liou 362/806 X
5,645,342 7/1997 Chang 362/252

[**] Term: **14 Years**

Primary Examiner—Susan J. Lucas
Attorney, Agent, or Firm—Pro-Techtor International
Services

[21] Appl. No.: **72,251**

[57] **CLAIM**

[22] Filed: **Jun. 11, 1997**

The ornamental design for cross light, as shown.

[51] **LOC (6) Cl.** **26-04**

DESCRIPTION

[52] **U.S. Cl.** **D26/25; D26/94; D99/27**

[58] **Field of Search** D26/25, 4, 94,
D26/73; 362/249, 250, 252, 806, 121; D99/27;
D11/96, 121, 175

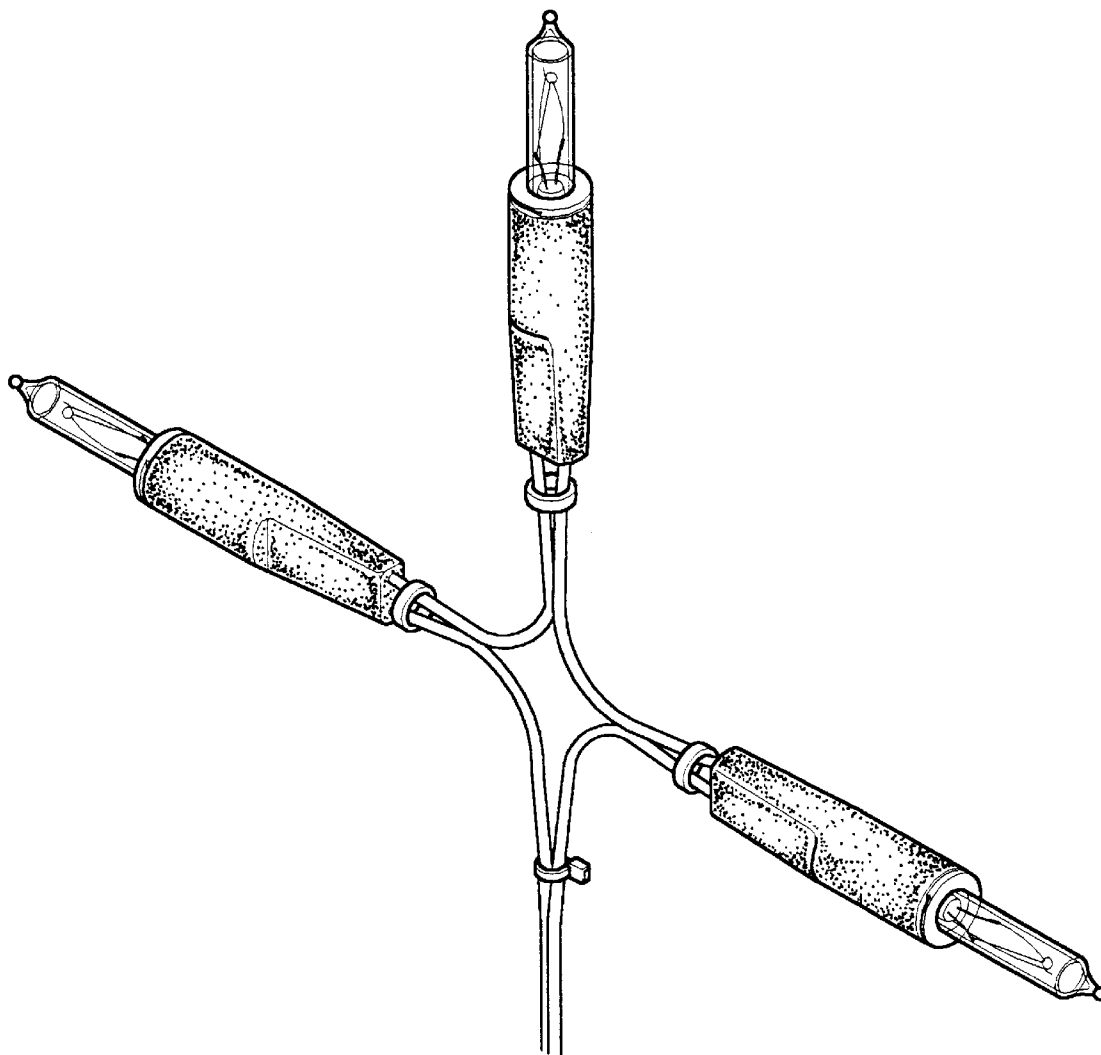
FIG. 1 is a perspective view of the new design;
FIG. 2 is a front view thereof;
FIG. 3 is a rear view thereof;
FIG. 4 is a left side view thereof;
FIG. 5 is a right side view thereof;
FIG. 6 is a top view thereof; and,
FIG. 7 is a bottom view thereof.

[56] **References Cited**

U.S. PATENT DOCUMENTS

D. 355,268 2/1995 Openiano D26/25
2,031,641 2/1936 Graf 362/121
2,036,616 4/1936 Asch 362/121

1 Claim, 5 Drawing Sheets



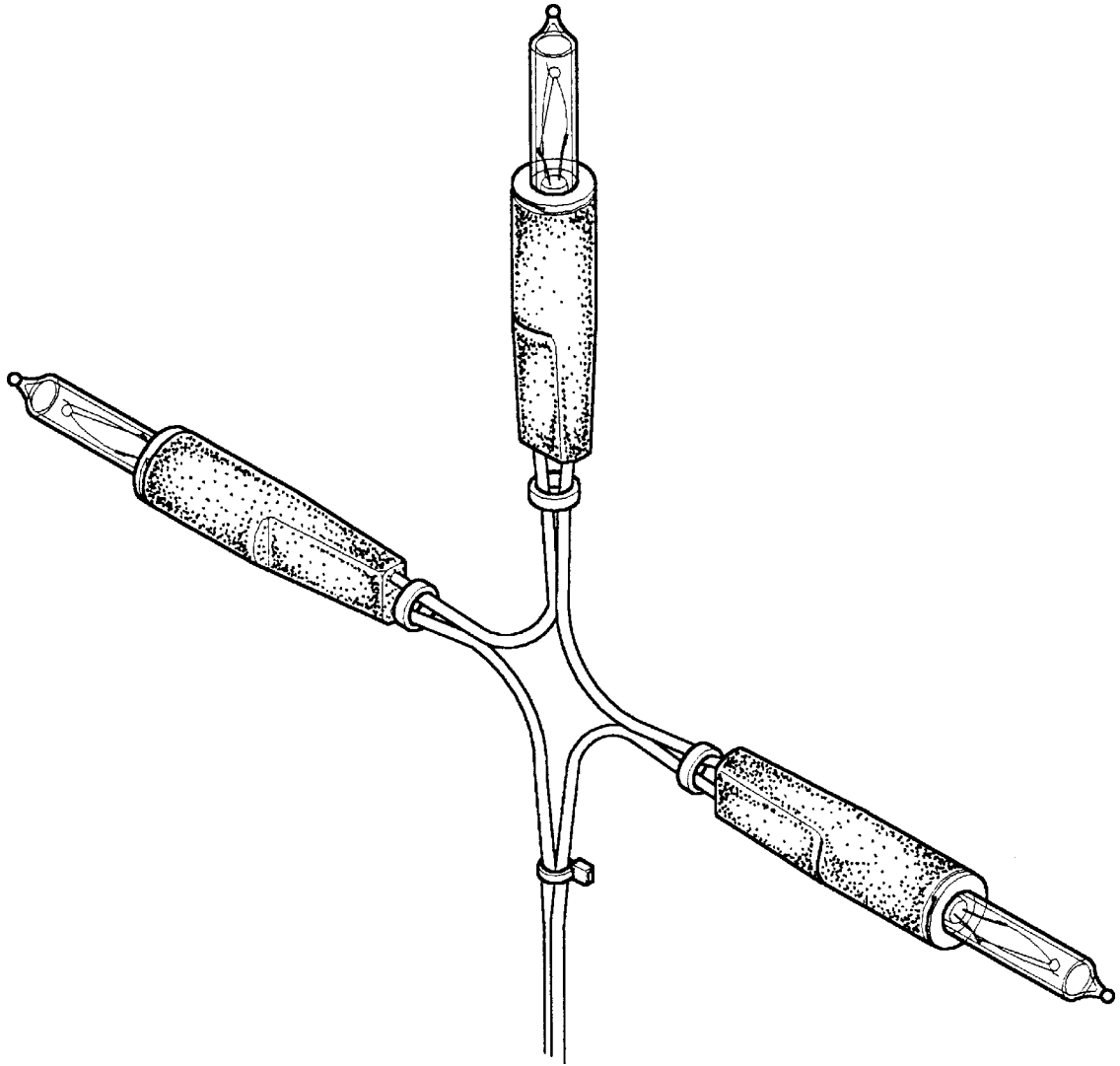


FIG. 1

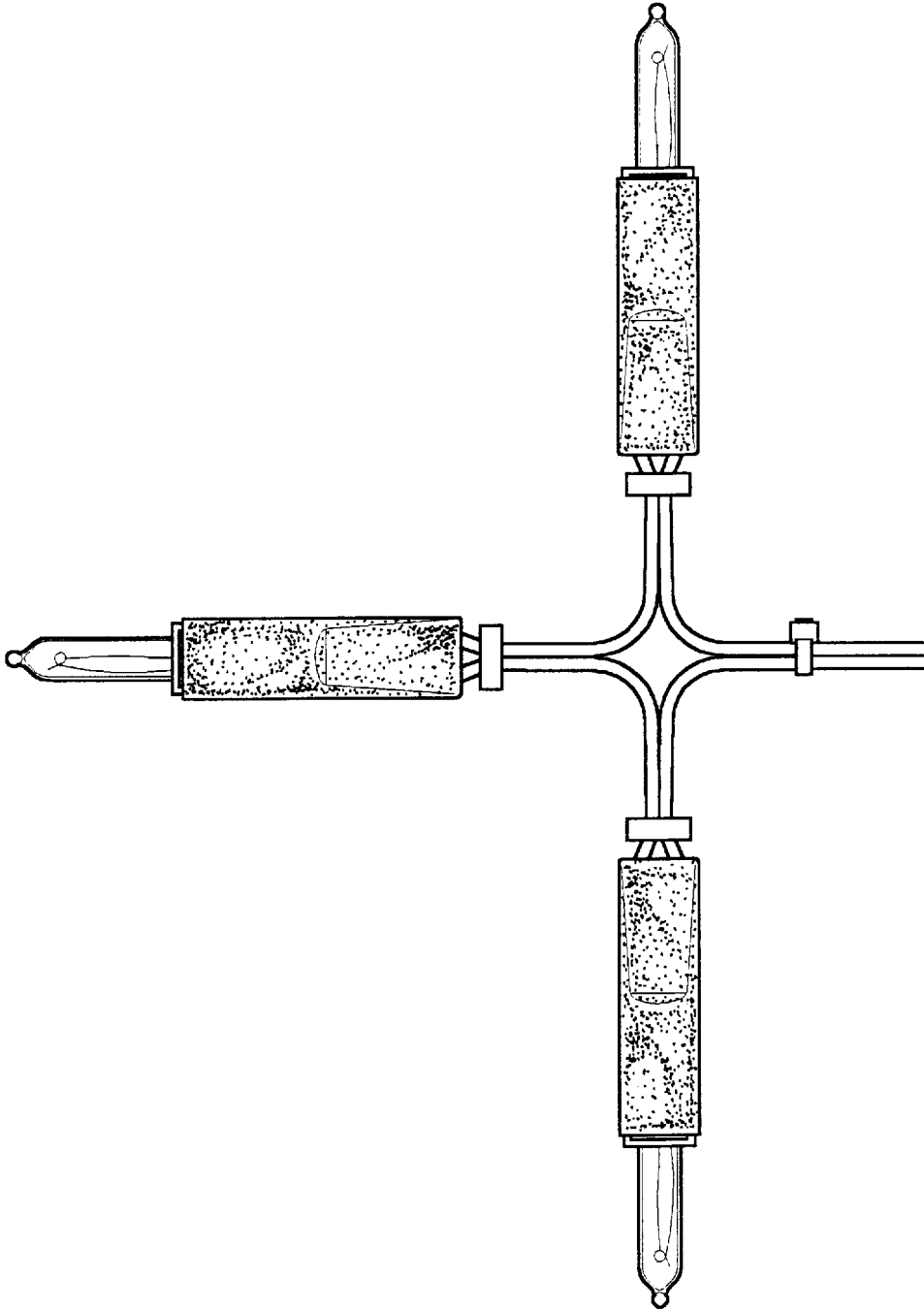


FIG. 2

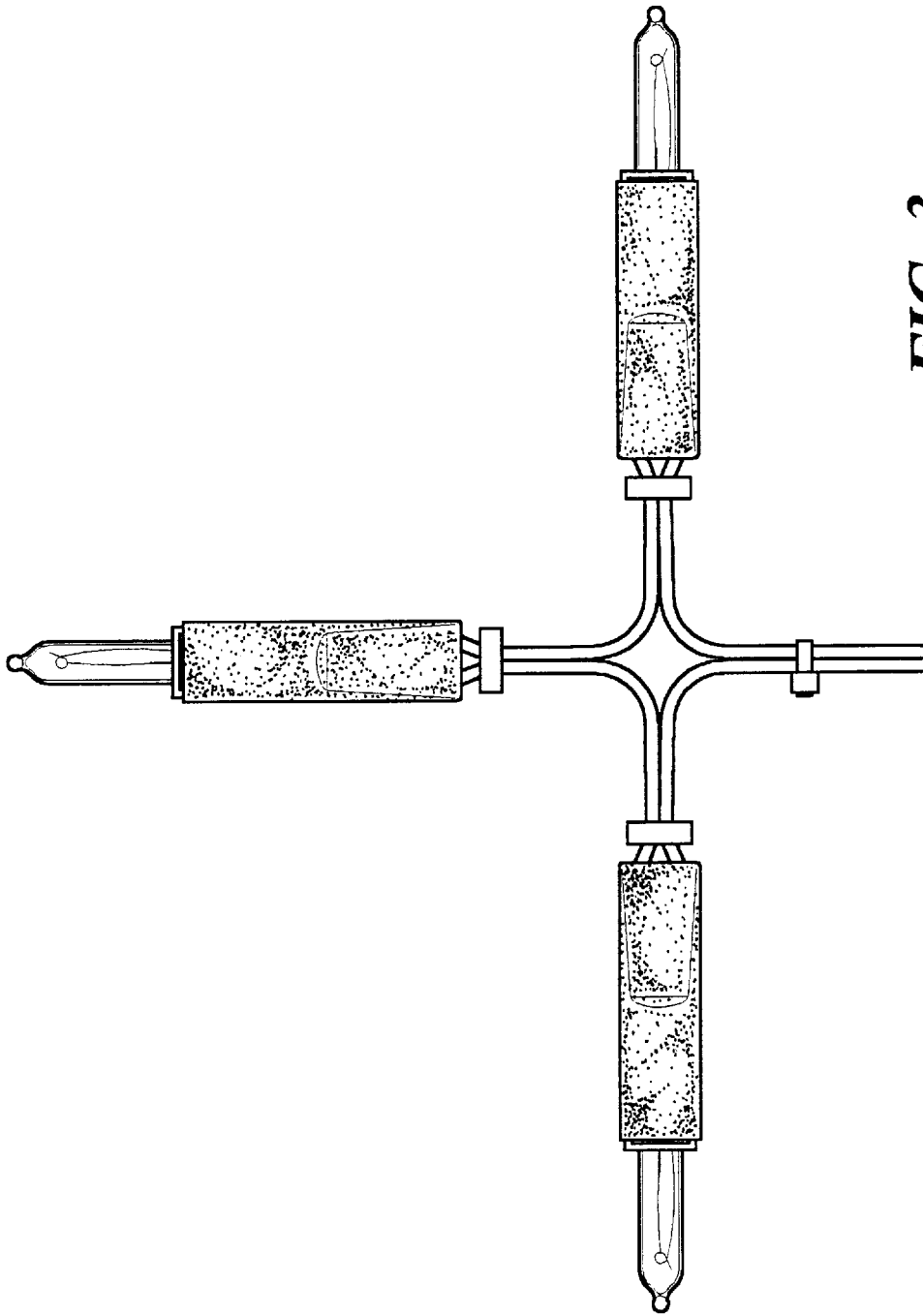


FIG. 3

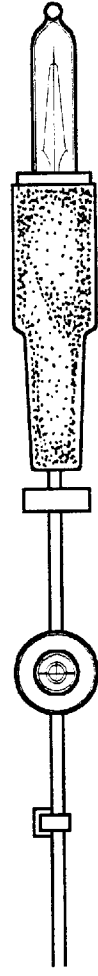
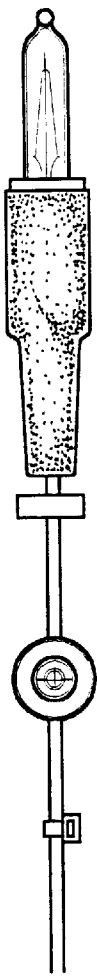


FIG. 4

FIG. 5



FIG. 6



FIG. 7