



US00D710979S

(12) **United States Design Patent**  
**Spangler**

(10) **Patent No.:** **US D710,979 S**

(45) **Date of Patent:** **\*\* Aug. 12, 2014**

(54) **TOILET**

(71) Applicant: **Masco Corporation of Indiana,**  
Indianapolis, IN (US)

(72) Inventor: **Anthony Spangler,** Indianapolis, IN  
(US)

(73) Assignee: **Masco Corporation of Indiana,**  
Indianapolis, IN (US)

(\*\*) Term: **14 Years**

(21) Appl. No.: **29/483,432**

(22) Filed: **Feb. 28, 2014**

**Related U.S. Application Data**

(62) Division of application No. 29/456,692, filed on Jun. 3,  
2013.

(51) **LOC (10) Cl.** ..... **23-02**

(52) **U.S. Cl.**

USPC ..... **D23/301**

(58) **Field of Classification Search**

USPC ..... D23/295, 303, 309, 299, 301, 313, 311;  
4/300, 420, 353, 460, 234, 242.1, 237,  
4/239

See application file for complete search history.

(56) **References Cited**

U.S. PATENT DOCUMENTS

D621,013 S *	8/2010	Bucher .....	D23/301
D640,779 S *	6/2011	Bates .....	D23/313
D647,184 S *	10/2011	Bates .....	D23/295
D657,030 S *	4/2012	Bates .....	D23/309
D670,368 S *	11/2012	Vanderheyden et al. ....	D23/309
D688,356 S *	8/2013	Mendoza et al. ....	D23/301

\* cited by examiner

*Primary Examiner* — Robert Delehanty

(74) *Attorney, Agent, or Firm* — Edgar A. Zarins; Nirav D. Parikh

(57) **CLAIM**

The ornamental design for a toilet, as shown and described.

**DESCRIPTION**

FIG. 1 is a perspective view of a toilet showing my new design;

FIG. 2 is a rear perspective view thereof;

FIG. 3 is a front elevational view thereof;

FIG. 4 is a top plan view thereof;

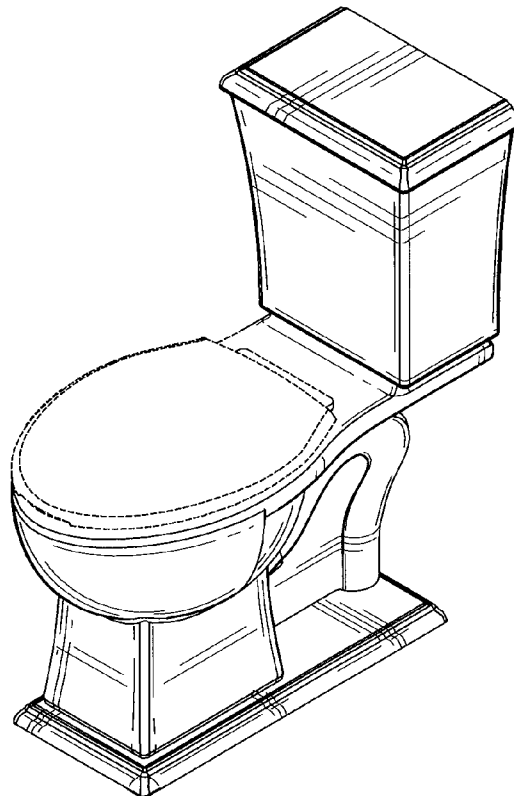
FIG. 5 is a bottom view thereof;

FIG. 6 is a rear view thereof;

FIG. 7 is a left side view thereof; and,

FIG. 8 is a right side view thereof.

**1 Claim, 3 Drawing Sheets**



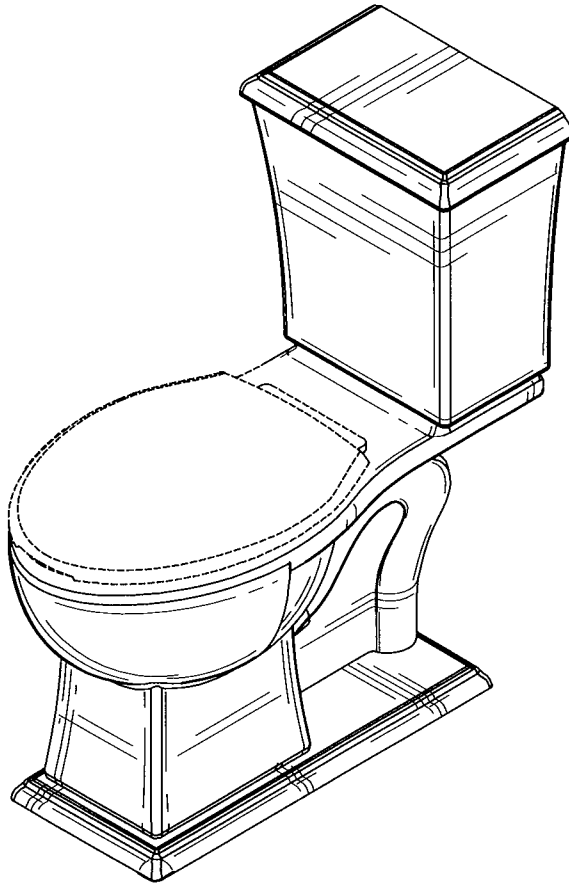


Fig-1

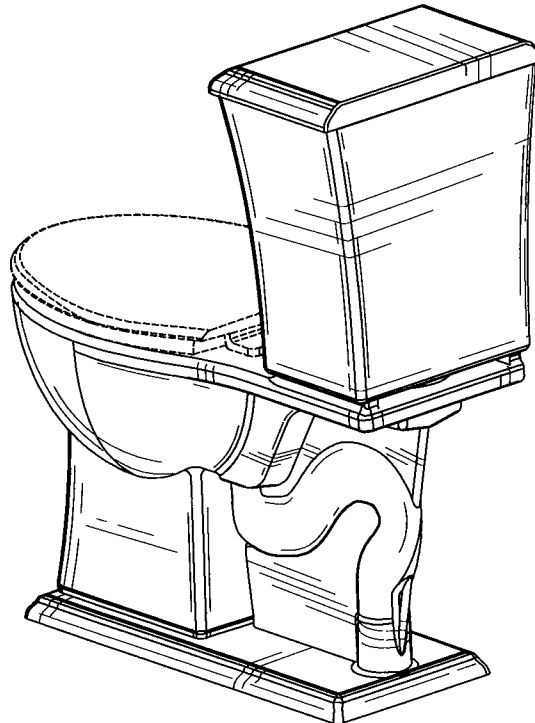


Fig-2

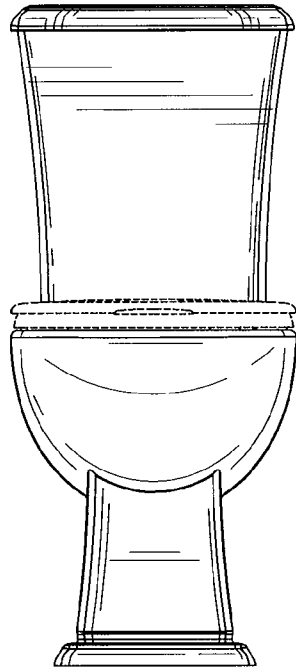


Fig-3

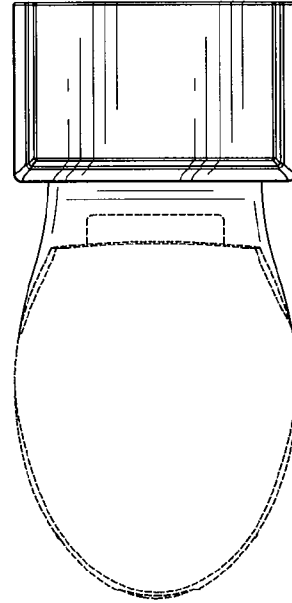


Fig-4

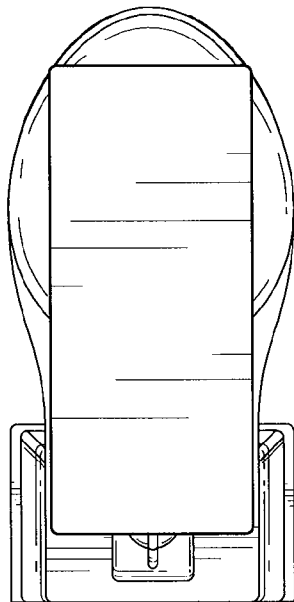


Fig-5

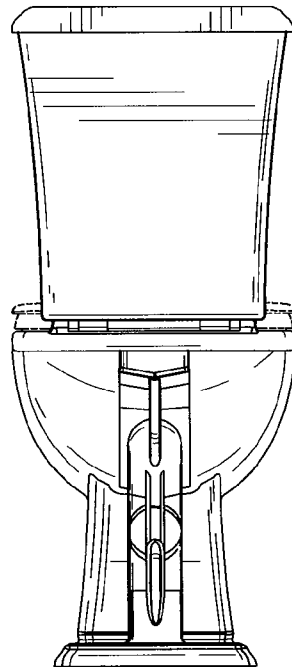


Fig-6

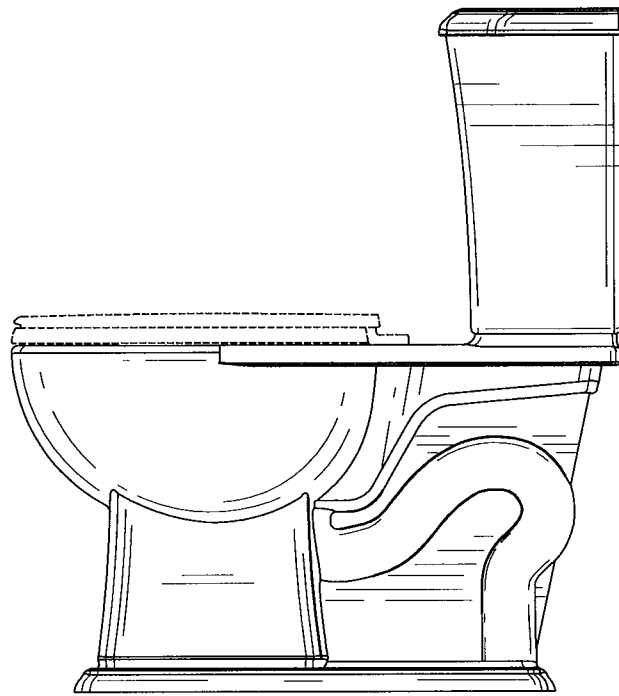


Fig- 7

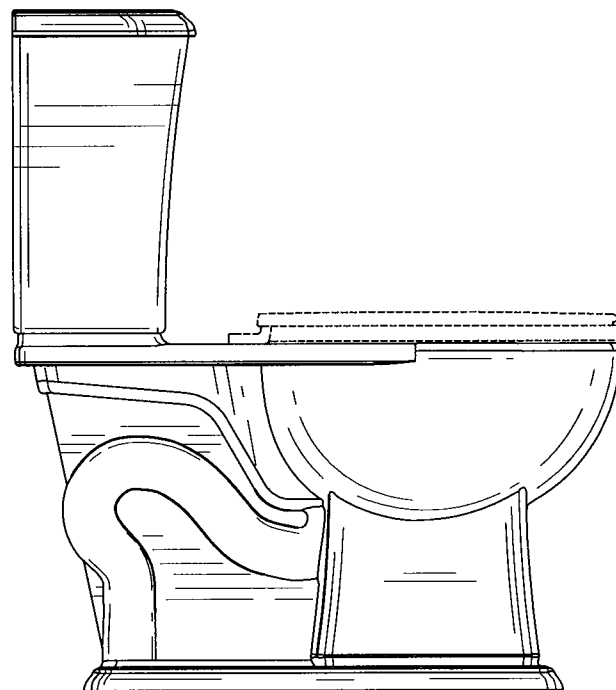


Fig- 8