



US00D734736S

(12) **United States Design Patent**  
**Jin**

(10) **Patent No.:** **US D734,736 S**

(45) **Date of Patent:** **\*\* Jul. 21, 2015**

(54) **HEADSET**

(71) Applicant: **Main Force (Shen Zhen) Sound Technology Ltd.**, Shenzhen (CN)

(72) Inventor: **You Choi Jin**, Shenzhen (CN)

(73) Assignee: **MAIN FORCE (SHEN ZHEN) SOUND TECHNOLOGY Ltd.**, Shenzhen (CN)

(\*\*) Term: **14 Years**

(21) Appl. No.: **29/487,331**

(22) Filed: **Apr. 8, 2014**

(51) **LOC (10) Cl.** ..... **14-01**

(52) **U.S. Cl.**  
USPC ..... **D14/206**

(58) **Field of Classification Search**

USPC ..... D14/205, 206, 225; 181/129, 130, 135;  
379/430, 431; 381/380, 381; 455/90.3,  
455/575.1

CPC ..... H04R 1/1066  
See application file for complete search history.

(56) **References Cited**

**U.S. PATENT DOCUMENTS**

3,863,028	A	*	1/1975	Fixler	.....	381/19
D254,910	S	*	5/1980	Lung	.....	D14/168
D266,417	S	*	10/1982	Perez	.....	D14/165
4,821,318	A	*	4/1989	Wu	.....	379/430
D315,561	S	*	3/1991	Miller	.....	D14/192
D321,879	S	*	11/1991	Emmerling	.....	D14/192
D324,385	S	*	3/1992	Yoda et al.	.....	D14/192
5,113,428	A	*	5/1992	Fitzgerald	.....	455/575.2
D342,947	S	*	1/1994	Totsuka	.....	D14/192
D346,380	S	*	4/1994	Fitzgerald	.....	D14/138 R
D352,036	S	*	11/1994	Sekita	.....	D14/192
D386,181	S	*	11/1997	Fisher	.....	D14/205

5,794,127	A	*	8/1998	Lansang	.....	455/66.1
D409,197	S	*	5/1999	Nakamura	.....	D14/205
D418,509	S	*	1/2000	Zeitman	.....	D14/192
D441,734	S	*	5/2001	Fitzgerald	.....	D14/142
D449,290	S	*	10/2001	Taylor et al.	.....	D14/206
D456,379	S	*	4/2002	Fitzgerald	.....	D14/142
D638,397	S	*	5/2011	McManigal	.....	D14/205
D656,480	S	*	3/2012	McManigal et al.	.....	D14/205
D657,346	S	*	4/2012	Park	.....	D14/205
D661,684	S	*	6/2012	Frey	.....	D14/205
D666,991	S	*	9/2012	Lee et al.	.....	D14/205
D666,992	S	*	9/2012	Lee et al.	.....	D14/205
D673,136	S	*	12/2012	Kelly et al.	.....	D14/205
D689,464	S	*	9/2013	Bonahoom et al.	.....	D14/206
D690,680	S	*	10/2013	McManigal	.....	D14/205
D691,111	S	*	10/2013	Lee	.....	D14/206
D693,327	S	*	11/2013	Chiu	.....	D14/206
D693,791	S	*	11/2013	Troy	.....	D14/205
D697,495	S	*	1/2014	Lian	.....	D14/205
D699,216	S	*	2/2014	Bonahoom et al.	.....	D14/205
D704,162	S	*	5/2014	Davies et al.	.....	D14/205
D712,875	S	*	9/2014	Katori et al.	.....	D14/206
D717,764	S	*	11/2014	Lee et al.	.....	D14/205

\* cited by examiner

*Primary Examiner* — Paula Greene

(74) *Attorney, Agent, or Firm* — CBM Patent Consulting, LLC

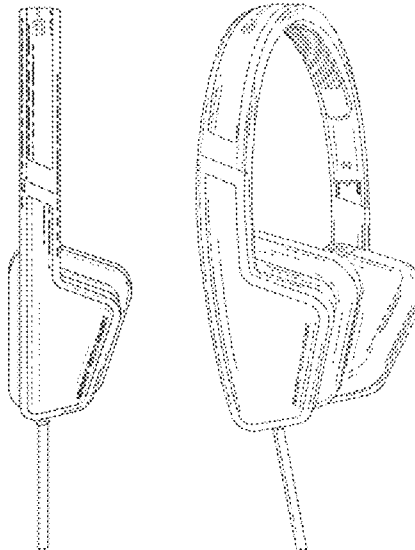
(57) **CLAIM**

The ornamental design for a headset, as shown and described.

**DESCRIPTION**

FIG. 1 is a top view of a headset showing my new design;  
FIG. 2 is a bottom view thereof;  
FIG. 3 is a front view thereof;  
FIG. 4 is a rear view thereof;  
FIG. 5 is a left side view thereof;  
FIG. 6 is a right side view thereof; and,  
FIG. 7 is a perspective view thereof.  
The broken lines form no part of the claimed design.

**1 Claim, 6 Drawing Sheets**



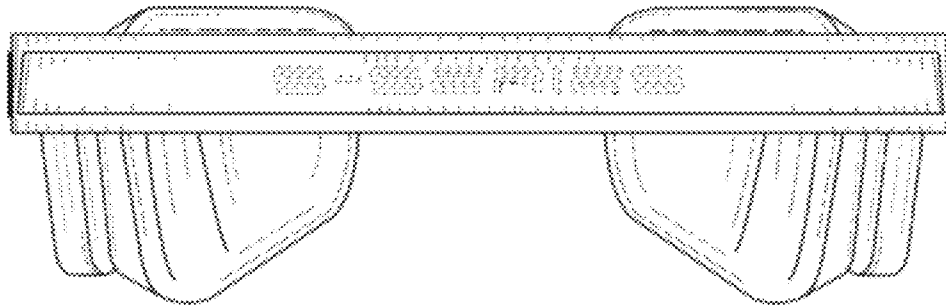


FIG. 1

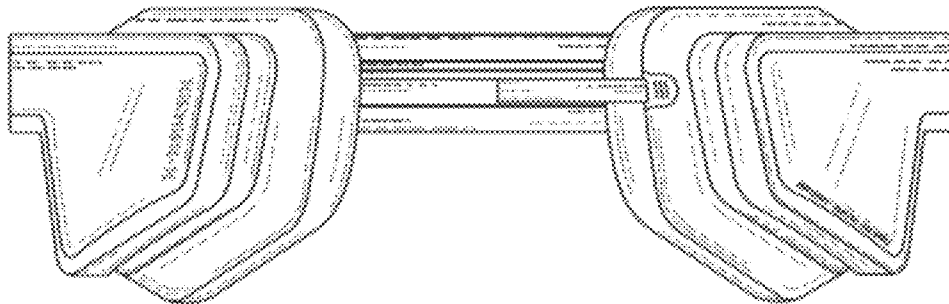


FIG. 2



FIG. 3



FIG. 4

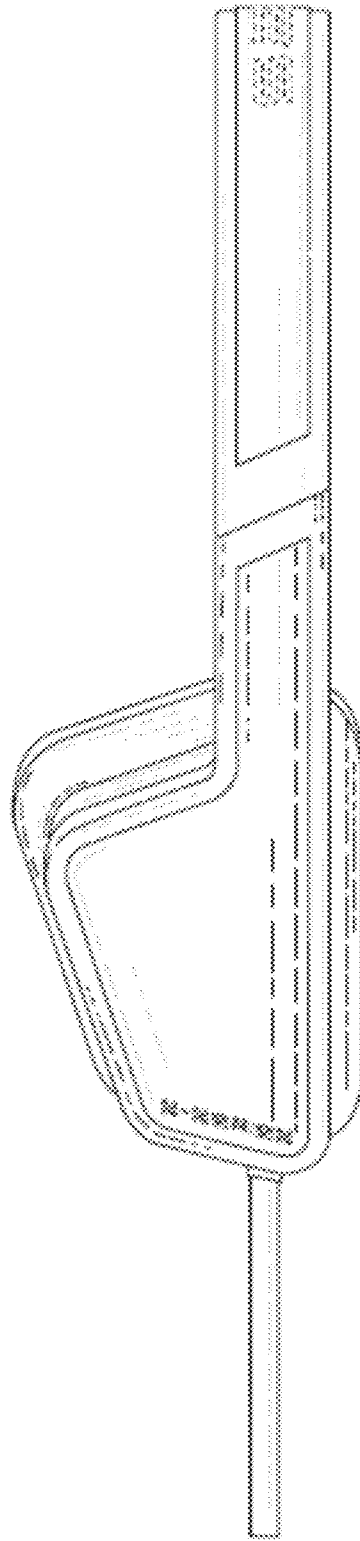


FIG. 5

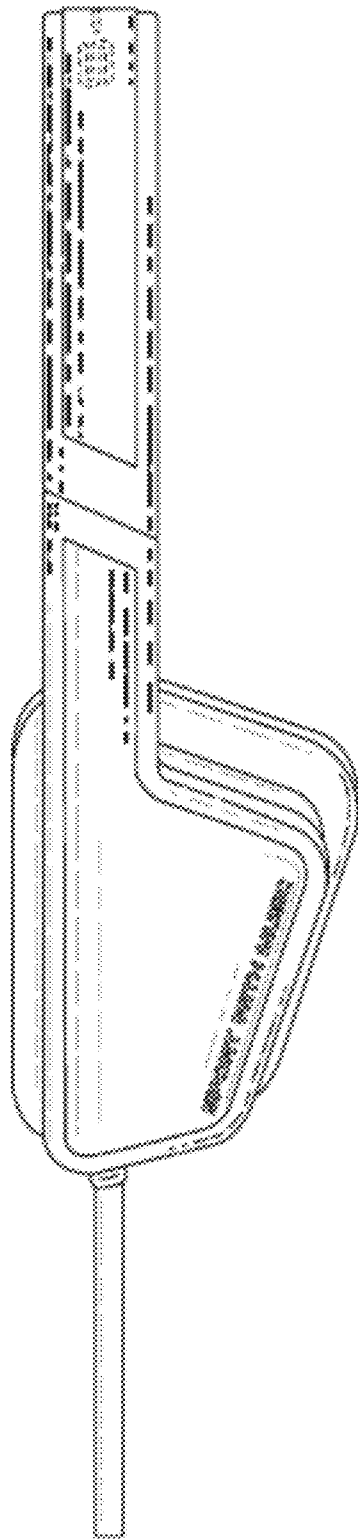


FIG. 6

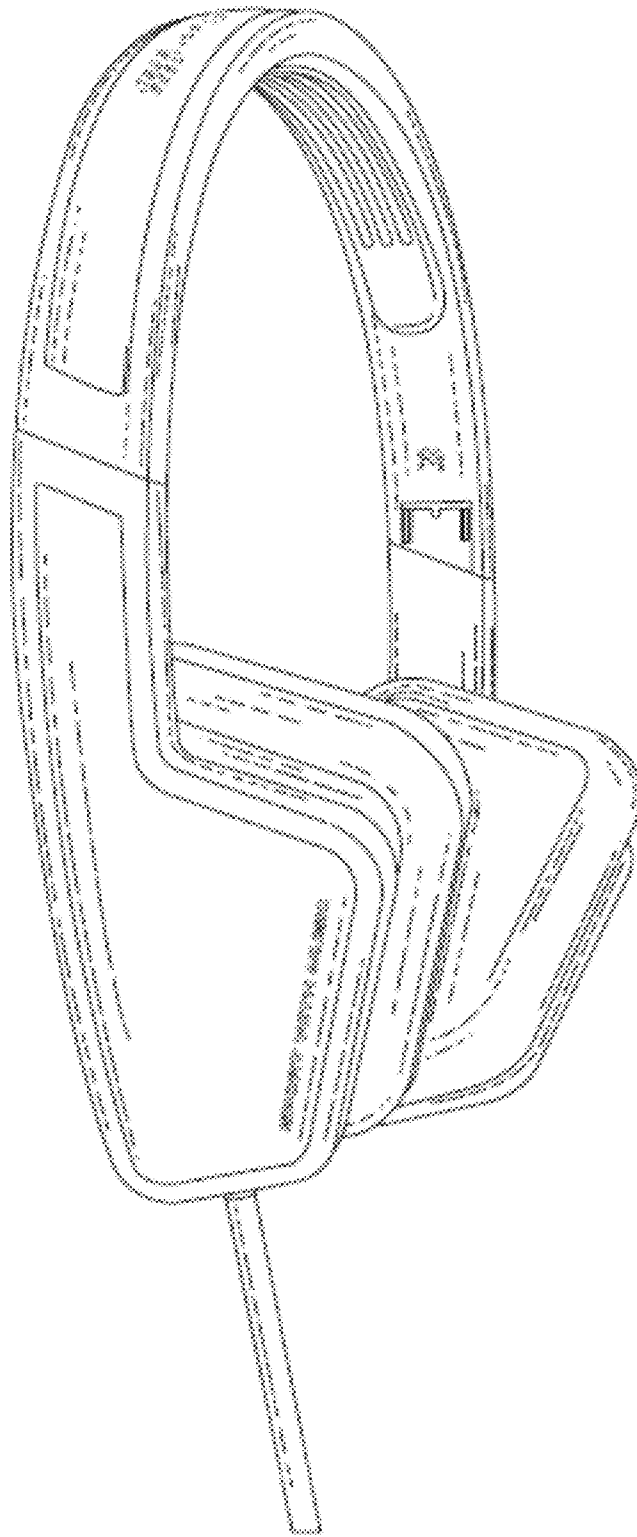


FIG. 7