



US00D816361S

(12) **United States Design Patent** (10) **Patent No.:** **US D816,361 S**  
**Newhouse** (45) **Date of Patent:** **\*\* May 1, 2018**

- (54) **SEAT**
- (71) Applicant: **Trendway Corporation**, Holland, MI (US)
- (72) Inventor: **Thomas J. Newhouse**, Grand Rapids, MI (US)
- (73) Assignee: **Trendway Corporation**, Holland, MI (US)
- (\*\*) Term: **15 Years**
- (21) Appl. No.: **29/558,752**
- (22) Filed: **Mar. 21, 2016**
- (51) **LOC (11) Cl.** ..... **06-01**
- (52) **U.S. Cl.**  
USPC ..... **D6/364**
- (58) **Field of Classification Search**  
USPC ..... D6/364, 334-336, 371, 372, 373, 374, D6/375, 716, 716.1, 716.4  
CPC .... A47C 3/16; A47C 7/50; A47C 7/18; A47C 7/24; A47C 15/002  
See application file for complete search history.

- D372,367 S \* 8/1996 Bonaddio ..... D6/334
  - 6,783,182 B1 \* 8/2004 Gallagher ..... A47C 4/02  
297/440.14
  - D497,737 S \* 11/2004 Stewart ..... D16/225
  - D498,064 S \* 11/2004 Gomez ..... D6/334
  - D510,486 S \* 10/2005 Karl ..... D6/334
  - D525,802 S \* 8/2006 Spear ..... D6/381
  - D538,549 S \* 3/2007 Spear ..... D6/381
  - D577,211 S \* 9/2008 Natuzzi ..... D6/334
  - D586,590 S \* 2/2009 Schweikarth ..... D6/716
  - D621,628 S \* 8/2010 Saul ..... D6/335
  - D639,083 S \* 6/2011 Martin ..... D6/381
  - D646,906 S \* 10/2011 Joly ..... D6/375
  - D657,964 S \* 4/2012 Amini ..... D6/334
  - D665,601 S \* 8/2012 LeHew ..... D6/708
- (Continued)

(56) **References Cited**

**U.S. PATENT DOCUMENTS**

- D132,793 S \* 6/1942 Reiss ..... D6/364
- 4,092,049 A \* 5/1978 Schoblom ..... A47C 4/022  
297/218.4
- 4,212,090 A \* 7/1980 Ehrlich ..... A47C 17/045  
297/239
- D261,955 S \* 11/1981 Aronowitz ..... D6/363
- D268,797 S \* 5/1983 Mascheroni ..... D6/371
- D273,156 S \* 3/1984 Dubbin ..... D6/334
- D284,142 S \* 6/1986 Raftery ..... D6/334
- 4,602,817 A \* 7/1986 Raftery ..... A47C 4/02  
24/339
- D286,586 S \* 11/1986 Radford ..... D6/334
- D289,831 S \* 5/1987 Leib ..... D6/334
- D364,749 S \* 12/1995 McKnight ..... D6/375

**OTHER PUBLICATIONS**

- Trendway.com, Product—Feek 18, Aug. 16, 2017, <https://www.trendway.com/product/feek-18/>\*
- Primary Examiner* — David Muller
- Assistant Examiner* — Nathan Johnston
- (74) *Attorney, Agent, or Firm* — McGarry Bair PC

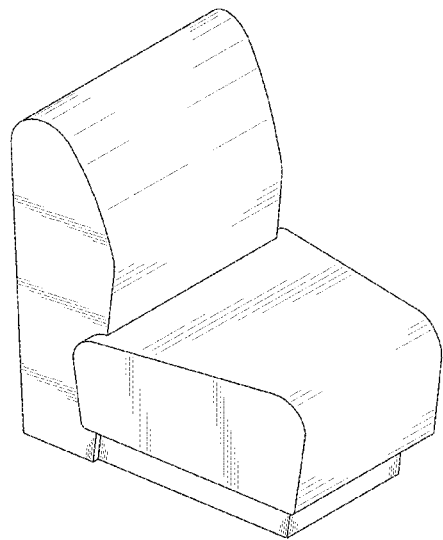
(57) **CLAIM**

The ornamental design for a seat, as shown and described.

**DESCRIPTION**

FIG 1 is a perspective view of a seat showing my new design;  
 FIG. 2 is a top plan view thereof;  
 FIG. 3 is a bottom plan view thereof;  
 FIG. 4 is a left side elevation view thereof;  
 FIG. 5 is a right side view thereof;  
 FIG. 6 is front elevation view thereof; and,  
 FIG. 7 is a rear elevation view thereof.  
 Portions of the seat shown in broken lines form no part of the claimed design.

**1 Claim, 5 Drawing Sheets**



(56)

**References Cited**

## U.S. PATENT DOCUMENTS

D668,892	S	*	10/2012	Metcalf	.....	D6/717
D671,341	S	*	11/2012	Metcalf	.....	D6/717
D704,468	S	*	5/2014	Gaschy	.....	D6/371
D717,553	S	*	11/2014	Baraldi	.....	D6/334
D725,396	S	*	3/2015	Lee	.....	D6/371
D731,835	S	*	6/2015	Schweikarth	.....	D6/717
D737,589	S	*	9/2015	Lenhart	.....	D6/373
D740,043	S	*	10/2015	Lee	.....	D6/375
D751,310	S	*	3/2016	Schroeder	.....	D6/364
D756,673	S	*	5/2016	Schweikarth	.....	D6/334
D770,822	S	*	11/2016	Schweikarth	.....	D6/366
D793,783	S	*	8/2017	Newhouse	.....	D6/696.1
2008/0164742	A1	*	7/2008	Crowe	.....	A47C 4/02 297/440.14
2011/0298340	A1	*	12/2011	Nelson	.....	A47C 13/005 312/111

\* cited by examiner

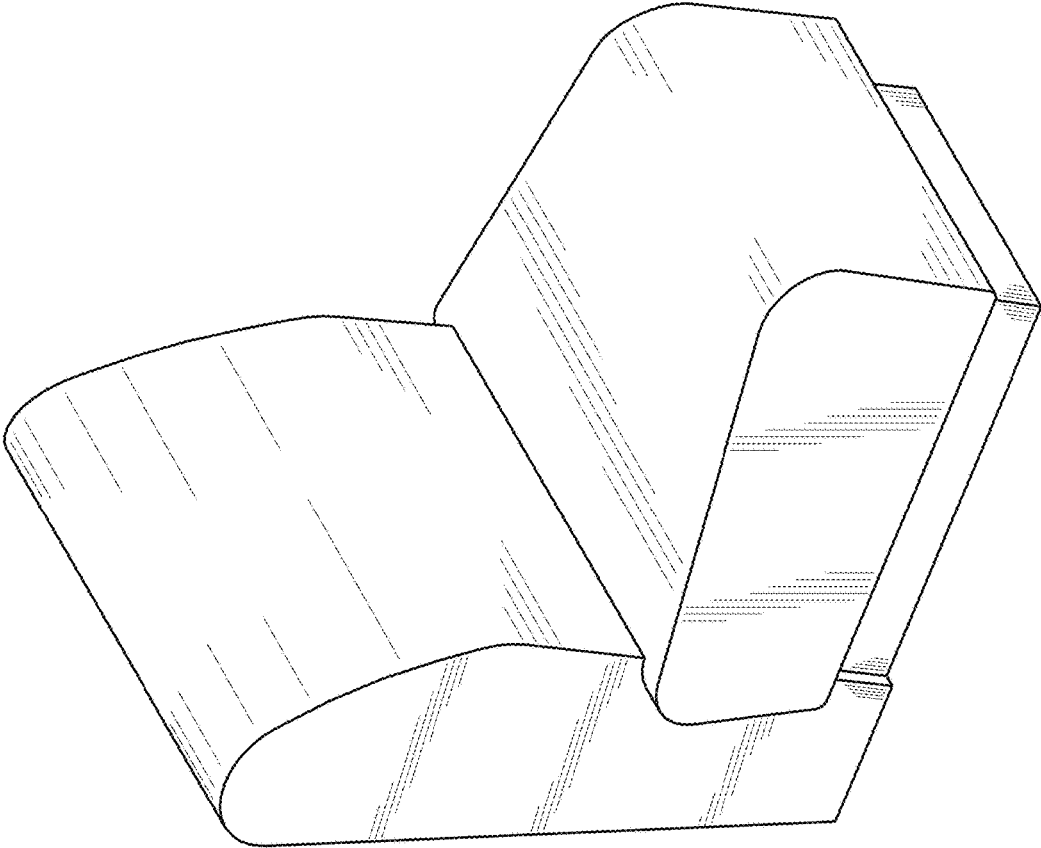


FIG. 1

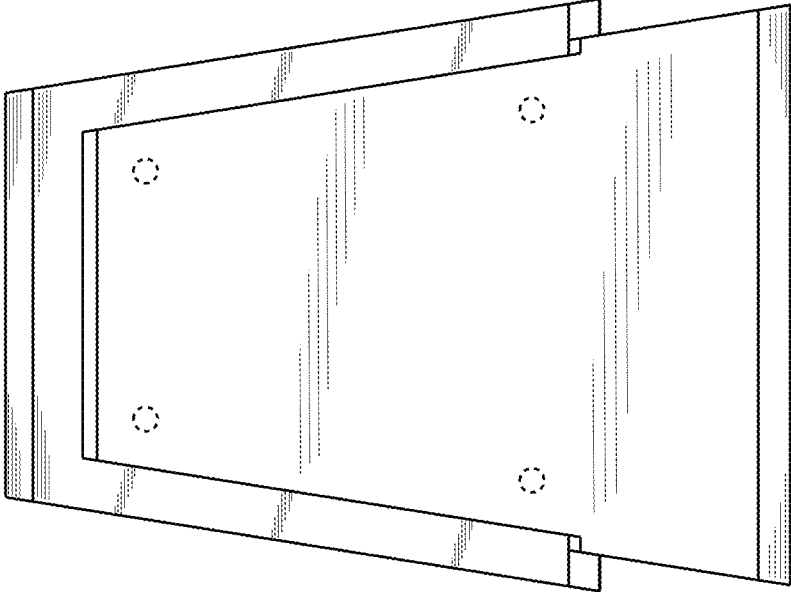


FIG. 2

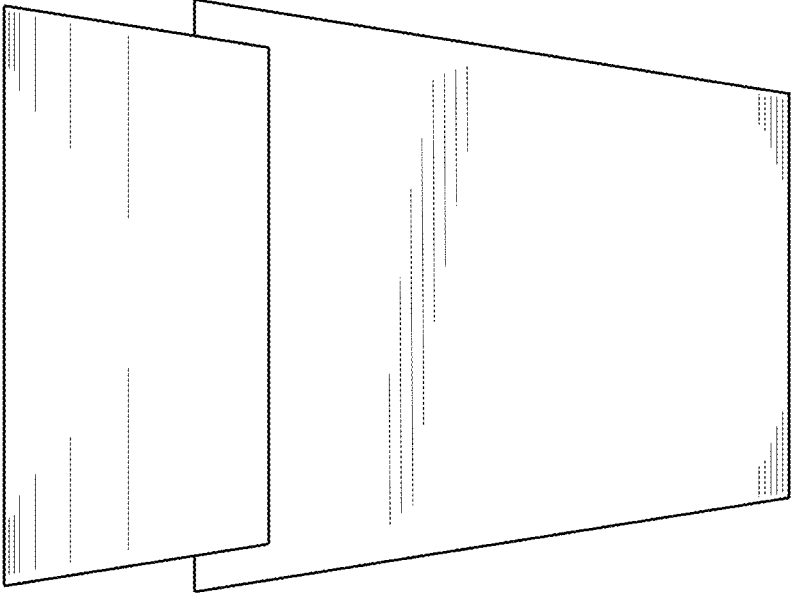


FIG. 3

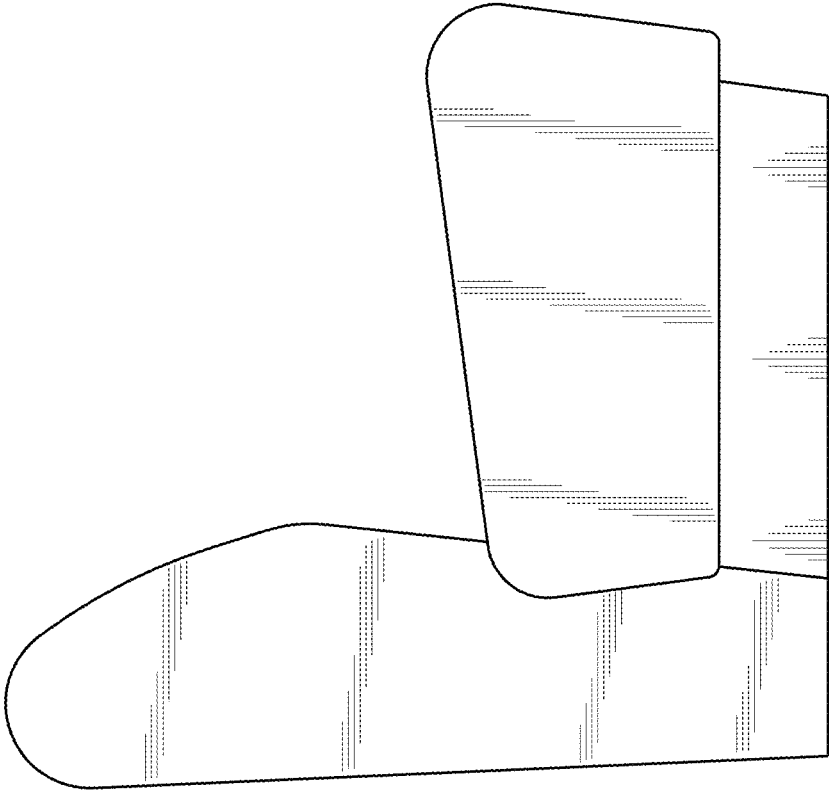


FIG. 4

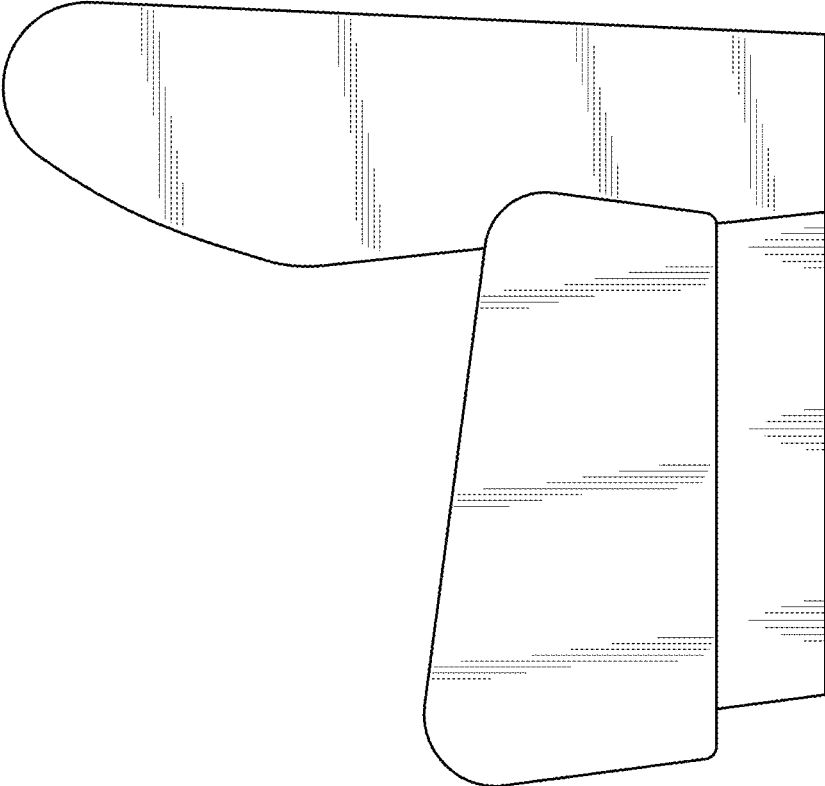


FIG. 5

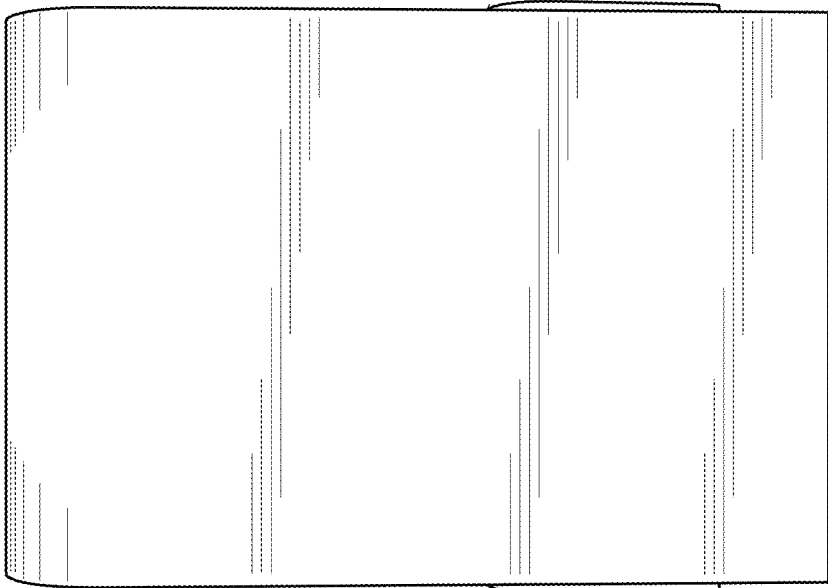


FIG. 7

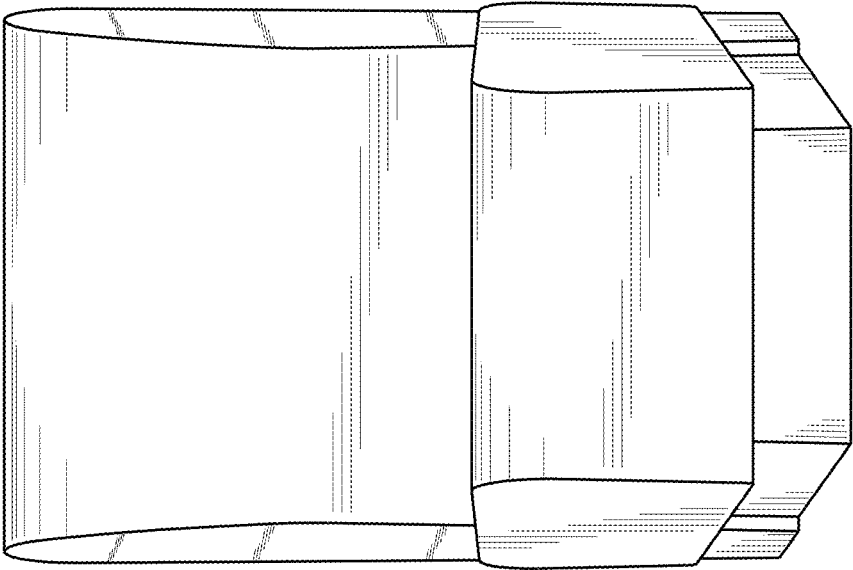


FIG. 6