



US00D463170S

(12) **United States Design Patent** (10) **Patent No.:** **US D463,170 S**
Schultz (45) **Date of Patent:** **** Sep. 24, 2002**

(54) **WORKSURFACE EDGE PIECE**
(75) Inventor: **Craig H. Schultz**, Muscatine, IA (US)
(73) Assignee: **HON Technology Inc.**, Muscatine, IA (US)
(**) Term: **14 Years**
(21) Appl. No.: **29/142,918**
(22) Filed: **Jun. 5, 2001**
(51) **LOC (7) Cl.** **06-06**
(52) **U.S. Cl.** **D6/491; D8/403**
(58) **Field of Search** D6/480-489, 511, D6/491; 248/345.1; D8/402, 403; 312/137; 108/153.1, 155, 156, 157.1, 161, 27; D25/119

(56) **References Cited**
U.S. PATENT DOCUMENTS
3,869,106 A * 3/1975 Gregov 248/345.1
D411,739 S * 6/1999 Havens D8/403
6,019,336 A * 2/2000 Havens 248/345.1
6,116,162 A * 9/2000 Santa Cruz et al. 108/27

6,214,436 B1 * 4/2001 Catta et al. 248/345.1 X
* cited by examiner
Primary Examiner—Janice E. Seeger
(74) *Attorney, Agent, or Firm*—Jones, Day, Reavis & Pogue

(57) **CLAIM**
The ornamental design for a worksurface edge piece, as shown and described.

DESCRIPTION
FIG. 1 is a front perspective view of a worksurface edge piece showing my new design;
FIG. 2 is a top view thereof;
FIG. 3 is a front view thereof;
FIG. 4 is a bottom view thereof;
FIG. 5 is a rear view thereof; and,
FIG. 6 is an end view, the opposite end view being a mirror image thereof.
The broken line showing is for environmental purposes only and does not form a part of the design.

1 Claim, 1 Drawing Sheet

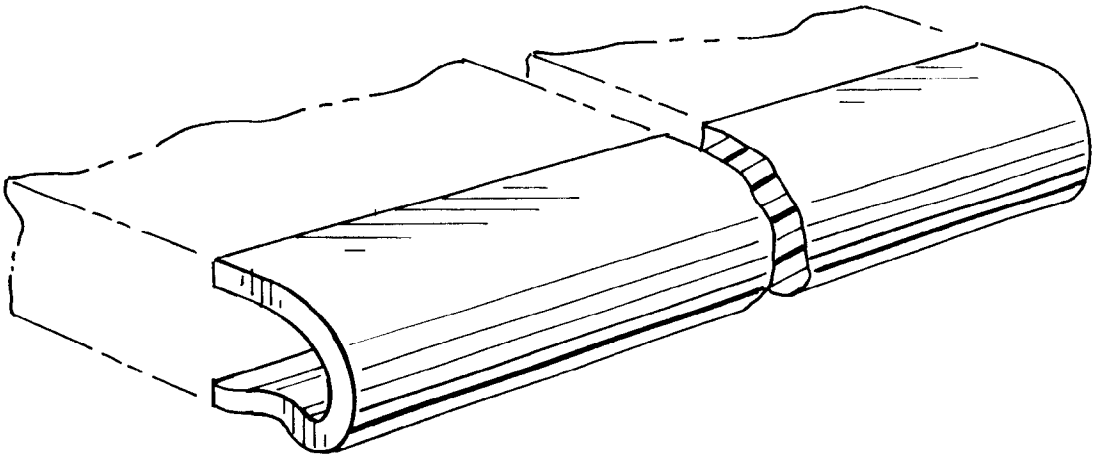


FIG. 1

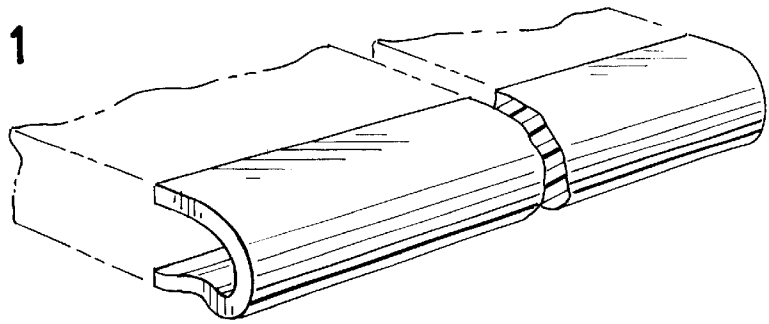


FIG. 2

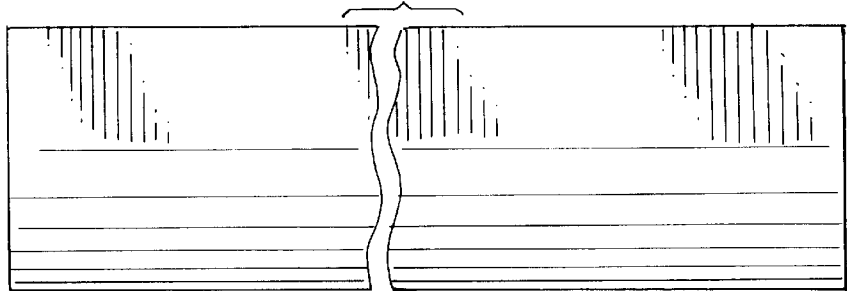


FIG. 3

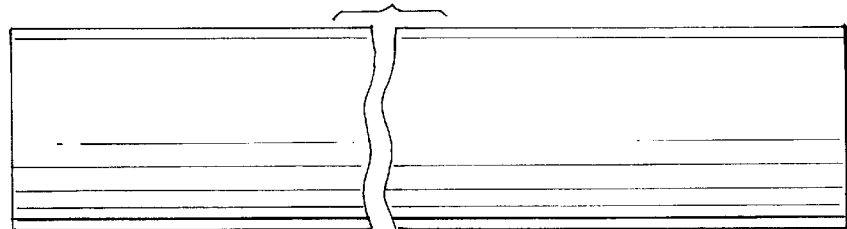


FIG. 4

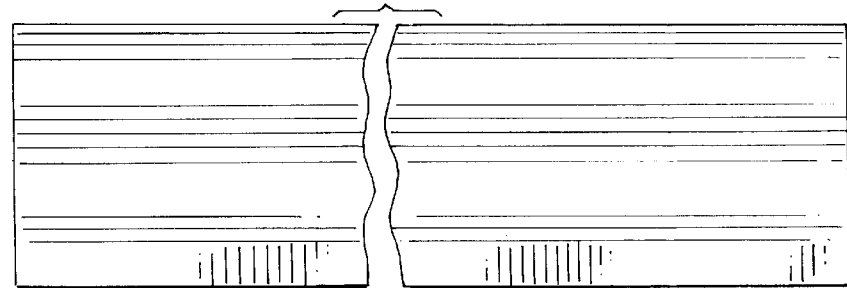


FIG. 5

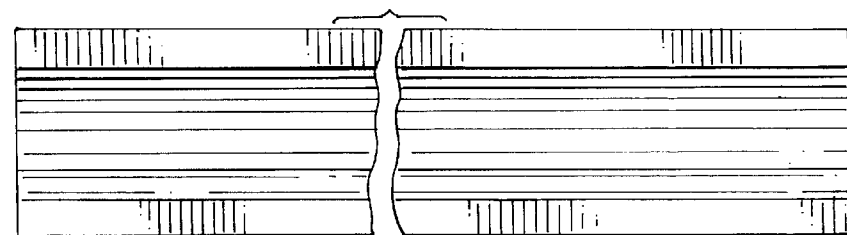


FIG. 6

