



US0D1024968S

(12) **United States Design Patent**
Wang et al.

(10) **Patent No.:** **US D1,024,968 S**

(45) **Date of Patent:** **** Apr. 30, 2024**

(54) **POWER CONNECTOR**

(71) Applicant: **Bizlink Electronic (Xiamen) Co., Ltd.**,
Fujian (CN)

(72) Inventors: **Xiangwu Wang**, Xiamen (CN);
Weiming Lin, Xiamen (CN)

(**) Term: **15 Years**

(21) Appl. No.: **29/845,515**

(22) Filed: **Jul. 8, 2022**

(51) **LOC (14) Cl.** **13-03**

(52) **U.S. Cl.**
USPC **D13/133**

(58) **Field of Classification Search**
USPC ... D13/118, 120, 123, 133, 137.1, 146, 147,
D13/149, 154, 173, 184, 199
CPC H01R 13/28; H01R 13/44; H01R 13/6456;
H01R 4/24; H01R 4/48; H01R 4/50;
H01R 9/05; H01R 12/00; H01R 13/432;
H01R 13/52; H01R 13/64; H01R 13/642;
H01R 13/648; H01R 13/6581; G02B 6/38
See application file for complete search history.

(56) **References Cited**

U.S. PATENT DOCUMENTS

D543,505 S * 5/2007 Wang D13/147
D626,073 S * 10/2010 Skidmore D13/146
D627,730 S * 11/2010 Huang D13/146
D627,731 S * 11/2010 Huang D13/146
D628,158 S * 11/2010 Skidmore D13/146
D691,561 S * 10/2013 York D13/133
D754,077 S * 4/2016 York D13/146

D754,609 S * 4/2016 York D13/146
D754,610 S * 4/2016 York D13/146
D756,930 S * 5/2016 York D13/146
2011/0250769 A1* 10/2011 Wang H01R 13/44
439/108
2023/0011560 A1* 1/2023 Wang H01R 13/514

FOREIGN PATENT DOCUMENTS

IN 222570 * 4/2009
IN 230087 * 7/2010

* cited by examiner

Primary Examiner — George D. Kirschbaum

Assistant Examiner — Denis Houyoux

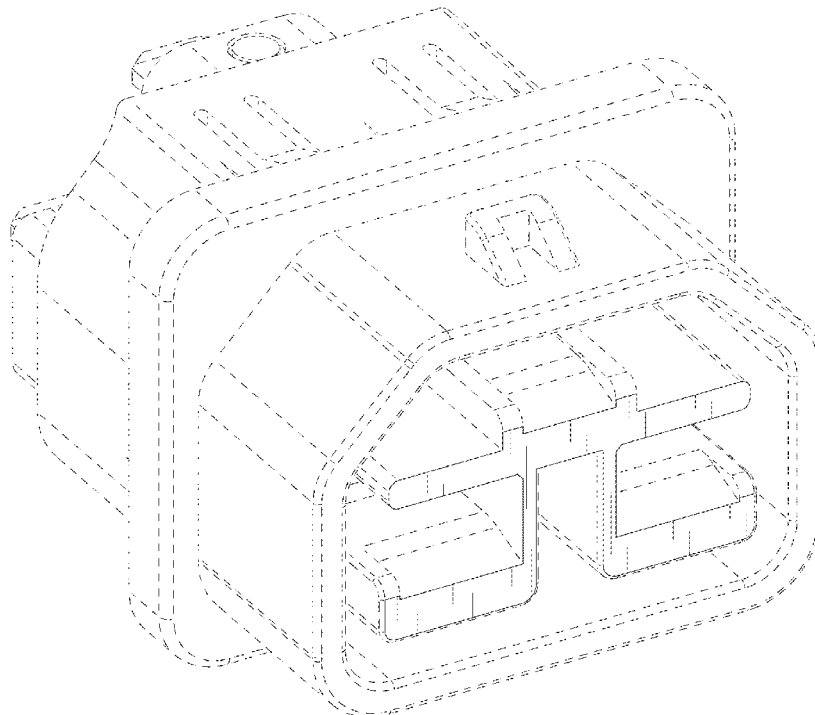
(57) **CLAIM**

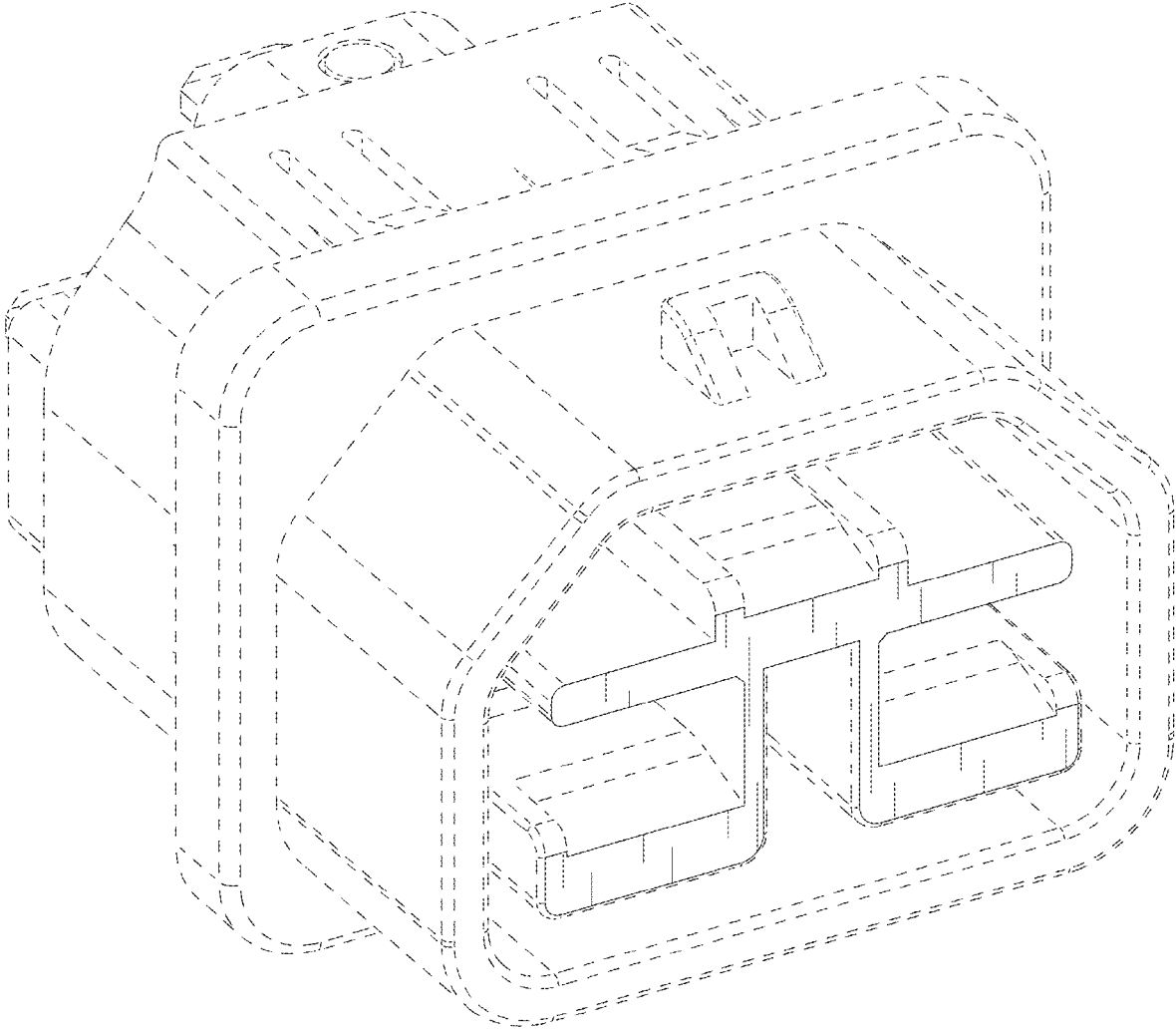
The ornamental design for a power connector, as shown and described.

DESCRIPTION

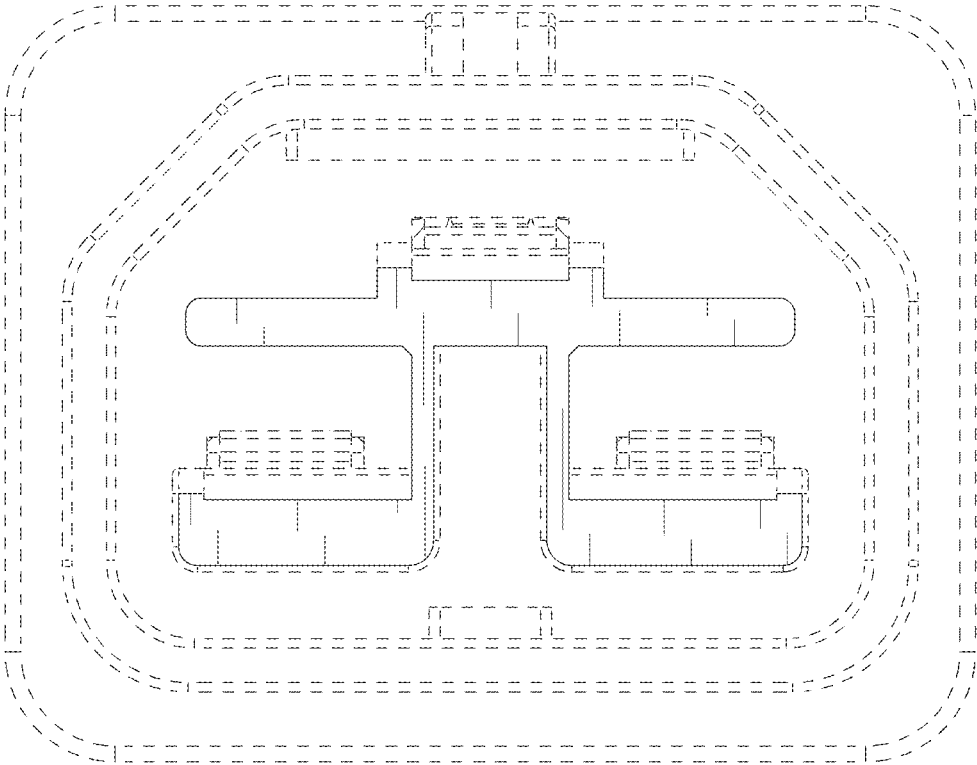
FIG. 1 is a perspective view of a power connector showing our present design;
FIG. 2 is a front view thereof;
FIG. 3 is a rear view thereof;
FIG. 4 is a left side view thereof;
FIG. 5 is a right side view thereof;
FIG. 6 is a top view thereof;
FIG. 7 is a bottom view thereof; and,
FIG. 8 is a bottom and right side perspective view thereof.
The broken lines in the drawings illustrate portions of the power connector which form no part of the claimed design.

1 Claim, 8 Drawing Sheets

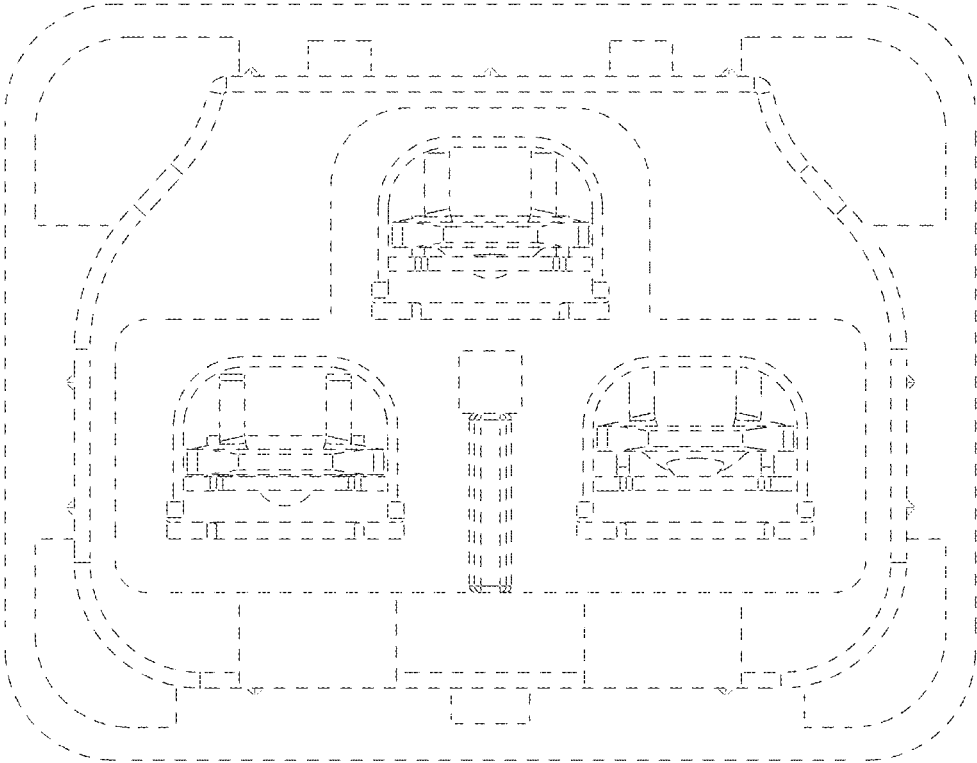




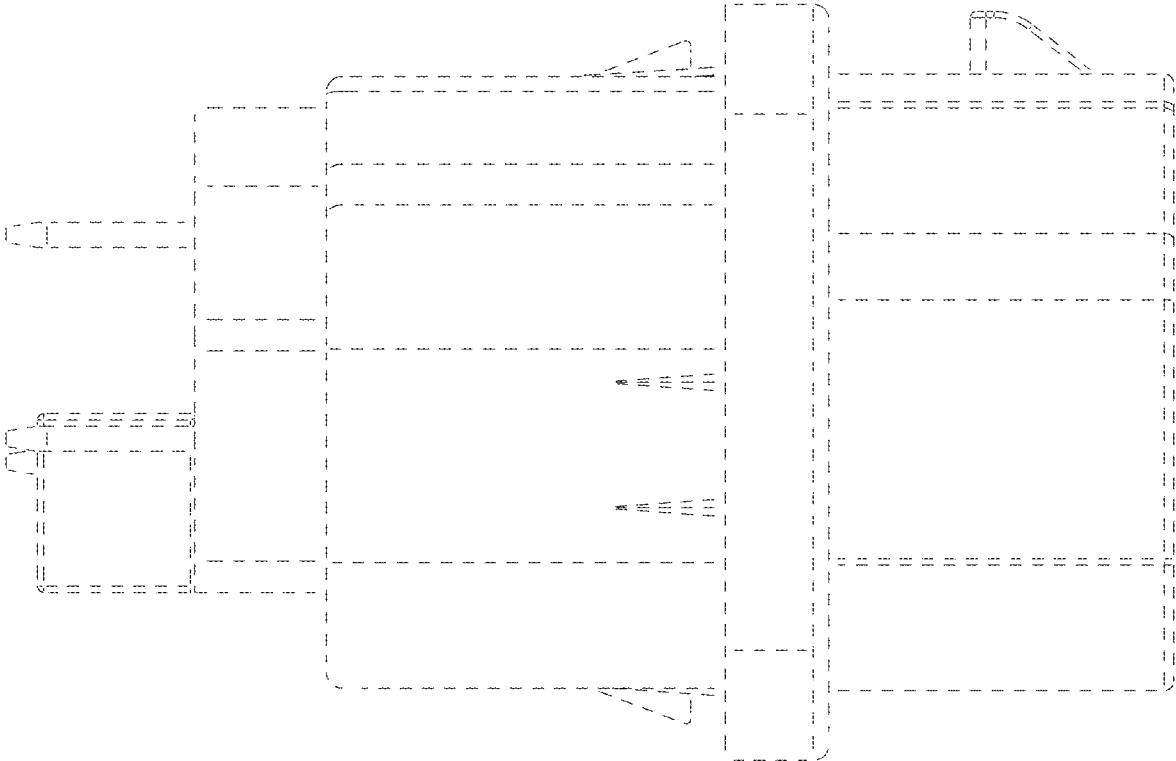
F I G . 1



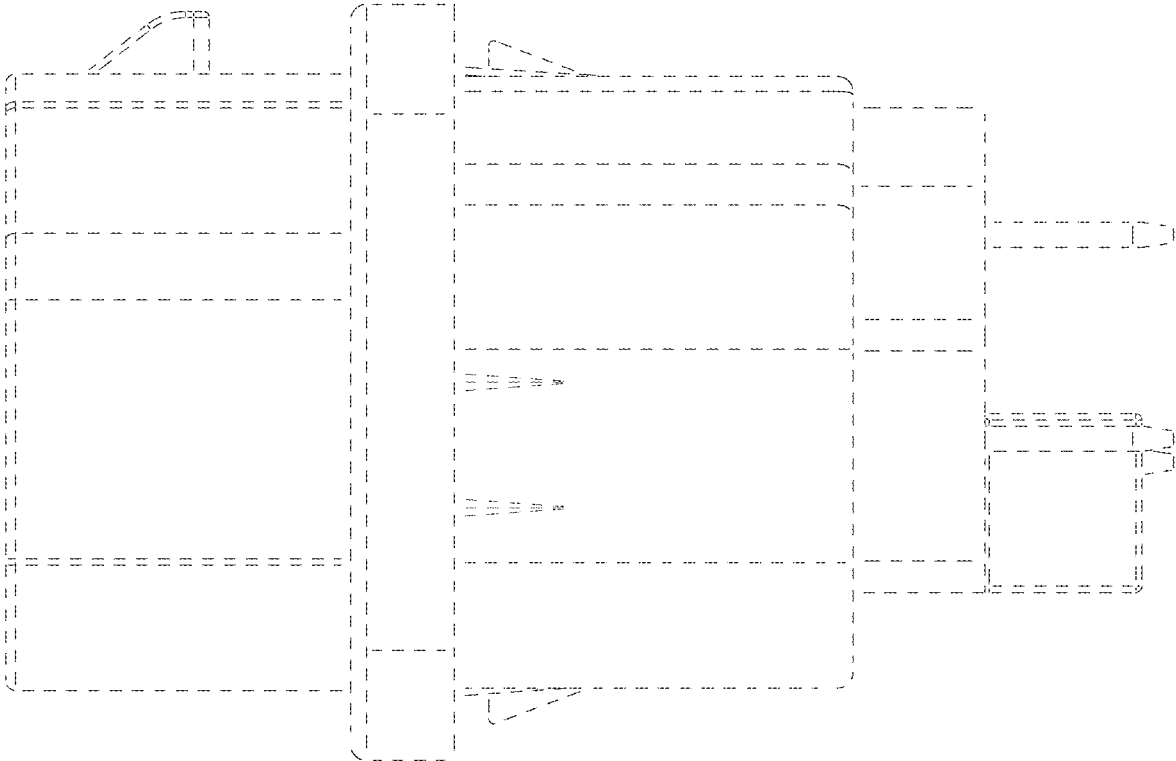
F I G. 2



F I G. 3



F I G . 4



F I G. 5

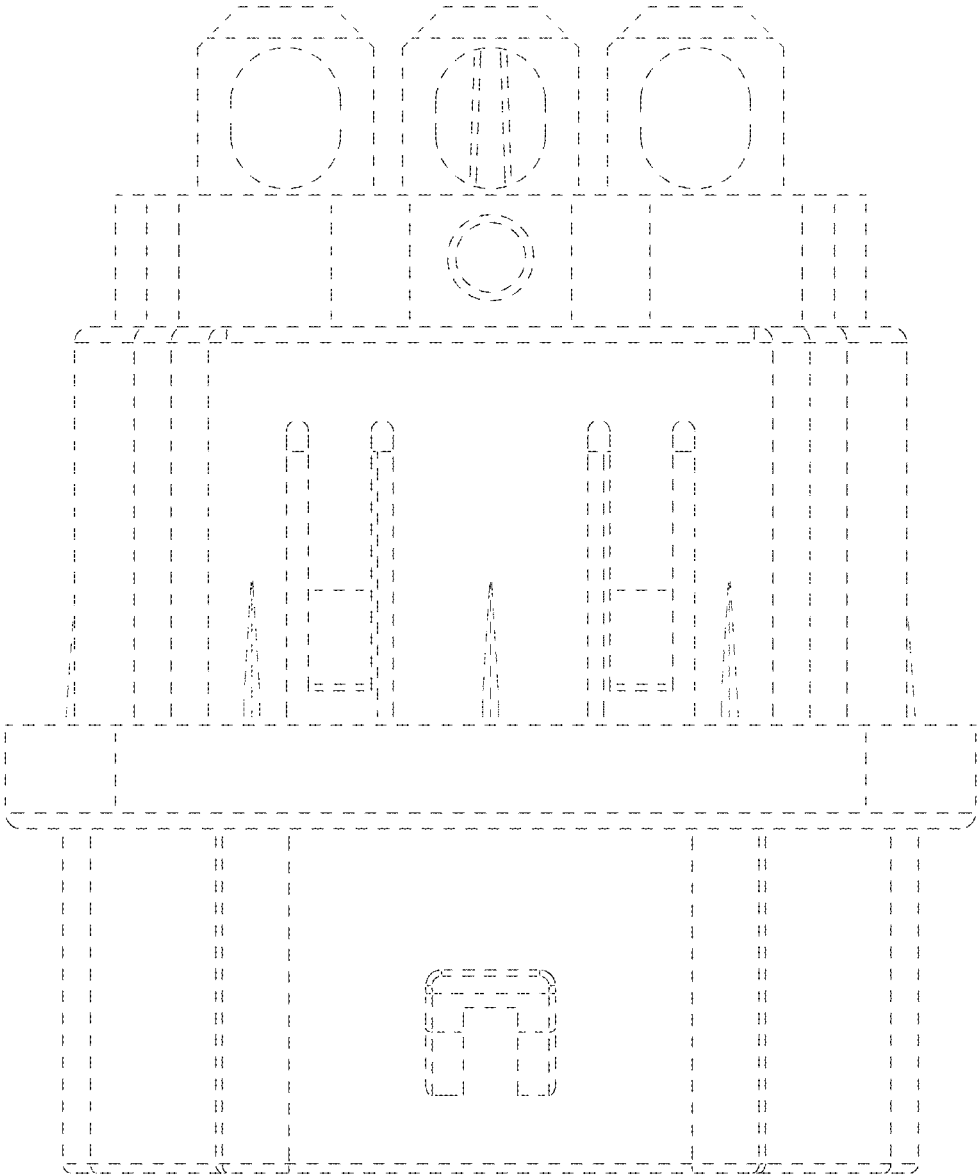


FIG. 6

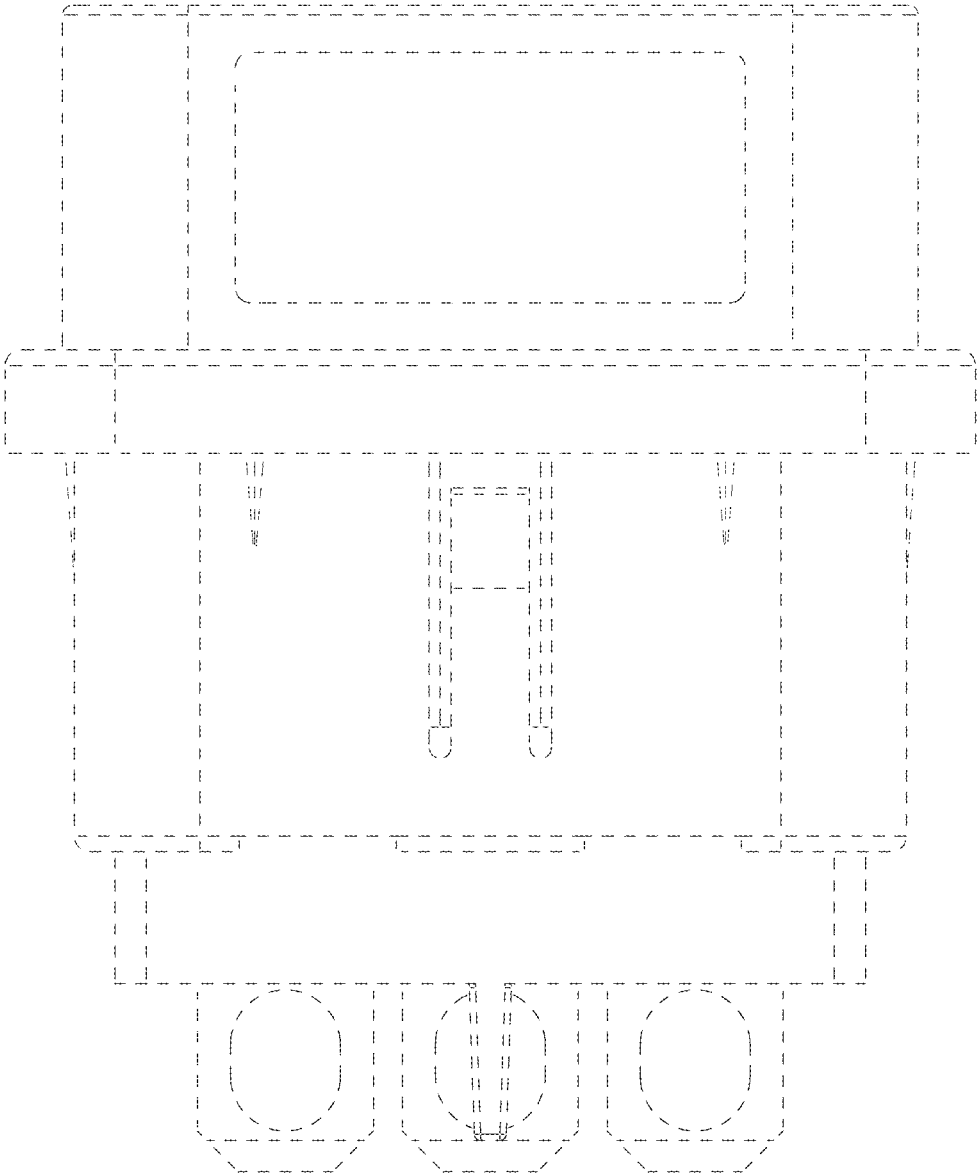
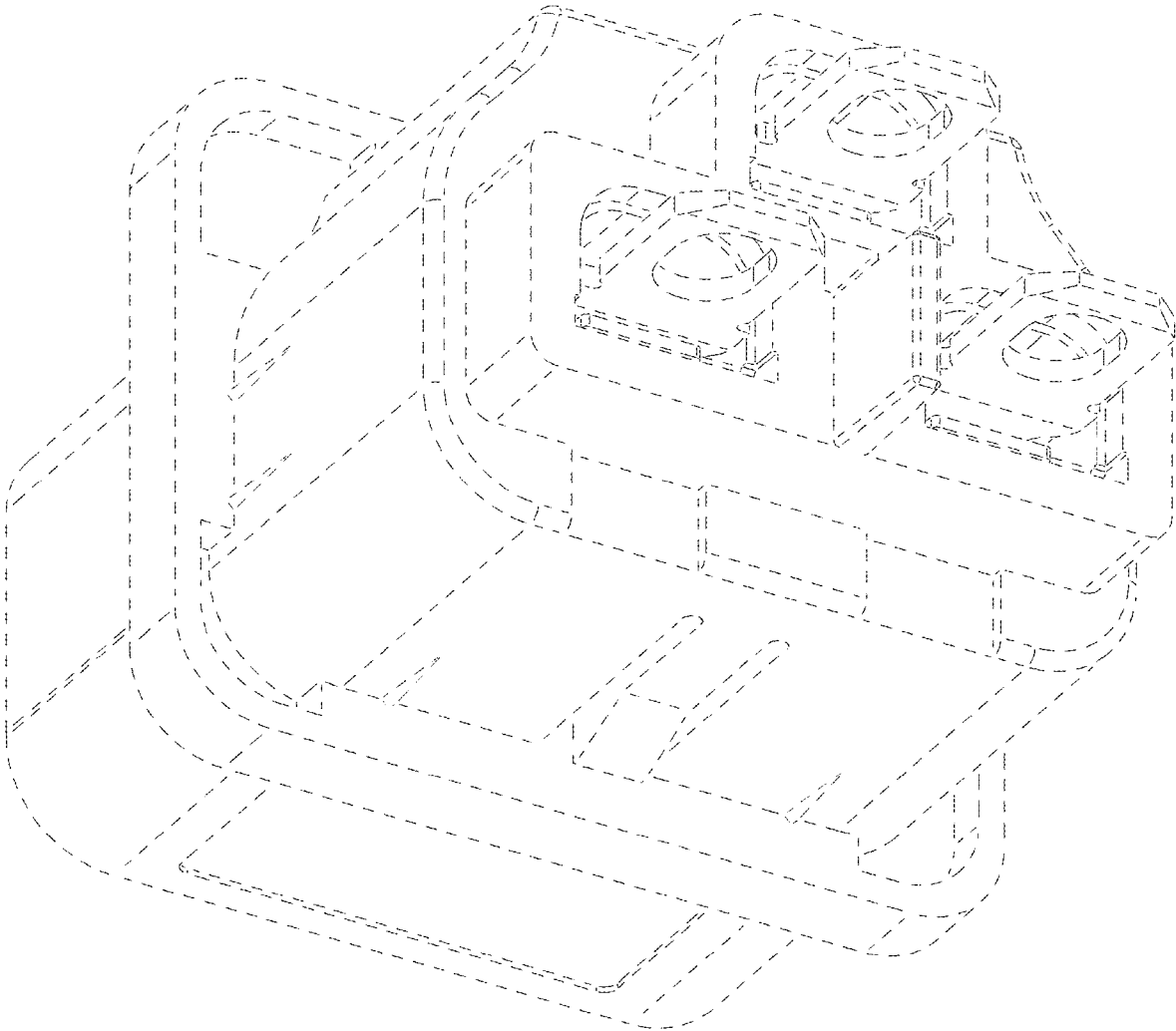


FIG. 7



F I G. 8