



US00D643512S

(12) **United States Design Patent**
Matsuura et al.

(10) **Patent No.:** **US D643,512 S**

(45) **Date of Patent:** **** Aug. 16, 2011**

(54) **FAUCET AND HANDLE SET**

(75) Inventors: **Touichirou Matsuura**, Tokoname (JP);
Kensaku Oshiro, Mirano (IT)

(73) Assignee: **LIXIL Corporation**, Tokyo (JP)

(**) Term: **14 Years**

(21) Appl. No.: **29/367,486**

(22) Filed: **Aug. 9, 2010**

(30) **Foreign Application Priority Data**

Feb. 10, 2010 (JP) 2010-002997

(51) **LOC (9) Cl.** **23-01**

(52) **U.S. Cl.** **D23/238**

(58) **Field of Classification Search** D23/238,
D23/241-243, 250, 252, 255, 257; 4/676-678;
137/801

See application file for complete search history.

(56) **References Cited**

U.S. PATENT DOCUMENTS

D526,388	S	*	8/2006	Haug et al.	D23/238
D602,121	S	*	10/2009	Yabe et al.	D23/238
D603,481	S	*	11/2009	Zetsche et al.	D23/242
D608,863	S	*	1/2010	Pan	D23/255
D634,405	S	*	3/2011	Shieh	D23/242

OTHER PUBLICATIONS

HH15025430—JPO Design Division Publicly Known Material, Jan. 2004, 1 page.

* cited by examiner

Primary Examiner — Robert Delehanty

(74) *Attorney, Agent, or Firm* — Hamre, Schumann, Mueller & Larson, P.C.

(57) **CLAIM**

The ornamental design for a faucet and handle set, as shown and described.

DESCRIPTION

FIG. 1 is a perspective view of front, right and top plan of a faucet and handle set showing our new design;

FIG. 2 is a front view thereof;

FIG. 3 is a rear view thereof;

FIG. 4 is a top plan view thereof;

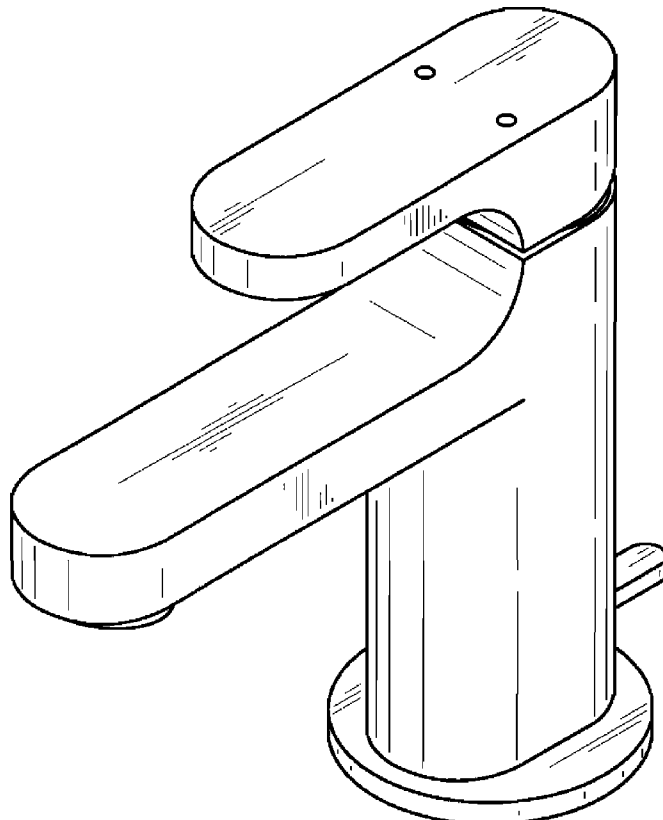
FIG. 5 is a bottom view thereof;

FIG. 6 is a right side view thereof; the left side view being mirror image thereof; and,

FIG. 7 is a cross sectional view at 7—7 in FIG. 6.

The portions of the article in broken lines are shown for illustrative purposes only and form no part of the claimed design.

1 Claim, 4 Drawing Sheets



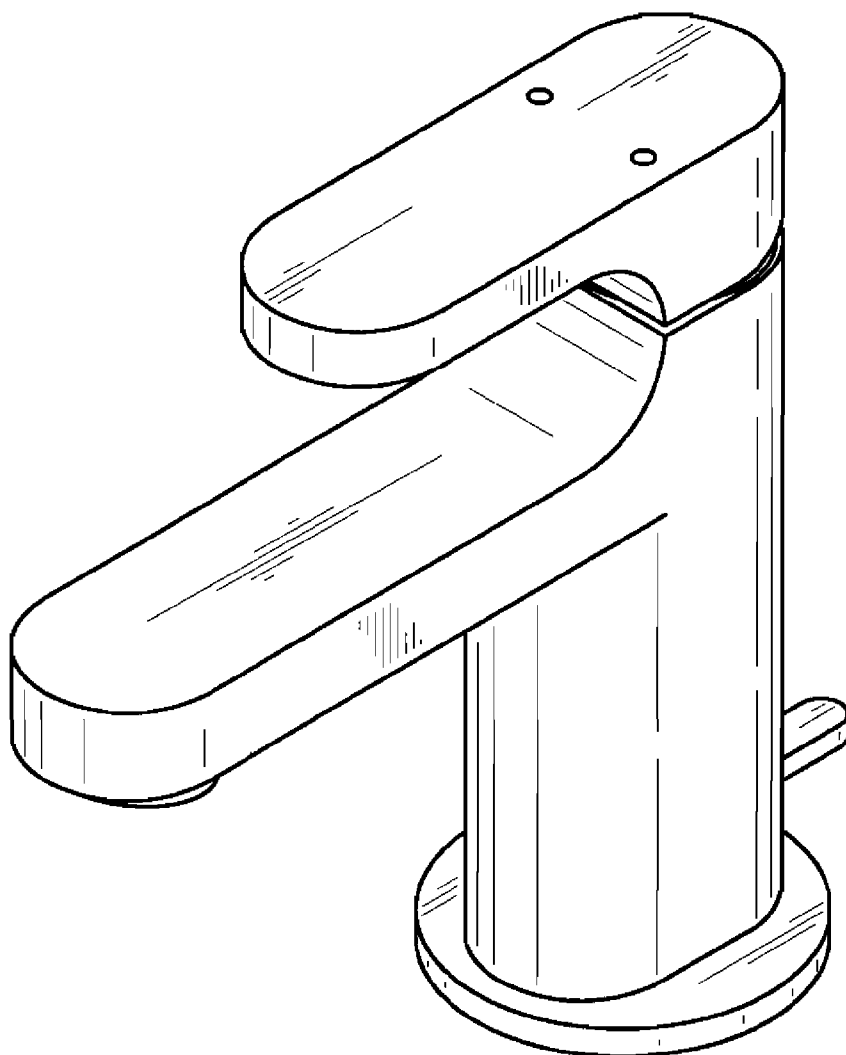


FIG. 1

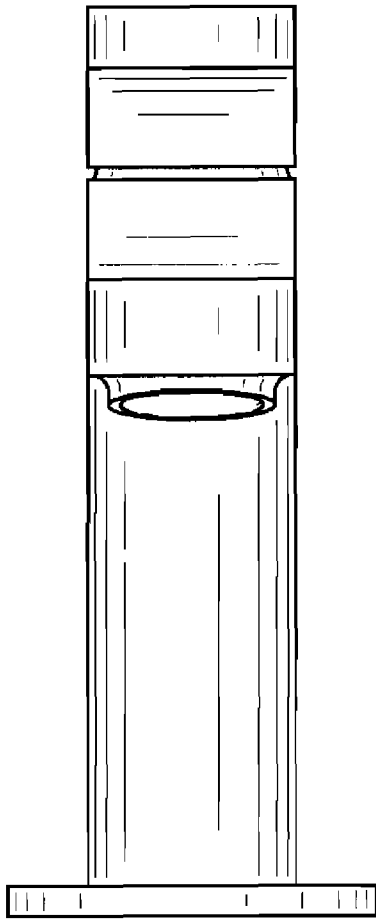


FIG. 2

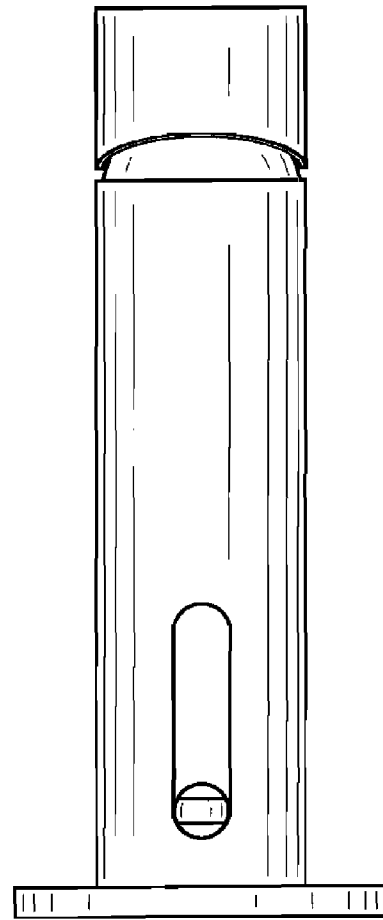


FIG. 3

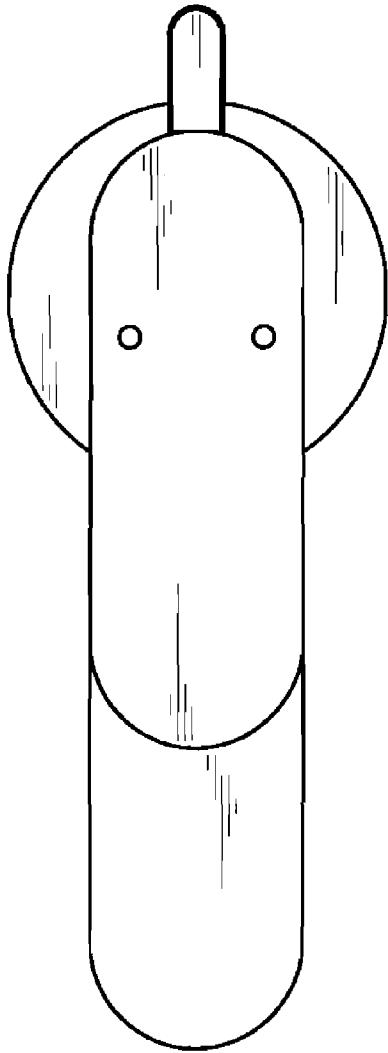


FIG. 4

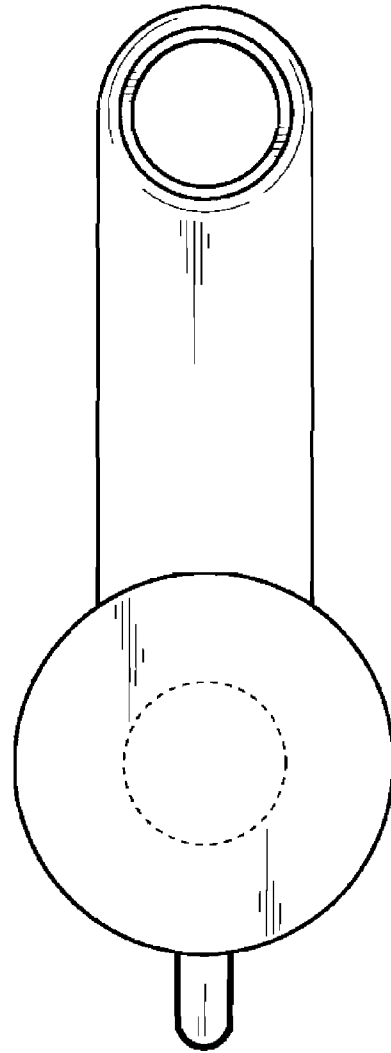


FIG. 5

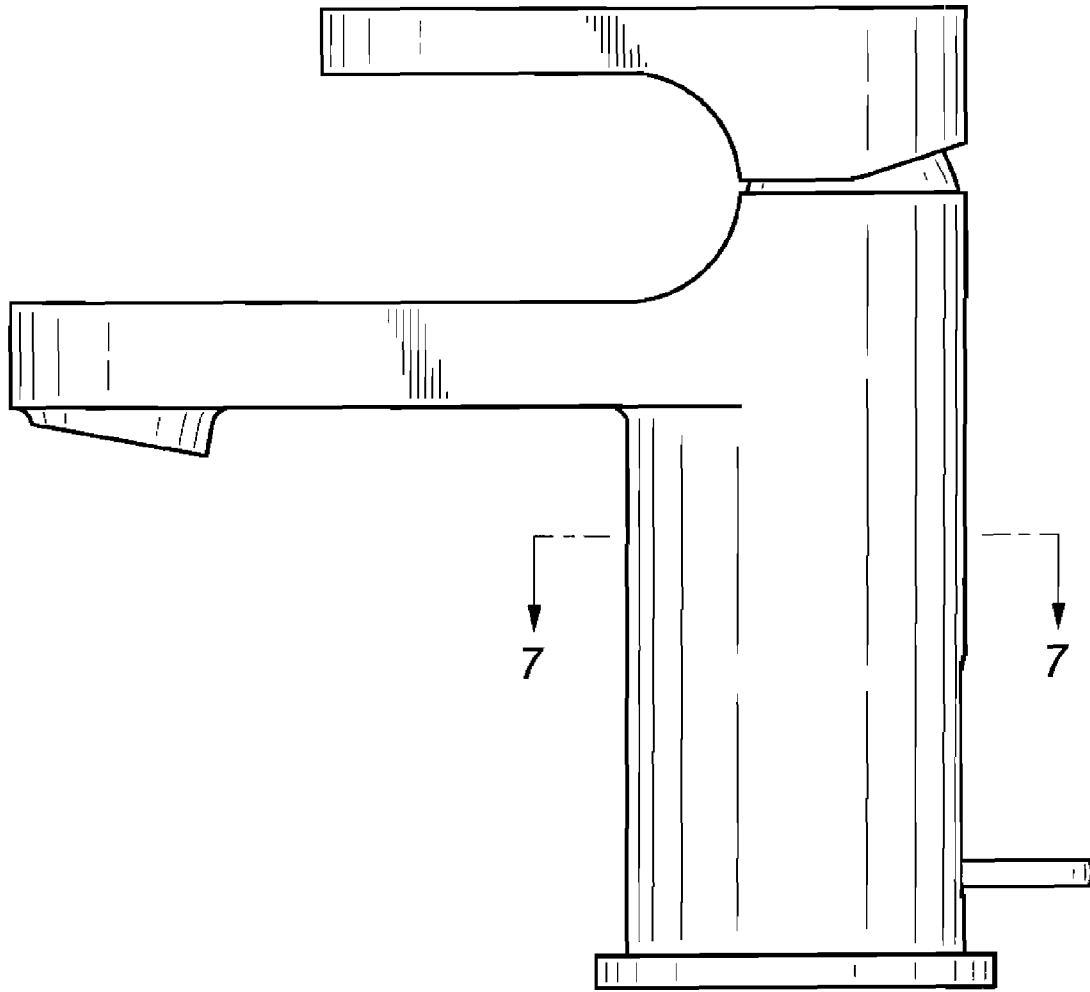


FIG. 6

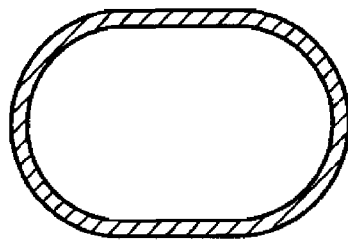


FIG. 7