



US00D996413S

(12) **United States Design Patent**
Kong

(10) **Patent No.:** **US D996,413 S**

(45) **Date of Patent:** **** Aug. 22, 2023**

(54) **PHONE CASE**

(71) Applicant: **Xiangkun Kong**, Mudanjiang (CN)

(72) Inventor: **Xiangkun Kong**, Mudanjiang (CN)

(**) Term: **15 Years**

(21) Appl. No.: **35/515,224**

(22) Filed: **Sep. 7, 2022**

(80) **Hague Agreement Data**

Int. Filing Date: **Sep. 7, 2022**

Int. Reg. No.: **DM/223425**

Int. Reg. Date: **Sep. 7, 2022**

Int. Reg. Pub. Date: **Sep. 23, 2022**

(51) **LOC (14) Cl.** **14-03**

(52) **U.S. Cl.**

USPC **D14/250**

(58) **Field of Classification Search**

USPC D14/203.3, 203.4, 203.5, 203.6, 203.7,
D14/439, 447, 217, 240, 248, 251, 252,
D14/253, 238.1, 440, 250; D13/103, 107,
D13/108, 119; D3/201, 218, 247, 249,
D3/269, 273, 301, 303

CPC A45C 11/00; A45C 1/06; A45C 13/02;
A45C 2011/002; A45C 13/002; A45F
2200/0525; A45F 2200/0516; A45F
2005/026; H04M 1/0283; H04M 1/0202;
H04B 1/3888

See application file for complete search history.

(56) **References Cited**

U.S. PATENT DOCUMENTS

D690,688 S * 10/2013 Bau D14/250
D703,650 S * 4/2014 Ehrlich D14/250
D710,346 S * 8/2014 Smith D14/250
D719,950 S * 12/2014 Smith D14/250
D737,276 S * 8/2015 Armstrong D14/440
9,661,116 B1 * 5/2017 Chung H04M 1/185

9,681,719 B2 * 6/2017 Ehrlich A45C 1/06
D816,653 S * 5/2018 Yu D14/250
D830,352 S * 10/2018 Chung D14/250
D831,630 S * 10/2018 Altschul D14/250
D844,597 S * 4/2019 Ahn D14/250
D854,023 S * 7/2019 Yang D14/440
D858,505 S * 9/2019 Zhang D13/103
D861,662 S * 10/2019 Ahn D14/250
D864,936 S * 10/2019 Chiang D3/247
D868,053 S * 11/2019 Gao D14/250
D869,453 S * 12/2019 Wilder D14/250
D870,091 S * 12/2019 Chen D14/250
D888,702 S * 6/2020 Yoon D14/250
D896,212 S * 9/2020 Wang D14/250

(Continued)

Primary Examiner — Carla J Wright

(57) **CLAIM**

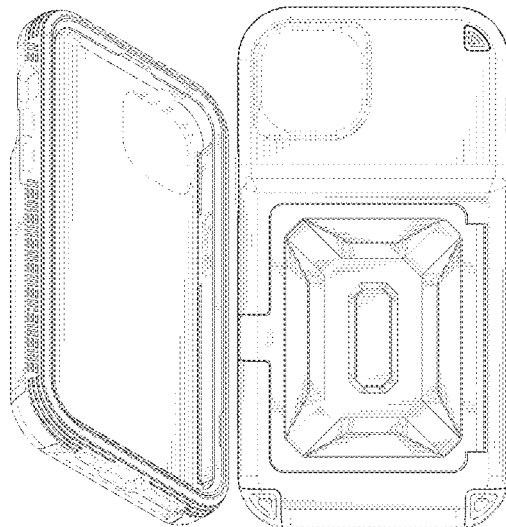
The ornamental design for a phone case, as shown and described.

DESCRIPTION

- 1. Phone case
- 1.1 : Perspective
- 1.2 : Perspective
- 1.3 : Front
- 1.4 : Back
- 1.5 : Left
- 1.6 : Right
- 1.7 : Top
- 1.8 : Bottom
- 1.9 : Enlarged
- 1.10 : Enlarged
- 1.11 : Perspective view in an open position

The parts shown by means of broken lines in the reproductions are not part of the claimed design; fig. 1.9 is an enlarged view of a portion labeled “9” in fig. 1.1; fig. 1.10 is an enlarged view of a portion labeled “10” in fig. 1.1; the dash dot dash lines in fig. 1.1, 1.9, 1.10 and the label “9”, “10” in fig. 1.1 are for the purpose of depicting the cut line of the enlarged view and form no part of the claimed design.

1 Claim, 11 Drawing Sheets



(56)

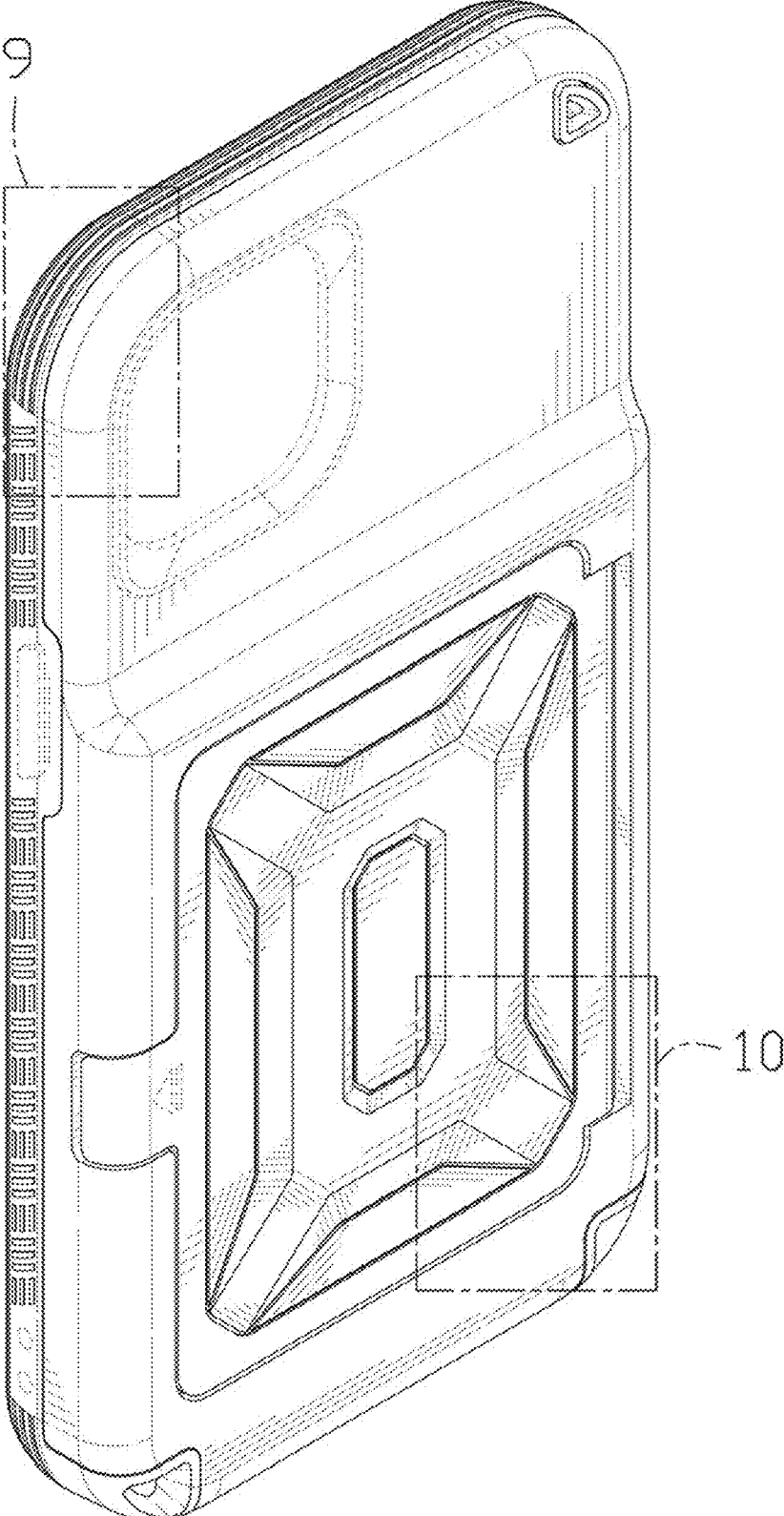
References Cited

U.S. PATENT DOCUMENTS

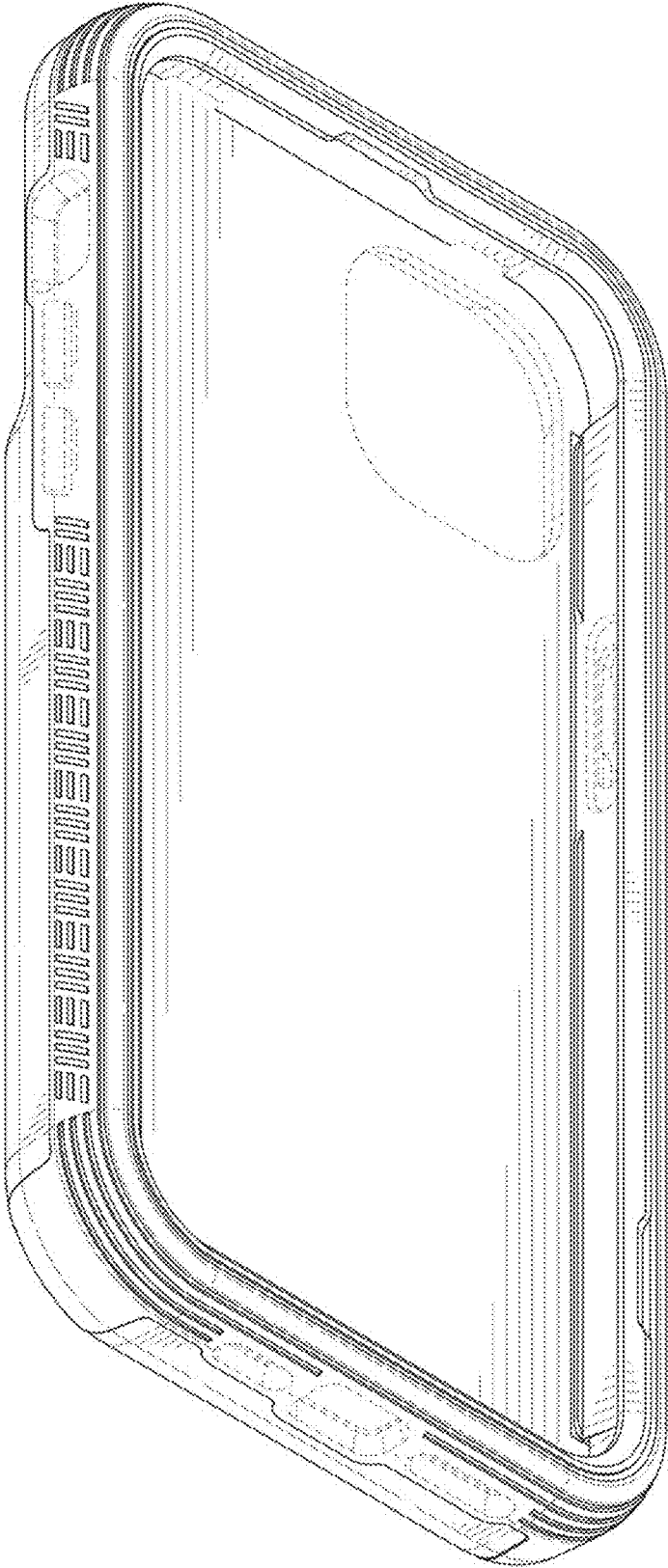
D898,015 S * 10/2020 Kwak D14/250
D899,414 S * 10/2020 Koo D14/250
D905,677 S * 12/2020 Kim D14/250
D908,674 S * 1/2021 Kim D14/250
D914,007 S * 3/2021 Yoon D14/250
D925,514 S * 7/2021 Chung D14/250
D926,739 S * 8/2021 Akana D13/103
D930,639 S * 9/2021 Hurt D14/250
D933,643 S * 10/2021 Liao D14/250
D934,220 S * 10/2021 Chen D3/249
11,175,699 B2 * 11/2021 Kim A45C 11/00
D947,828 S * 4/2022 Bai D14/250
D961,598 S * 8/2022 Wang D14/440
D976,249 S * 1/2023 Liu D14/341
2015/0141082 A1 * 5/2015 Ehrlich H04B 1/3888
455/575.1
2017/0155415 A1 * 6/2017 Yan H04M 1/0202

* cited by examiner

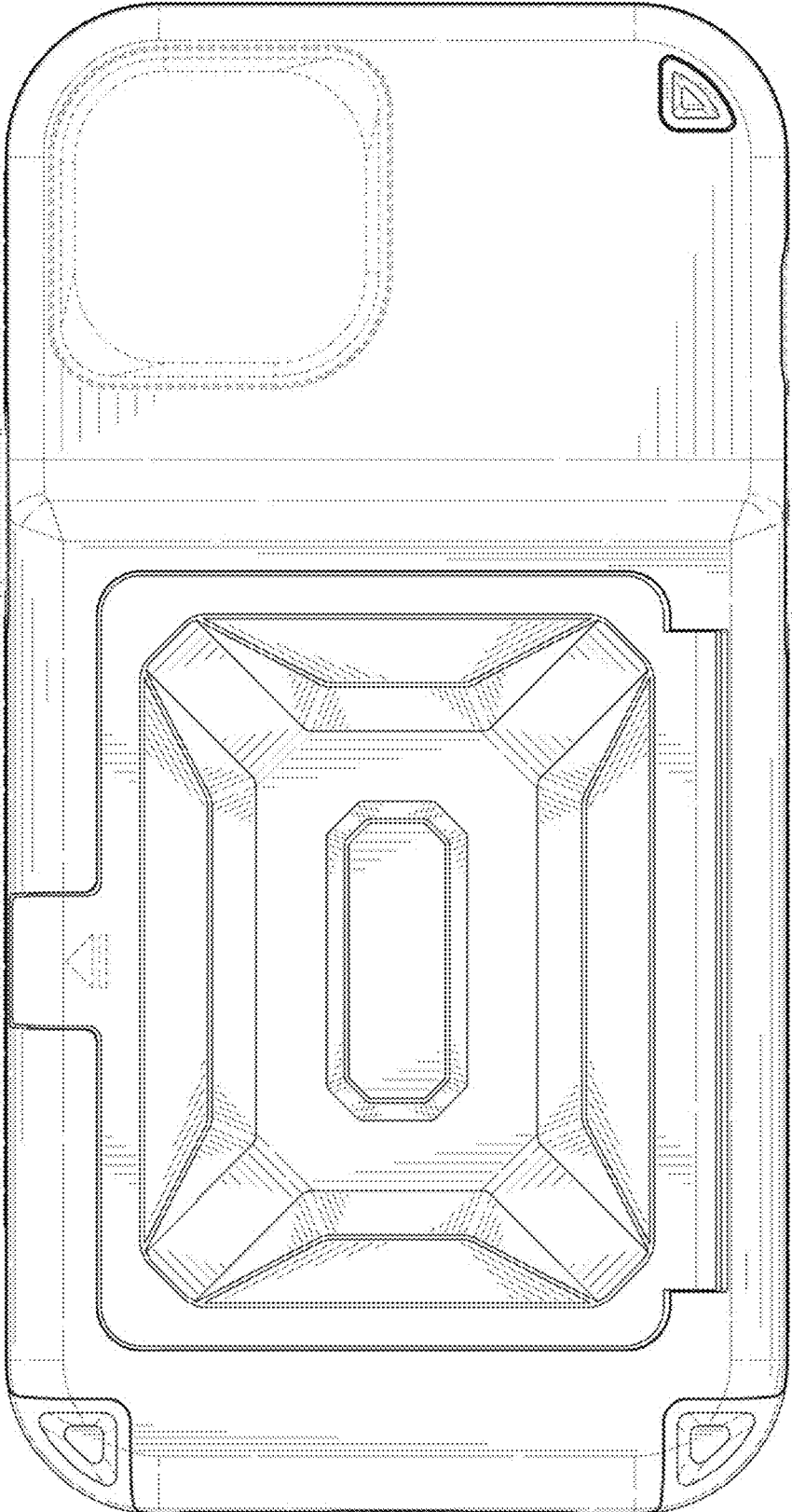
1.1



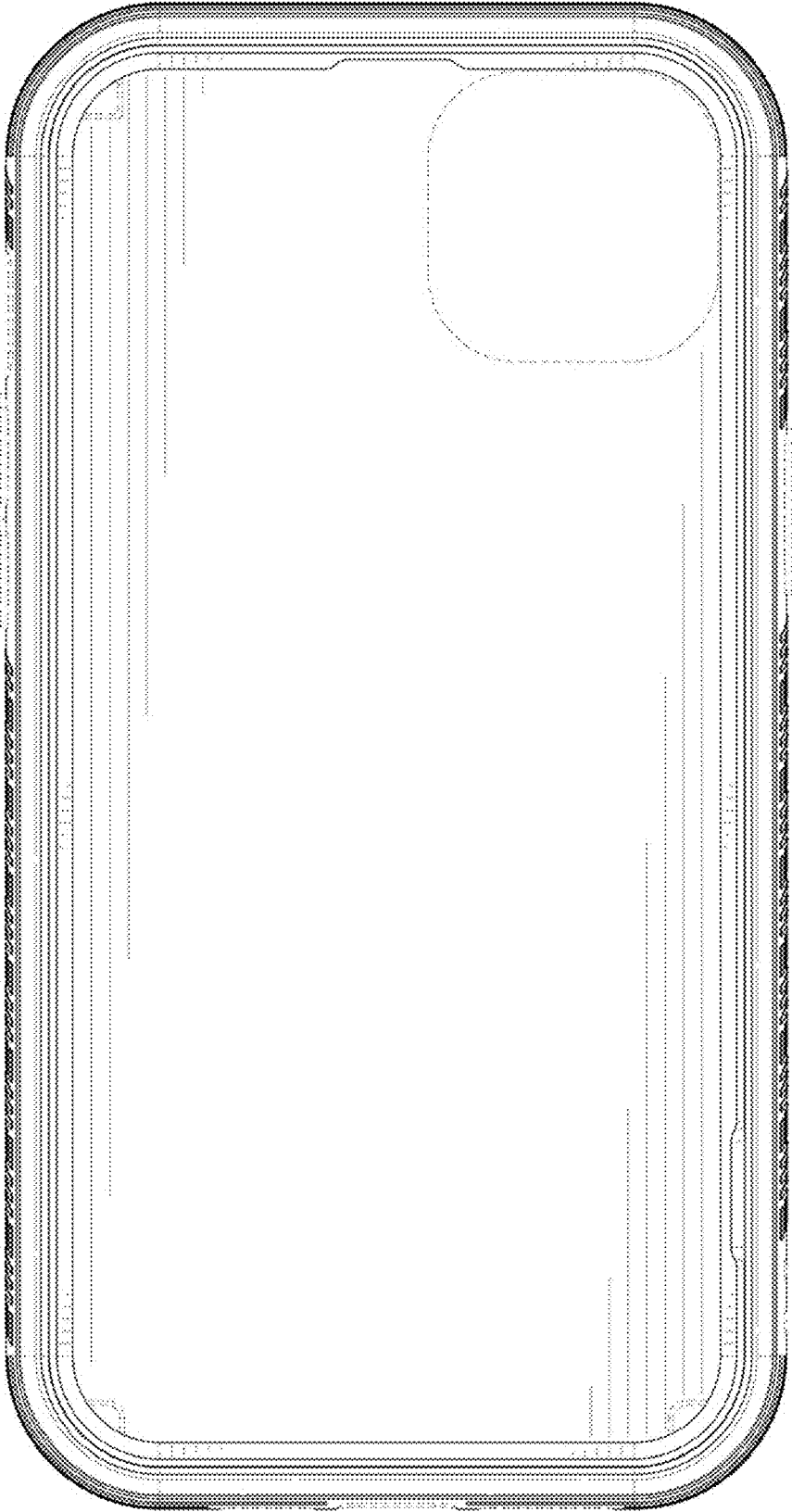
1.2



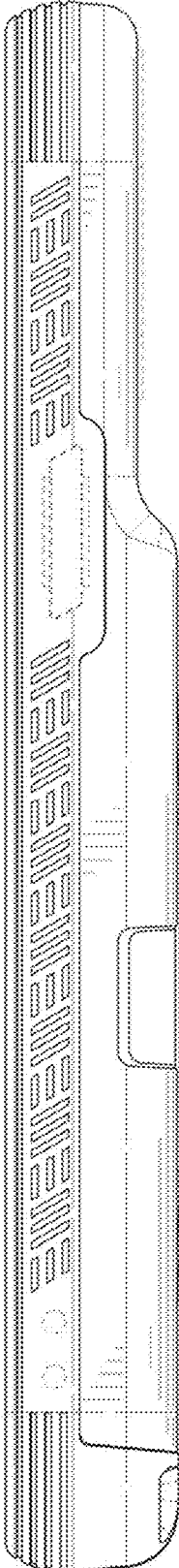
1.3



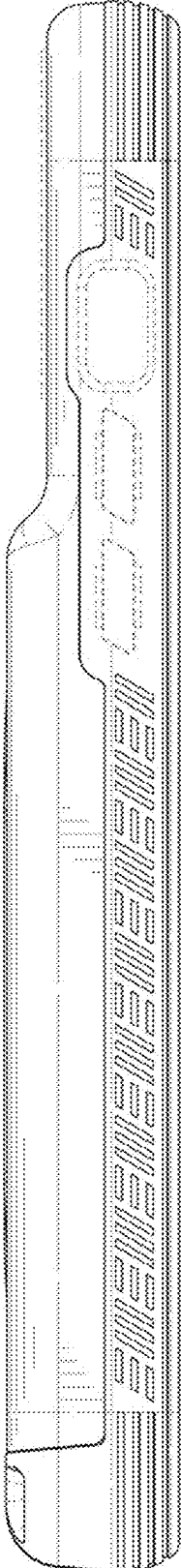
1.4



1.5



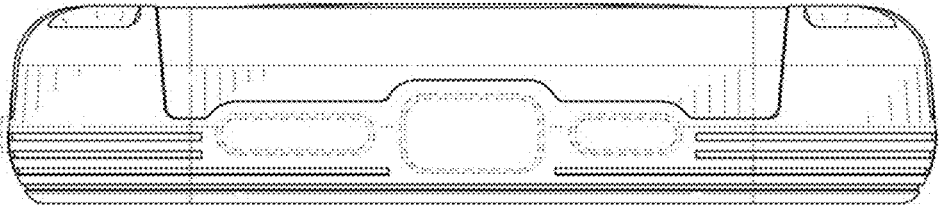
1.6



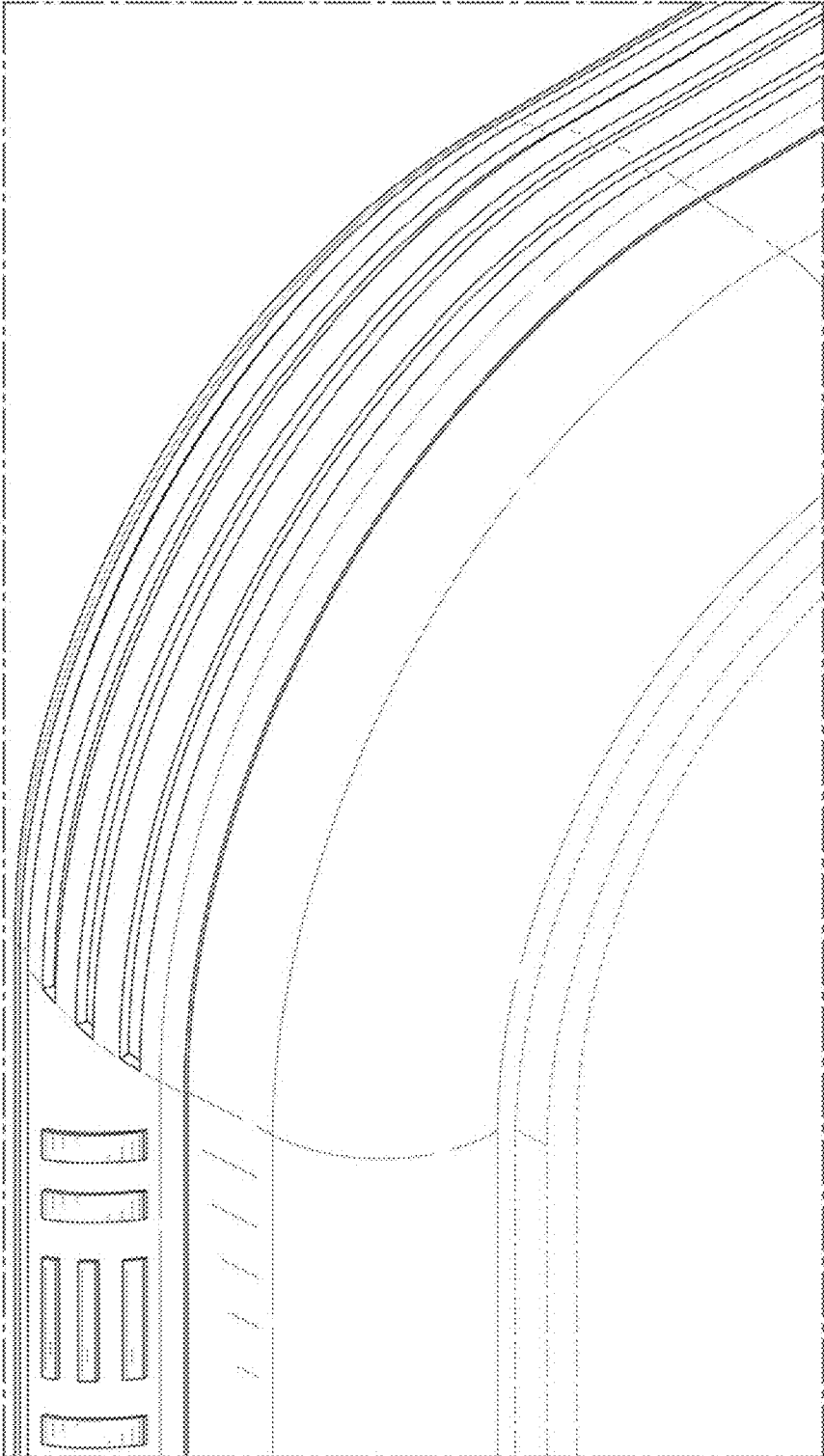
1.7



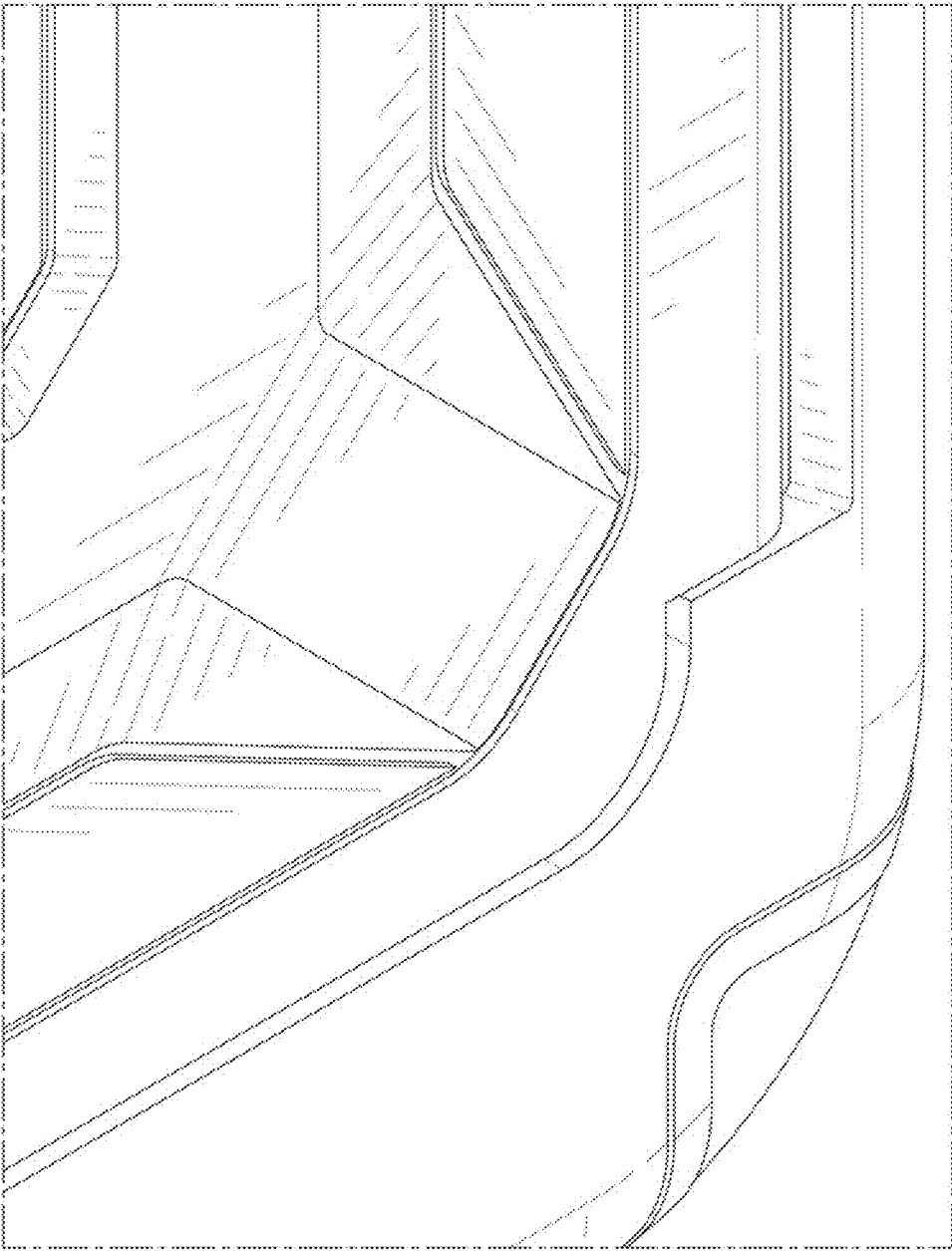
1.8



1.9



1.10



1.11

