



(12) **United States Design Patent**
Kuppert et al.

(10) **Patent No.:** **US D933,161 S**
(45) **Date of Patent:** **** Oct. 12, 2021**

- (54) **SHOWER HEAD**
- (71) Applicant: **Grohe AG**, Hemer (DE)
- (72) Inventors: **Christoph Kuppert**, Cologne (DE);
Patrick de Arins Speck, London (GB)
- (73) Assignee: **Grohe AG**, Hemer (DE)
- (**) Term: **15 Years**
- (21) Appl. No.: **29/741,733**
- (22) Filed: **Jul. 15, 2020**
- (30) **Foreign Application Priority Data**

D849,191 S * 5/2019 Cocks D23/213
 D908,188 S * 1/2021 Seum D23/213
 D926,928 S * 8/2021 Zhang D23/213
 D927,638 S * 8/2021 Cocks D23/213

OTHER PUBLICATIONS

Bright Showers Rain Shower Head with Handheld Spray 5 ft. Shower Hose Combo, Jan. 3, 2018, Amazon.com, Aug. 12, 2021. URL: <https://www.amazon.com/dp/B078SK3SFF> (Year: 2018).*
 Hansgrohe Croma Select E 7-inch Showerhead Premium Modern 2-Spray Rain, Jul. 22, 2015, Amazon.com, Aug. 12, 2021. URL: <https://www.amazon.com/Hansgrohe-26528821-Showerhead-gallons-Brushed/dp/B012BKO7GY> (Year: 2015).*

(Continued)

Primary Examiner — Jack Reickel
Assistant Examiner — Keith J Wilson
 (74) *Attorney, Agent, or Firm* — Muncy, Geissler, Olds & Lowe, P.C.

- Jan. 15, 2020 (EM) 007515713-0002
- (51) **LOC (13) Cl.** **23-01**
- (52) **U.S. Cl.**
USPC **D23/213**
- (58) **Field of Classification Search**
USPC D23/213, 214, 215, 222, 223, 224, 226,
D23/229, 230
CPC A61H 9/0021; A61H 33/00; B05B 1/00;
B05B 1/14; B05B 1/185; B05B 1/08;
B05B 1/02; B05B 1/26; B05B 12/002;
B05B 1/18; B05B 9/01
See application file for complete search history.

(57) **CLAIM**

The ornamental design for a shower head, as shown and described.

DESCRIPTION

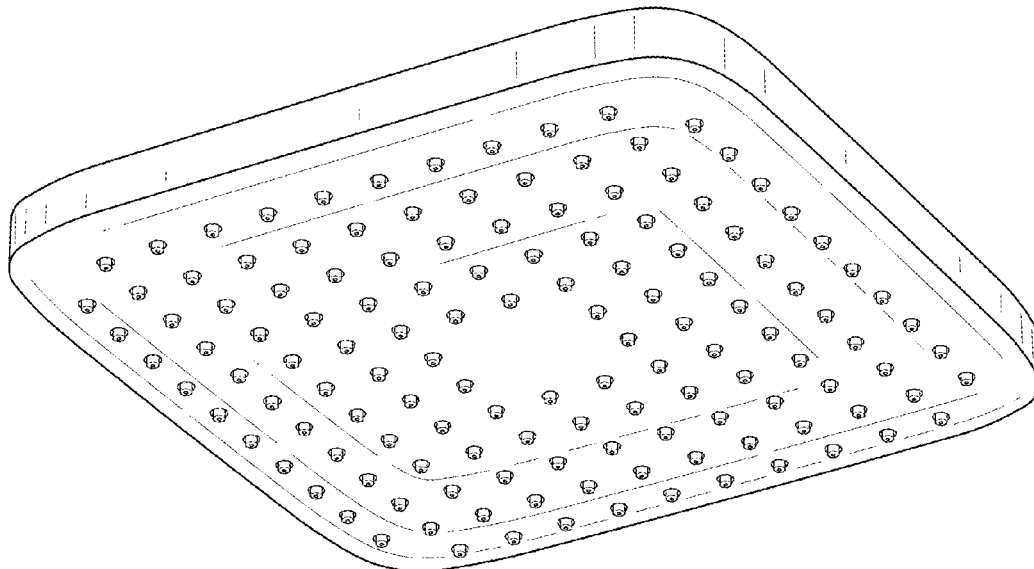
FIG. 1 is a front perspective view of a shower head according to the present invention.
 FIG. 2 is a front view of the shower head of FIG. 1.
 FIG. 3 is a rear view of the shower head of FIG. 1.
 FIG. 4 is a left side view of the shower head of FIG. 1.
 FIG. 5 is a right side view of the shower head of FIG. 1.
 FIG. 6 is a top view of the shower head of FIG. 1; and,
 FIG. 7 is a bottom view of the shower head of FIG. 1.
 The broken lines shown represent portions of a shower head and form no part of the claimed design.

(56) **References Cited**

U.S. PATENT DOCUMENTS

- D531,260 S * 10/2006 Luo D23/213
- D604,803 S * 11/2009 Schoenherr D23/213
- D645,540 S * 9/2011 Fritz D23/213
- D658,269 S * 4/2012 Schoenherr D23/213
- D713,496 S * 9/2014 Schoenherr D23/213
- D744,610 S * 12/2015 Citterio D23/213
- D757,895 S * 5/2016 Schoenherr D23/213
- D758,532 S * 6/2016 Schoenherr D23/213
- D791,277 S * 7/2017 Eads D23/213

1 Claim, 7 Drawing Sheets



(56)

References Cited

OTHER PUBLICATIONS

Delta 52690-SS Showerhead, Stainless, Oct. 31, 2014, Amazon.com, Aug. 12, 2021, Amazon.com, Aug. 12, 2021 https://www.amazon.com/dp/B00P2T5S8I/ref=sbl_dp_x_B012BKO7GY_0 (Year: 2014).*

DreamSpa Ultra-Luxury 9" Rainfall Shower Head/Handheld Combo, Mar. 21, 2016, Amazon.com, Aug. 12, 2021. URL: <https://www.amazon.com/Ultra-Luxury-Convenient-Push-Button-one-handed-operation/dp/B019NCXIKE> (Year: 2016).*

* cited by examiner

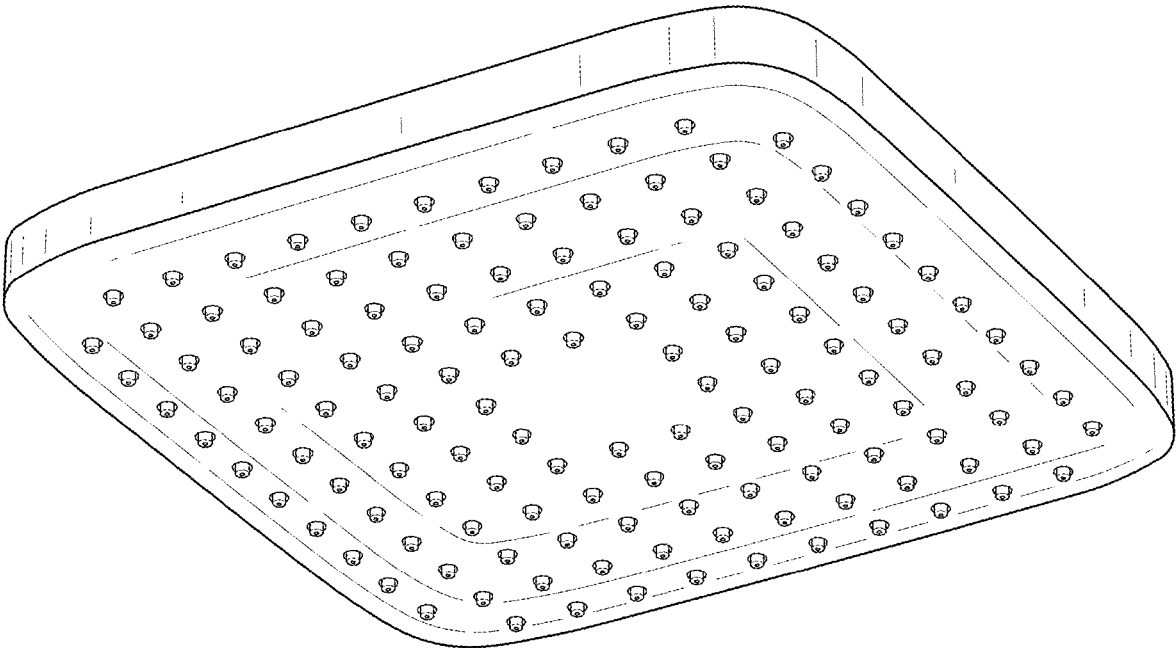


FIG.1

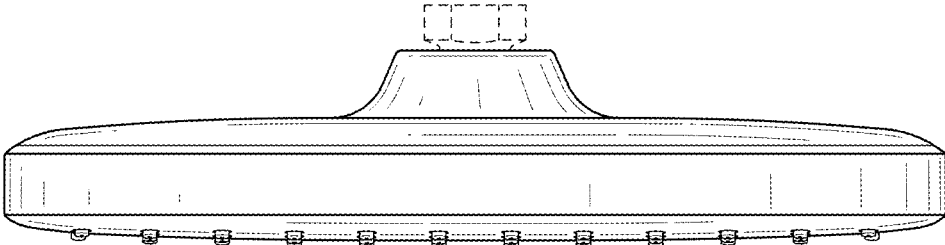


FIG.2

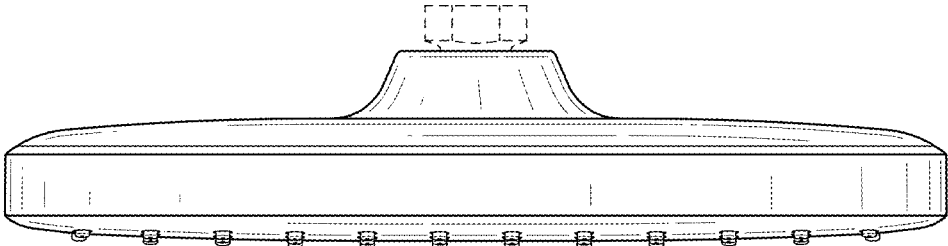


FIG.3

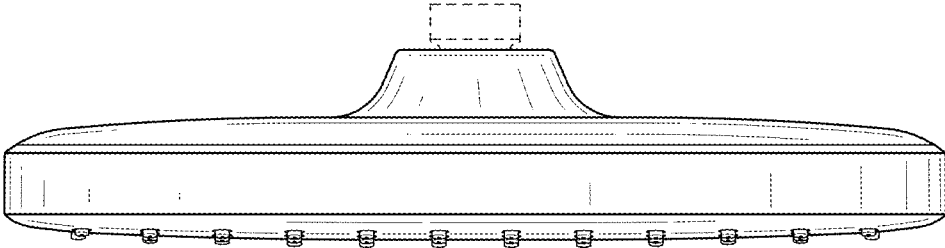


FIG.4

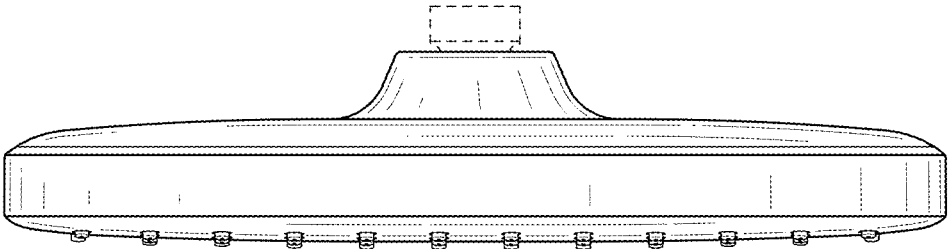


FIG.5

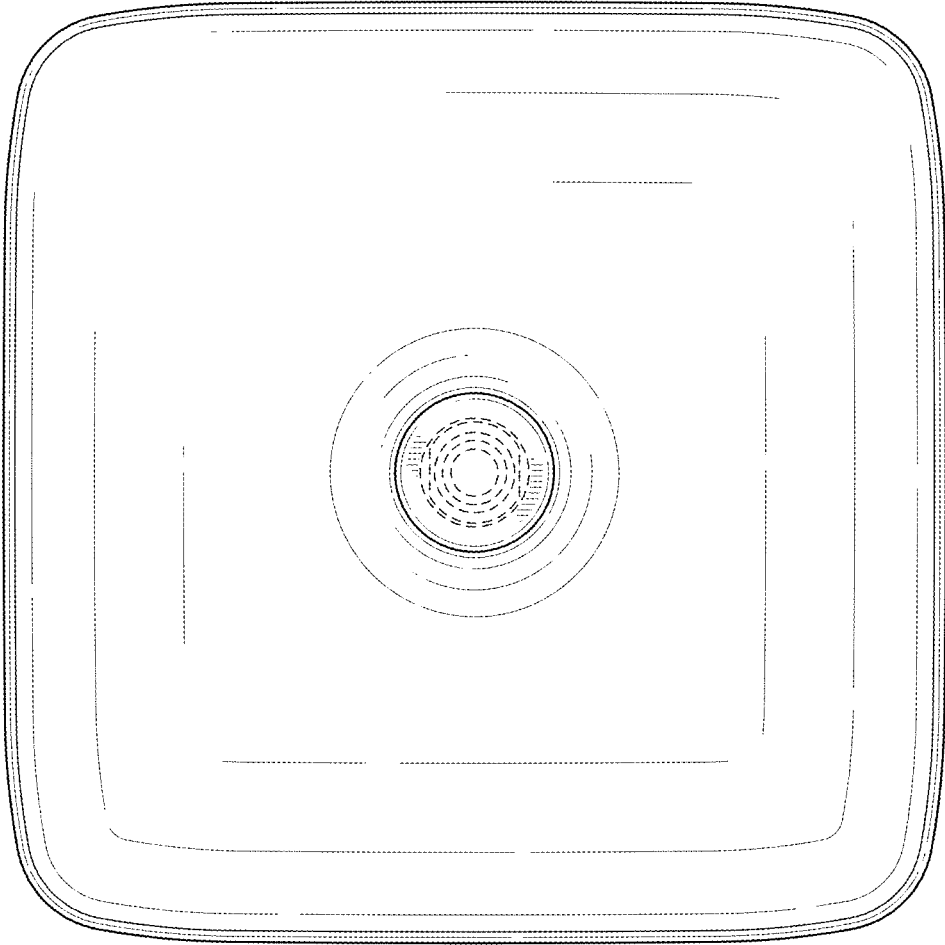


FIG.6

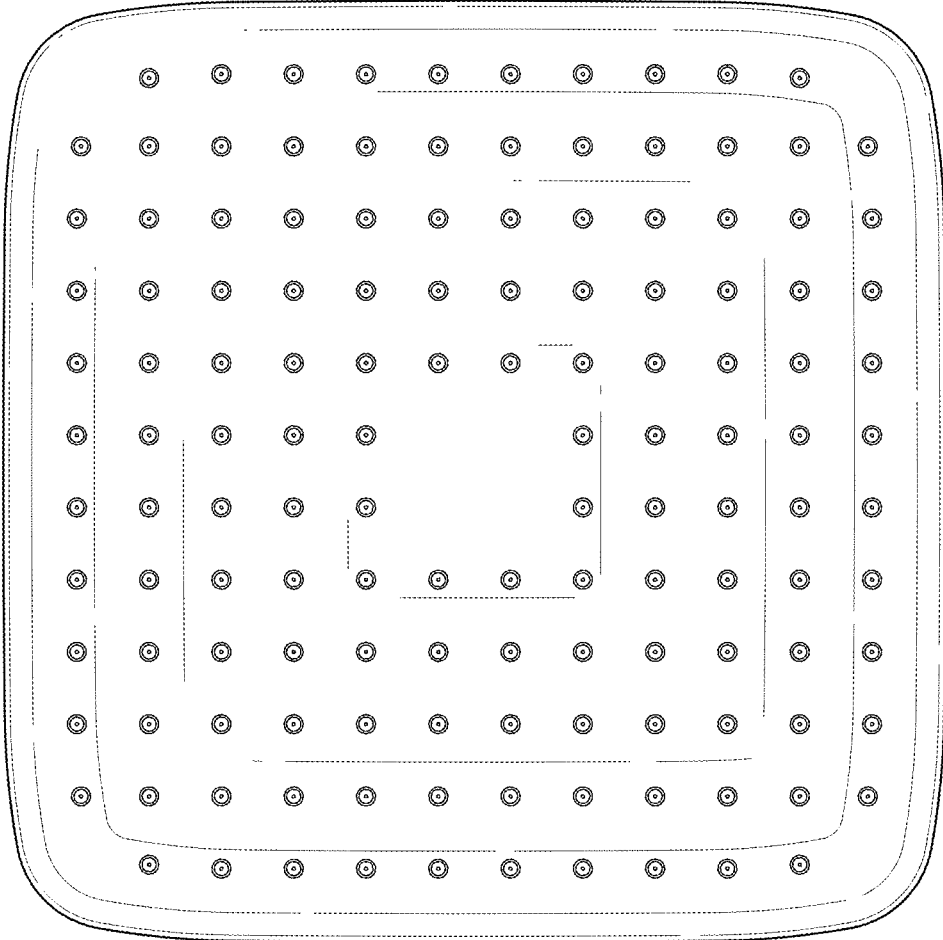


FIG.7