



(12) **United States Design Patent**
Laib

(10) **Patent No.:** **US D559,677 S**
(45) **Date of Patent:** **** Jan. 15, 2008**

(54) **CONTAINER WITH COVER**
(75) Inventor: **Douglas M. Laib**, Orlando, FL (US)
(73) Assignee: **Dart Industries Inc.**, Orlando, FL (US)
(**) Term: **14 Years**
(21) Appl. No.: **29/261,082**
(22) Filed: **Jun. 7, 2006**

D321,477 S * 11/1991 Gunter D9/503
D328,014 S 7/1992 DeCoster et al.
5,150,804 A * 9/1992 Blanchet et al. 220/212
D339,958 S * 10/1993 Olsen et al. D7/392.1
D350,068 S * 8/1994 Schwartzburg D9/434
D358,531 S * 5/1995 Cousins et al. D7/612
D383,939 S * 9/1997 Jeppesen et al. D7/392.1
D395,204 S * 6/1998 Wood D7/615
D416,443 S 11/1999 Kilpatrick et al.
D442,330 S * 5/2001 Cousins D27/173

* cited by examiner

(51) **LOC (8) Cl.** **09-03**
(52) **U.S. Cl.** **D9/424; D9/428**
(58) **Field of Classification Search** D9/424,
D9/414, 417, 419, 423, 425, 428, 429, 434,
D9/503, 529; D7/391, 602, 608, 612, 615;
D28/73, 88; 220/269-270, 608, 669, 675,
220/676; 215/200

Primary Examiner—Prabhakar Deshmukh
Assistant Examiner—Derrick Holland
(74) *Attorney, Agent, or Firm*—John A. Doninger

See application file for complete search history.

(57) **CLAIM**

The ornamental design for a container with cover, as shown and described.

(56) **References Cited**

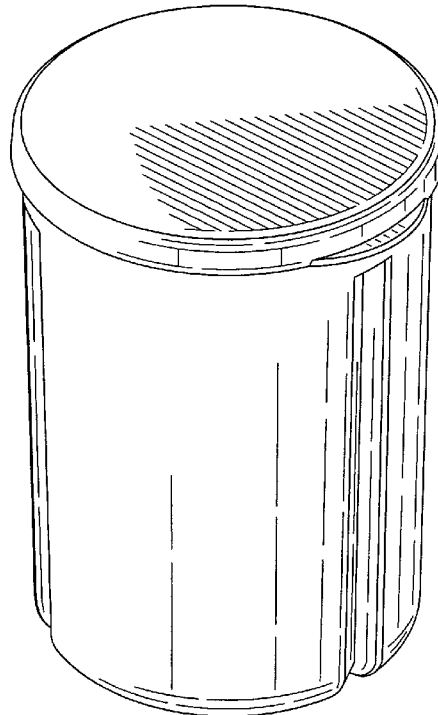
DESCRIPTION

U.S. PATENT DOCUMENTS

2,147,263 A * 2/1939 Mills 220/366.1
2,469,034 A 5/1949 Garris
2,638,820 A * 5/1953 Barnes 493/56
D170,562 S * 10/1953 Tupper D7/615
3,052,368 A 9/1962 Atkins et al.
3,394,861 A 7/1968 Truax
D220,425 S * 4/1971 Bardell D9/556
4,196,824 A 4/1980 Labelle
D256,078 S 7/1980 Croyle et al.
D276,139 S * 10/1984 Rayner D9/780
D286,019 S 10/1986 Fishman et al.

FIG. 1 is a top, right side and front perspective view of a container with cover showing the new design;
FIG. 2 is a front elevation view thereof, the rear elevation being a mirror image thereof;
FIG. 3 is a right side elevation view thereof;
FIG. 4 is a left side elevation view thereof;
FIG. 5 is a top plan view thereof; and,
FIG. 6 is a bottom plan view.

1 Claim, 3 Drawing Sheets



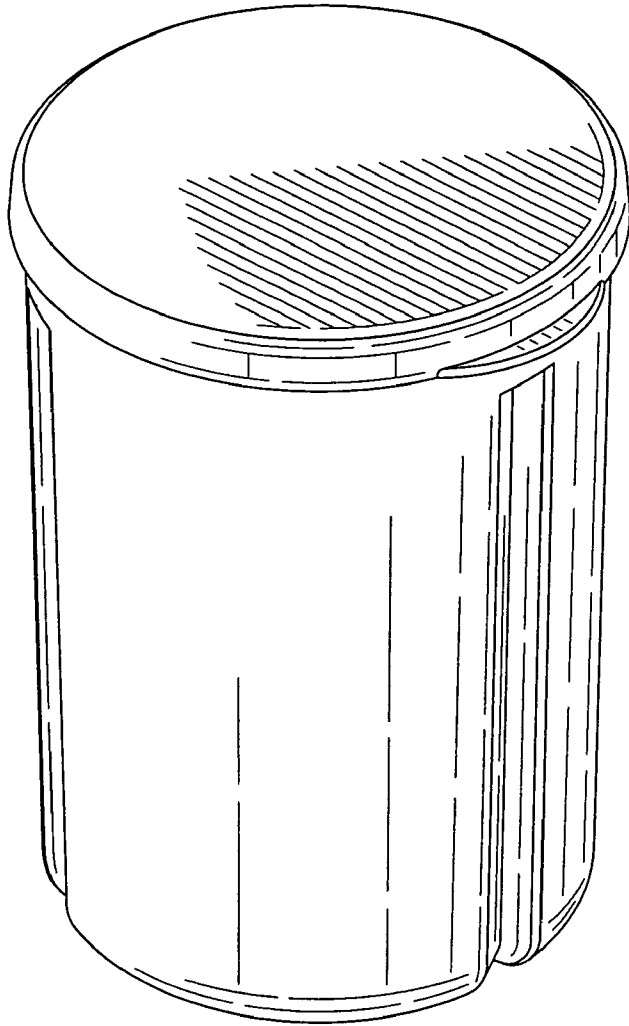


FIG. 1

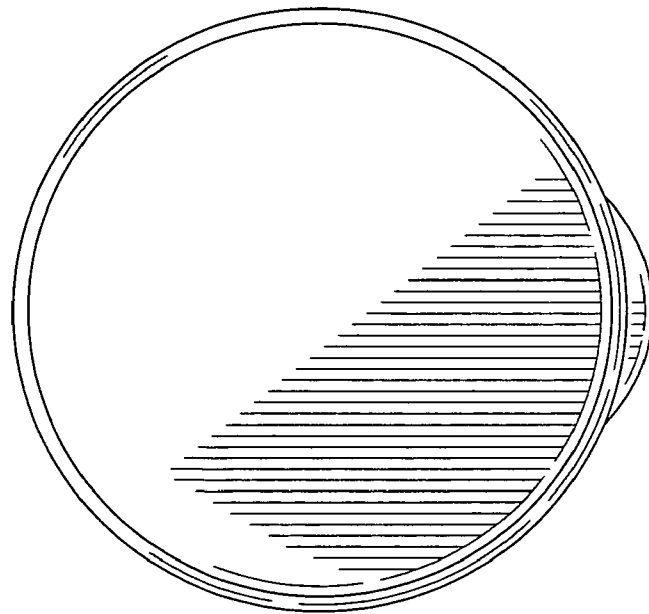


FIG. 5

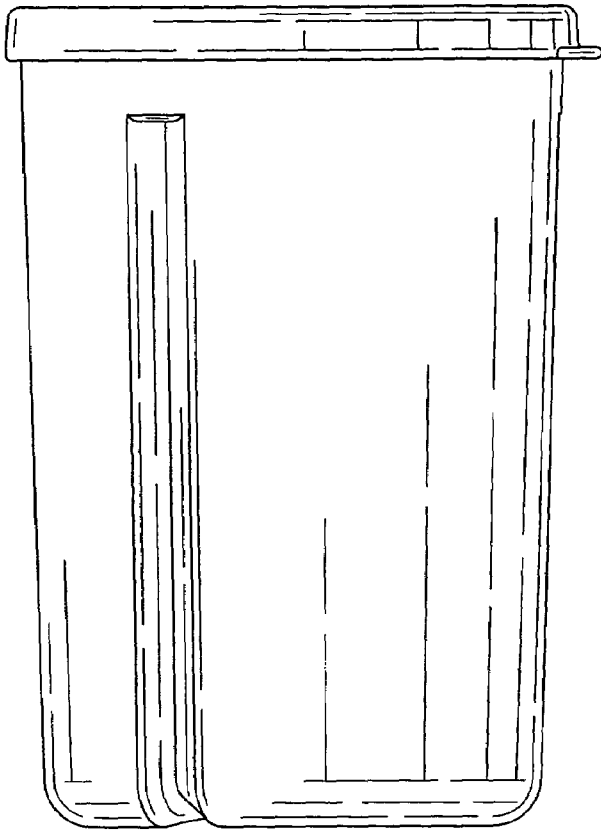


FIG. 2

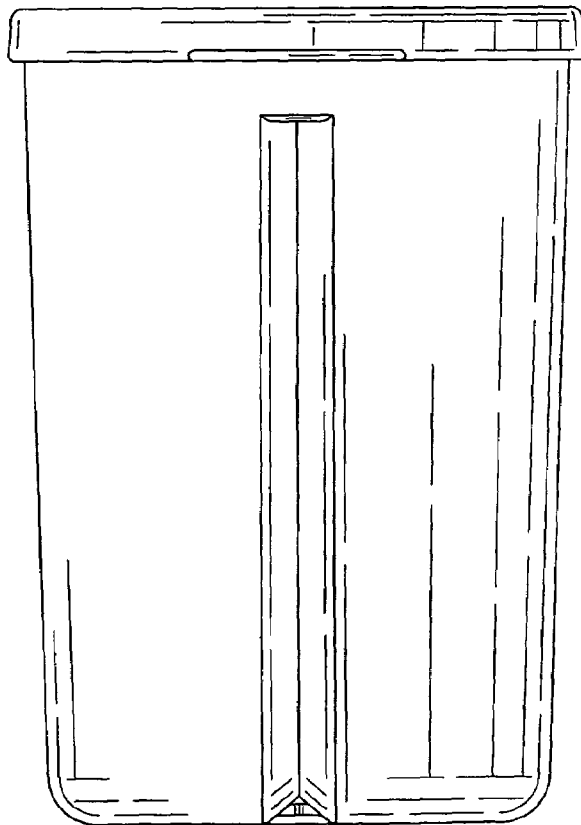


FIG. 3

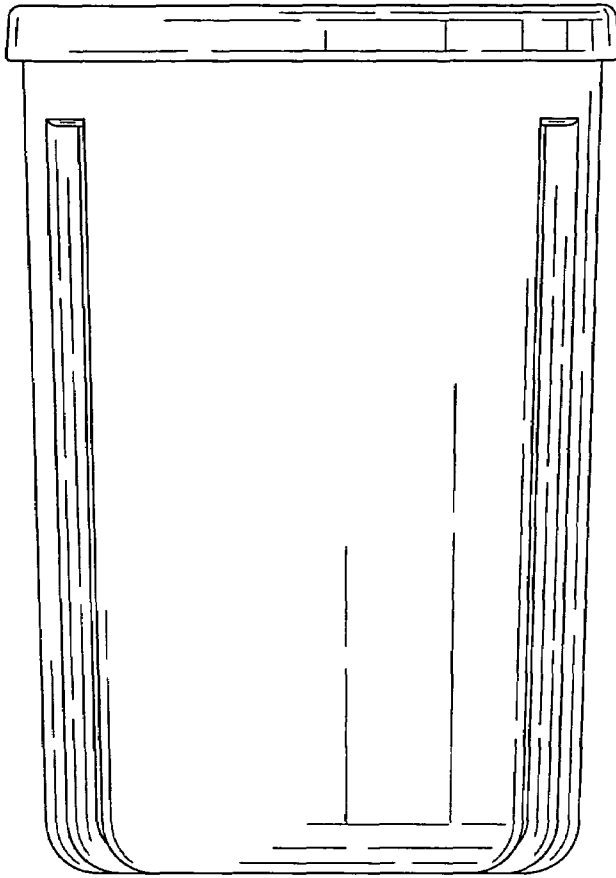


FIG. 4

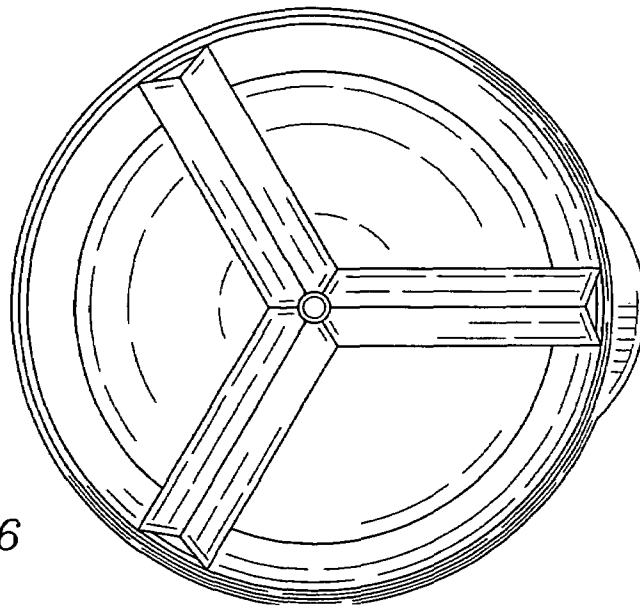


FIG. 6