



US00D810429S

(12) **United States Design Patent**
Kitchen

(10) **Patent No.:** **US D810,429 S**

(45) **Date of Patent:** **** Feb. 20, 2018**

(54) **WALLET**

Primary Examiner — Holly Baynham

(74) *Attorney, Agent, or Firm* — Paul & Paul

(71) Applicant: **Michael Kitchen**, Media, PA (US)

(72) Inventor: **Michael Kitchen**, Media, PA (US)

(57) **CLAIM**

An ornamental design for a wallet, as shown and described.

(**) Term: **15 Years**

(21) Appl. No.: **29/589,794**

DESCRIPTION

(22) Filed: **Jan. 4, 2017**

(51) **LOC (11) Cl.** **03-01**

(52) **U.S. Cl.**
USPC **D3/247**

(58) **Field of Classification Search**
USPC D3/247, 249–253
CPC A45C 1/06; A45C 3/08; A45C 11/00
See application file for complete search history.

FIG. 1 is a top plan view of a wallet embodying my new design shown in a closed position;
FIG. 2 is a right side elevational view thereof;
FIG. 3 is a left side elevational view thereof;
FIG. 4 is a bottom plan view thereof;
FIG. 5 is a front elevational view thereof;
FIG. 6 is a rear elevational view thereof;
FIG. 7 is a first perspective view showing the front, the left side, and the top thereof;
FIG. 8 is a second perspective view showing the rear, the right side, and top thereof;
FIG. 9 is a third perspective view showing the rear, the left side, and the bottom thereof;
FIG. 10 is a fourth perspective view showing the front, the left side, and the bottom thereof;
FIG. 11 is a first perspective view showing the wallet of my design in a fully open position to reveal the interior,
FIG. 12 is a second perspective view showing the wallet of my design in a fully open position to reveal the interior; and,
FIG. 13 is a right side elevational view thereof.

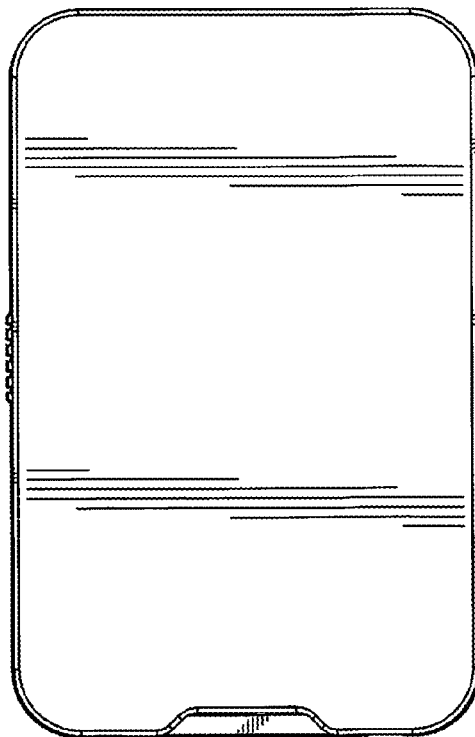
(56) **References Cited**

U.S. PATENT DOCUMENTS

5,560,476	A	10/1996	Lee	
5,725,098	A	3/1998	Seifert	
6,121,544	A	9/2000	Petsinger	
7,163,152	B2	1/2007	Osborn	
7,246,556	B1	7/2007	Stoneberg	
8,567,459	B2	10/2013	Kitchen	
D728,223	S *	5/2015	Setre Shens	D3/232
2005/0150961	A1	7/2005	Porter	
2007/0194128	A1	8/2007	Coe	

* cited by examiner

1 Claim, 5 Drawing Sheets



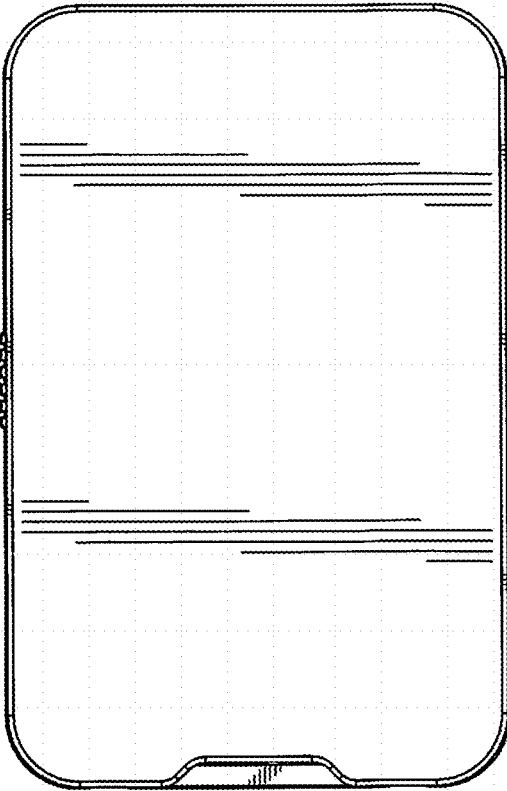


FIG. 1

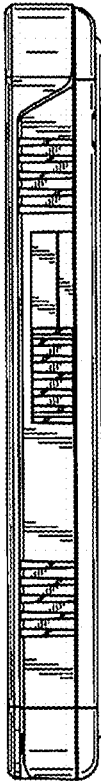


FIG. 2



FIG. 3

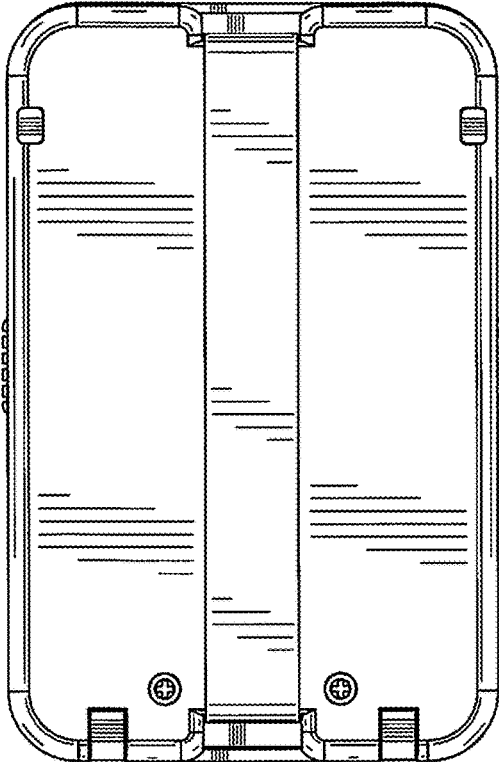


FIG. 4

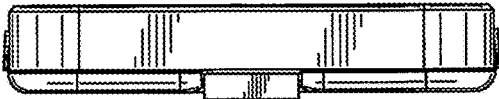


FIG. 5



FIG. 6

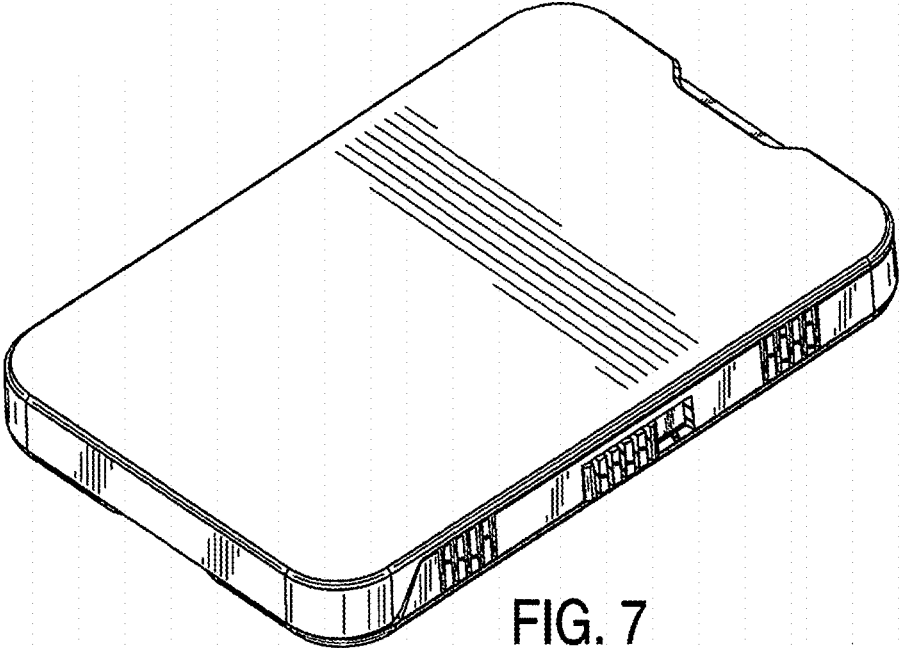


FIG. 7

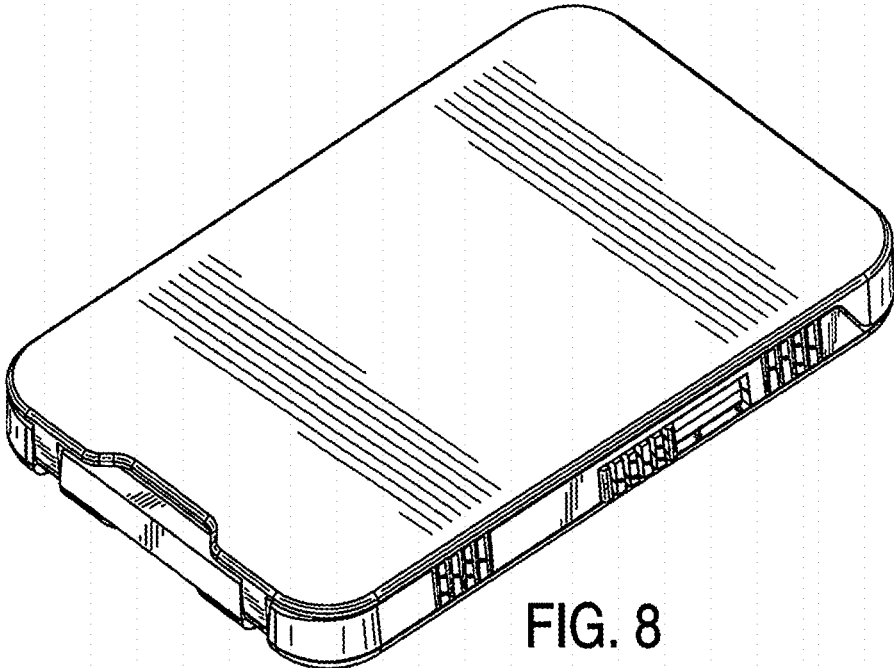


FIG. 8

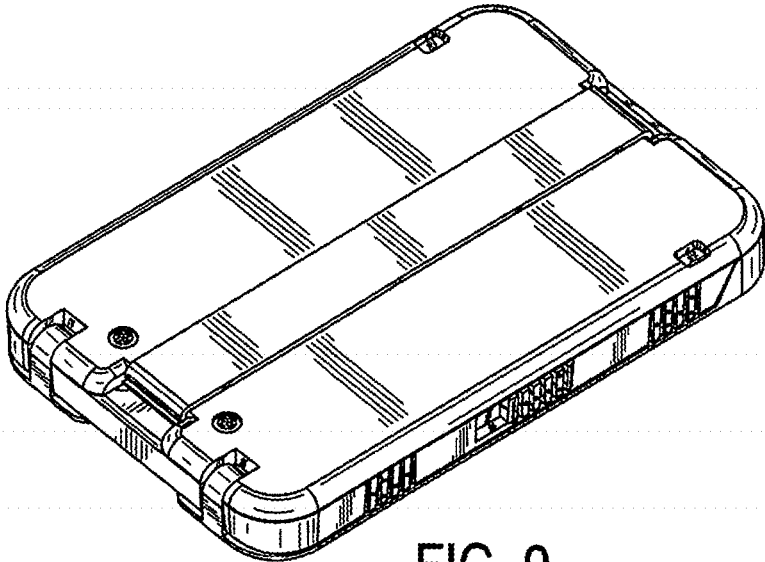


FIG. 9

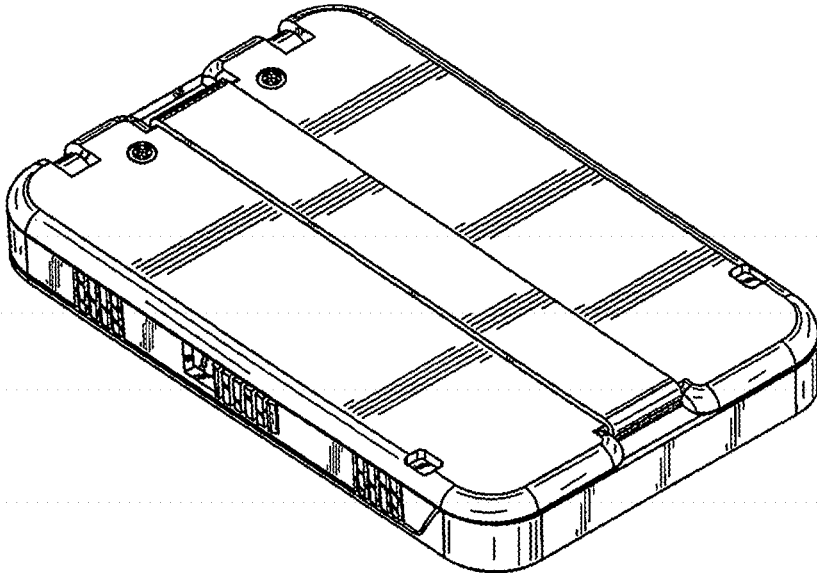


FIG. 10

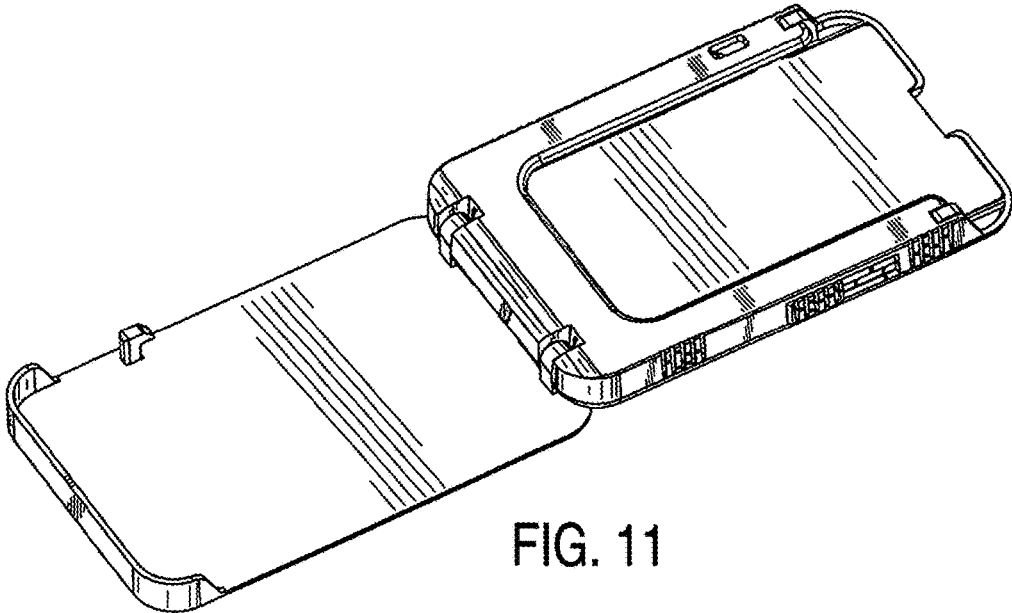


FIG. 11

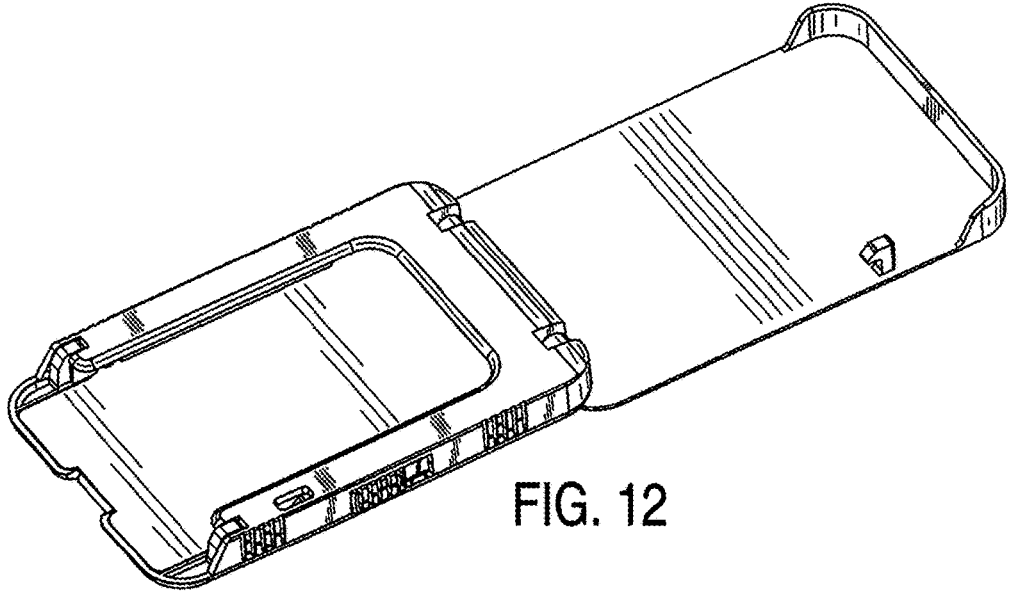


FIG. 12

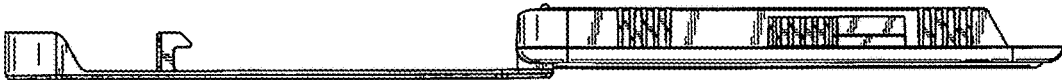


FIG. 13