



US00D899867S

(12) **United States Design Patent**
Bullock et al.

(10) **Patent No.:** **US D899,867 S**

(45) **Date of Patent:** **** Oct. 27, 2020**

- (54) **CONTAINER**
- (71) Applicant: **YETI Coolers, LLC**, Austin, TX (US)
- (72) Inventors: **Dustin Bullock**, Austin, TX (US); **John Loudenslager**, Austin, TX (US); **John Fritz**, Austin, TX (US); **Michael Cieszko**, Austin, TX (US); **Andrew J. Winterhalter**, Austin, TX (US)

2,652,698 A 9/1953 Schlumbohm
 2,706,895 A 4/1955 Thompson et al.
 2,803,368 A 8/1957 Koch

(Continued)

FOREIGN PATENT DOCUMENTS

BE 463027 A 3/1946
 CA 152932 A 1/1914

(Continued)

- (73) Assignee: **YETI Coolers, LLC**, Austin, TX (US)
- (**) Term: **15 Years**

OTHER PUBLICATIONS

Dometic Patrol 35 https://shop.dometic.com/store/dometic/en_US/pd/productID.5178771400 (12 pp) Oct. 23, 2019.

(Continued)

Primary Examiner — Terry A Wallace
 (74) *Attorney, Agent, or Firm* — Banner & Witcoff, Ltd.

- (21) Appl. No.: **29/718,921**
- (22) Filed: **Dec. 30, 2019**

Related U.S. Application Data

- (63) Continuation of application No. 16/218,089, filed on Dec. 12, 2018.

- (51) **LOC (12) Cl.** **07-01**
- (52) **U.S. Cl.**
- USPC **D7/605**

(57) **CLAIM**

The ornamental design for a container, as shown and described.

- (58) **Field of Classification Search**
- USPC D7/605–608, 629, 630; D3/272–274
- CPC .. A45C 11/20; A45C 5/14; A45C 5/03; A45C 9/00; A47B 77/08; A47G 19/2288; B26B 3/003; F25B 19/00; F25D 3/08; F25D 3/12; F25D 3/02; F25D 3/14; F25D 2331/804; F25D 2400/08; F25D 31/005; B65D 81/3858; B65D 81/3823; B65D 81/3813; B65D 81/3888; B65D 81/3816; B65D 81/3834; B65D 43/164; B65D 43/22; B65D 43/24; B65D 43/16; B65D 45/20; E05C 19/12; E05C 19/14
- See application file for complete search history.

DESCRIPTION

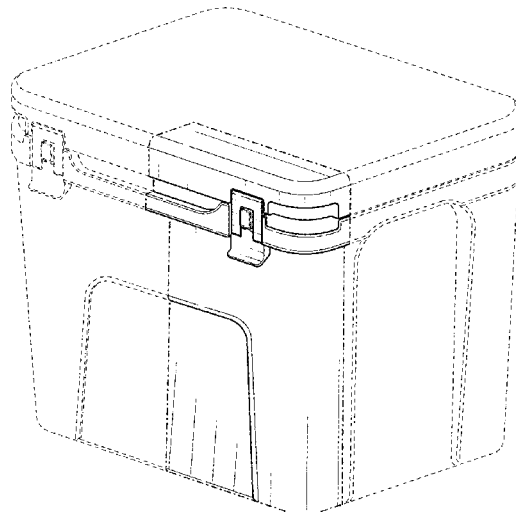
FIG. 1 is a front, right, perspective view of a container showing our new design;
 FIG. 2 is a front view thereof;
 FIG. 3 is a rear view thereof;
 FIG. 4 is a right side view thereof;
 FIG. 5 is a left side view thereof;
 FIG. 6 is a top view thereof; and,
 FIG. 7 is a bottom view thereof.

The even-length broken lines represent unclaimed boundaries and form no part of the claimed design. The uneven-length broken lines immediately adjacent to the shaded area define the bounds of the claimed design and form no part thereof.

- (56) **References Cited**
- U.S. PATENT DOCUMENTS**

1,004,688 A 10/1911 Hunt
 2,555,126 A 5/1951 Greve

1 Claim, 6 Drawing Sheets



(56)

References Cited

U.S. PATENT DOCUMENTS

2,850,885	A	9/1958	Mohr et al.	6,484,880	B1	11/2002	Shaeffer	
2,856,092	A	10/1958	Knapp	6,622,881	B2	9/2003	Hardigg	
3,035,733	A	5/1962	Knapp	D482,241	S	11/2003	Tyler	
3,414,160	A	12/1968	Weber	6,698,608	B2	3/2004	Parker et al.	
4,143,695	A	3/1979	Hoehn	6,736,309	B1	5/2004	Westerman et al.	
4,162,029	A	7/1979	Gottsegen et al.	6,739,150	B2	5/2004	Mompo Garcia	
4,351,165	A	9/1982	Gottsegen et al.	D491,440	S	6/2004	Pfeiffer et al.	
4,368,819	A	1/1983	Durham	D492,184	S	6/2004	Parker et al.	
4,459,827	A	7/1984	Rhodes	6,789,692	B2	9/2004	Prezelin	
4,484,682	A	11/1984	Crow	6,789,693	B2	9/2004	Lassiter	
4,537,044	A	8/1985	Putnam	6,955,381	B2	10/2005	Parker et al.	
4,592,482	A	6/1986	Seager	6,976,370	B2	12/2005	Fiene	
4,623,076	A	11/1986	Karpal	6,993,931	B1	2/2006	Hamilton	
4,648,512	A	3/1987	Tarozzi et al.	7,013,671	B1	3/2006	Bolda	
4,802,344	A	2/1989	Livingston et al.	7,066,347	B2	6/2006	Slovak et al.	
4,846,493	A	7/1989	Mason	D528,368	S *	9/2006	Maldonado	D7/605
4,858,444	A	8/1989	Scott	7,128,369	B2	10/2006	Boggs et al.	
4,873,841	A	10/1989	Bradshaw et al.	7,147,125	B1	12/2006	Slovak et al.	
4,939,912	A	7/1990	Leonovich, Jr.	7,243,676	B2	7/2007	Bailey	
D311,476	S *	10/1990	Kumakura	D548,565	S	8/2007	Vickers	
4,988,216	A	1/1991	Lyman	7,313,927	B2	1/2008	Barker	
5,007,250	A	4/1991	Musielak	7,328,818	B2	2/2008	Prabucki	
5,024,359	A	6/1991	Thomas	7,344,028	B2	3/2008	Hanson	
5,044,513	A	9/1991	Van Berne	7,357,709	B2	4/2008	Zukor et al.	
5,050,767	A	9/1991	Peer	7,360,784	B2	4/2008	Stewart et al.	
D324,165	S	2/1992	Bressler et al.	7,389,608	B1	6/2008	MacKay	
5,095,718	A	3/1992	Ormond et al.	7,412,846	B2	8/2008	Sekiya et al.	
5,169,018	A	12/1992	Fiore	7,461,871	B2	12/2008	Vauchel	
5,184,477	A	2/1993	Brown et al.	7,540,364	B2	6/2009	Sanderson	
D333,775	S	3/1993	Krape	D598,194	S	8/2009	Turvey et al.	
5,213,381	A	5/1993	Anderson	7,597,478	B2	10/2009	Pruchnicki et al.	
5,249,438	A	10/1993	Rhaney et al.	7,621,417	B2	11/2009	Peterson et al.	
5,251,460	A	10/1993	DeMarco et al.	7,658,213	B1	2/2010	Anderson et al.	
5,251,542	A	10/1993	Itoh et al.	7,677,406	B2	3/2010	Maxson	
5,259,215	A	11/1993	Rocca	7,677,580	B2	3/2010	Vanderberg et al.	
5,284,294	A	2/1994	Floyd	7,726,880	B2	6/2010	Zimmerman et al.	
5,295,365	A	3/1994	Redford	7,735,334	B2	6/2010	Johnson	
5,313,817	A	5/1994	Meinders	7,806,271	B1	10/2010	Kraska	
5,319,937	A	6/1994	Fritsch et al.	7,837,053	B2	11/2010	Arnett et al.	
5,329,787	A	7/1994	Friday	7,841,635	B2	11/2010	Fuchs	
5,350,081	A	9/1994	Graham	7,874,743	B2	1/2011	Berkey et al.	
5,363,977	A	11/1994	Hoff	7,905,243	B2	3/2011	Minard et al.	
5,373,708	A	12/1994	Dumoulin, Jr.	8,016,153	B2	9/2011	Boenig et al.	
5,400,610	A	3/1995	Macedo	8,052,004	B2	11/2011	Cheng et al.	
5,403,095	A	4/1995	Melk	8,123,236	B1	2/2012	Helenihi	
5,423,426	A	6/1995	Harper	8,152,367	B2	4/2012	Roberts et al.	
5,447,041	A	9/1995	Piechota	8,176,749	B2	5/2012	LaMere et al.	
5,460,285	A	10/1995	Harding, Sr.	8,191,747	B2	6/2012	Pruchnicki	
5,562,228	A	10/1996	Ericson	8,215,518	B2	7/2012	Hyde et al.	
5,626,373	A	5/1997	Chambers et al.	8,251,245	B2	8/2012	DiPietro et al.	
5,738,238	A	4/1998	Yang	8,256,156	B1	9/2012	Burgoyne, Jr.	
5,740,940	A	4/1998	Weiss	8,297,464	B2	10/2012	Grenier et al.	
5,845,515	A	12/1998	Nelson	8,308,008	B2	11/2012	Perry et al.	
5,860,281	A	1/1999	Coffee et al.	8,353,418	B2	1/2013	Bork	
5,865,037	A	2/1999	Bostic	8,430,284	B2	4/2013	Broadbent et al.	
5,913,448	A	6/1999	Mann et al.	8,544,648	B2 *	10/2013	Cleveland	B65D 21/0223 206/503
5,944,205	A	8/1999	LaJoie et al.	8,544,670	B2	10/2013	Brilmyer	
5,971,218	A	10/1999	Le	8,562,520	B2	10/2013	Rockrohr	
6,067,813	A	5/2000	Smith	8,573,002	B2	11/2013	Ledoux et al.	
6,092,661	A	7/2000	Mogil	8,590,724	B2	11/2013	Kreidler et al.	
6,158,745	A	12/2000	Deighton	8,596,485	B2	12/2013	Lindsay	
6,176,499	B1	1/2001	Conrado et al.	8,622,235	B2	1/2014	Suhecki	
6,192,703	B1	2/2001	Salyer et al.	8,622,279	B2	1/2014	Barnett	
6,193,097	B1	2/2001	Martin Perianes et al.	8,678,024	B2	3/2014	Freiler	
6,199,570	B1	3/2001	Patarra	8,701,928	B2	4/2014	Samson	
6,244,066	B1	6/2001	LaRose	D707,100	S	6/2014	Kinskey et al.	
6,244,458	B1	6/2001	Frysinger et al.	8,740,010	B1	6/2014	Page	
6,296,134	B1	10/2001	Cardinale	8,746,498	B2	6/2014	Maldonado et al.	
6,296,165	B1	10/2001	Mears	8,794,469	B2	8/2014	Bratsch	
6,305,547	B1	10/2001	Curran	8,887,515	B2	11/2014	Patstone	
6,336,577	B1	1/2002	Harris et al.	8,939,315	B2	1/2015	Pillow et al.	
6,398,272	B1	6/2002	Plummer et al.	8,944,476	B1	2/2015	Henderson	
6,409,066	B1	6/2002	Schneider et al.	8,967,419	B2	3/2015	Gerber et al.	
6,427,886	B1	8/2002	Essex	8,979,073	B2	3/2015	Lykins et al.	
6,457,750	B1	10/2002	Sokurenko et al.	8,979,144	B2	3/2015	Paugh et al.	
				9,027,722	B1	5/2015	Parker	
				9,052,025	B2	6/2015	Zinn et al.	
				9,091,477	B2	7/2015	Magnus	

(56)

References Cited

U.S. PATENT DOCUMENTS

D739,302 S 9/2015 Nilsen et al.
 9,126,747 B2 9/2015 Burgess et al.
 9,132,598 B2 9/2015 Ernst
 9,139,352 B2 9/2015 Seiders et al.
 9,140,476 B2 9/2015 Eckhoff et al.
 9,163,871 B1 10/2015 Costello
 D744,810 S 12/2015 Pittman
 9,199,782 B1 12/2015 Cliatt
 D747,950 S 1/2016 Jacobsen et al.
 D747,951 S 1/2016 Jacobsen et al.
 D748,452 S 2/2016 Jacobsen et al.
 9,260,129 B2 2/2016 Thompson
 9,265,318 B1 2/2016 Williams et al.
 D750,953 S 3/2016 Jacobsen et al.
 9,271,553 B2 3/2016 Ponx
 9,271,595 B2 3/2016 Lee
 9,278,704 B2 3/2016 Cates
 9,282,797 B1 3/2016 Soto
 9,296,543 B2 3/2016 Wooldridge et al.
 9,310,118 B2 4/2016 Zavitsanos
 9,320,938 B1 4/2016 Belmore
 9,341,275 B2 5/2016 Peck et al.
 D759,590 S 6/2016 Wang
 9,389,010 B1 7/2016 Booker, Sr.
 9,414,893 B2 8/2016 Jacobson
 9,415,787 B2 8/2016 Mericle
 9,462,796 B1 10/2016 Ellis et al.
 9,550,508 B1 1/2017 Parra
 9,578,938 B1 2/2017 Verneuille
 9,616,910 B2 4/2017 Chaloux et al.
 9,648,990 B1 5/2017 Corney
 9,668,510 B2 6/2017 Doman
 9,669,986 B1 6/2017 Evans
 9,676,522 B1 6/2017 Stovall
 9,718,070 B2 8/2017 Arminak et al.
 9,726,415 B1 8/2017 Spalti
 9,738,296 B2 8/2017 McBeth
 9,809,357 B2 11/2017 Arnold et al.
 9,849,901 B2 12/2017 Jackman
 9,857,119 B2 1/2018 Keenan
 9,878,841 B2 1/2018 Holderness et al.
 9,888,977 B2 2/2018 Thomas et al.
 9,956,978 B1 5/2018 Worley
 9,976,789 B2 5/2018 Grepper
 D820,049 S 6/2018 Ahlstrom et al.
 9,989,299 B1 6/2018 Ballard
 D826,027 S 8/2018 Carey et al.
 D835,472 S * 12/2018 Seiders D7/605
 D844,386 S 4/2019 Ahlstrom et al.
 2003/0111476 A1 6/2003 Serio
 2003/0136702 A1 7/2003 Redzisz et al.
 2004/0025531 A1 2/2004 Holloman-Hughes et al.
 2004/0144783 A1 7/2004 Anderson et al.
 2004/0182870 A1 9/2004 Rodgers
 2004/0262319 A1 12/2004 Fisher
 2005/0082305 A1 4/2005 Dais et al.
 2005/0109776 A1* 5/2005 Camp, Jr. A45C 11/20
 220/23.86
 2005/0127081 A1* 6/2005 Leba F25D 3/08
 220/761
 2005/0263527 A1* 12/2005 Maldonado A45C 13/40
 220/592.2
 2005/0269541 A1 12/2005 Bodum
 2005/0279124 A1 12/2005 Maldonado
 2006/0017293 A1 1/2006 Tonelli
 2006/0042897 A1* 3/2006 Sanderson E05B 65/5276
 190/120
 2006/0276768 A1 12/2006 Miller et al.
 2007/0284377 A1 12/2007 Chandler
 2008/0134714 A1 6/2008 Villanueva
 2008/0145919 A1 6/2008 Franklin et al.
 2008/0164265 A1 7/2008 Conforti
 2008/0178629 A1 7/2008 Meether
 2008/0190940 A1 8/2008 Scott
 2009/0114646 A1 5/2009 Whalen

2009/0158770 A1 6/2009 Cohrs et al.
 2009/0188736 A1 7/2009 Niddam et al.
 2009/0217699 A1 9/2009 Ball
 2009/0274398 A1 11/2009 Men
 2010/0126196 A1 5/2010 McCance
 2010/0200588 A1 8/2010 Bergman et al.
 2010/0212351 A1 8/2010 Chapin et al.
 2010/0288776 A1 11/2010 Bodum
 2011/0062157 A1 3/2011 Grimm
 2011/0127264 A1 6/2011 Whalen
 2011/0197625 A1 8/2011 Urban et al.
 2011/0215125 A1 9/2011 Lopez
 2011/0226785 A1 9/2011 Sakell
 2012/0318808 A1 12/2012 McCormick
 2013/0043250 A1 2/2013 Kreidler et al.
 2014/0226920 A1 8/2014 Passavia
 2014/0252010 A1 9/2014 Miller
 2015/0008242 A1 1/2015 Kpabar, Jr.
 2015/0047635 A1 2/2015 Poree
 2015/0136796 A1 5/2015 Muehlhauser
 2015/0300721 A1 10/2015 Rigoli
 2015/0345853 A1 12/2015 Oeyen
 2015/0375918 A1* 12/2015 Holderness B65D 83/00
 222/566
 2016/0031617 A1 2/2016 Faucheaux, Jr. et al.
 2016/0073751 A1 3/2016 Charlebois et al.
 2016/0113131 A1 4/2016 Ernesti et al.
 2016/0135559 A1 5/2016 Scally
 2016/0244239 A1 8/2016 Nash
 2017/0020256 A1 1/2017 Jankura et al.
 2017/0055665 A1 3/2017 Lanzisera
 2017/0101301 A1 4/2017 Volin
 2017/0156525 A1 6/2017 Guy et al.
 2017/0159989 A1 6/2017 Bodnar
 2017/0197765 A1* 7/2017 Hu B65D 25/2852
 2017/0254578 A1 9/2017 Kriesel
 2017/0259956 A1 9/2017 Hori et al.
 2017/0292756 A1 10/2017 Fenko et al.
 2017/0305638 A1 10/2017 Sonntag et al.
 2017/0313492 A1 11/2017 Seiders et al.
 2017/0320653 A1 11/2017 Mogil et al.
 2017/0343247 A1 11/2017 Ahmad et al.
 2018/0003425 A1 1/2018 Goodloe
 2018/0015938 A1 1/2018 DeFrancia
 2018/0016068 A1 1/2018 Valencia
 2018/0087819 A1 3/2018 Triska et al.
 2018/0127007 A1 5/2018 Kravchenko
 2018/0132586 A1 5/2018 Flaherty
 2018/0141718 A1* 5/2018 Ahlstrom B65D 25/2841
 2018/0186547 A1* 7/2018 Morine F25D 3/08
 2018/0354687 A1* 12/2018 Seiders E05B 65/5207
 2019/0048631 A1 2/2019 Li
 2019/0152677 A1 5/2019 Hoyt
 2019/0161240 A1 5/2019 Ahlstrom et al.
 2019/0217999 A1 7/2019 Wood
 2019/0315538 A1 10/2019 Cheng

FOREIGN PATENT DOCUMENTS

CN 106246966 A 12/2016
 CN 304286831 9/2017
 DE 8229359 U1 12/1982
 DE 102010054187 A1 6/2012
 DE 202017006895 U1 9/2018
 EP 1700551 A2 9/2006
 EP 2135816 A1 12/2009
 EP 2852505 A1 4/2015
 EP 2861899 A1 4/2015
 GB 1818 4/1909
 GB 2045135 A 2/1996
 GB 2095684 11/2000
 GB 2096851 1/2001
 GB 3005022 1/2003
 GB 3025672 12/2006
 WO 9821534 A1 5/1998
 WO 2006007266 A2 1/2006
 WO 14074113 A1 5/2014
 WO 2016066817 A1 5/2016

(56)

References Cited

FOREIGN PATENT DOCUMENTS

WO	17072531 A1	5/2017
WO	17182290 A1	10/2017
WO	18005859 A2	1/2018

OTHER PUBLICATIONS

gore.com/protectivevents—screw-in series—“Increase outdoor enclosure durability in harsh environments” p. 1-4.

May 27, 2020—(WO) Partial International Search—PCT/US2019/065859.

Jul. 28, 2020—(WO) International Search Report & Written Opinion—PCT/US19/065859.

* cited by examiner

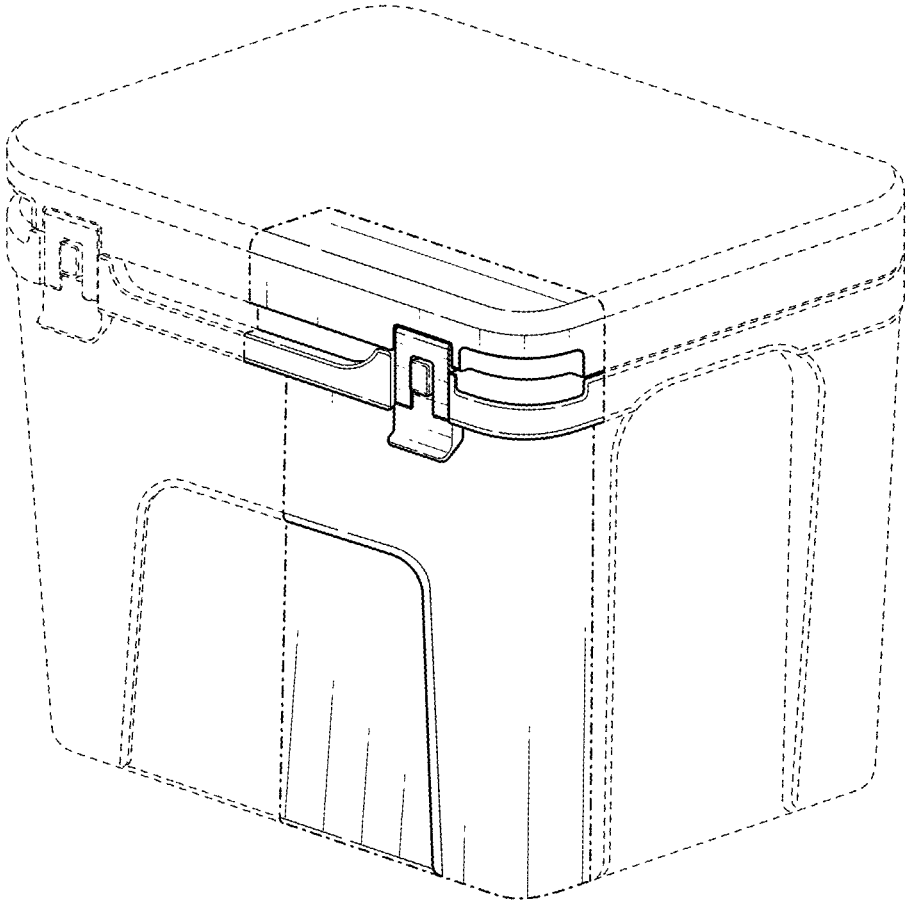


FIG. 1

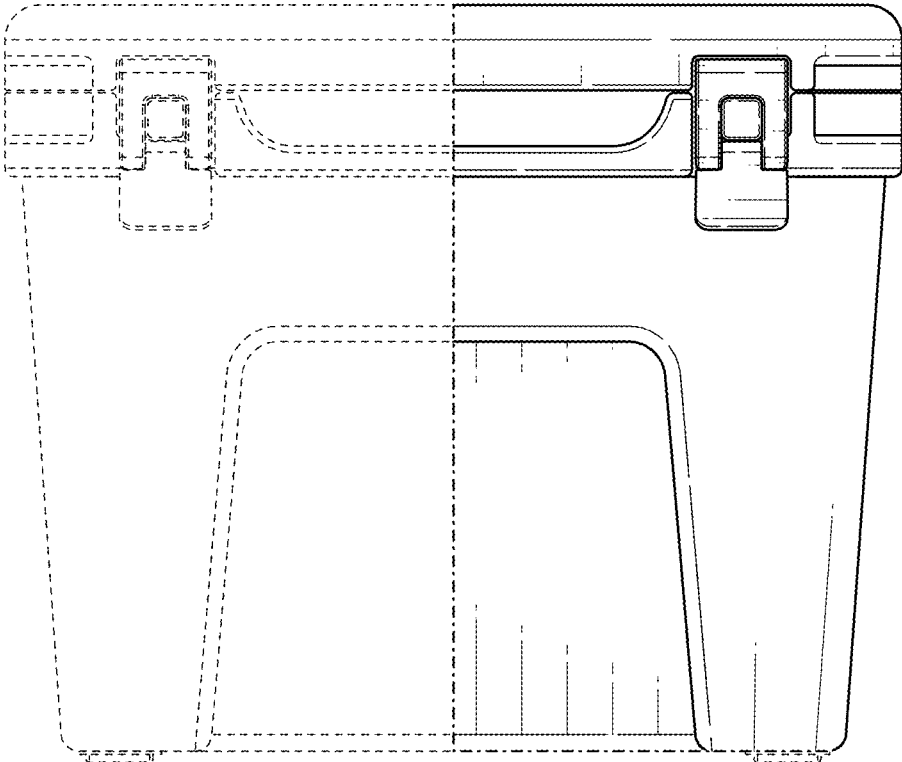


FIG. 2

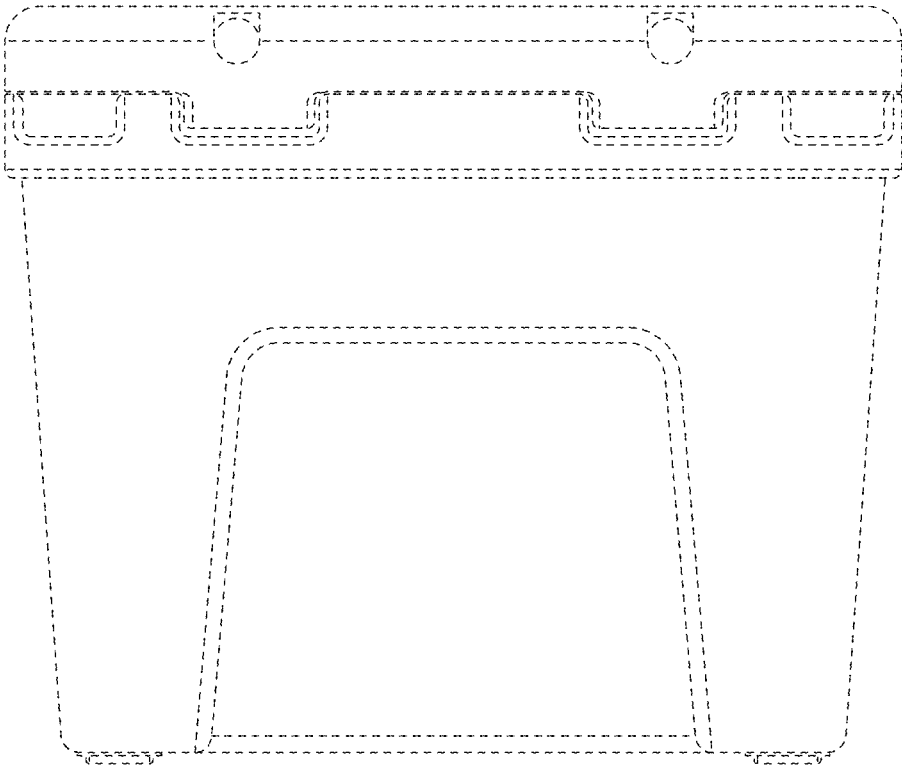


FIG. 3

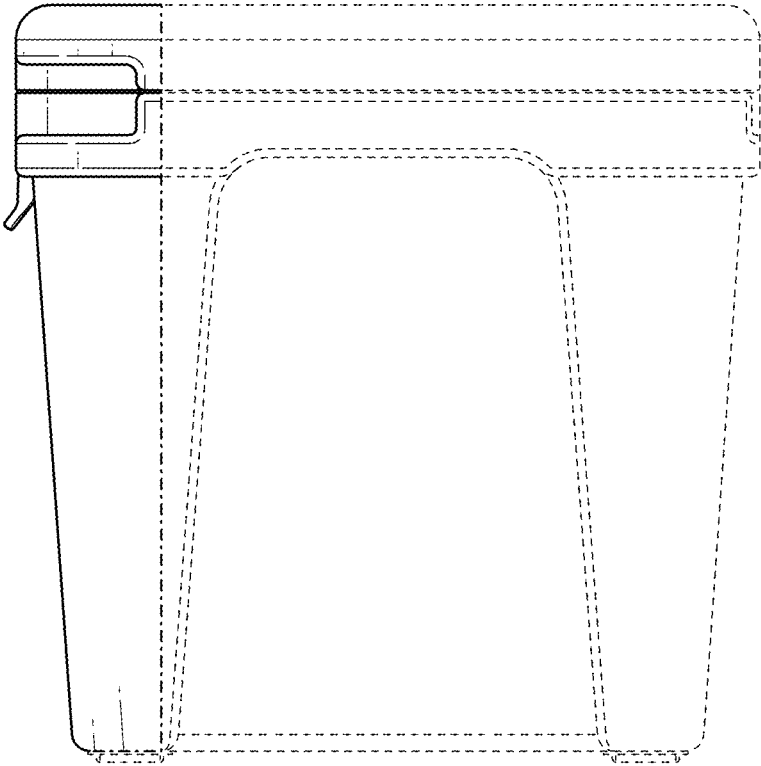


FIG. 4

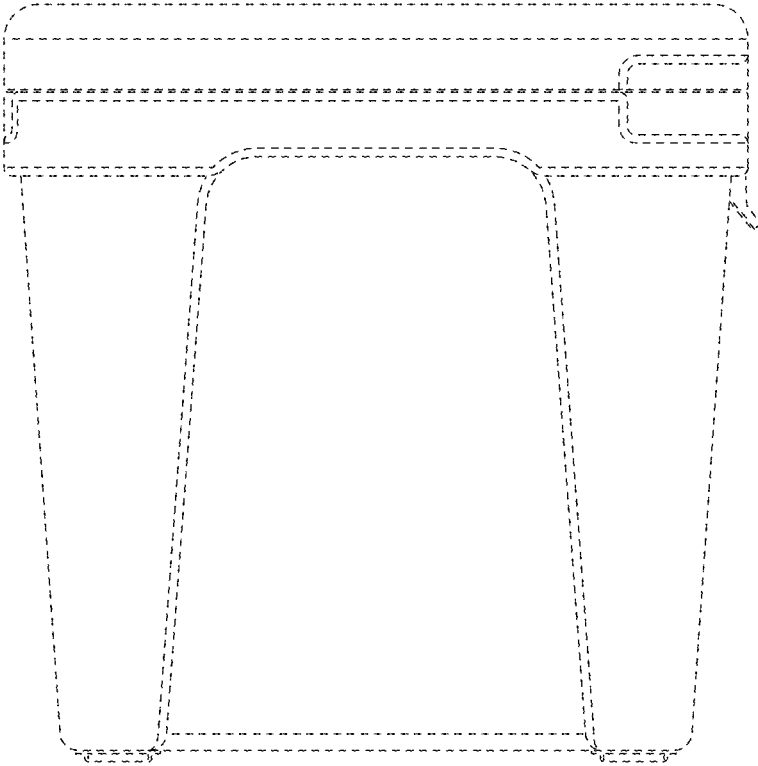


FIG. 5

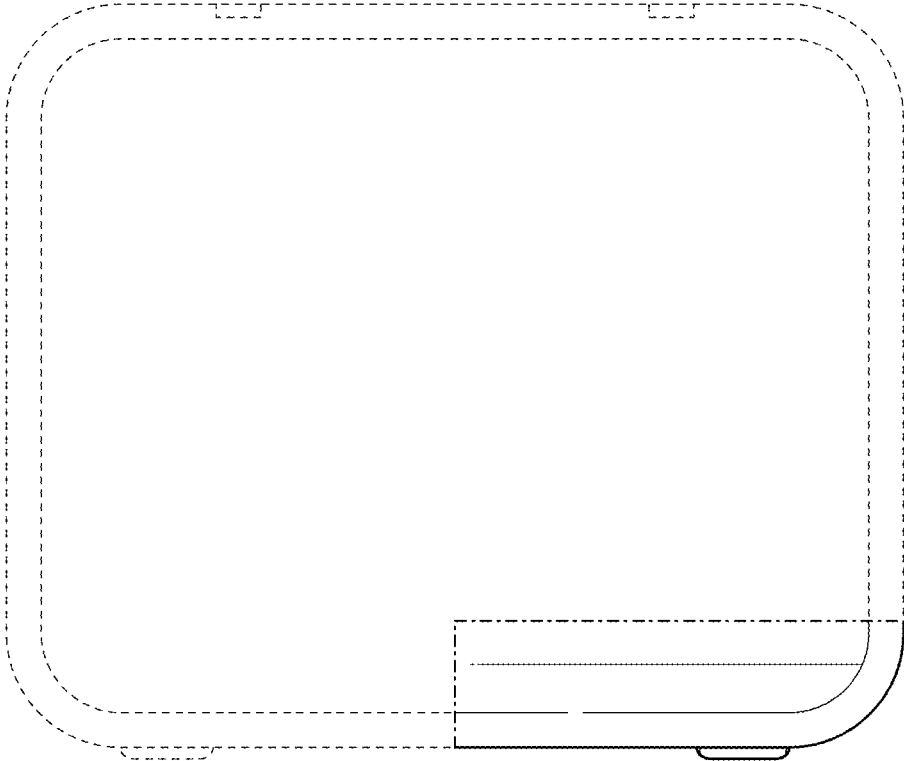


FIG. 6

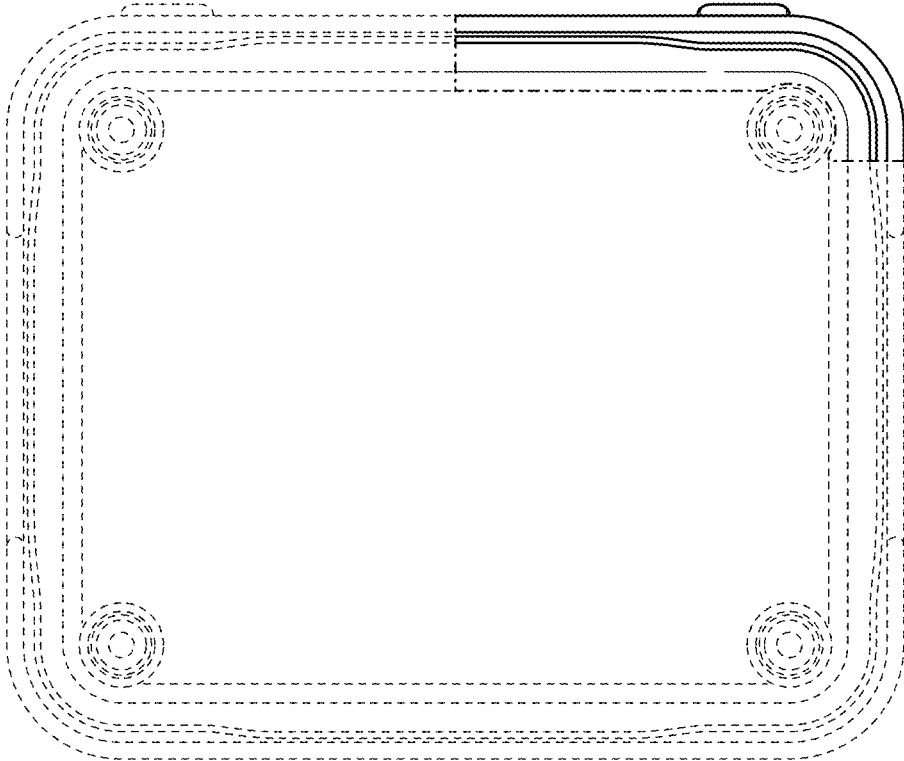


FIG. 7