



US00D831196S

(12) **United States Design Patent** (10) **Patent No.:** **US D831,196 S**  
**Fang et al.** (45) **Date of Patent:** **\*\* Oct. 16, 2018**

- (54) **TEST CUP**
- (71) Applicants: **Healgen Scientific Limited**, Houston, TX (US); **Zhejiang Orient Gene Biotech Co., LTD.**, Zhejiang (CN)
- (72) Inventors: **Jianqiu Fang**, Houston, TX (US); **Siyu Lei**, Zhejiang (CN)
- (73) Assignees: **Healgen Scientific Limited**, Houston, TX (US); **Zhejiang Orient Gene Biotech Co., LTD.**, Zhejiang (CN)

D717,462 S *	11/2014	Wainwright	.....	D24/216
D717,469 S *	11/2014	Nemeth	.....	D24/224
D731,672 S *	6/2015	Kuroda	.....	D24/224
D734,866 S *	7/2015	Maier	.....	D24/224
D759,836 S *	6/2016	Wainwright	.....	D24/216
D765,836 S *	9/2016	Kammer	.....	D24/121
D767,158 S *	9/2016	Wang	.....	D24/223
D773,683 S *	12/2016	Kuroda	.....	D24/224
D782,694 S *	3/2017	Wainwright	.....	D24/224
D795,698 S *	8/2017	Perdue	.....	D24/224
D815,752 S *	4/2018	Jackson	.....	D24/224

\* cited by examiner

(\*\*) Term: **15 Years**

*Primary Examiner* — David Muller

(21) Appl. No.: **29/618,424**

(74) *Attorney, Agent, or Firm* — Swanson & Bratschun, L.L.C.

(22) Filed: **Sep. 21, 2017**

(57) **CLAIM**

(30) **Foreign Application Priority Data**

Mar. 22, 2017 (CN) ..... 2017 3 0085849

The ornamental design for a test cup, as shown and described.

(51) **LOC (11) Cl.** ..... **24-02**

(52) **U.S. Cl.**  
USPC ..... **D24/121**

**DESCRIPTION**

(58) **Field of Classification Search**  
USPC ..... D24/121, 123, 224; 604/317-325  
CPC ..... B65D 41/04; B65D 2251/023; B65D 41/0485; B65D 41/3428  
See application file for complete search history.

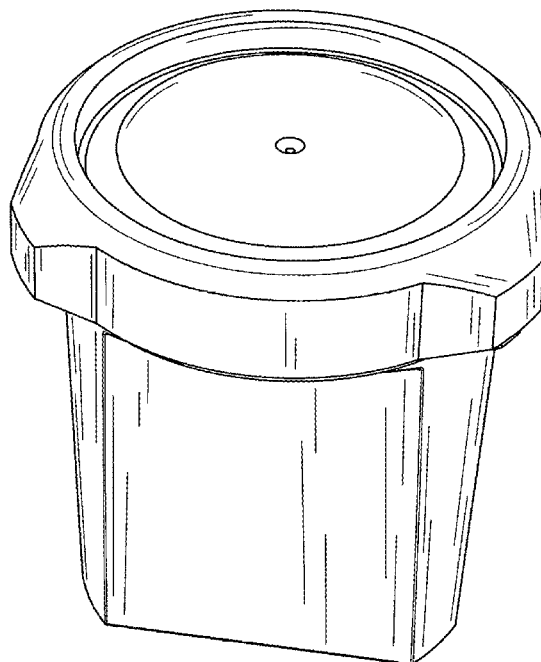
FIG. 1 is a front elevation view of a test cup showing our new design;  
FIG. 2 is a right side elevation view thereof;  
FIG. 3 is a left side elevation view thereof;  
FIG. 4 is a rear elevation view thereof;  
FIG. 5 is a top plan view thereof;  
FIG. 6 is a bottom plan view thereof;  
FIG. 7 is a top, front, right perspective view thereof;  
FIG. 8 is a bottom, front, right perspective view thereof; and,  
FIG. 9 is a bottom, front, right perspective view thereof.

(56) **References Cited**

**U.S. PATENT DOCUMENTS**

D435,906 S *	1/2001	Wilkinson	.....	D24/121
6,244,311 B1 *	6/2001	Hand	.....	A61M 1/0001 141/330

**1 Claim, 9 Drawing Sheets**



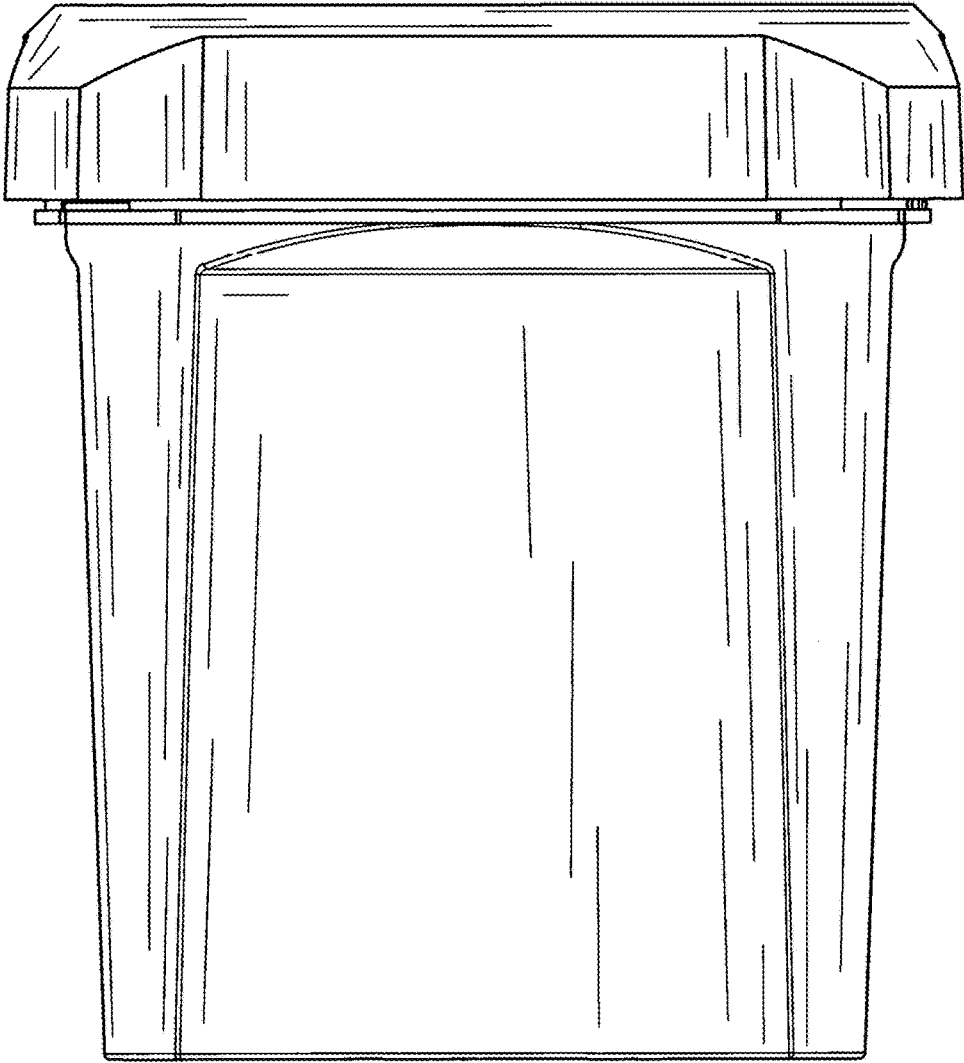


Fig. 1

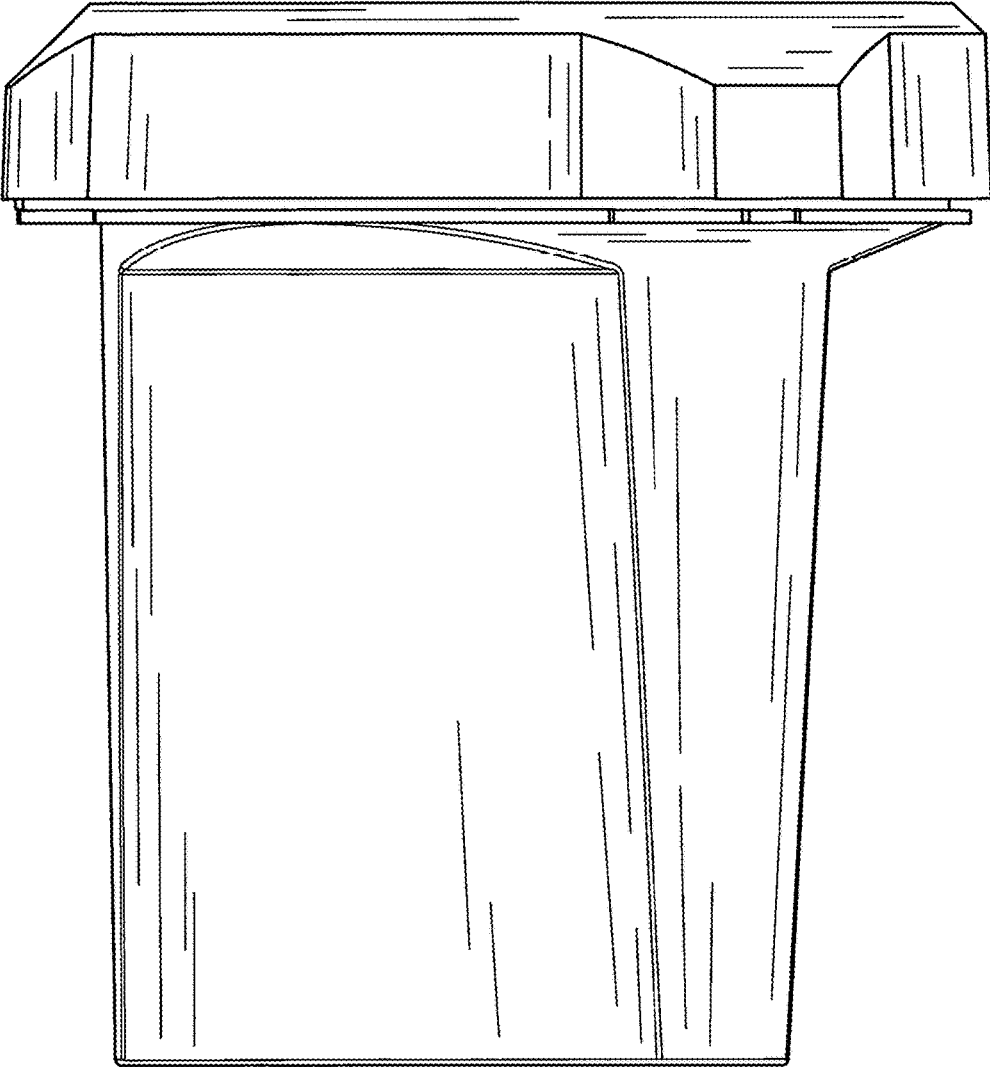


Fig. 2

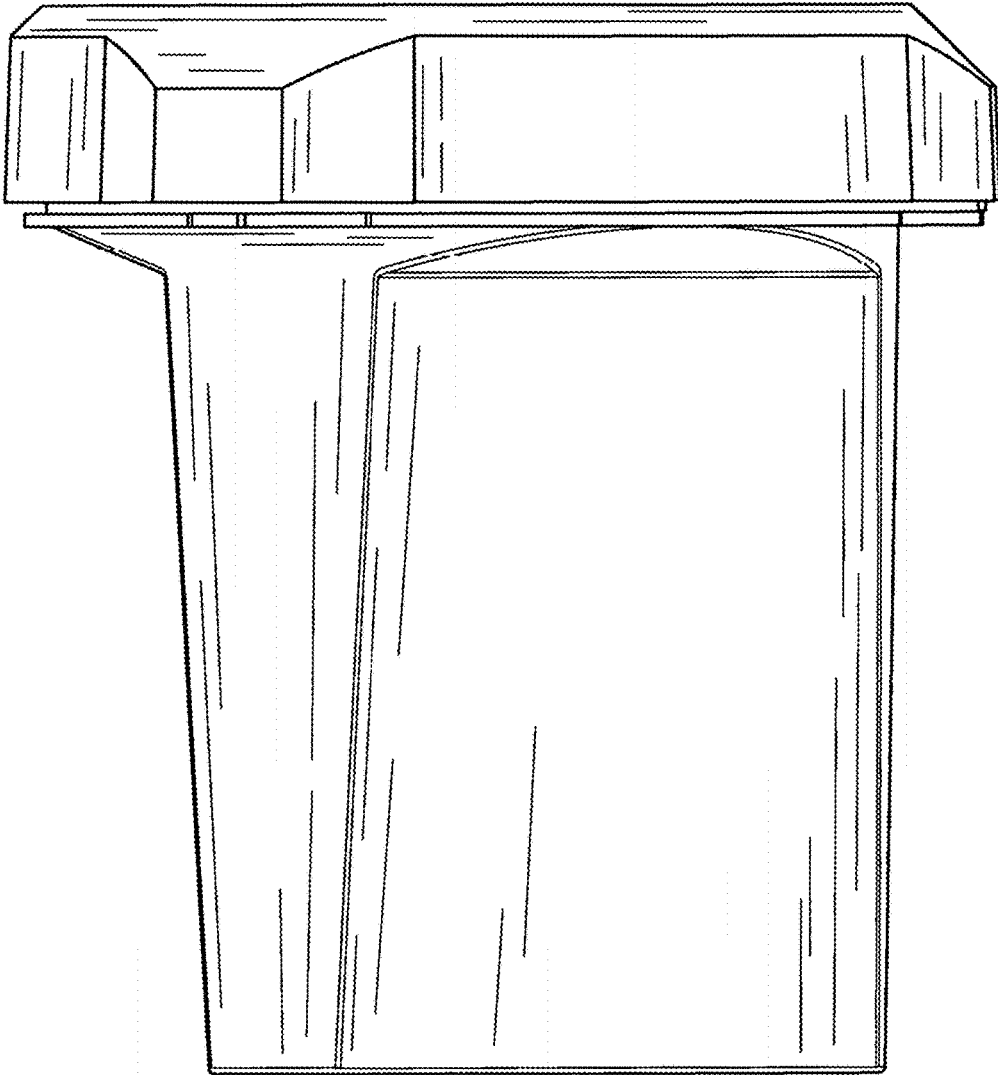


Fig. 3

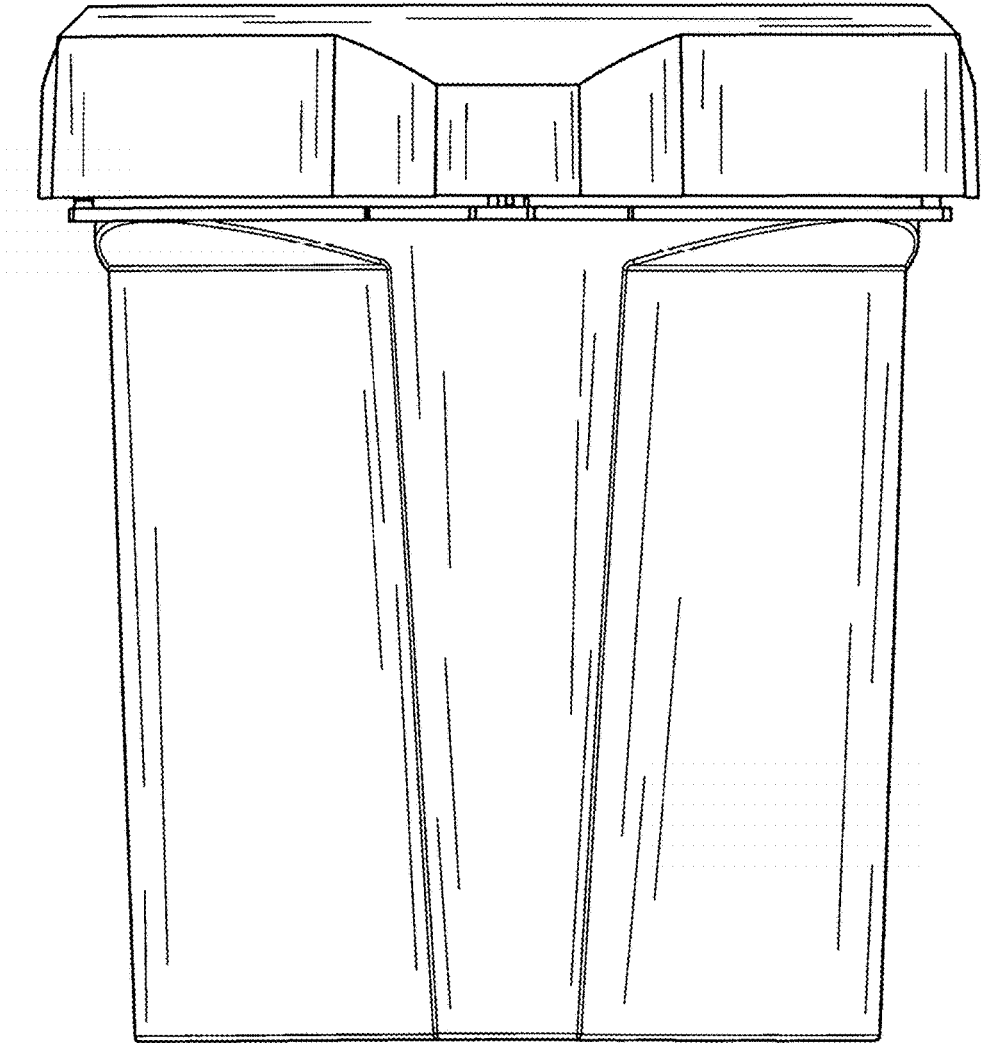


Fig. 4

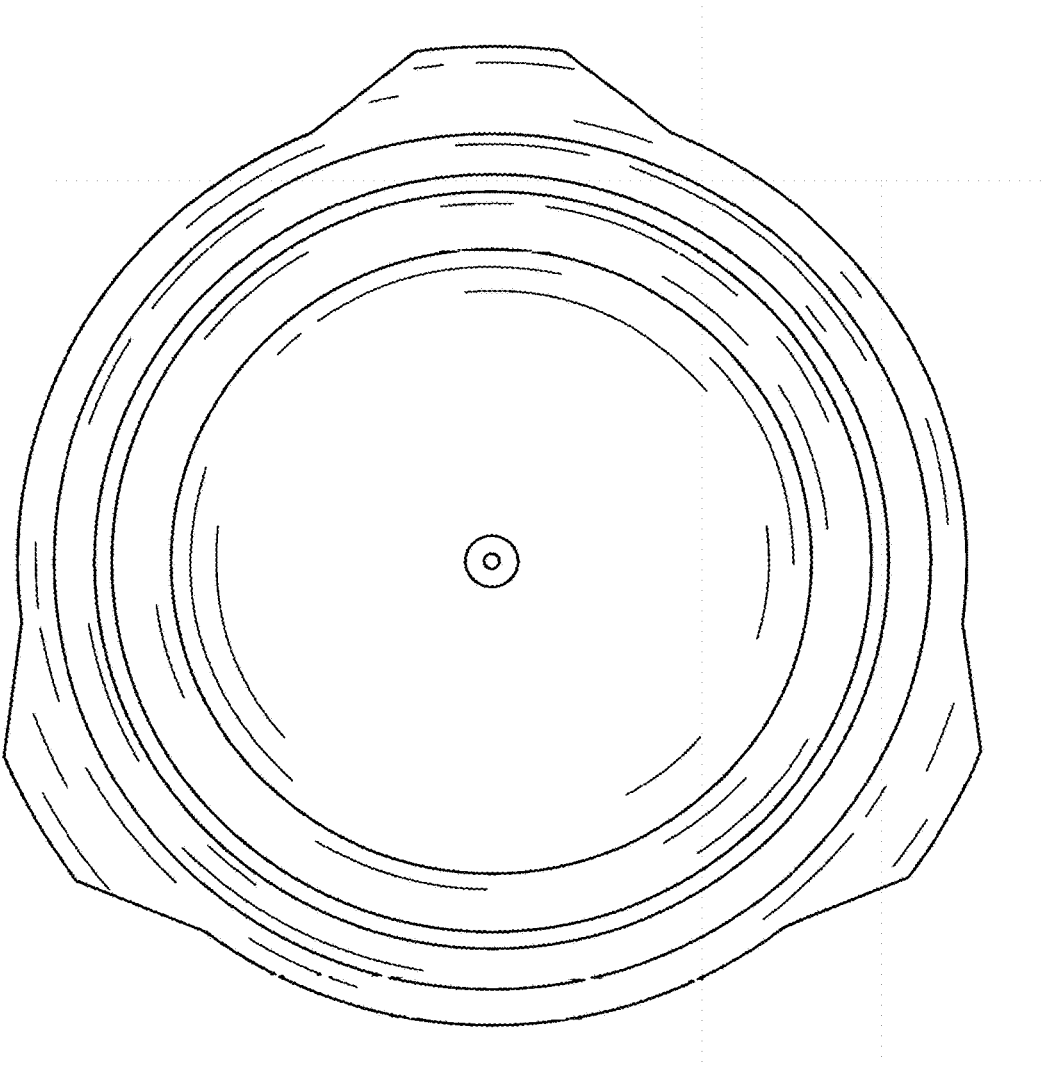


Fig. 5

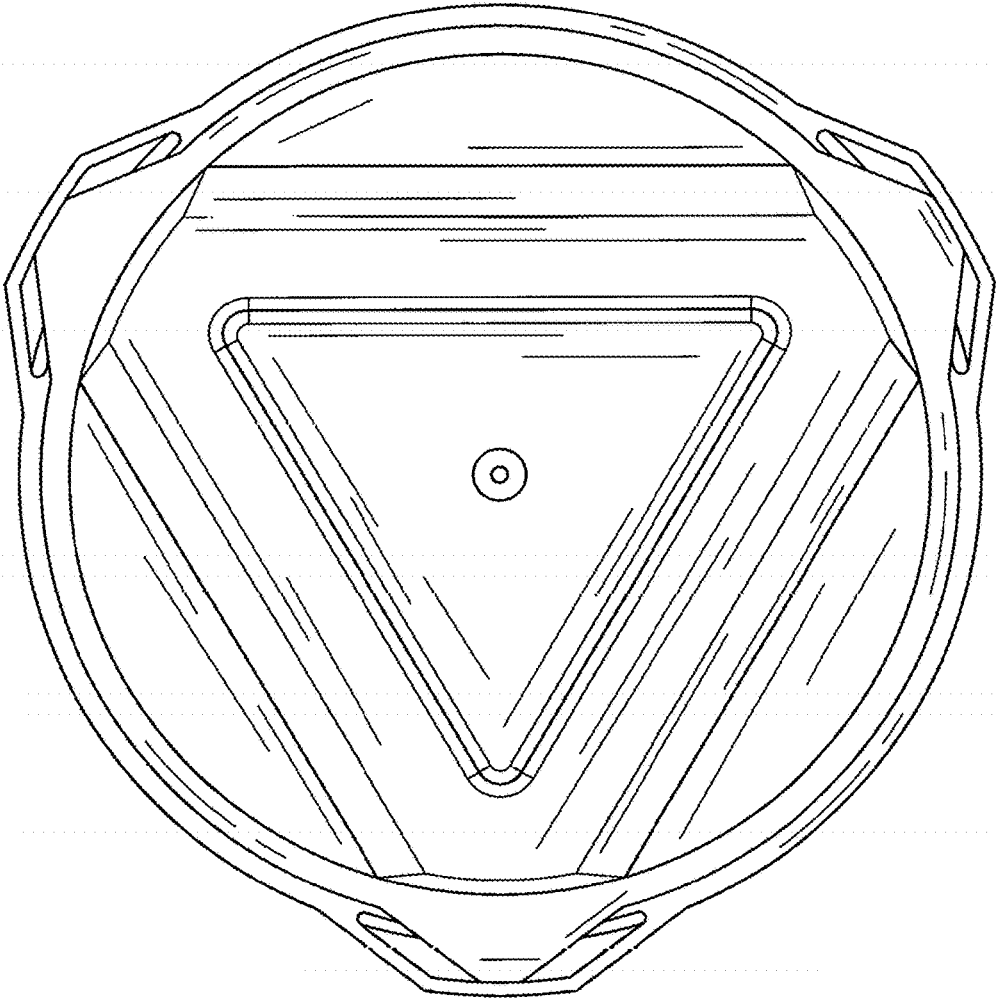


Fig. 6

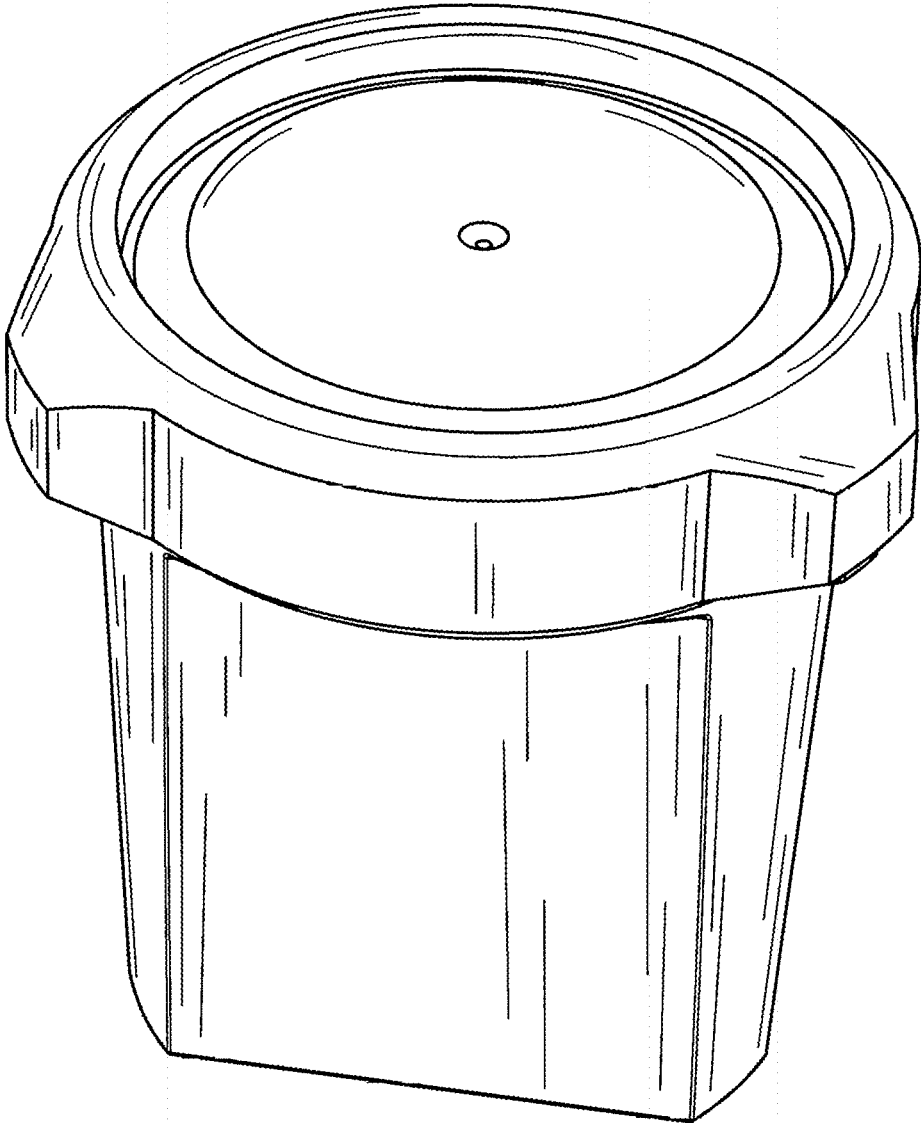


Fig. 7



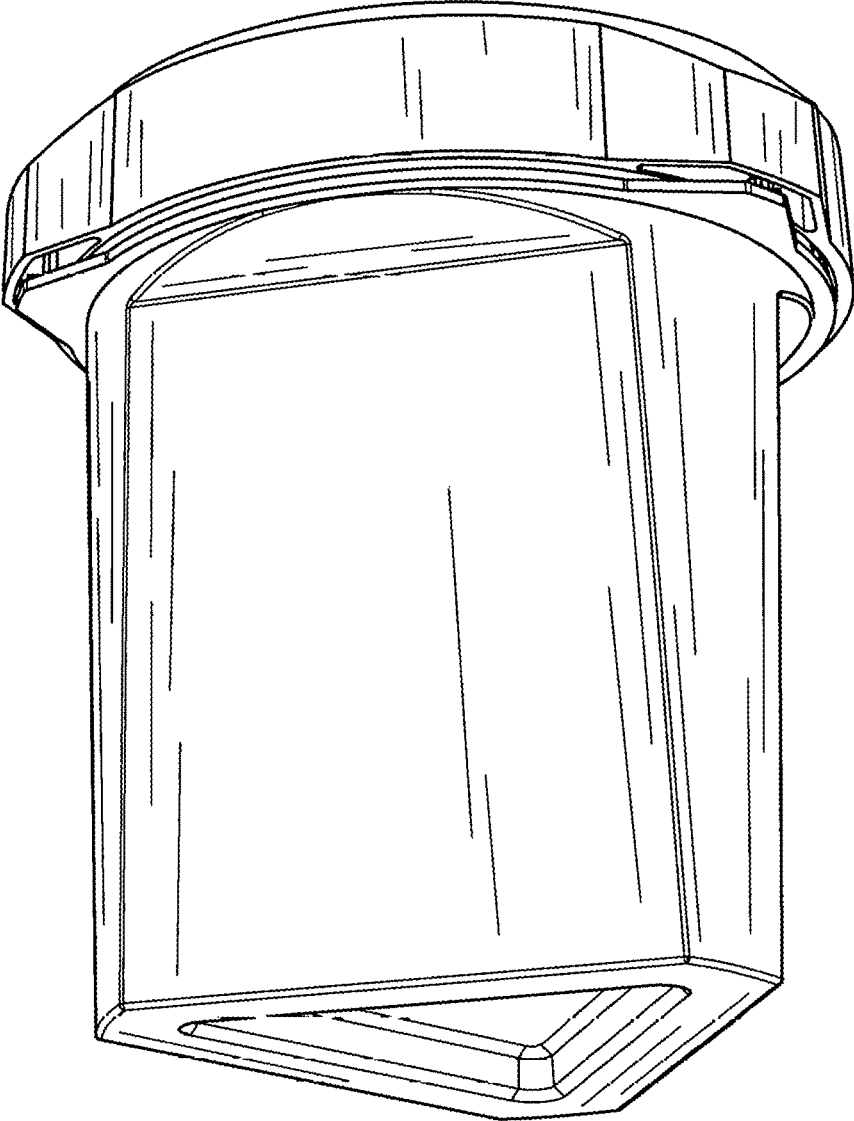


Fig. 8

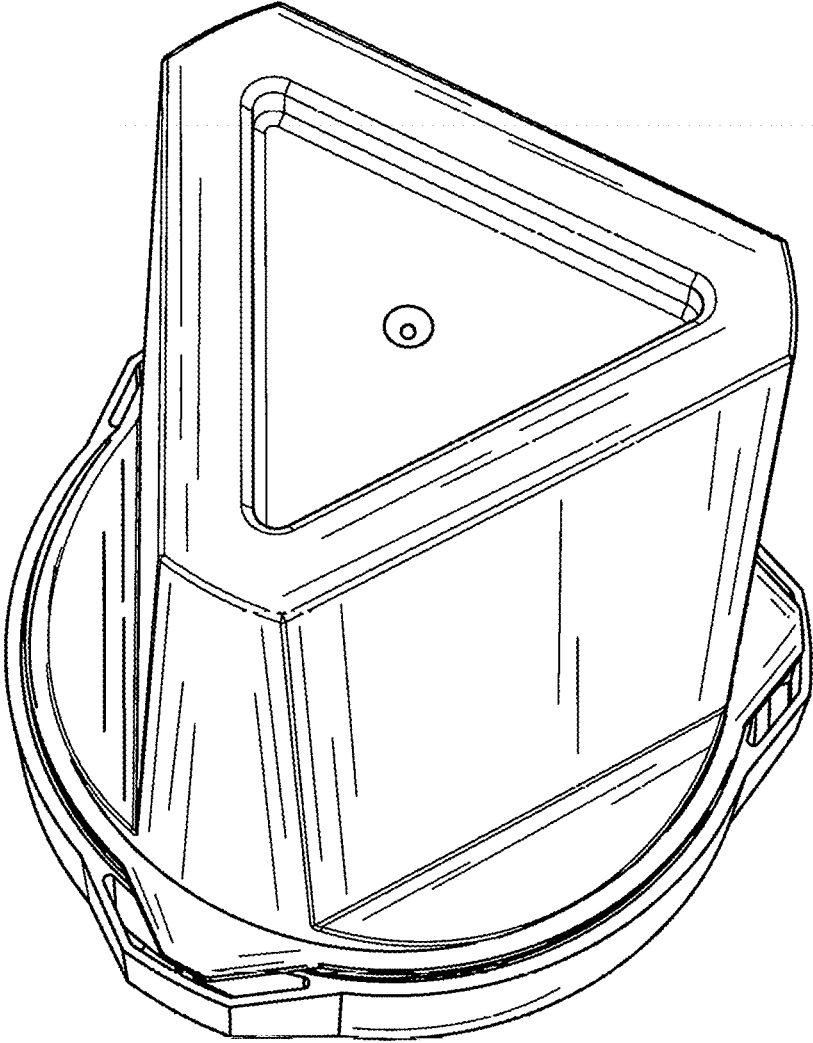


Fig. 9