

(12) **UK Patent Application** (19) **GB** (11) **2467897** (13) **A**

(43) Date of Reproduction by UK Office **18.08.2010**

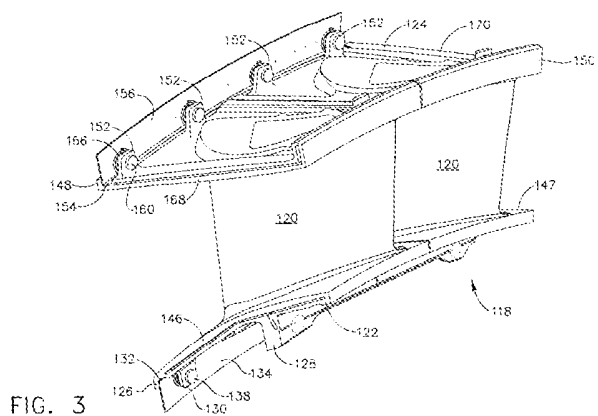
(21) Application No: **1011336.3**  
(22) Date of Filing: **11.12.2008**  
(30) Priority Data:  
(31) **11967167** (32) **29.12.2007** (33) **US**  
(86) International Application Data:  
**PCT/US2008/086310 En 11.12.2008**  
(87) International Publication Data:  
**WO2009/085620 En 09.07.2009**

(51) INT CL:  
**F01D 9/04** (2006.01) **F01D 9/02** (2006.01)  
**F01D 11/00** (2006.01) **F01D 25/24** (2006.01)  
(56) Documents Cited by ISA:  
**EP 1057975 A** **US 6464457 B1**  
**US 20070154305 A1**  
(58) Field of Search by ISA:  
INT CL **F01D**  
Other: **EPO-Internal**

(71) Applicant(s):  
**General Electric Company**  
**(Incorporated in USA - New York)**  
**One River Road, Schenectady, New York 12345,**  
**United States of America**  
(72) Inventor(s):  
**Clive Andrew Morgan**  
**Todd Stephen Heffron**  
**Sanjeewa Thusitha Fonseka**  
(74) Agent and/or Address for Service:  
**GE International Inc.**  
**15 John Adam Street, LONDON, WC2N 6LU,**  
**United Kingdom**

(54) Title of the Invention: **Turbine nozzle segment and assembly**  
Abstract Title: **Turbine nozzle segment and assembly**

(57) A turbine nozzle segment includes a band (122, 124) having a plurality of circumferentially spaced apart tabs (130) and a single airfoil (120) extending from the band.



**GB 2467897 A**