



US00D860211S

(12) **United States Design Patent**
Xie

(10) **Patent No.:** **US D860,211 S**

(45) **Date of Patent:** **** Sep. 17, 2019**

(54) **VIDEO GAME CONSOLE GRIP CASE**

(71) Applicant: **Yun Xie**, Shenzhen (CN)

(72) Inventor: **Yun Xie**, Shenzhen (CN)

(**) Term: **15 Years**

(21) Appl. No.: **29/626,442**

(22) Filed: **Nov. 17, 2017**

(30) **Foreign Application Priority Data**

May 19, 2017 (CN) 2017 3 0189748

(51) **LOC (12) Cl.** **14-02**

(52) **U.S. Cl.**
USPC **D14/440**

(58) **Field of Classification Search**
USPC D14/440; 206/45.23, 320, 45.2;
361/679.55; 294/25; 224/218
CPC ... G06F 1/1628; G06F 1/1626; A47B 23/044;
H04B 1/3888; H05K 5/0217
See application file for complete search history.

(56) **References Cited**

U.S. PATENT DOCUMENTS

6,726,070	B2 *	4/2004	Lautner	A44C 5/0007 224/221
D492,303	S *	6/2004	Schlieffers	D14/341
D591,801	S *	5/2009	Mak	D21/469
D594,004	S *	6/2009	Takemasa	D14/341
D611,467	S *	3/2010	Gou	D14/315
D613,285	S *	4/2010	Grant	D14/341
D626,123	S *	10/2010	Peng	D14/324
D676,449	S *	2/2013	Probst	D14/440
D685,376	S *	7/2013	Kim	D14/439
D689,056	S *	9/2013	Li	D14/440
D690,704	S *	10/2013	Padilla	D14/440
D691,144	S *	10/2013	Peters	D14/440
D691,146	S *	10/2013	Perez	D14/440

D694,246	S *	11/2013	Park	D14/440
D703,672	S *	4/2014	Kim	D14/440
8,690,210	B1 *	4/2014	May	A45F 5/00 224/217
D712,412	S *	9/2014	Bleau	D14/440
D721,075	S *	1/2015	Toda	D14/342
D721,376	S *	1/2015	Lee	D14/440
D725,659	S *	3/2015	Tussy	D14/440
D727,917	S *	4/2015	Yeo	D14/440
D733,154	S *	6/2015	Armstrong	D14/440
D741,335	S *	10/2015	Bastian	D14/440
D747,321	S *	1/2016	London	D14/440
D749,592	S *	2/2016	Huang	D14/440
D752,052	S *	3/2016	Park	D14/440
D754,666	S *	4/2016	Tiffen	D14/440
D763,853	S *	8/2016	Pearce	D14/440
D765,085	S *	8/2016	Moore	D14/440

(Continued)

Primary Examiner — Cynthia R Underwood

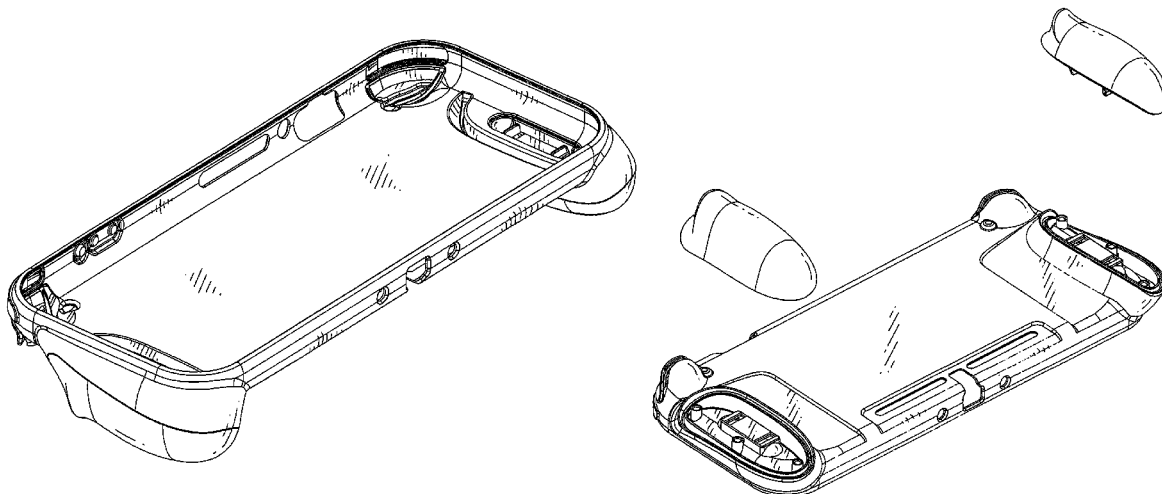
(57) **CLAIM**

The ornamental design for a video game console grip case, as shown and described.

DESCRIPTION

FIG. 1 is a front elevational view of a video game console grip case showing my new design;
 FIG. 2 is a rear elevational view thereof;
 FIG. 3 is a left side elevational view thereof;
 FIG. 4 is a right side elevational view thereof;
 FIG. 5 is a bottom plan view thereof;
 FIG. 6 is a top plan view thereof;
 FIG. 7 is a perspective view thereof;
 FIG. 8 is another perspective view of the video game console grip case showing a video game being disposed therein; and,
 FIG. 9 is an exploded view showing grips being removed from the video game console grip case.
 The broken lines represent an environment of use and form no part of the claim.

1 Claim, 9 Drawing Sheets



(56)

References Cited

U.S. PATENT DOCUMENTS

9,407,743	B1 *	8/2016	Hirshberg	H04M 1/04	2009/0219677	A1 *	9/2009	Mori	A45F 3/14
D766,249	S *	9/2016	Veltz	D14/440					361/679.03
D771,030	S *	11/2016	Tussy	D14/250	2011/0267748	A1 *	11/2011	Lane	A45F 5/00
D784,350	S *	4/2017	Li	D14/440					361/679.01
D794,007	S *	8/2017	Zhang	D14/250	2011/0309117	A1 *	12/2011	Roberts	A45F 5/00
D794,625	S *	8/2017	Armstrong	D14/250					224/217
D797,106	S *	9/2017	Paolizzi	D14/426	2012/0075799	A1 *	3/2012	Pollex	F16M 11/041
D803,222	S *	11/2017	Cheng	D14/440					361/679.56
D806,080	S *	12/2017	Chen	D14/440	2012/0091312	A1 *	4/2012	Baker	F16M 13/00
D806,083	S *	12/2017	Armstrong	D14/440					248/682
D807,366	S *	1/2018	Chen	D14/440	2014/0054910	A1 *	2/2014	Kim	H04B 1/385
D810,065	S *	2/2018	Tien	D14/250					294/158
D810,066	S *	2/2018	Tien	D14/250	2014/0152034	A1 *	6/2014	Tussy	F16M 13/04
D811,386	S *	2/2018	Oakley	D14/341					294/142
D817,316	S *	5/2018	Srouf	D14/251	2015/0009610	A1 *	1/2015	London	G06F 1/163
D821,405	S *	6/2018	Chen	D14/440					361/679.03
2004/0226973	A1 *	11/2004	Kao	F16M 11/041	2015/0068934	A1 *	3/2015	Armstrong	A45C 11/00
				224/218					206/320
2007/0215512	A1 *	9/2007	Bellissimo	A47G 23/0625	2015/0201743	A1 *	7/2015	Erickson-Davis	A45F 5/00
				206/557					224/218
					2017/0045920	A1 *	2/2017	Armstrong	G06F 1/1669

* cited by examiner

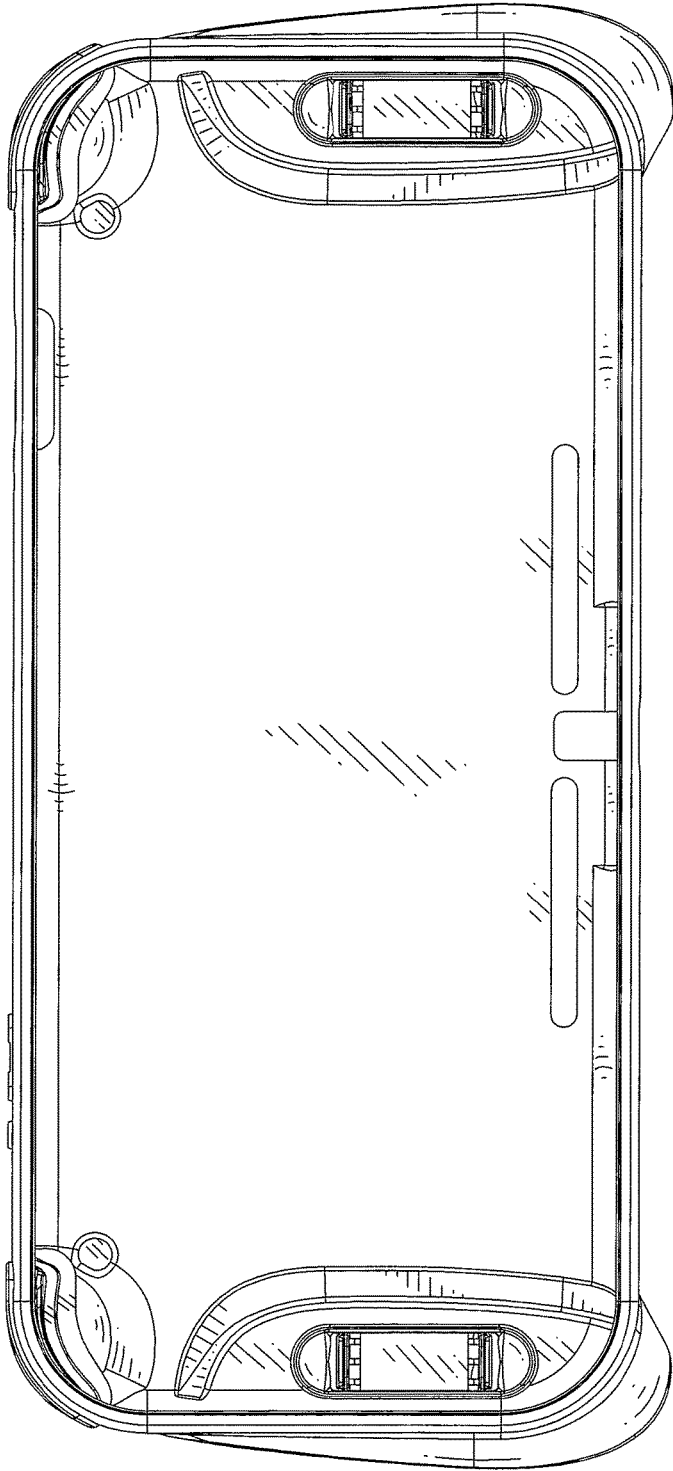


Fig.1

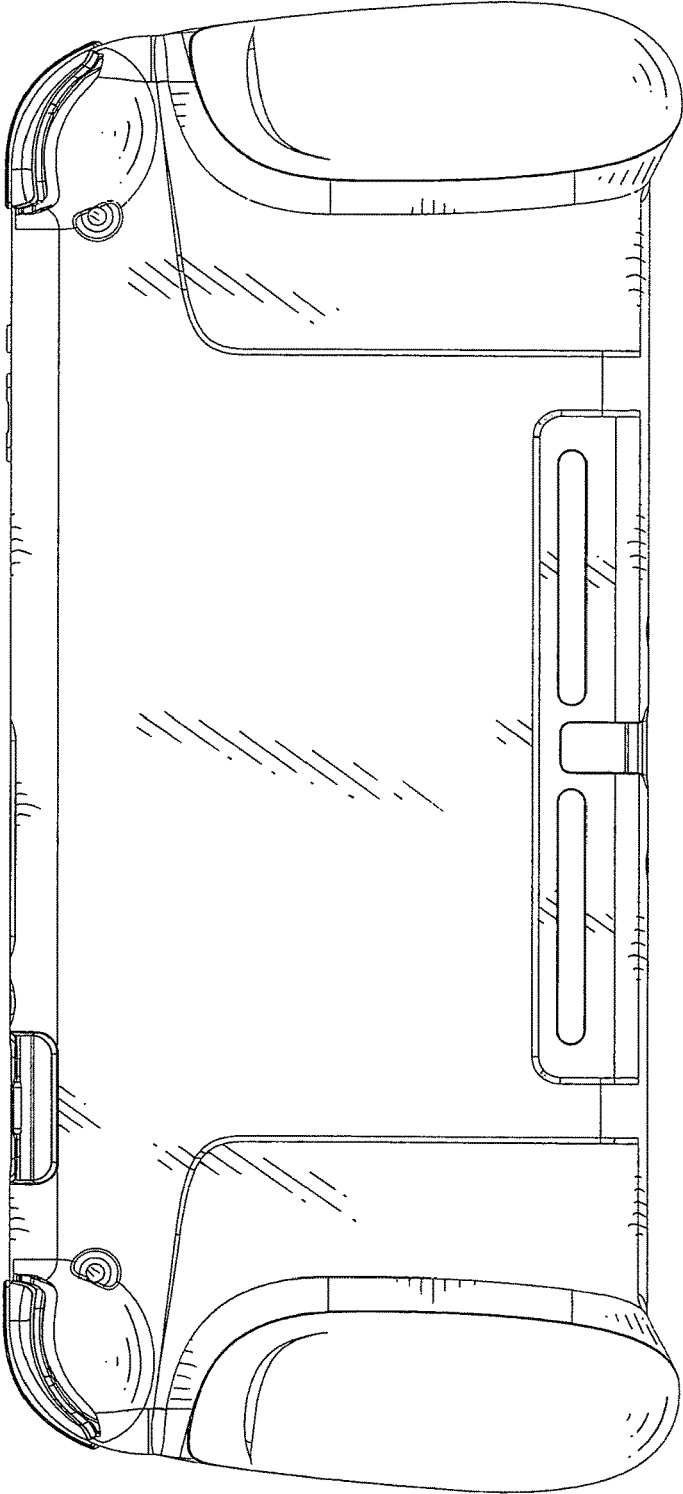


Fig.2

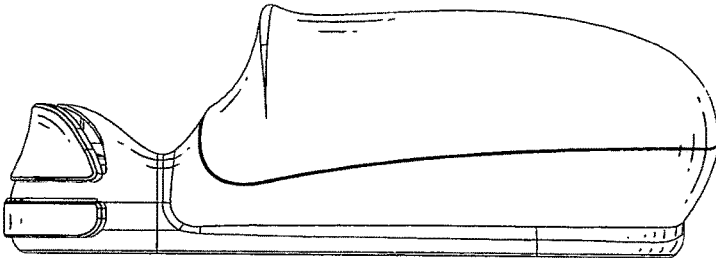


Fig.3

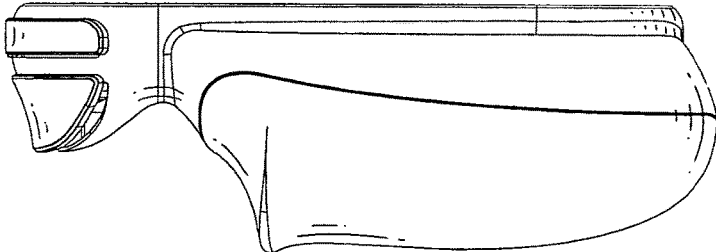


Fig.4

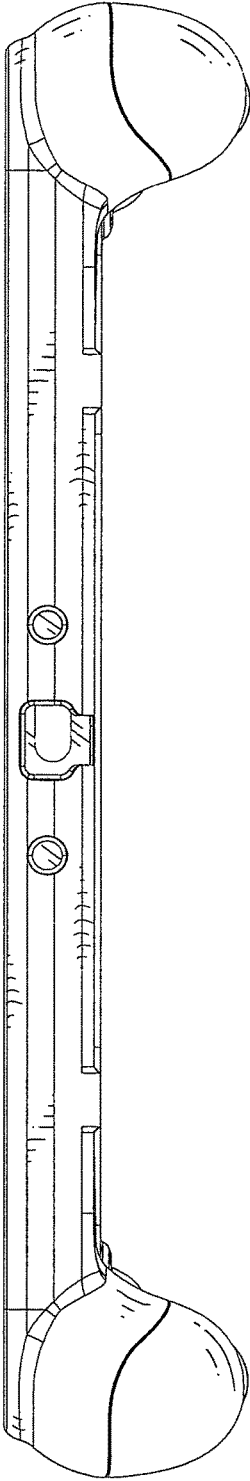


Fig. 5

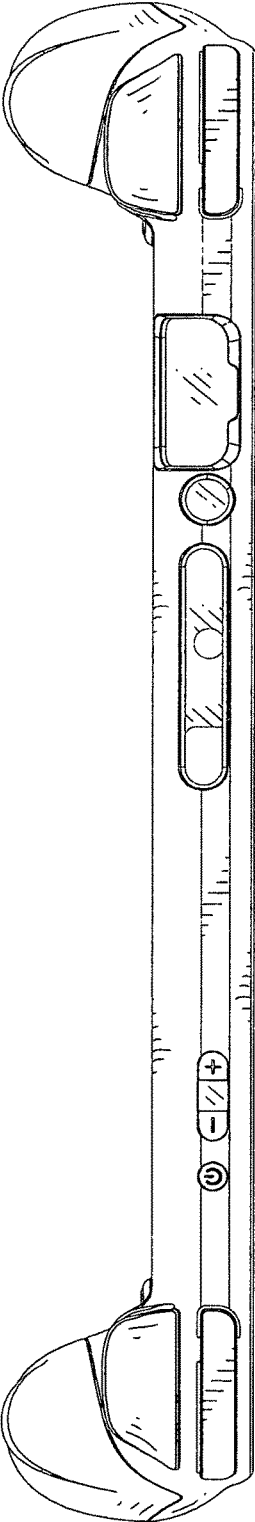


Fig.6

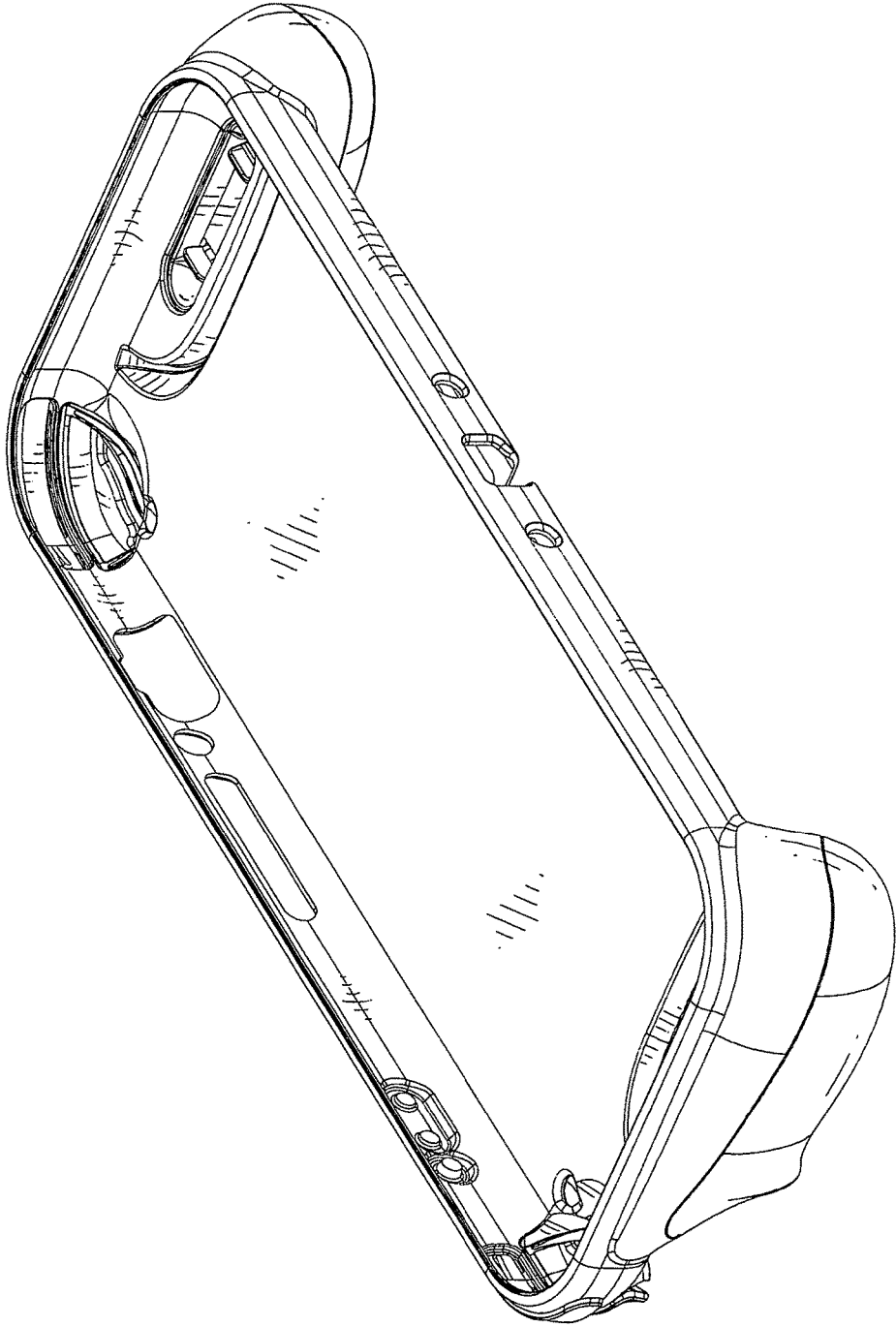


Fig.7

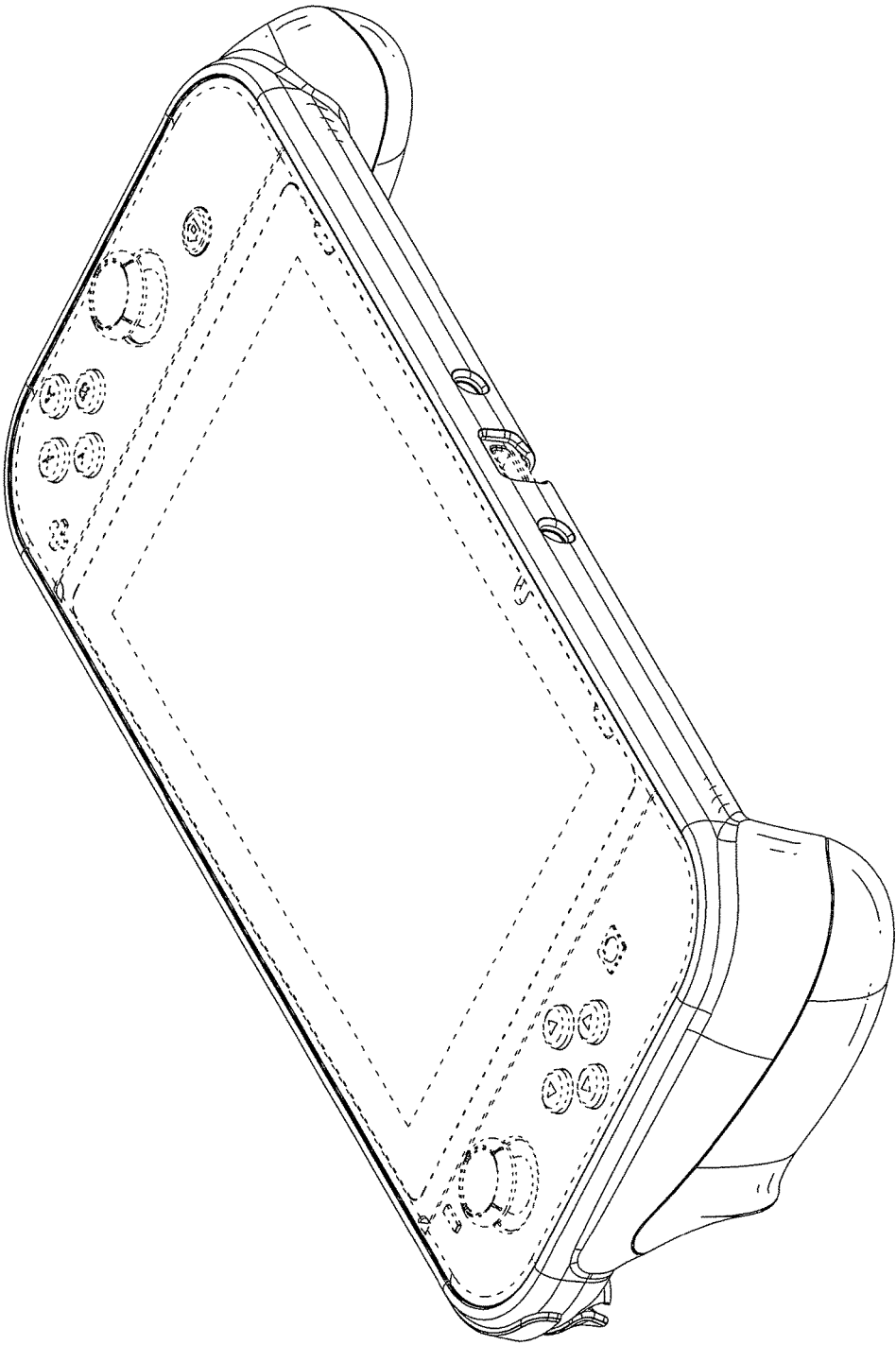


Fig.8

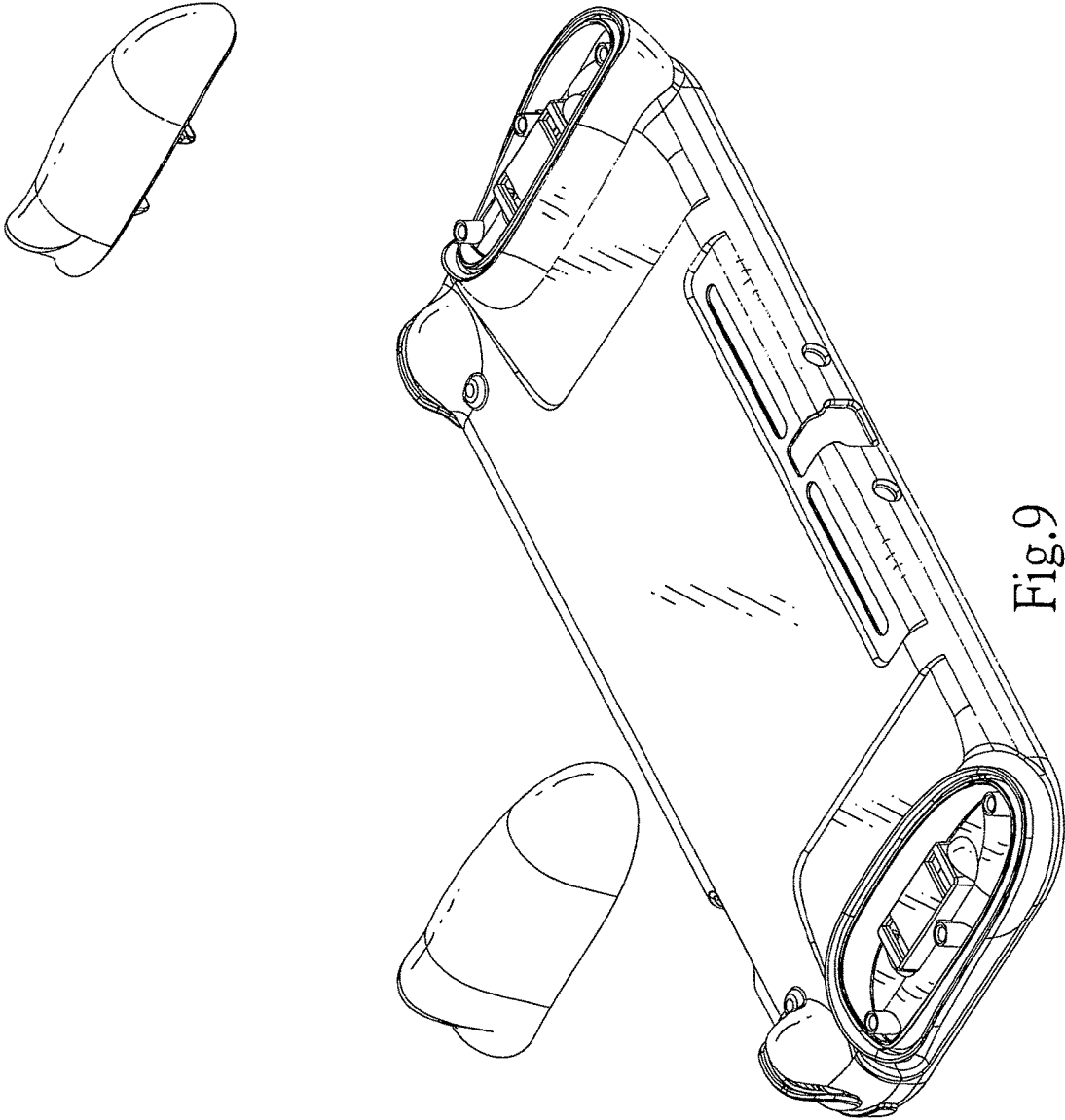


Fig. 9