



US00D764120S

(12) **United States Design Patent**  
**Choi et al.**

(10) **Patent No.:** **US D764,120 S**

(45) **Date of Patent:** **\*\* Aug. 16, 2016**

(54) **WASHING MACHINE**

(71) Applicant: **Samsung Electronics Co., Ltd.**,  
Suwon-si (KR)

(72) Inventors: **Hyoung-Sub Choi**, Goyang-si (KR);  
**Deok-Sang Yun**, Ansan-si (KR)

(73) Assignee: **SAMSUNG ELECTRONICS CO., LTD** (KR)

(\*\*) Term: **15 Years**

(21) Appl. No.: **29/530,865**

(22) Filed: **Jun. 19, 2015**

(30) **Foreign Application Priority Data**

Dec. 22, 2014 (KR) ..... 30-2014-0062378

(51) **LOC (10) Cl.** ..... **15-05**

(52) **U.S. Cl.**  
USPC ..... **D32/6**

(58) **Field of Classification Search**  
USPC ..... D32/1, 5, 6, 8  
CPC ... D06F 33/02; D06F 39/02; D06F 2204/065;  
D06F 25/00; D06F 35/006; D06F 58/00;  
D06F 58/02; D06F 58/04; D06F 58/20;  
D06F 23/04; G05B 19/042  
See application file for complete search history.

(56) **References Cited**

**U.S. PATENT DOCUMENTS**

D422,387 S *	4/2000	Mutoh	.....	D32/25
D446,891 S *	8/2001	Kim, II	.....	D32/6
D524,494 S *	7/2006	Kim, II	.....	D32/9
D541,491 S *	4/2007	Jun	.....	D32/6
D619,314 S *	7/2010	Bixby	.....	D32/25
D621,563 S *	8/2010	Bixby	.....	D32/25

D648,085 S *	11/2011	Miller	.....	D32/28
D648,497 S *	11/2011	Bhattacharya	.....	D32/28
D654,640 S *	2/2012	Song	.....	D32/6
D697,680 S *	1/2014	Hwang	.....	D32/25
D704,907 S *	5/2014	Yoo	.....	D32/6
D709,657 S *	7/2014	Shin	.....	D32/25
D711,605 S *	8/2014	Jo	.....	D32/25
D729,467 S *	5/2015	Jee	.....	D32/6
D729,994 S *	5/2015	Kang	.....	D32/6
D729,995 S *	5/2015	Song	.....	D32/6
D730,594 S *	5/2015	Kang	.....	D32/6
D730,595 S *	5/2015	Jeong	.....	D32/6
D733,372 S *	6/2015	Song	.....	D32/6
D744,177 S *	11/2015	Jung	.....	D32/6
D748,355 S *	1/2016	Sim	.....	D32/6
2009/0229320 A1 *	9/2009	Yoo	.....	D06F 39/14 68/3 R
2015/0123521 A1 *	5/2015	Lee	.....	D06F 39/14 312/228

\* cited by examiner

*Primary Examiner* — T. Chase Nelson

*Assistant Examiner* — Michelle E Wilson

(74) *Attorney, Agent, or Firm* — Cantor Colburn LLP

(57) **CLAIM**

The ornamental design for a washing machine, as shown and described.

**DESCRIPTION**

FIG. 1 is a perspective view of a washing machine, showing our new design;

FIG. 2 is a front view thereof;

FIG. 3 is a rear view thereof;

FIG. 4 is a side view thereof;

FIG. 5 is another side view thereof;

FIG. 6 is a top view thereof; and,

FIG. 7 is a bottom view thereof.

The broken lines in the figures are for environmental purposes only and form no part of the claimed design.

**1 Claim, 7 Drawing Sheets**

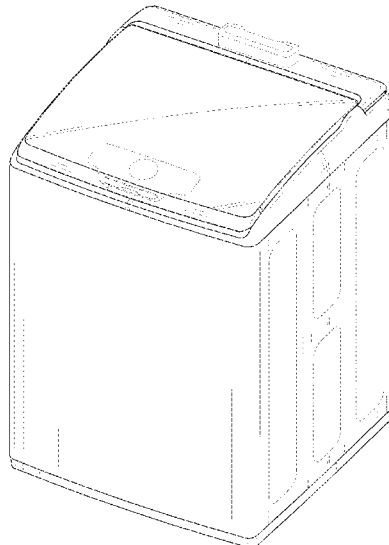


FIG. 1

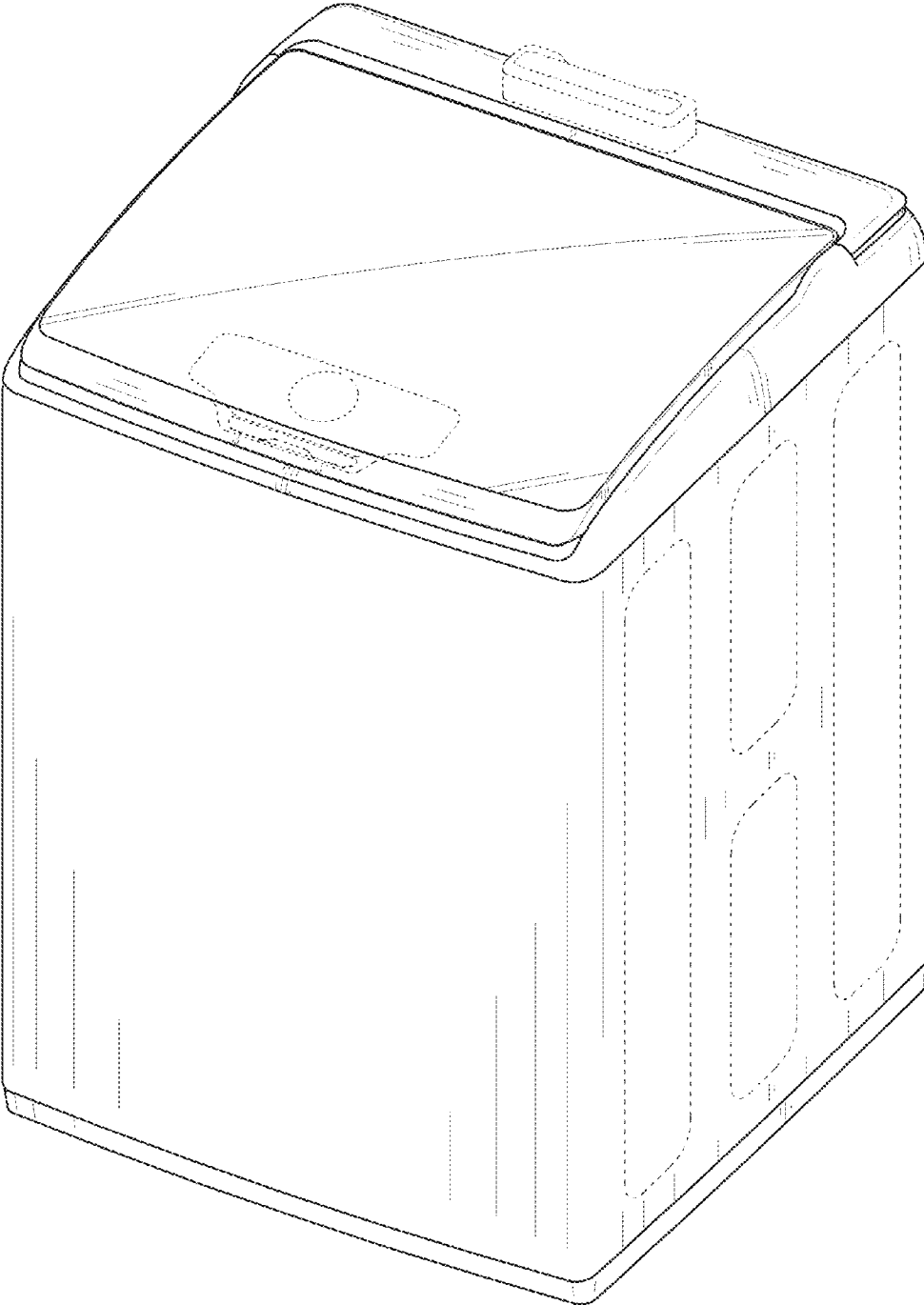


FIG. 2



FIG. 3

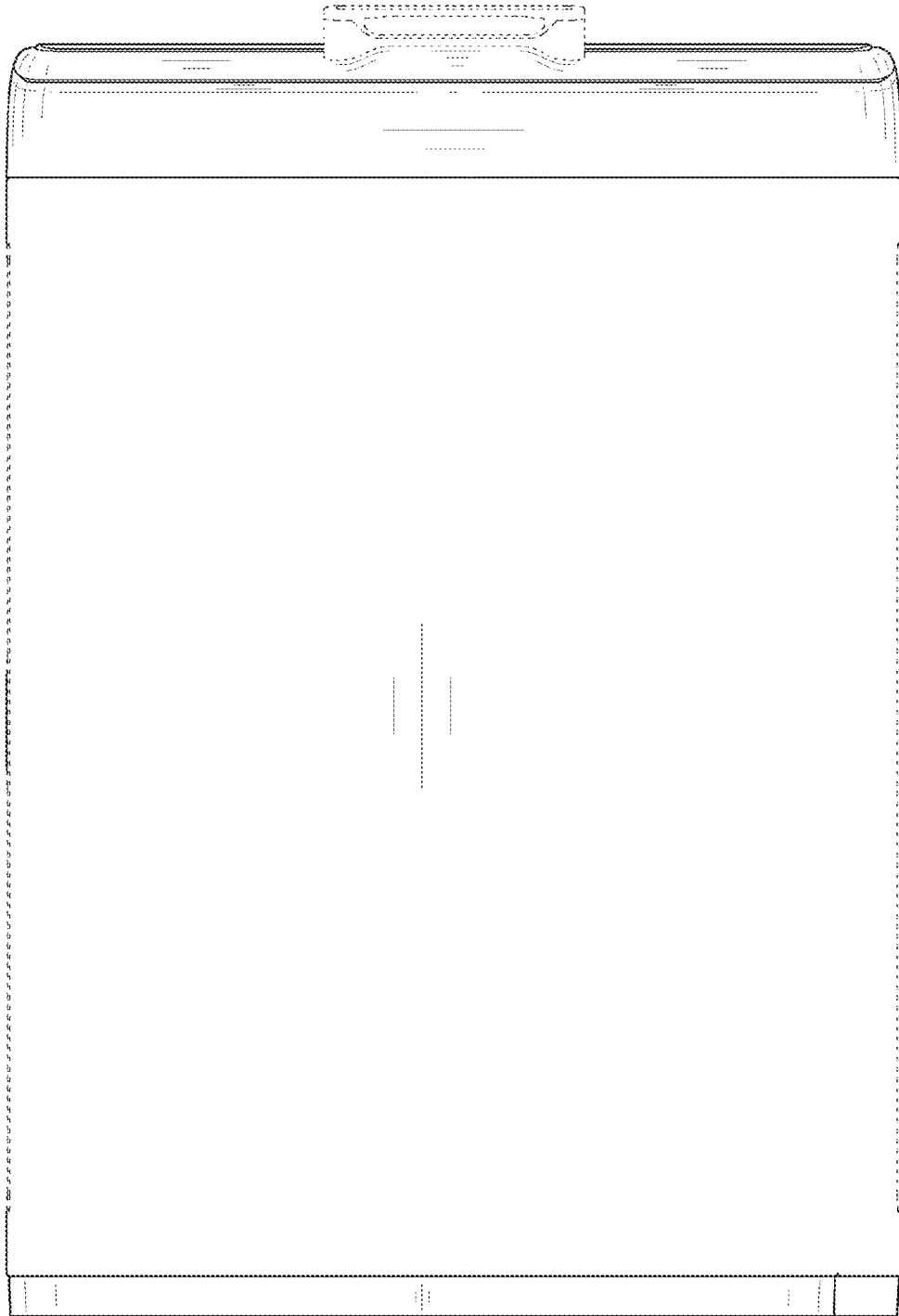


FIG. 4

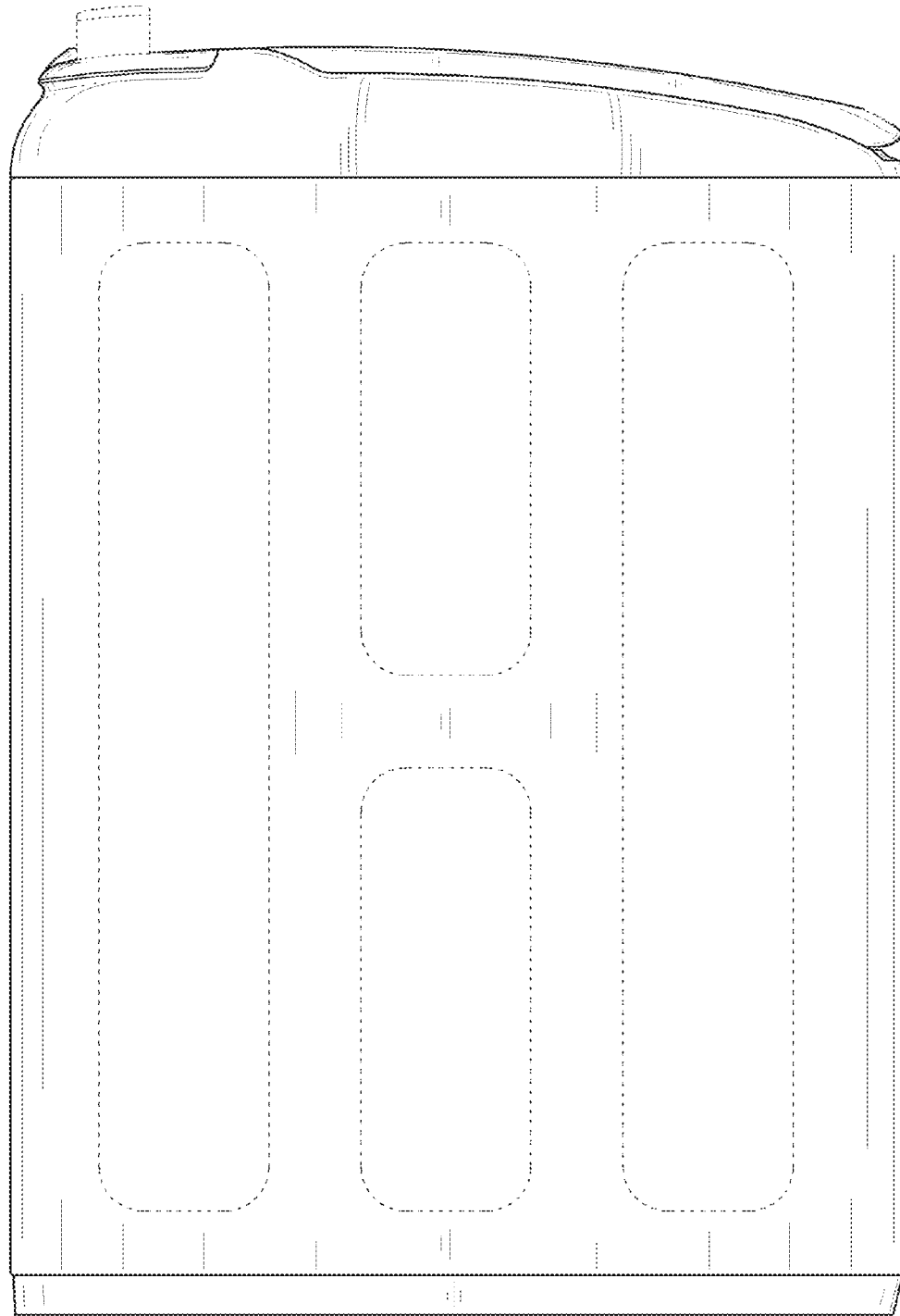


FIG. 5

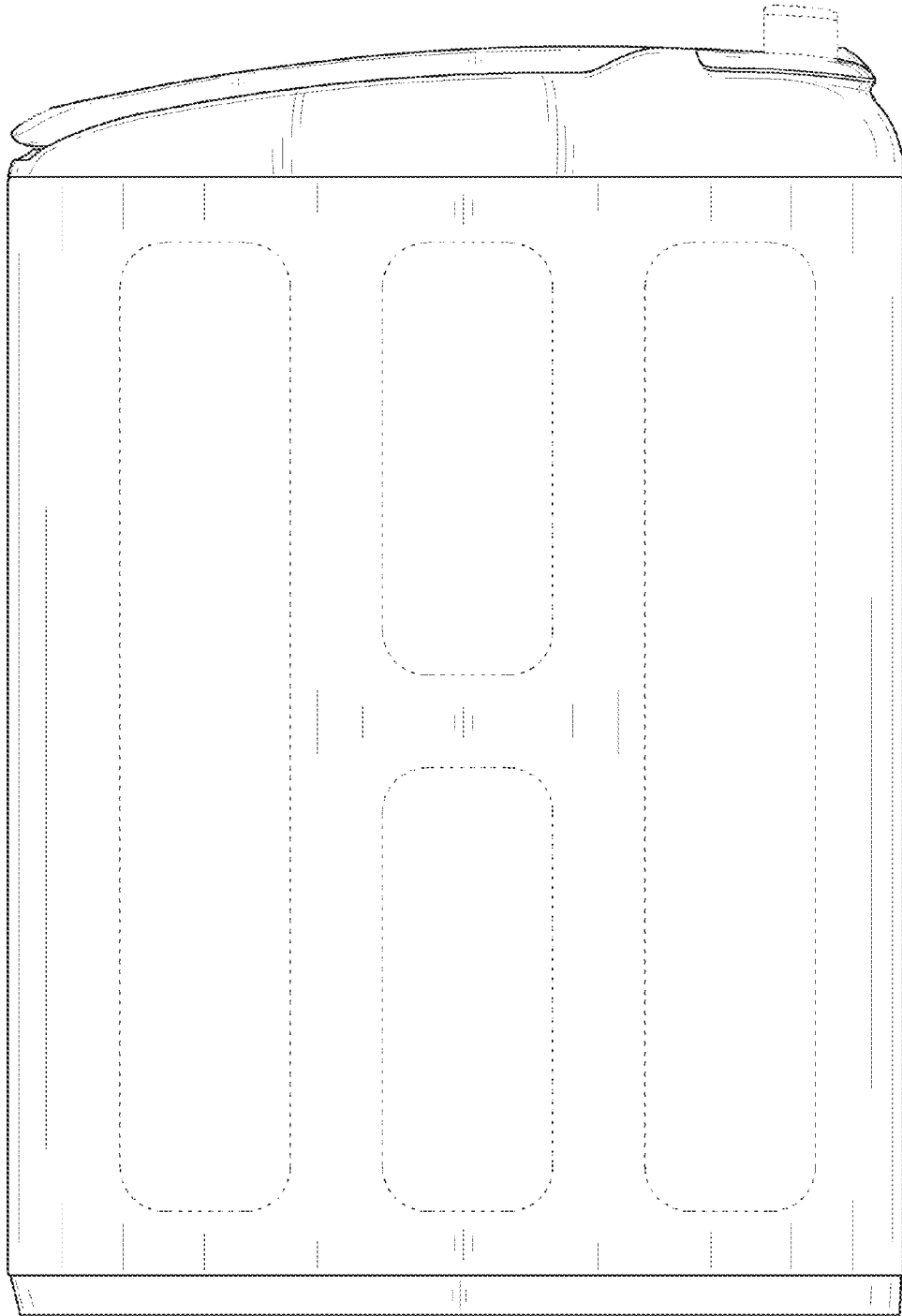


FIG. 6

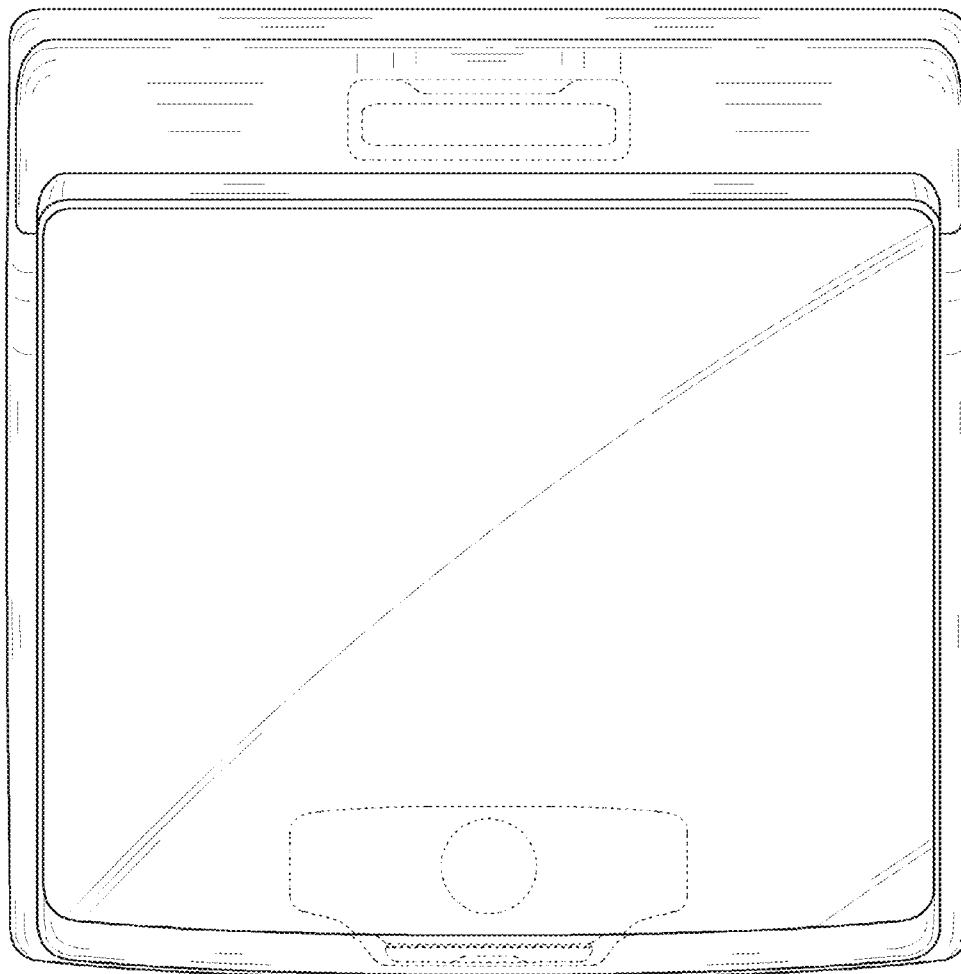


FIG. 7

