



US00D857626S

(12) **United States Design Patent**
Zhang et al.

(10) **Patent No.:** **US D857,626 S**

(45) **Date of Patent:** **** Aug. 27, 2019**

- (54) **WIRELESS CHARGER**
- (71) Applicant: **Ugreen Group Limited**, Shenzhen (CN)
- (72) Inventors: **Qingsen Zhang**, Shenzhen (CN); **Junling Chen**, Shenzhen (CN); **Bolin Luo**, Shenzhen (CN); **Fengyou Zhang**, Shenzhen (CN)
- (**) Term: **15 Years**
- (21) Appl. No.: **29/649,555**
- (22) Filed: **May 31, 2018**
- (51) **LOC (12) Cl.** **13-02**
- (52) **U.S. Cl.**
USPC **D13/108**
- (58) **Field of Classification Search**
USPC D13/107-110, 118-119, 184, 199;
D14/251, 253, 432, 434
CPC Y02E 60/12; Y02T 90/14; Y02T 90/122;
Y02T 90/128; Y02T 90/163; Y02T 10/7005; Y02T 10/7088; H02J 7/025; H02J 7/0042; H02J 7/0044; H02J 7/0045; H02J 7/0003; H01F 38/14; H01R 13/6675; H01M 2/1022; H01M 2/1055; H01M 10/44; H01M 10/46; H01M 10/425; B60L 11/182
See application file for complete search history.

D638,789 S *	5/2011	Markowitz	D13/108
D691,947 S *	10/2013	Cole	D13/108
D724,025 S *	3/2015	Peek	D13/108
D743,334 S *	11/2015	Peek	D13/108
D762,650 S *	8/2016	Dang	D14/434
D763,263 S *	8/2016	Wierenga	D14/434
D764,406 S *	8/2016	Uchida	D13/108
D772,216 S *	11/2016	Lau	D13/108
D799,463 S *	10/2017	Deng	D14/252
9,843,214 B2 *	12/2017	Peek	H02J 7/0042
D813,805 S *	3/2018	Zhong	D13/108
9,996,055 B2 *	6/2018	Wierenga	G04G 19/00
D826,851 S *	8/2018	Wang	D13/108
D827,568 S *	9/2018	Turksu	D13/108
D839,190 S *	1/2019	Xie	D13/108
2016/0261139 A1 *	9/2016	Kidakarn	H02J 7/025

* cited by examiner

Primary Examiner — Rosemary K Tarcza
(74) *Attorney, Agent, or Firm* — Jie Yang; Zan IP LLC

(57) **CLAIM**

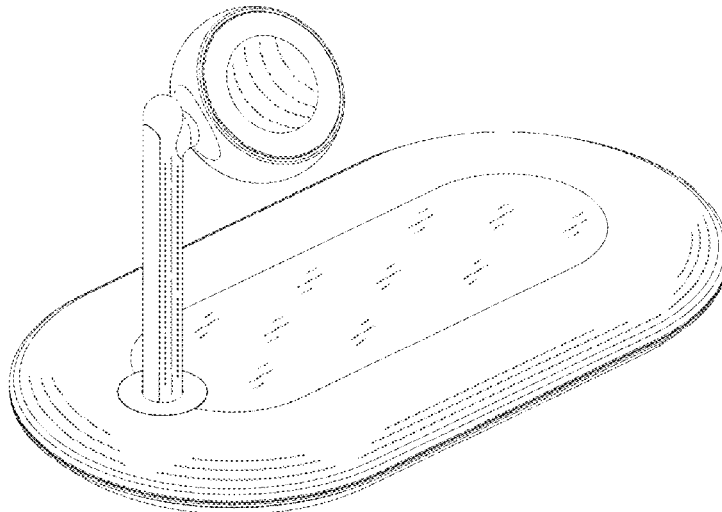
The ornamental design for a wireless charger, as shown and described.

DESCRIPTION

FIG. 1 is a Perspective view of a wireless charger showing my new design;
FIG. 2 is a Front elevational view thereof;
FIG. 3 is a Rear elevational view thereof;
FIG. 4 is a Left side view thereof;
FIG. 5 is a Right side view thereof;
FIG. 6 is a Top plan view thereof; and,
FIG. 7 is a Bottom plan view thereof.

1 Claim, 7 Drawing Sheets

- (56) **References Cited**
U.S. PATENT DOCUMENTS
D489,322 S * 5/2004 Sawai D13/108
D549,232 S * 8/2007 Li D14/434



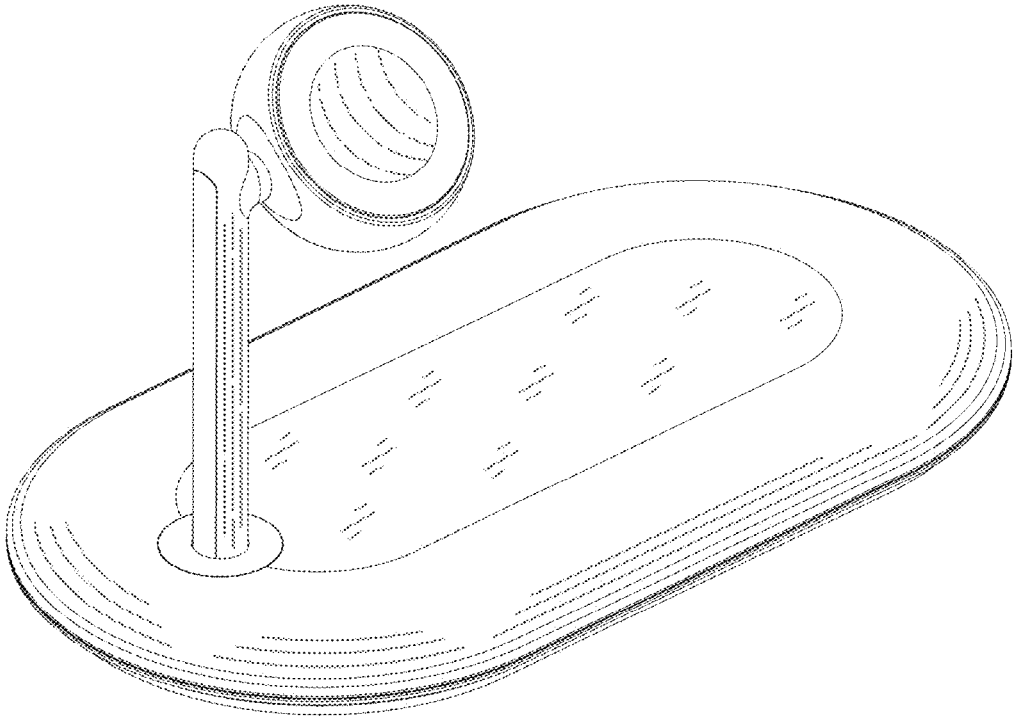


FIG. 1

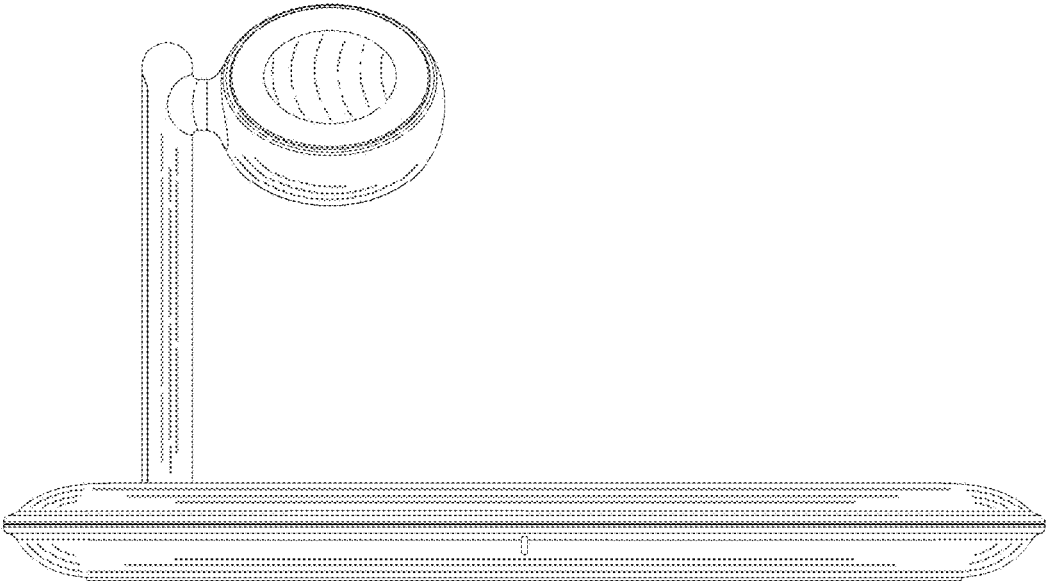


FIG. 2

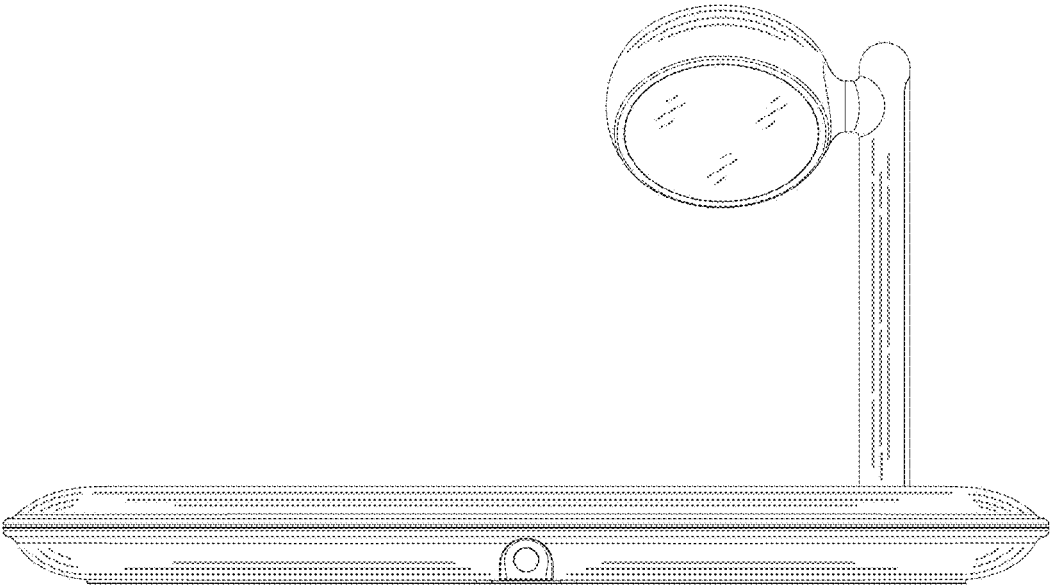


FIG. 3

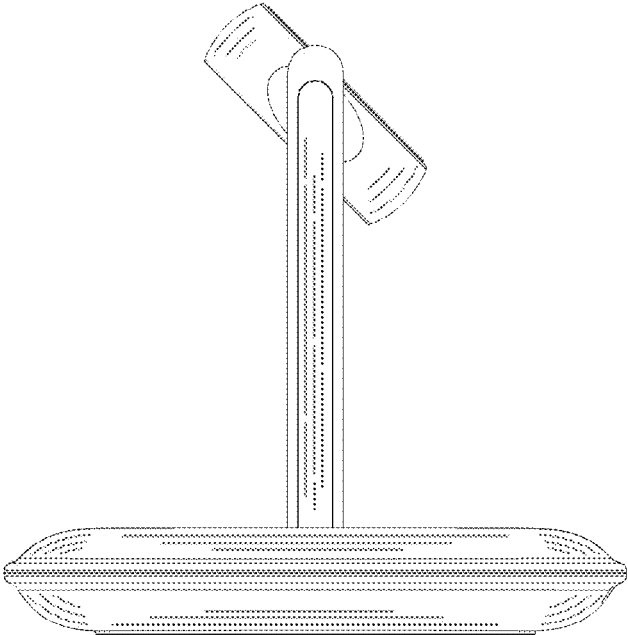


FIG. 4

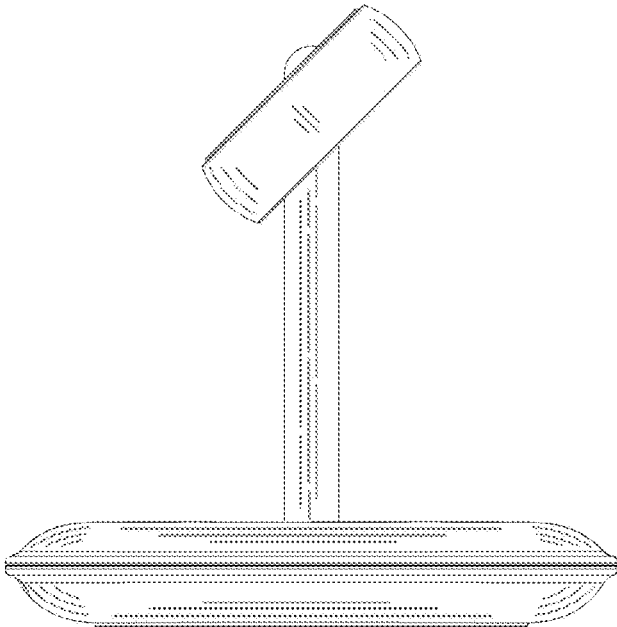


FIG. 5

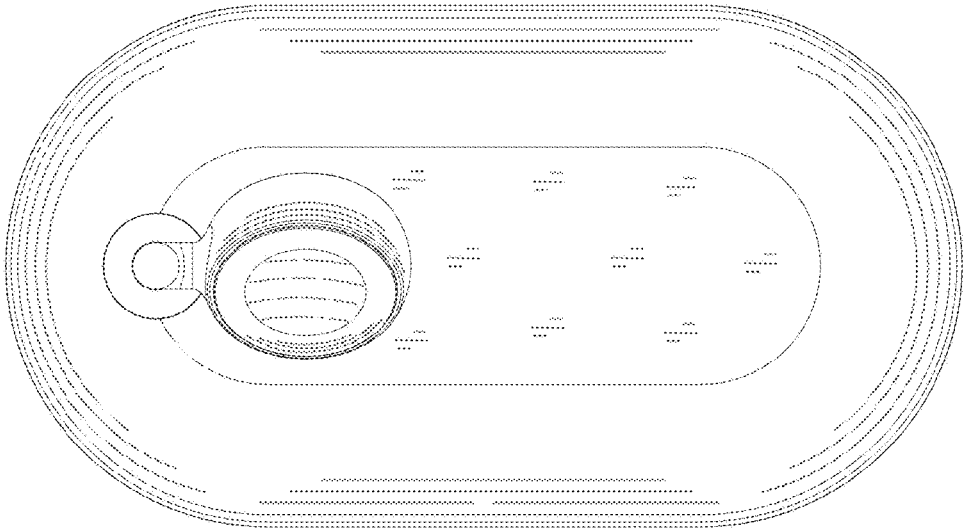


FIG. 6

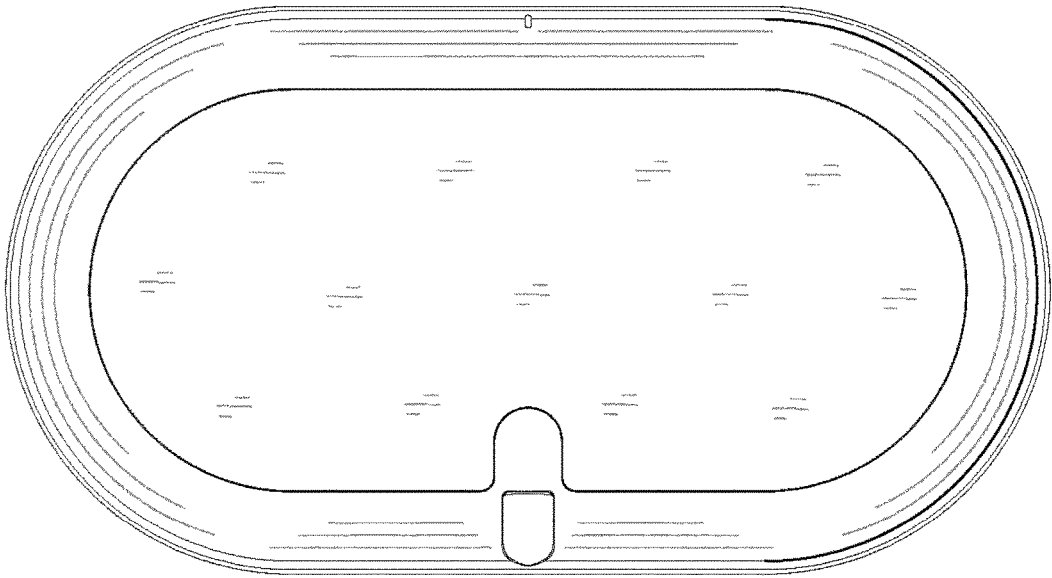


FIG. 7