



US00D852625S

(12) **United States Design Patent**
Meyers

(10) **Patent No.:** **US D852,625 S**

(45) **Date of Patent:** **** Jul. 2, 2019**

- (54) **MOUTHPIECE**
- (71) Applicant: **Runway Blue, LLC**, Alpine, UT (US)
- (72) Inventor: **David O. Meyers**, East Layton, UT (US)
- (73) Assignee: **Runway Blue, LLC**, Alpine, UT (US)
- (**) Term: **15 Years**
- (21) Appl. No.: **29/634,621**
- (22) Filed: **Jan. 23, 2018**

D462,009 S 8/2002 Poisson et al.
 7,124,917 B2 10/2006 Lee
 D547,605 S 7/2007 Edelstein et al.
 (Continued)

OTHER PUBLICATIONS

Design U.S. Appl. No. 29/580,624, filed Oct. 11, 2016, titled "Mouthpiece", 20 pages.
 (Continued)

Primary Examiner — George D. Kirschbaum
Assistant Examiner — Darcey E Heflin
 (74) *Attorney, Agent, or Firm* — Maschoff Brennan; Paul G. Johnson

Related U.S. Application Data

- (62) Division of application No. 29/580,624, filed on Oct. 11, 2016.
- (51) **LOC (11) Cl.** **09-07**
- (52) **U.S. Cl.**
 USPC **D9/447; D7/392.1**
- (58) **Field of Classification Search**
 USPC D7/387, 392, 392.1, 396.1, 396.2, 316,
 D7/397, 510, 511; D9/434, 435, 499,
 D9/454, 436, 440, 443, 447, 449,
 D9/437-439, 450; D23/390
 CPC A47G 19/16; A47G 19/22; A47G 19/2272;
 B65D 43/0204; B65D 43/06; B65D
 51/005; B65D 47/2037
 See application file for complete search history.

(57) **CLAIM**

The ornamental design for a mouthpiece, as shown and described.

DESCRIPTION

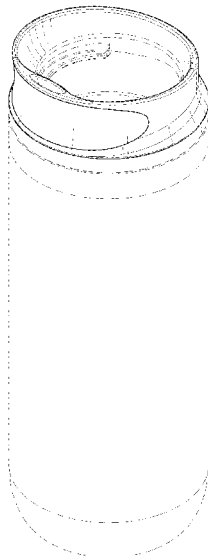
FIG. 1 is a top perspective view of a mouthpiece, illustrating the mouthpiece attached to an exemplifying bottle;
 FIG. 2 is a top front perspective view of the mouthpiece shown in FIG. 1;
 FIG. 3 is a top rear perspective view of the mouthpiece shown in FIG. 1;
 FIG. 4 is a front view of the mouthpiece shown in FIG. 1;
 FIG. 5 is a rear view of the mouthpiece shown in FIG. 1;
 FIG. 6 is a left side view of the mouthpiece shown in FIG. 1;
 FIG. 7 is a right side view of the mouthpiece shown in FIG. 1;
 FIG. 8 is a top view of the mouthpiece shown in FIG. 1; and,
 FIG. 9 is a bottom view of the mouthpiece shown in FIG. 1.
 The broken lines are shown for the purpose of illustrating environmental structure and parts of the article that form no part of the claimed design.

(56) **References Cited**

U.S. PATENT DOCUMENTS

2,573,378	A	10/1951	Zurlinden	
3,770,160	A	11/1973	Flider	
4,948,009	A	8/1990	Sawatani	
5,318,203	A	6/1994	Iaia et al.	
D437,223	S	2/2001	Coy et al.	
D441,288	S *	5/2001	Pillars D7/392.1

1 Claim, 9 Drawing Sheets



(56)

References Cited

U.S. PATENT DOCUMENTS

D547,607 S	7/2007	Forsman	
D562,065 S	2/2008	Smaldone	
D586,184 S	2/2009	Miller et al.	
D591,595 S	5/2009	Tedford, Jr.	
D624,356 S *	9/2010	Davies	D7/392.1
D626,837 S	11/2010	Meyers et al.	
D626,838 S	11/2010	Meyers et al.	
D649,878 S	12/2011	Weiss	
D649,879 S	12/2011	Gullickson et al.	
D652,256 S	1/2012	Eyal	
8,146,770 B2	4/2012	Newman	
D660,696 S	5/2012	Weiss	
D666,490 S	9/2012	Leon	
D677,121 S	3/2013	Meyers et al.	
D679,541 S	4/2013	Samartgis	
D682,034 S	5/2013	El-Saden et al.	
D696,551 S	12/2013	Meyers et al.	
D696,941 S	1/2014	Kim	
D696,942 S	1/2014	Kim	
D696,943 S	1/2014	Kim	
D702,086 S *	4/2014	Thurlow	D7/510
D704,053 S	5/2014	Kim	
D705,058 S	5/2014	Kim	
D707,124 S	6/2014	Blain et al.	
8,770,435 B2 *	7/2014	Weiss	B65D 43/06 220/780
D716,141 S	10/2014	Rush	
D716,657 S	11/2014	Caneer	
D719,780 S	12/2014	Sullivan	
D721,276 S	1/2015	Herbst	
D723,328 S	3/2015	Steel	
D723,332 S	3/2015	Steel	
D727,093 S	4/2015	Lapsker	
D729,569 S	5/2015	Herbst et al.	
D730,694 S	6/2015	Elsaden et al.	
D734,152 S	7/2015	Hager et al.	
D737,139 S	8/2015	Sokoly	
D739,183 S	9/2015	Lane	
D740,605 S	10/2015	Wodka et al.	
D741,637 S	10/2015	Palermo et al.	
D742,230 S	11/2015	Charles	
D745,827 S	12/2015	Sorensen et al.	
D747,136 S	1/2016	Lane et al.	
D754,535 S	4/2016	Kim	
D761,104 S *	7/2016	Buck	D9/447
9,392,893 B2	7/2016	Sorensen et al.	
D768,491 S	10/2016	Sorensen et al.	
D770,279 S *	11/2016	Strachan	D9/447
D781,703 S	3/2017	Strachan	
D793,154 S	8/2017	Sorensen et al.	
D795,006 S *	8/2017	Heiberger	D7/392.1
9,790,007 B2	10/2017	Sorensen et al.	
D806,469 S *	1/2018	Palmer	D7/392.1
9,944,435 B2 *	4/2018	Mithal	B65D 43/0212
D819,443 S *	6/2018	Martinez Carregui	D9/440
D822,484 S *	7/2018	D'Amato	D9/447
2002/0179604 A1	12/2002	Germain et al.	
2003/0052126 A1	3/2003	Lettle et al.	
2006/0226110 A1	10/2006	Choi et al.	
2008/0099514 A1	5/2008	Carter et al.	
2008/0257899 A1	10/2008	Whitaker et al.	
2010/0224631 A1	9/2010	Roth et al.	
2011/0017760 A1	1/2011	Newman	
2011/0139800 A1	6/2011	Urban	
2011/0253733 A1	10/2011	Meyers et al.	
2012/0055818 A1	3/2012	Zimmern	
2013/0062304 A1	3/2013	Meyers et al.	
2014/0299614 A1	10/2014	Mithal	
2014/0263324 A1	11/2014	Latham et al.	
2014/0360908 A1	12/2014	Sorensen et al.	
2015/0014322 A1	1/2015	Kim	
2015/0201773 A1	7/2015	Sorensen et al.	
2015/0201774 A1	7/2015	Sorensen et al.	
2015/0201775 A1	7/2015	Sorensen et al.	
2016/0007780 A1	1/2016	Dolan et al.	
2018/0050850 A1	2/2018	Murosky	

OTHER PUBLICATIONS

Design U.S. Appl. No. 29/664,154, filed Sep. 21, 2018, titled "Mouthpiece", 11 pages.

Design U.S. Appl. No. 29/602,291, filed Apr. 28, 2017, titled "Lid and Spout", 34 pages.

JP Notification of Reasons for Refusal dated Oct. 6, 2017 as received in Design Application No. 2017-007716.

Beachbody on Demand. 11 Water Bottles We're Lusting After. Apr. 15, 2016 [earliest online date], [site visited Oct. 11, 2017]. Available from Internet, <URL:https://www.beachbodyondemand.com/blog/11-water-bottles-were-lusting-after>. (Year: 2016).

Amazon. Duo Classic protein Shaker Bottle. Jul. 30, 2014 [earliest online date], [site visited Oct. 11, 2017]. Available from Internet, <URL:https://www.amazon.com/Duo-Classic-Protein-Shaker-Bottle/dp/B00J9XRIEU?th=1>. (Year: 2014).

Design U.S. Appl. No. 29/580,621, filed Oct. 11, 2016, titled "Mouthpiece", 18 pages.

* cited by examiner

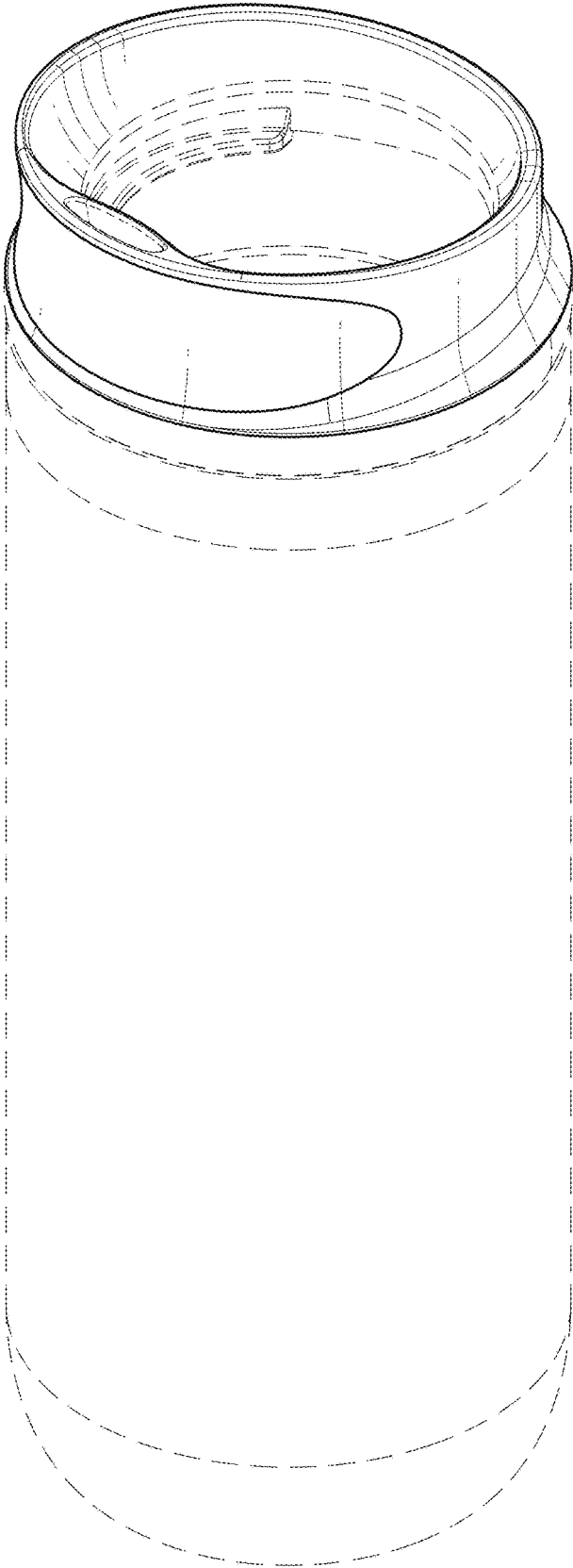


FIG. 1

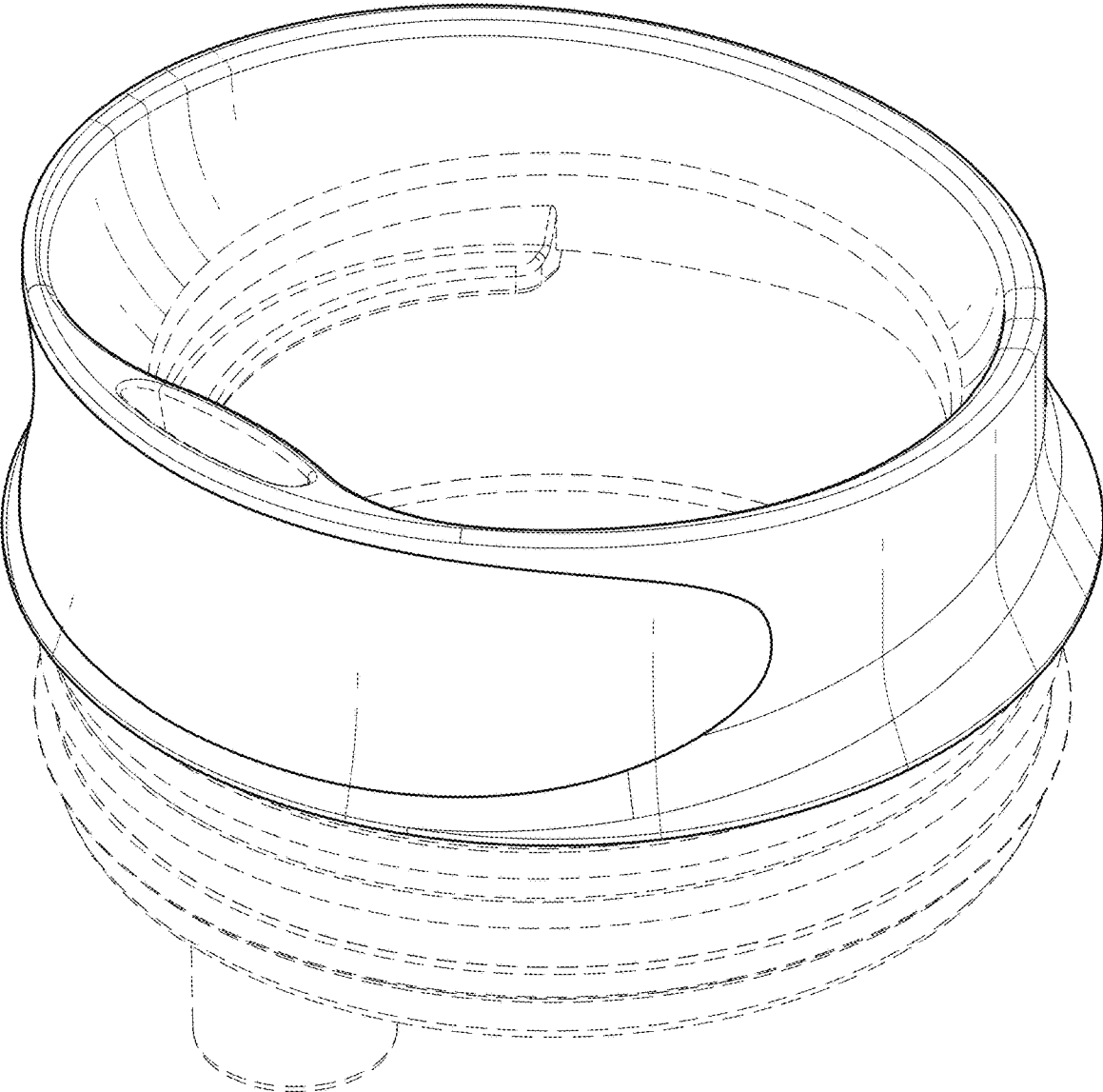


FIG. 2

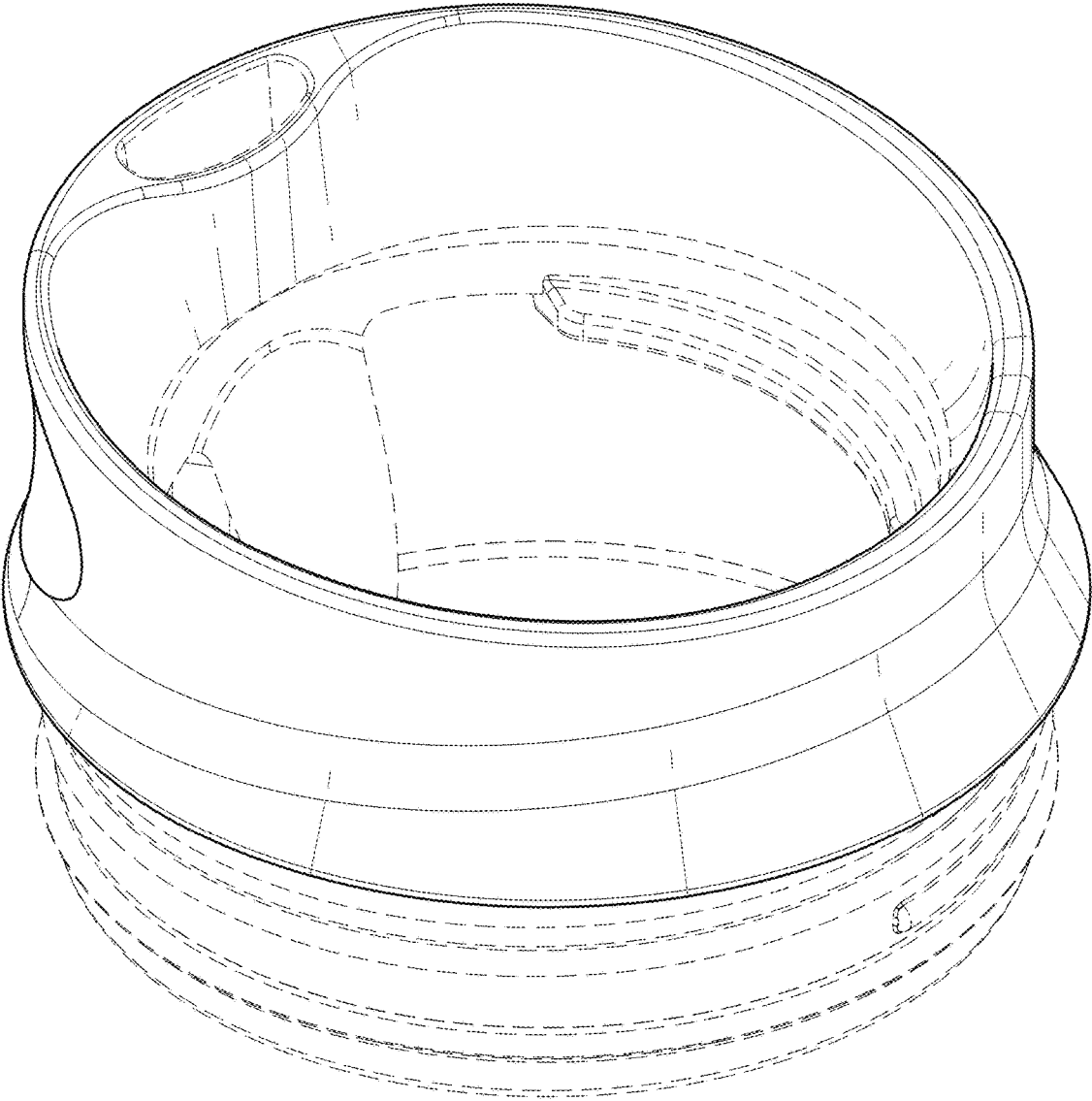


FIG. 3

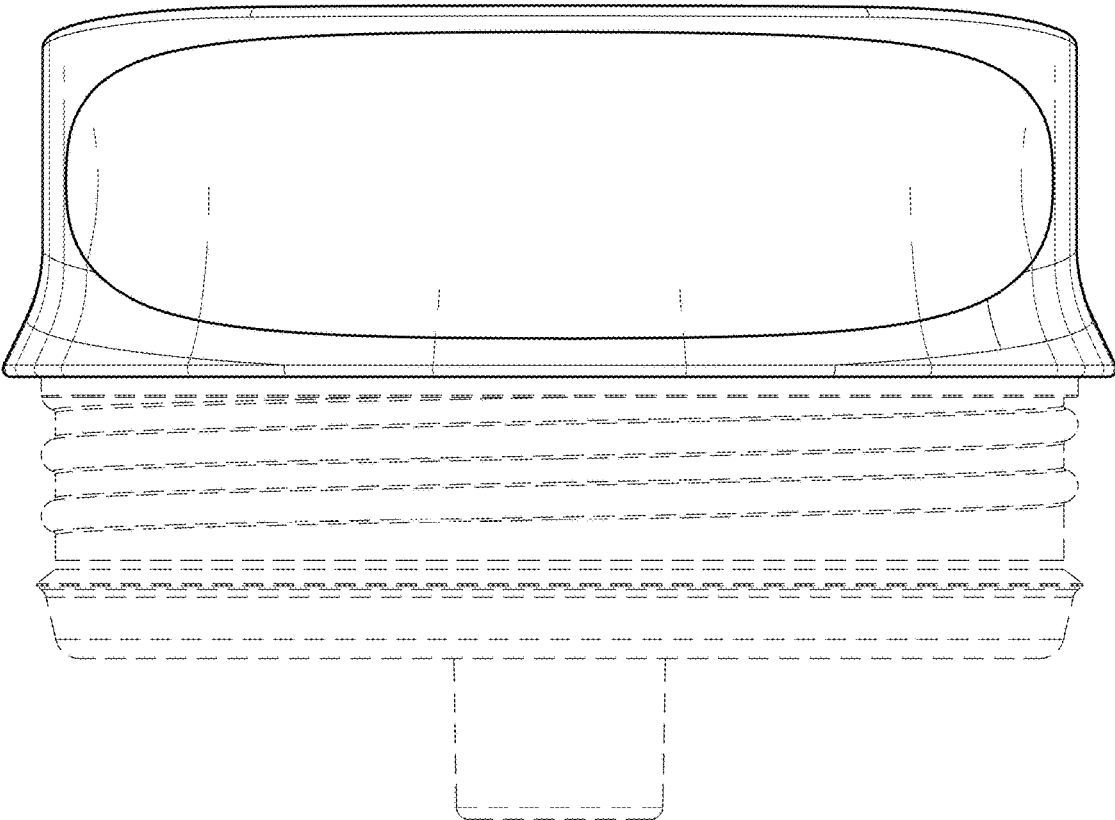


FIG. 4

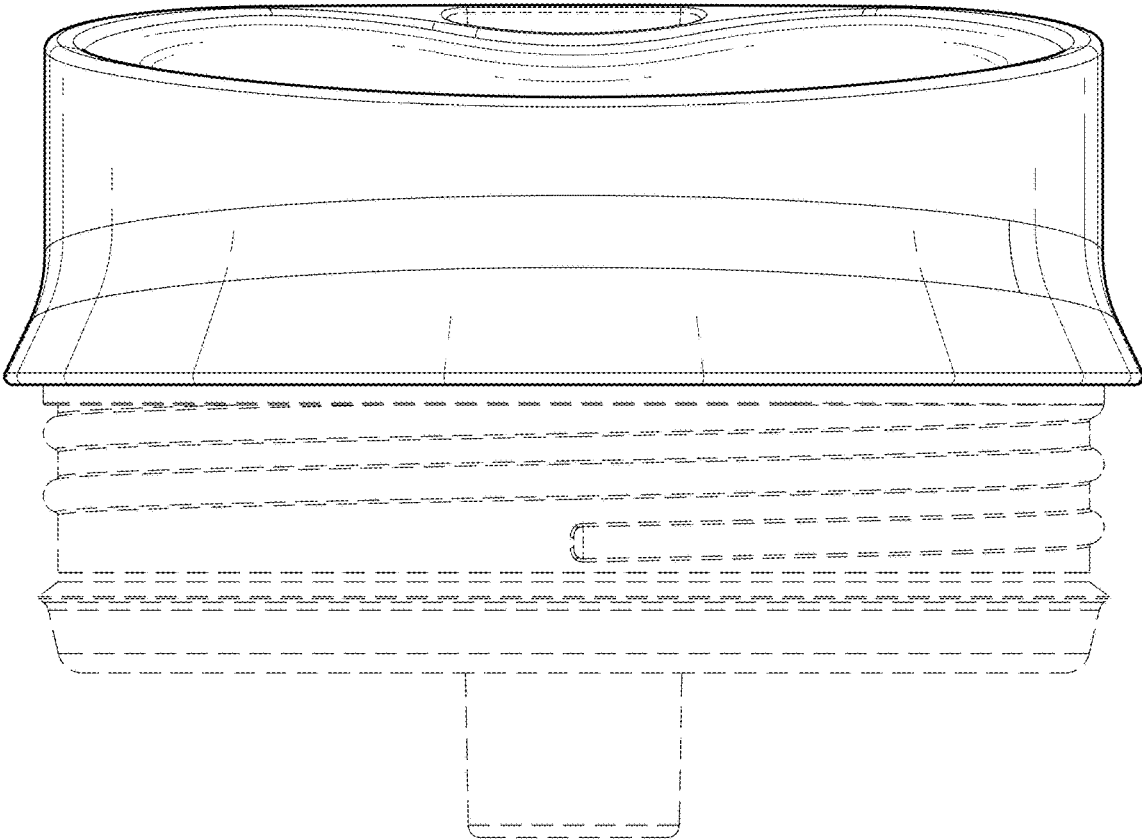


FIG. 5

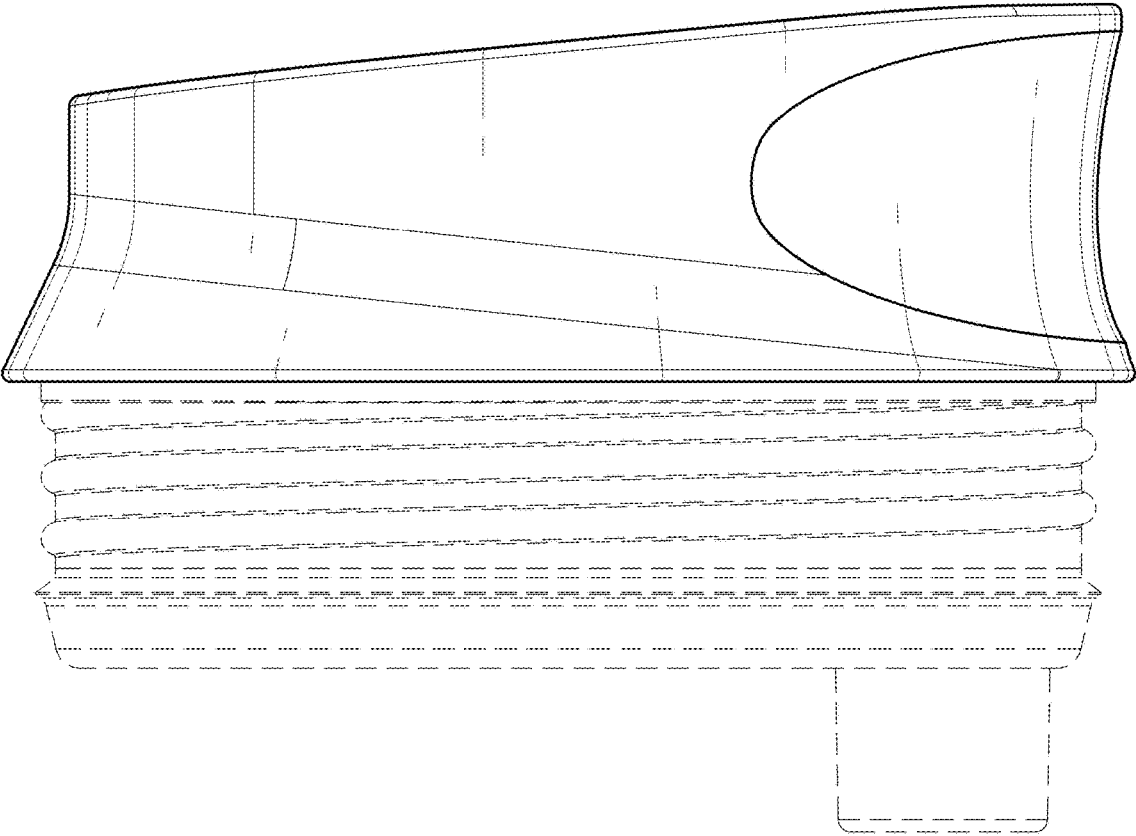


FIG. 6

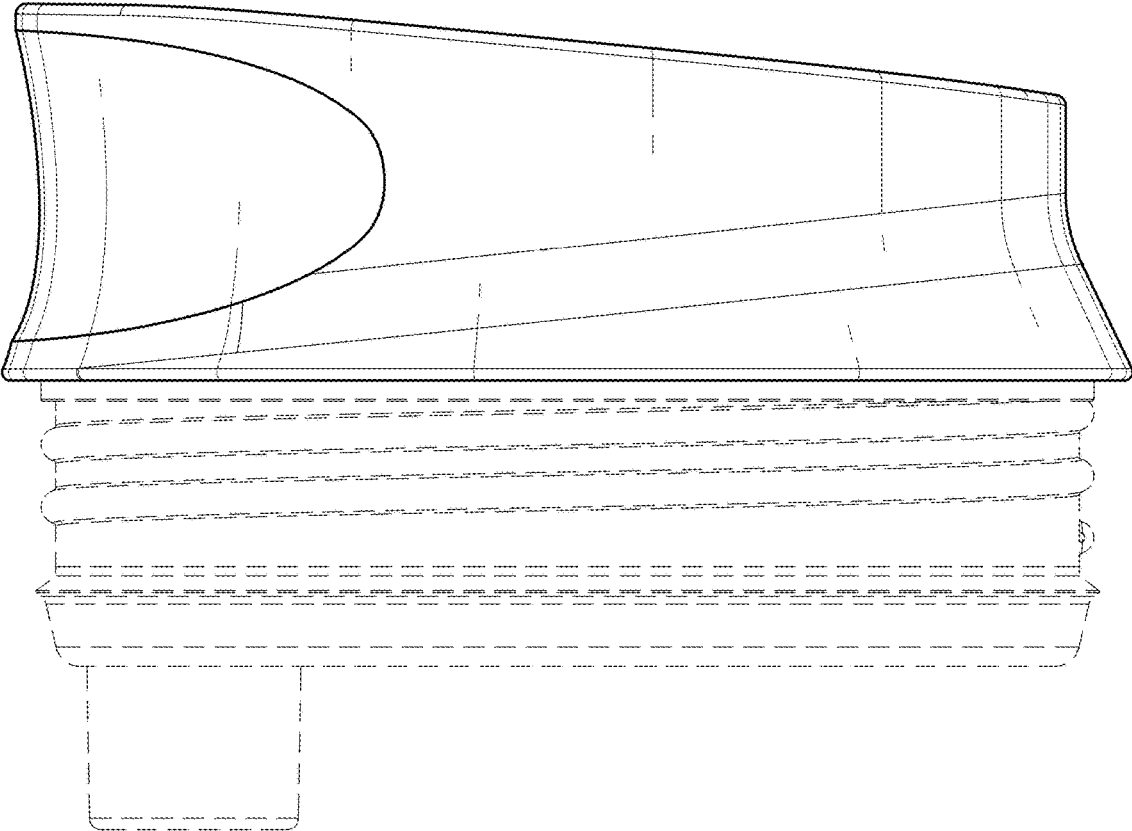


FIG. 7

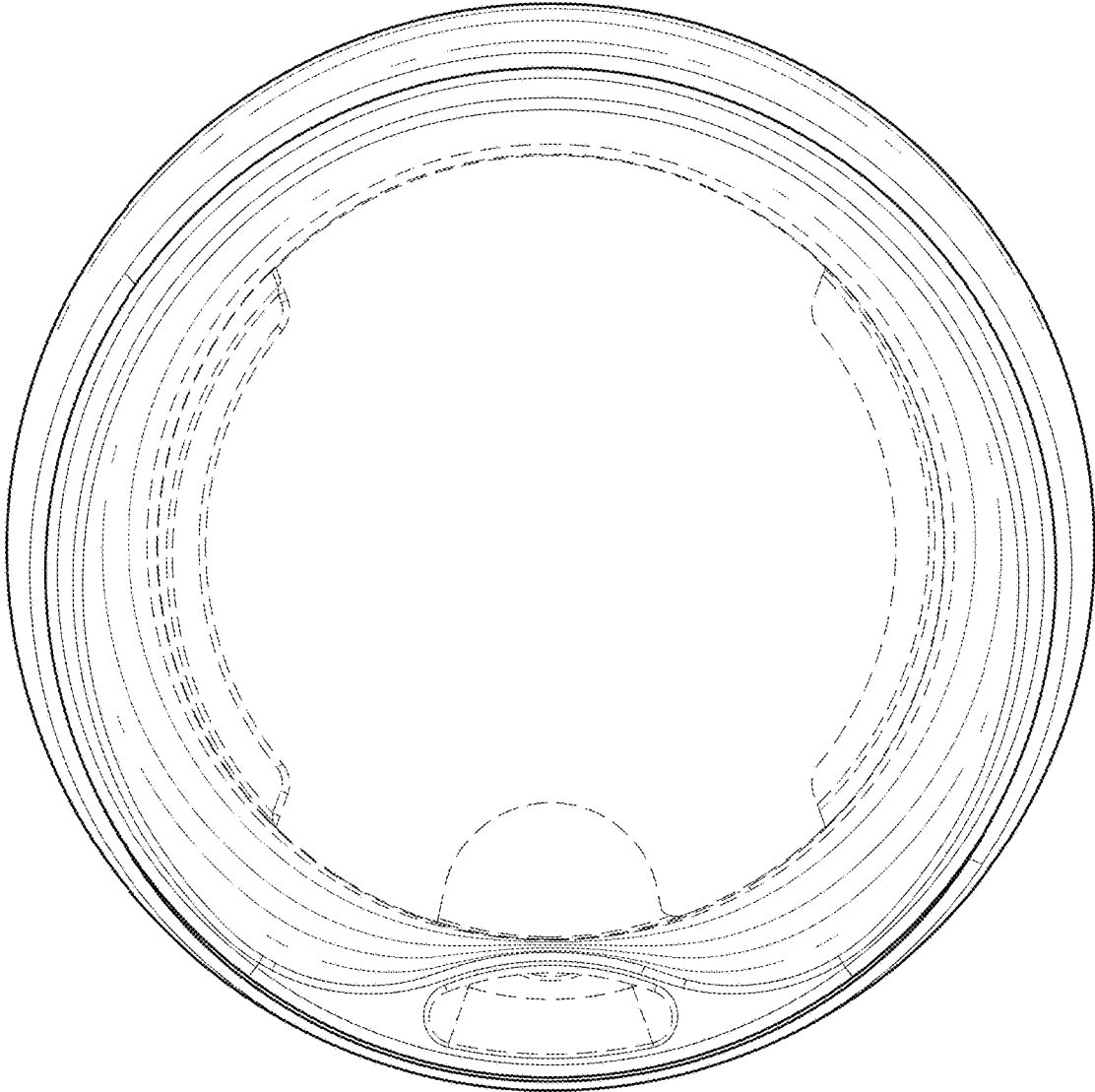


FIG. 8

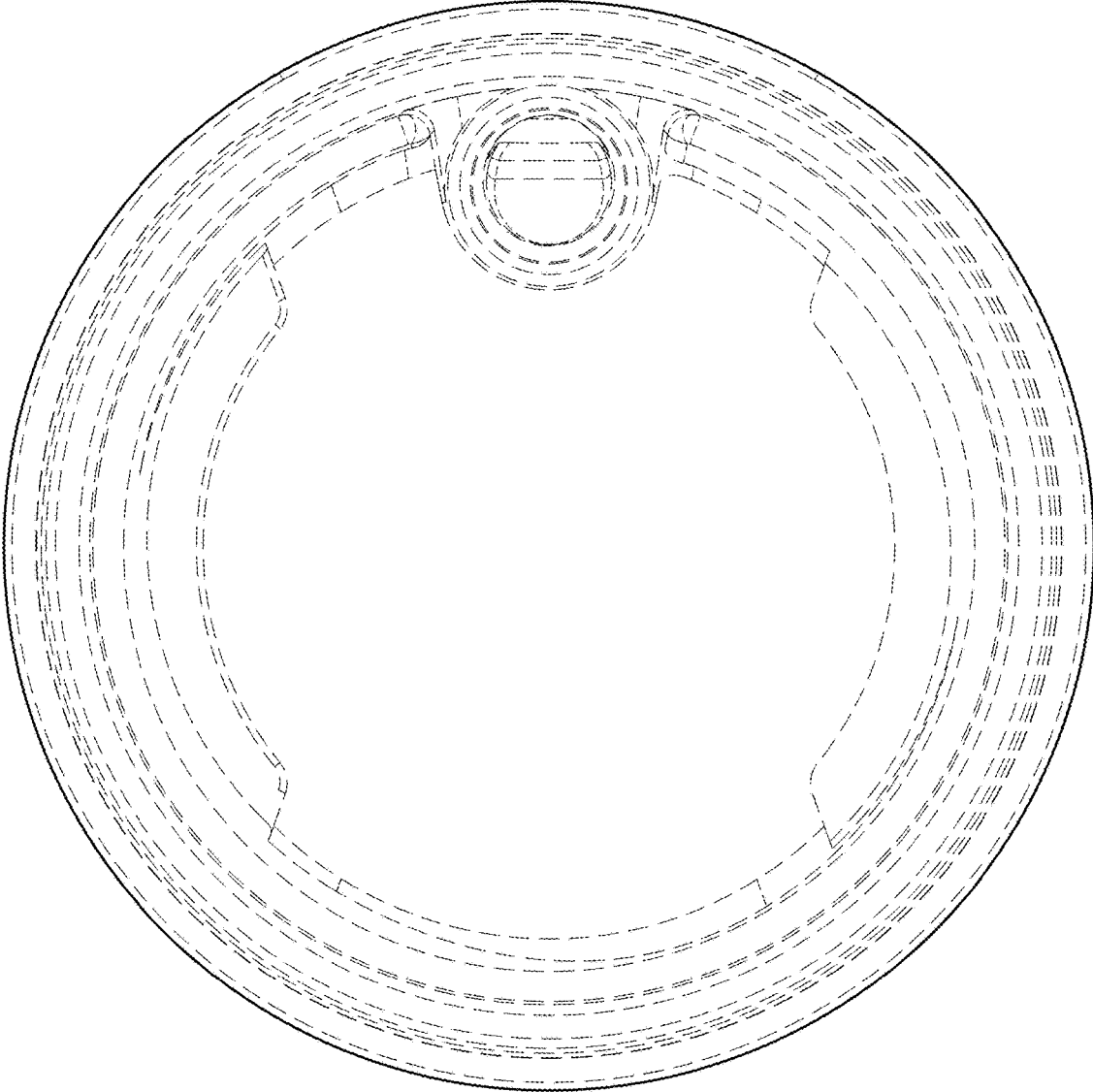


FIG. 9