



US00D462966S

(12) **United States Design Patent** (10) **Patent No.:** **US D462,966 S**
Pentz et al. (45) **Date of Patent:** **** Sep. 17, 2002**

(54) **DATA CARD**

(75) Inventors: **Jamily Pentz**, Tega Cay, SC (US);
Scott Thayer, Cornelius, NC (US)

(73) Assignee: **Bank of America Corporation**,
Charlotte, NC (US)

(**) Term: **14 Years**

(21) Appl. No.: **29/142,203**

(22) Filed: **May 22, 2001**

(51) **LOC (7) Cl.** **14-02**

(52) **U.S. Cl.** **D14/436; D19/10**

(58) **Field of Search** **D14/432, 435,**
D14/436; 283/106, 107, 108, 75, 900, 904;
D19/9, 10

(56) **References Cited**

U.S. PATENT DOCUMENTS

3,230,650	A	1/1966	Orkin	
4,079,883	A	3/1978	Calder	
4,338,805	A	7/1982	Nygren	
4,443,027	A	4/1984	McNeely et al.	
4,682,794	A	* 7/1987	Margolin	283/82
4,711,996	A	* 12/1987	Drexler	235/468
4,914,281	A	4/1990	Benton et al.	
5,061,845	A	10/1991	Pinnavaia	
5,090,736	A	* 2/1992	Minkus	283/77
5,096,228	A	3/1992	Rinderknecht	
5,250,341	A	10/1993	Kobayashi et al.	
5,255,941	A	* 10/1993	Solomon	283/82
5,700,037	A	12/1997	Keller	
5,844,230	A	12/1998	Lalonde	
D406,861	S	* 3/1999	Leedy, Jr.	D19/10
D420,658	S	* 2/2000	Eyler	D14/436
6,196,594	B1	* 3/2001	Keller	283/82

FOREIGN PATENT DOCUMENTS

WO WO 93/11510 A1 6/1993

OTHER PUBLICATIONS

Identification cards—Physical characteristics, ISO/IEC, 7810: 1995(E).

Identification cards—Recording technique—Part 2: Magnetic stripe—Low coercivity, ISO/IEC, 7811-2: 2001(E).

Identification cards—Recording technique—Part 3: Location of embossed characters on ID-1 cards, ISO/IEC, 7811-3: 1995(E).

Identification cards—Recording technique—Part 4: Location of read-only magnetic tracks—Tracks 1 and 2, ISO/IEC, 7811-4: 1995(E).

Identification cards—Recording technique—Part 5: Location of read-write magnetic track—Track 3, ISO/IEC, 7811-5: 1995(E).

Identification cards—Recording technique—Part 6: Magnetic stripe—High coercivity, ISO/IEC, 7811-6: 2001(E). Photocopy of a Metro farecard.

Photocopy of grocery discount card (2 pages).

* cited by examiner

Primary Examiner—Kay H. Chin

(74) *Attorney, Agent, or Firm*—Michael A. Springs; Covington & Burling

(57) **CLAIM**

The ornamental design for a data card, as shown and described.

DESCRIPTION

FIG. 1 is a perspective view of a data card showing my new design;

FIG. 2 is a top plan view thereof;

FIG. 3 is a front elevational view thereof;

FIG. 4 is a bottom plan view thereof;

FIG. 5 is a left elevational view thereof;

FIG. 6 is a right elevational view thereof;

FIG. 7 is a rear elevational view thereof;

FIG. 8 is a perspective view of a second embodiment of a data card showing my new design;

FIG. 9 is a top plan view thereof;

FIG. 10 is a front elevational view thereof;

FIG. 11 is a bottom plan view thereof;

FIG. 12 is a left elevational view thereof;

FIG. 13 is a right elevational view thereof; and,

FIG. 14 is a rear elevational view thereof.

1 Claim, 2 Drawing Sheets

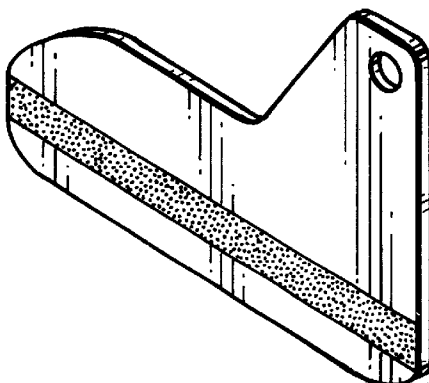


FIG. 1

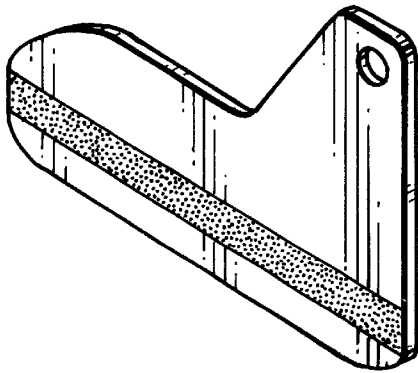


FIG. 2



FIG. 3

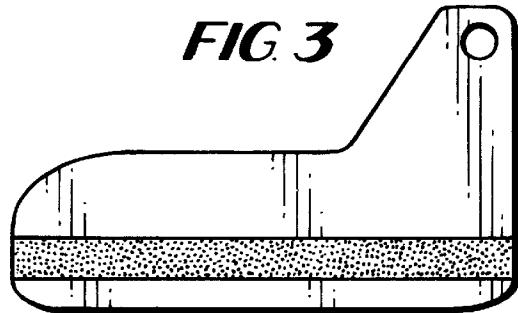


FIG. 4



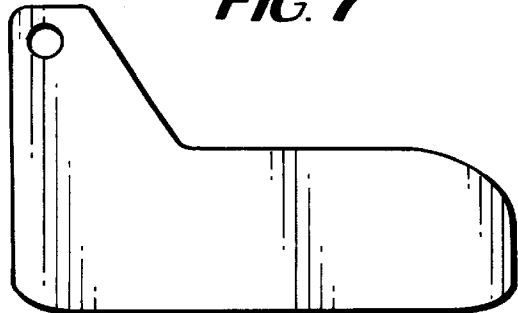
FIG. 5



FIG. 6



FIG. 7



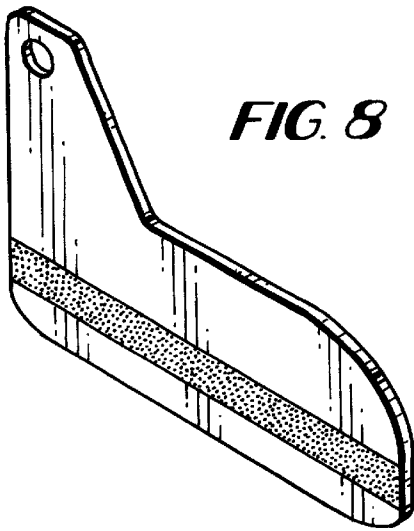


FIG. 8

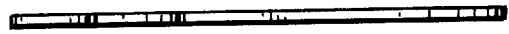


FIG. 9

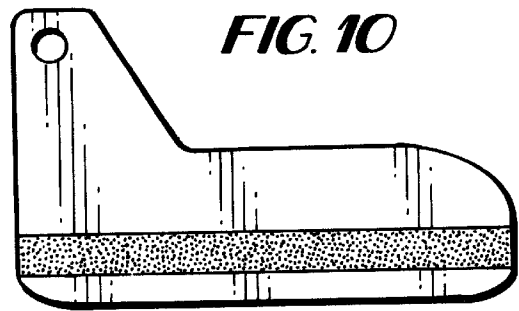


FIG. 10



FIG. 11

FIG. 12

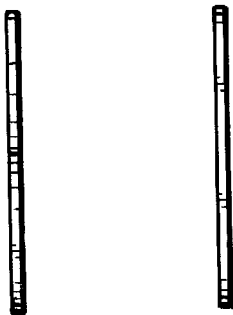


FIG. 13

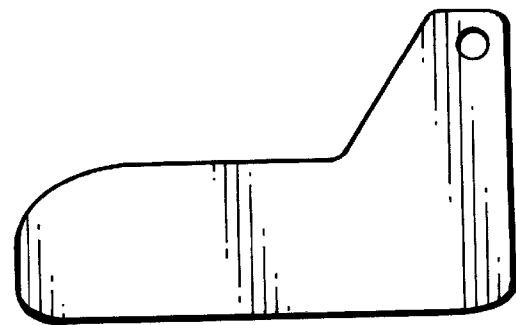


FIG. 14