

United States Patent [19]

Kim

[11] Patent Number: Des. 293,071

[45] Date of Patent: ** Dec. 8, 1987

[54] **FOOD PROCESSOR**

[75] Inventor: **Young S. Kim**, Terrace Sunnyville, Calif.

[73] Assignee: **Daewoo Electronics Co., Ltd.**, Seoul, Rep. of Korea

[**] Term: **14 Years**

[21] Appl. No.: **656,540**

[22] Filed: **Oct. 1, 1984**

[52] U.S. Cl. **D7/384**

[58] Field of Search **D7/376-386, D7/412; 241/92, 93, 37.5, 282.1, 282.2**

[56] **References Cited**

U.S. PATENT DOCUMENTS

- | | | | |
|------------|---------|-------------------|----------|
| D. 251,407 | 3/1979 | Tsuji et al. | D7/384 |
| 4,226,373 | 10/1980 | Williams | 241/37.5 |
| 4,240,338 | 12/1980 | McClean | 241/92 X |

- | | | | |
|-----------|--------|----------------|----------|
| 4,506,836 | 3/1985 | Williams | 241/92 X |
| 4,542,857 | 4/1985 | Akasaka | 241/92 X |

Primary Examiner—Bernard Ansher
Assistant Examiner—Linda Titolo
Attorney, Agent, or Firm—Lackenbach Siegel Marzullo & Aronson

[57] **CLAIM**

The ornamental design for a food processor, as shown and described.

DESCRIPTION

FIG. 1 is a top perspective view of the food processor, showing my new design;
FIG. 2 is a top plan view thereof;
FIG. 3 is a front elevational view thereof;
FIG. 4 is a rear elevational view thereof;
FIG. 5 is a right side elevational view thereof;
FIG. 6 is a left side elevational view thereof; and
FIG. 7 is a bottom plan view thereof.

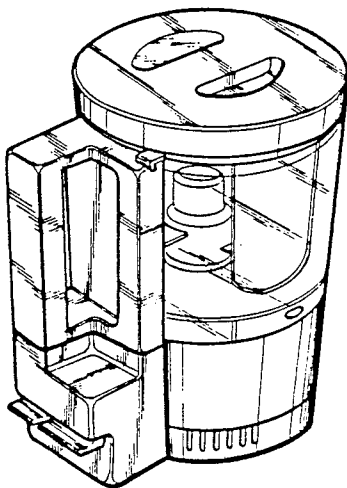


FIG. 1

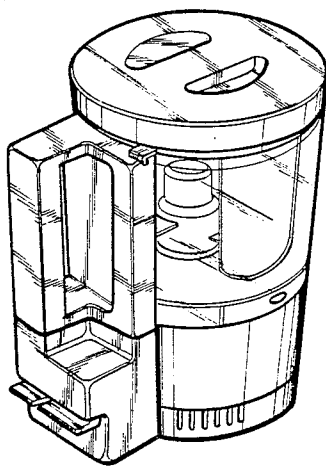


FIG. 2

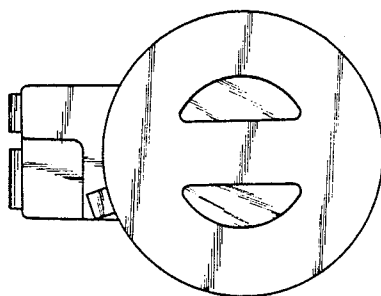


FIG. 3

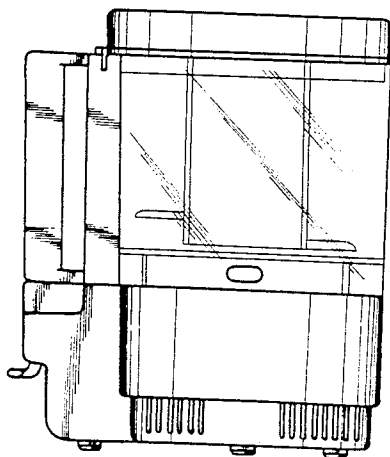


FIG. 4

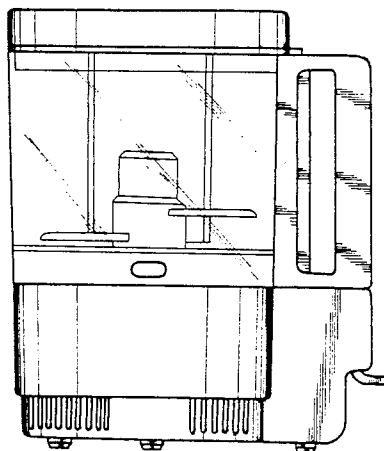


FIG. 5

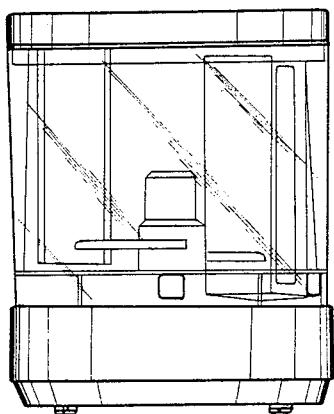


FIG. 6

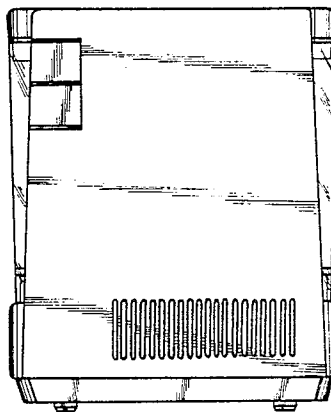


FIG. 7

