



US00D734362S

(12) **United States Design Patent**
Akana et al.

(10) **Patent No.:** **US D734,362 S**

(45) **Date of Patent:** **** Jul. 14, 2015**

- (54) **ELECTRONIC DEVICE WITH GRAPHICAL USER INTERFACE**
- (71) Applicant: **Apple Inc.**, Cupertino, CA (US)
- (72) Inventors: **Jody Akana**, San Francisco, CA (US); **Bartley K. Andre**, Palo Alto, CA (US); **Jeremy Bataillou**, San Francisco, CA (US); **Daniel J. Coster**, San Francisco, CA (US); **Anton Davydov**, Gilroy, CA (US); **Daniele De Iulius**, San Francisco, CA (US); **Jorge Fino**, San Jose, CA (US); **M. Evans Hankey**, San Francisco, CA (US); **Richard P. Howarth**, San Francisco, CA (US); **Jonathan P. Ive**, San Francisco, CA (US); **Duncan Robert Kerr**, San Francisco, CA (US); **Shin Nishibori**, Kailua, HI (US); **Matthew Dean Rohrbach**, San Francisco, CA (US); **Peter Russell-Clarke**, San Francisco, CA (US); **Christopher J. Stringer**, Woodside, CA (US); **Eugene Antony Whang**, San Francisco, CA (US); **Policarpo Wood**, San Jose, CA (US); **Rico Zörkendörfer**, San Francisco, CA (US)
- (73) Assignee: **Apple Inc.**, Cupertino, CA (US)
- (**) Term: **14 Years**
- (21) Appl. No.: **29/495,928**
- (22) Filed: **Jul. 7, 2014**

Related U.S. Application Data

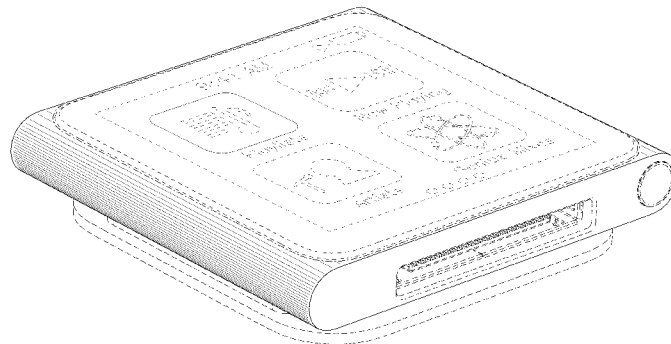
- (63) Continuation of application No. 29/441,663, filed on Jan. 8, 2013, now Pat. No. Des. 708,643, which is a continuation of application No. 29/423,019, filed on May 25, 2012, now Pat. No. Des. 673,975, which is a continuation of application No. 29/401,912, filed on Sep. 16, 2011, now Pat. No. Des. 663,320, which is a continuation of application No. 29/368,991, filed on Aug. 31, 2010, now Pat. No. Des. 647,919, which is a continuation of application No. 29/367,996, filed on Aug. 16, 2010, now Pat. No. Des. 638,030.

- (51) **LOC (10) Cl.** 14-03
- (52) **U.S. Cl.**
USPC **D14/496**
- (58) **Field of Classification Search**
USPC D14/496, 401, 435, 474, 483, 217, 137, D14/138, 160, 168, 356, 203.1–203.8, 507; 345/156, 169, 173–179, 905; 715/727–729, 864; 710/1, 5, 8; 713/1, 713/600; 455/1.1, 1.7, 73, 344–347, 93, 95, 455/3.01–3.06, 550.1, 573.1; 370/342–344; 369/1, 2, 6–12; 463/43–47; 273/148 B; D10/30, 31, 38, 128
CPC H04J 11/00; H04J 13/00; H04J 14/00
See application file for complete search history.

(56) **References Cited**

U.S. PATENT DOCUMENTS

D141,980 S	8/1945	Holland et al.
3,779,851 A	12/1973	Hertz
4,706,922 A	11/1987	Grow
4,855,194 A	8/1989	Wright
5,128,829 A	7/1992	Loew
5,242,732 A	9/1993	Bahakel
5,271,196 A	12/1993	Fanti
D345,304 S	3/1994	Leader
D375,298 S	11/1996	Calfee
5,808,862 A	9/1998	Robbins
D408,794 S	4/1999	Ogasawara
D420,354 S	2/2000	Morales
6,122,526 A	9/2000	Parulski et al.
D441,735 S	5/2001	Katayama
6,293,038 B1	9/2001	Chang
6,354,477 B1	3/2002	Trummer
D459,339 S	6/2002	Tong
6,567,011 B1	5/2003	Young et al.
6,595,860 B1	7/2003	Yamamoto et al.
D478,076 S	8/2003	Hong
D488,472 S	4/2004	Haase et al.
D490,796 S	6/2004	Allen
D506,474 S	6/2005	Gildred
D517,065 S	3/2006	Ko et al.
D521,460 S	5/2006	Shimizu
D546,202 S	7/2007	Chang
D555,171 S	11/2007	Dai
D556,193 S	11/2007	Laituri et al.
D558,790 S	1/2008	Yu et al.
D559,860 S	1/2008	Andre et al.
D559,861 S	1/2008	Andre et al.



D560,228	S	1/2008	Andre et al.	
D563,434	S	3/2008	Dai	
D569,389	S	5/2008	Andre et al.	
D588,610	S	3/2009	Andre et al.	
D589,530	S	3/2009	Andre et al.	
D590,826	S	4/2009	Andre et al.	
7,520,228	B2	4/2009	Mangano et al.	
D601,172	S	9/2009	Andre et al.	
D603,867	S	11/2009	La et al.	
D604,305	S	11/2009	Anzures et al.	
D616,899	S	6/2010	Andre et al.	
D627,367	S	11/2010	Andre et al.	
D627,790	S	11/2010	Chaudhri	
D638,030	S	5/2011	Akana et al.	
D638,854	S	5/2011	Andre et al.	
D658,679	S	5/2012	Davydov et al.	
D664,995	S	8/2012	Akana et al.	
D713,421	S	* 9/2014	Kaneta	D14/496
D717,763	S	* 11/2014	Han	D14/203.7
D724,103	S	* 3/2015	Akana et al.	D14/496
D728,624	S	* 5/2015	Akana et al.	D14/496
2009/0064038	A1	3/2009	Fleischman et al.	

FOREIGN PATENT DOCUMENTS

DE 40504736-0006 2/2006

OTHER PUBLICATIONS

Wilson, M., "Is This the Next iPod Shuffle?", Gizmodo, accessed at <<http://gizmodo.com/5583144/is-this-the-next-ipod-shuffle>>, retrieved Dec. 17, 2010, 2 pages.

* cited by examiner

Primary Examiner — Prabhakar Deshmukh
(74) *Attorney, Agent, or Firm* — Sterne, Kessler, Goldstein & Fox P.L.L.C.

(57) **CLAIM**

The ornamental design for an electronic device with graphical user interface, as shown and described.

DESCRIPTION

FIG. 1 is a front bottom perspective view of an electronic device with graphical user interface showing our new design; FIG. 2 is a rear bottom perspective view thereof; FIG. 3 is a rear top perspective view thereof; FIG. 4 is a front top perspective view thereof; FIG. 5 is a front view thereof; FIG. 6 is a rear view thereof; FIG. 7 is a bottom view thereof; FIG. 8 is a top view thereof; FIG. 9 is a side view thereof; and, FIG. 10 is another side view thereof.

The broken lines show portions of the electronic device and portions of the graphical user interface that form no part of the claimed design. The dot-dash lines show an unclaimed boundary that forms no part of the claimed design. The shade lines in the figures show contour and not surface ornamentation.

1 Claim, 8 Drawing Sheets

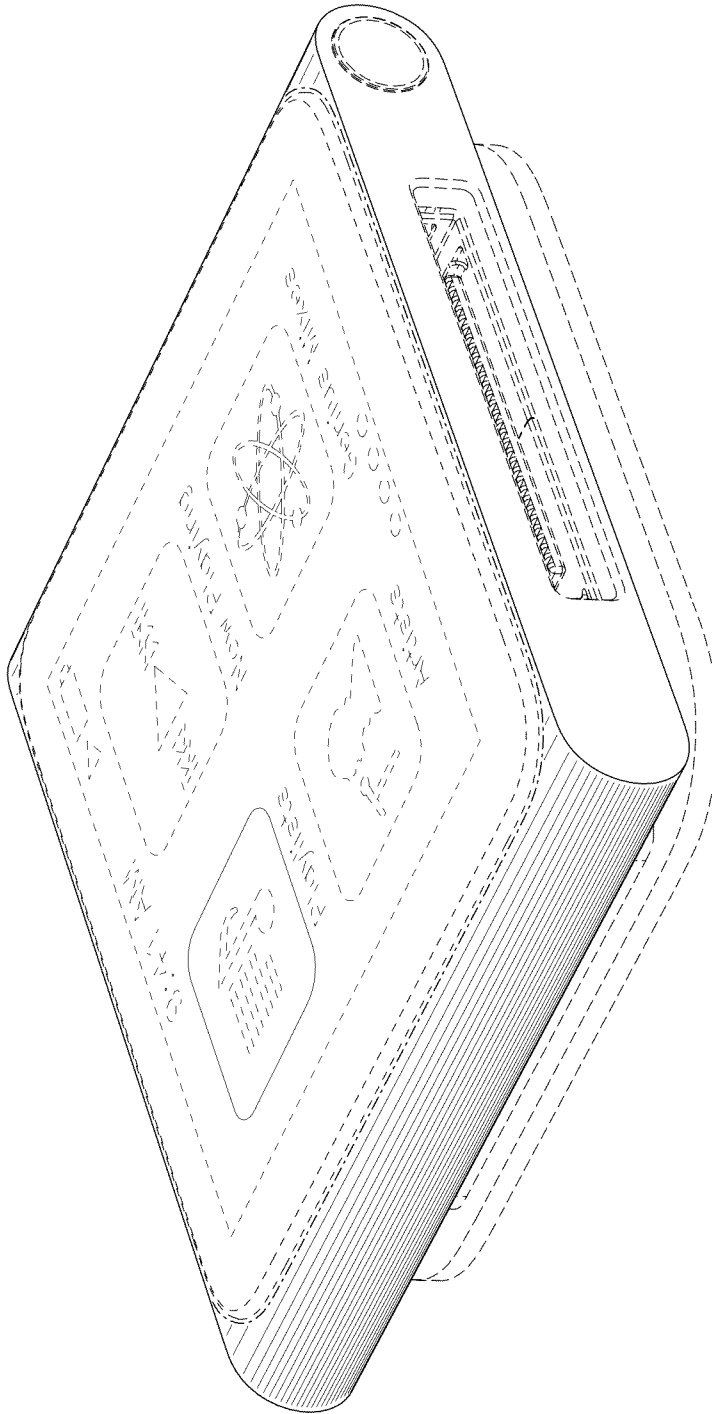


FIG. 1

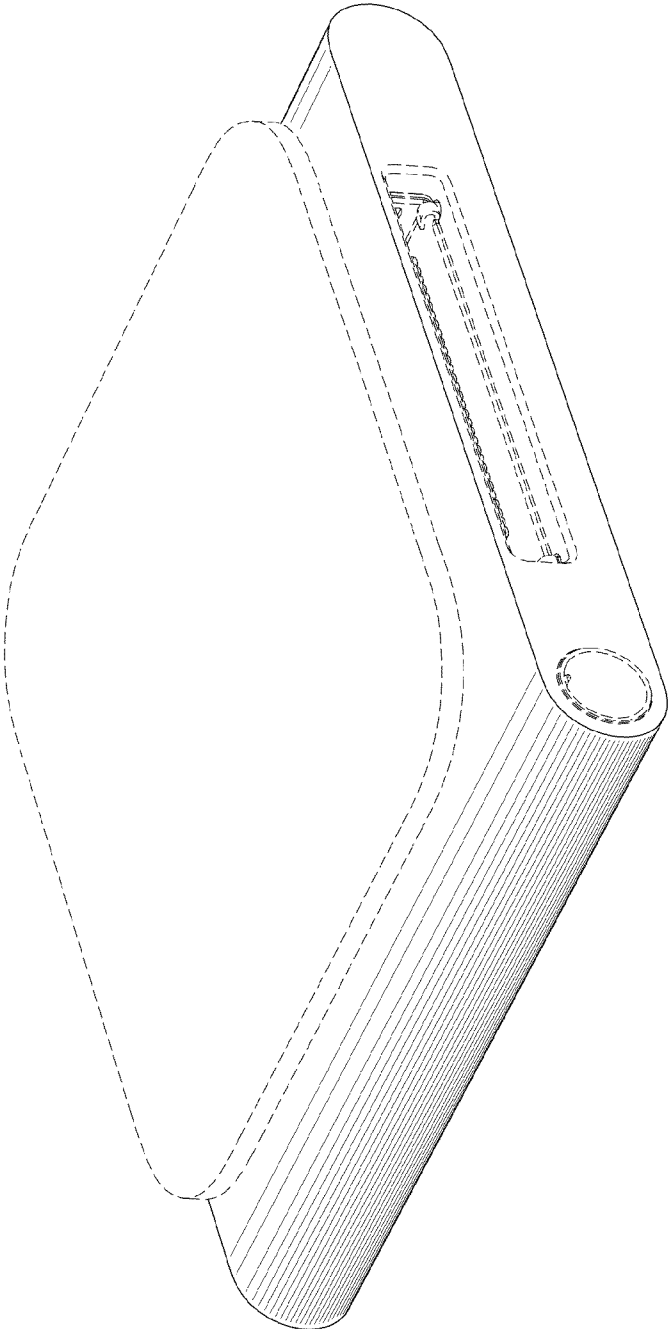


FIG. 2

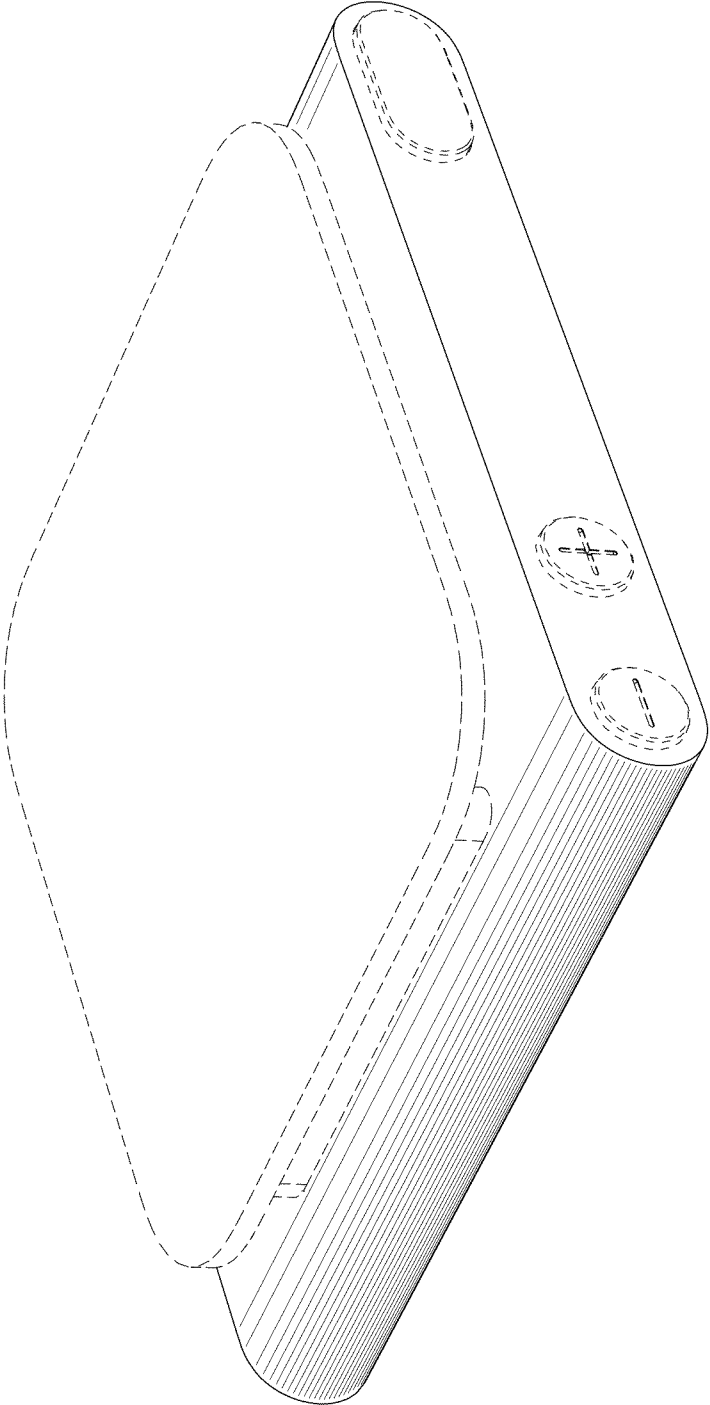


FIG. 3

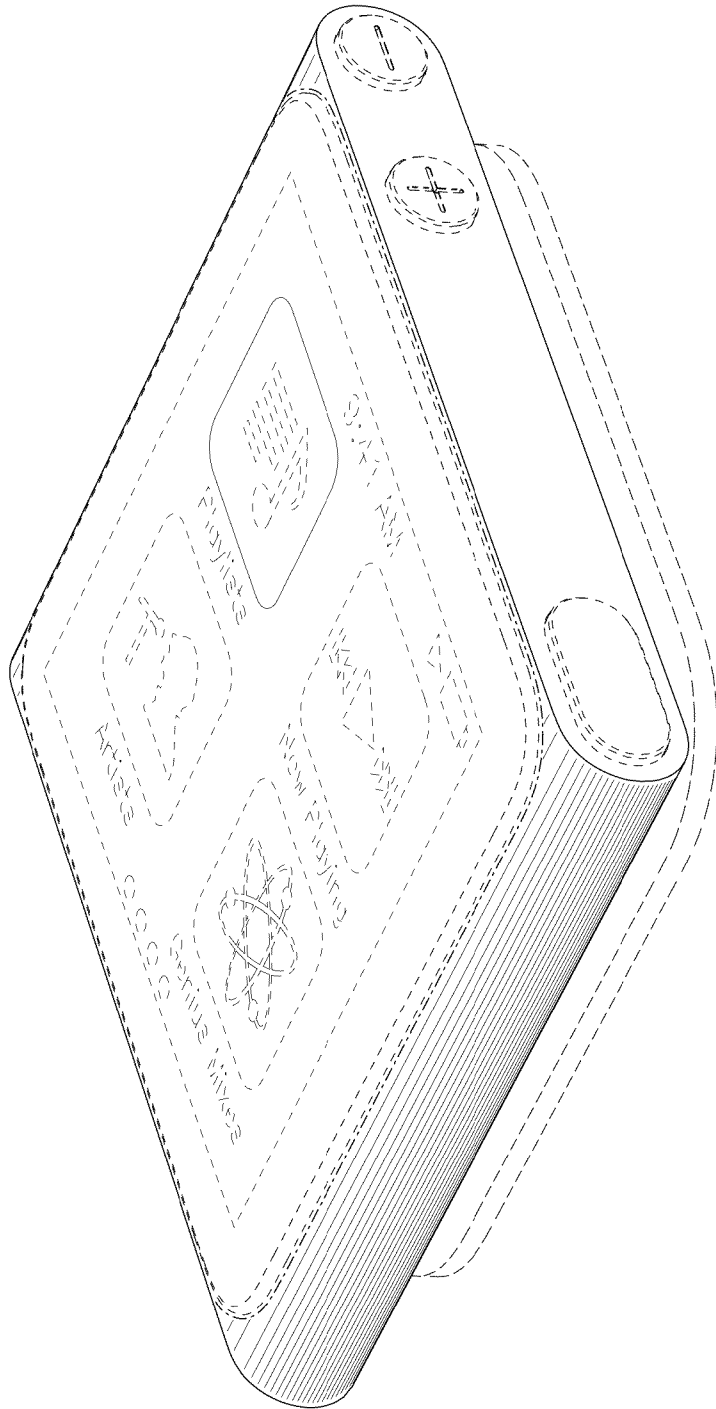


FIG. 4

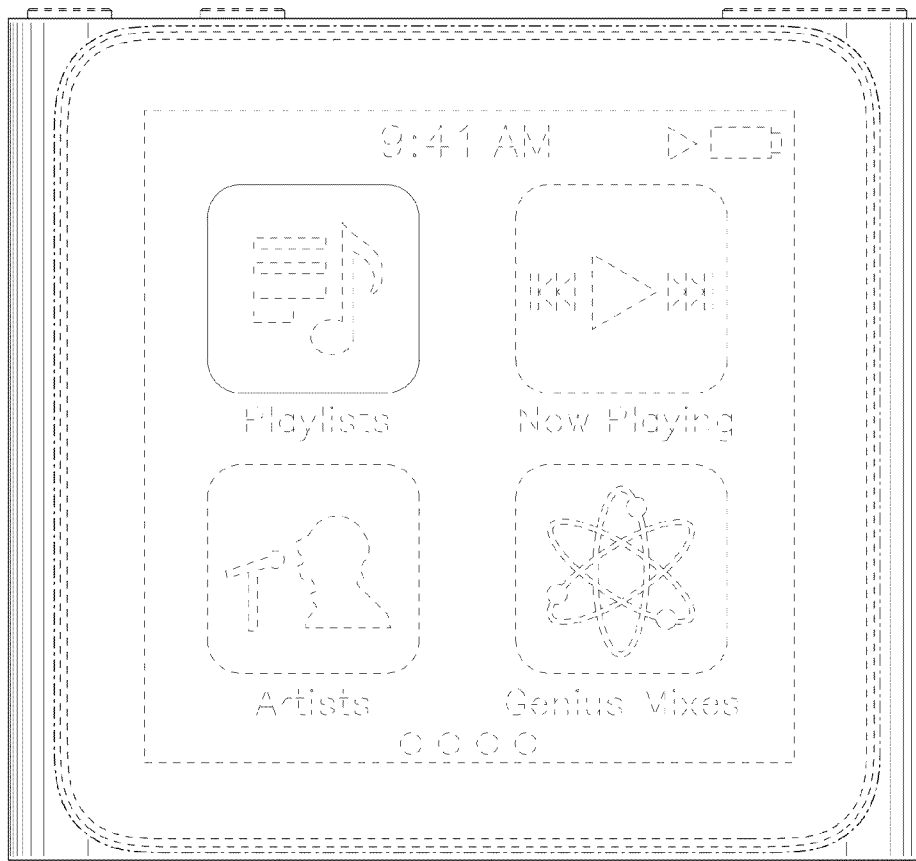


FIG. 5

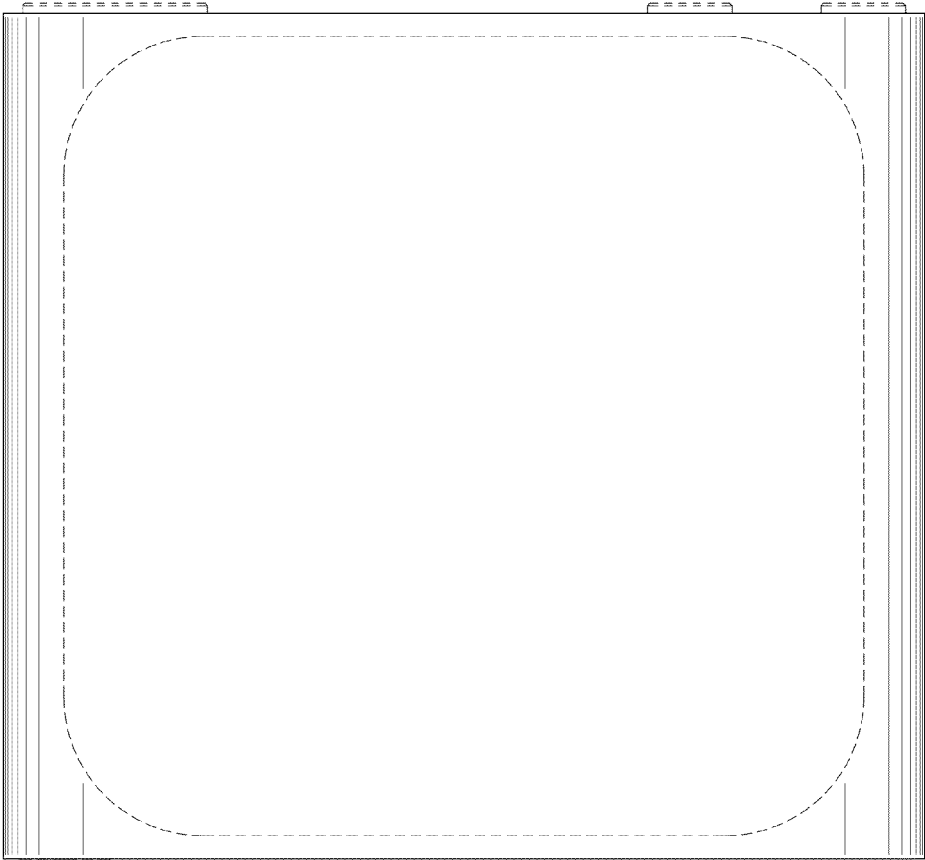


FIG. 6

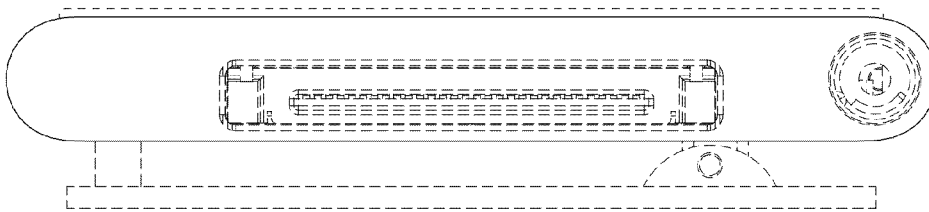


FIG. 7

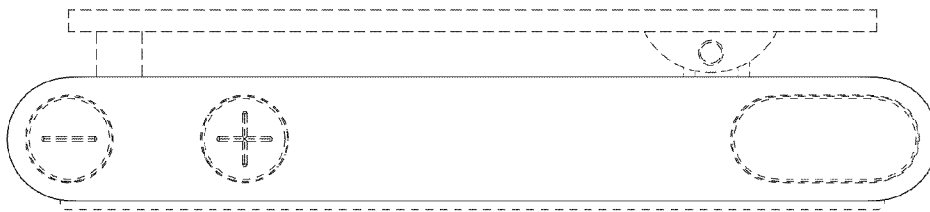


FIG. 8

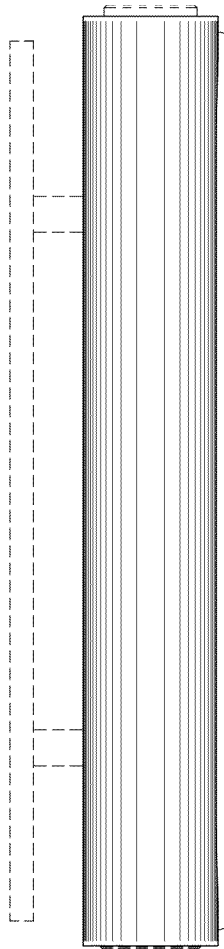


FIG. 9

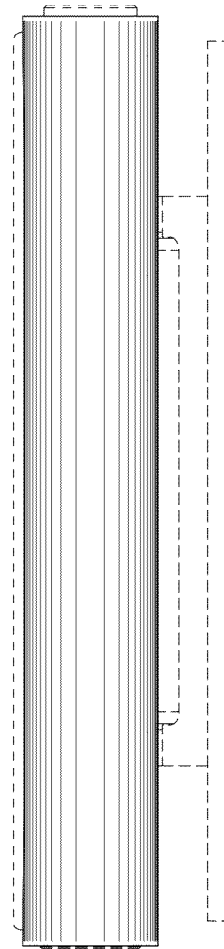


FIG. 10