



US00D824467S

(12) **United States Design Patent**
Rademacher et al.

(10) **Patent No.:** **US D824,467 S**

(45) **Date of Patent:** **** Jul. 31, 2018**

- (54) **RECREATIONAL DEVICE**
- (71) Applicant: **Wibit Sports GmbH**, Bocholt (DE)
- (72) Inventors: **Romann Rademacher**, Bocholt (DE);
Robert Cirjak, Bocholt (DE)
- (73) Assignee: **WIBIT SPORTS GMBH**, Bocholt (DE)
- (**) Term: **15 Years**
- (21) Appl. No.: **29/589,950**
- (22) Filed: **Jan. 5, 2017**

D451,567 S *	12/2001	Gordon	D21/801
D451,568 S *	12/2001	Gordon	D21/801
D514,652 S *	2/2006	Auberger	D21/818
D539,066 S *	3/2007	Coquillet	D6/601
D639,887 S *	6/2011	Cirjak	D21/818
D652,884 S *	1/2012	VanElverdinghe	D21/801
D661,765 S *	6/2012	Galinski	A63G 31/12
				D21/826
D702,790 S *	4/2014	Cirjak	D21/818
D708,752 S *	7/2014	Oberst	D24/190
D731,817 S *	6/2015	Rogers	D6/601
9,084,704 B2 *	7/2015	Oberst	A61G 7/075
D747,425 S *	1/2016	Hsu	D21/803
D753,312 S *	4/2016	Long	D24/186

- (30) **Foreign Application Priority Data**
- Jul. 6, 2016 (EM) 003295674.0009
- Jul. 26, 2016 (EM) 003295674.0008
- (51) **LOC (11) Cl.** **21-02**
- (52) **U.S. Cl.**
- USPC **D21/803; D21/814**
- (58) **Field of Classification Search**
- USPC D21/646, 769, 770, 771, 778, 792, 801,
D21/803, 804, 805, 806, 807, 808, 810,
D21/814, 818, 819
- CPC A41D 13/0518; A63B 2208/03; A63B
2225/605; A63B 31/00; A63B 31/10;
A63B 69/14; A63B 31/11; B63B 21/66;
B63C 11/02
- See application file for complete search history.

OTHER PUBLICATIONS

<https://www.wibitsports.com/open-water/all-products/229/rodeoslide>—Retrieved Dec. 17, 2017.*

<https://www.youtube.com/watch?v=RoEekt0Cf9M>—Published Oct. 6, 2016.*

* cited by examiner

Primary Examiner — Manpreet S Matharu
Assistant Examiner — Mojtaba Tehrani
(74) *Attorney, Agent, or Firm* — Arent Fox LLP

(57) **CLAIM**

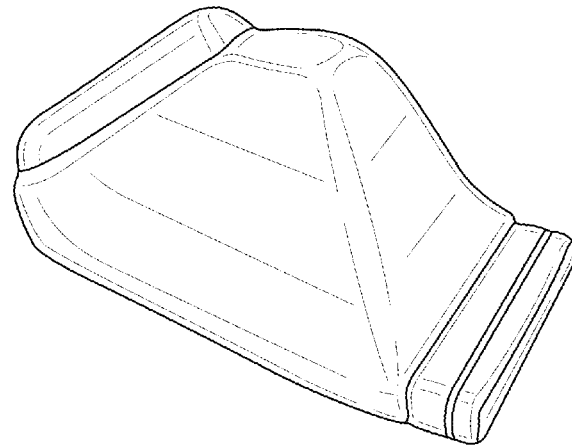
The ornamental design for a recreational device, as shown and described.

DESCRIPTION

FIG. 1 is perspective view of the recreational device showing our new design; FIG. 2 is a right side view of the design shown in FIG. 1; FIG. 3 is a left side view of the design shown in FIG. 1; FIG. 4 is a front view of the design shown in FIG. 1; FIG. 5 is a back view of the design shown in FIG. 1; FIG. 6 is a top view of the design shown in FIG. 1; and, FIG. 7 is a bottom view of the design shown in FIG. 1.

1 Claim, 7 Drawing Sheets

- (56) **References Cited**
- U.S. PATENT DOCUMENTS
- D327,198 S * 6/1992 Erker, Jr. 5/639
- D328,631 S * 8/1992 Frye D21/769
- D340,965 S * 11/1993 Lee D21/818
- D349,743 S * 8/1994 Hare D12/316
- D417,481 S * 12/1999 Schwartz D12/401
- D440,621 S * 4/2001 Coleman D21/811



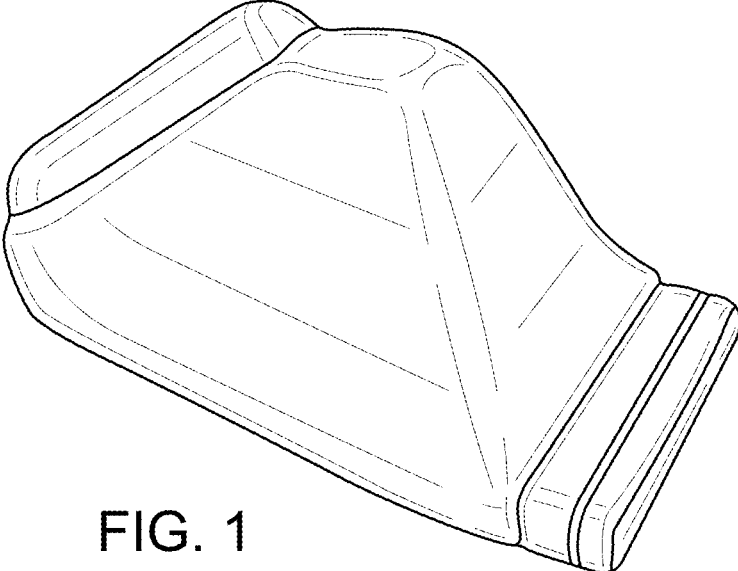


FIG. 1

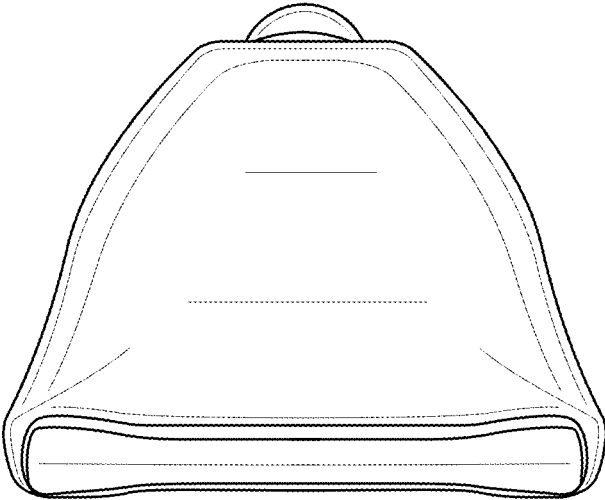


FIG. 2

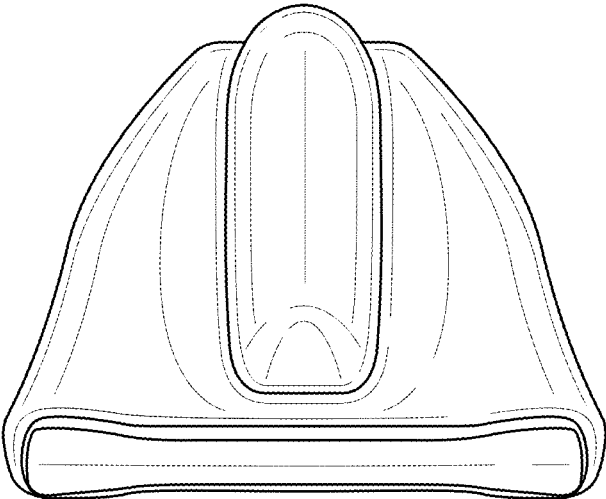


FIG. 3

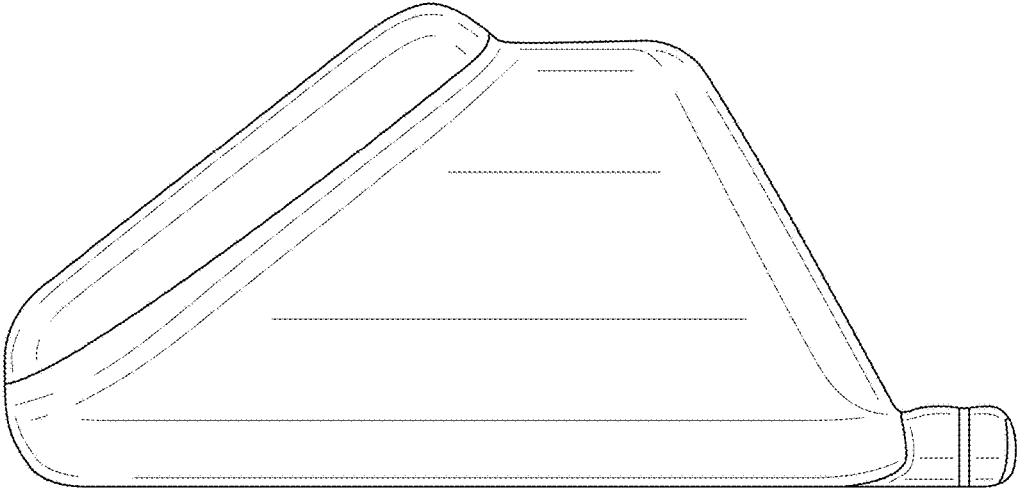


FIG. 4

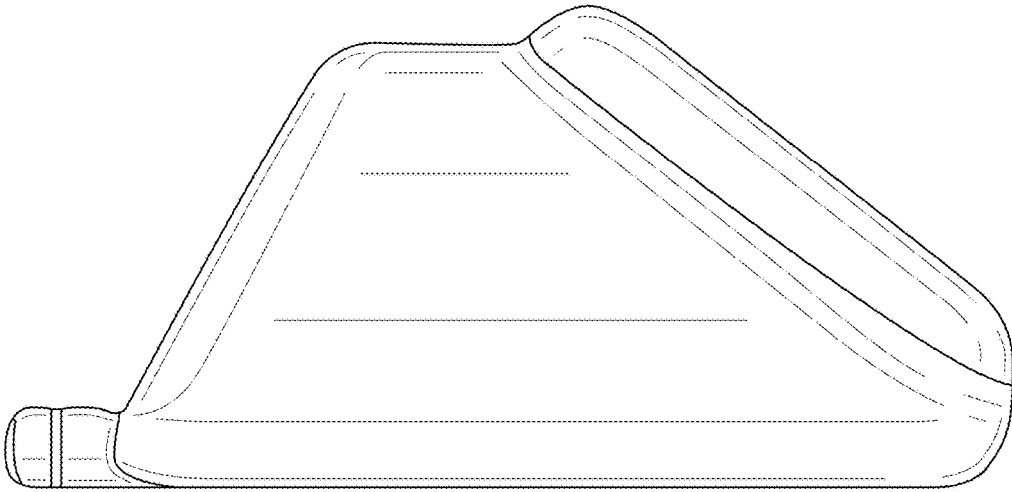


FIG. 5

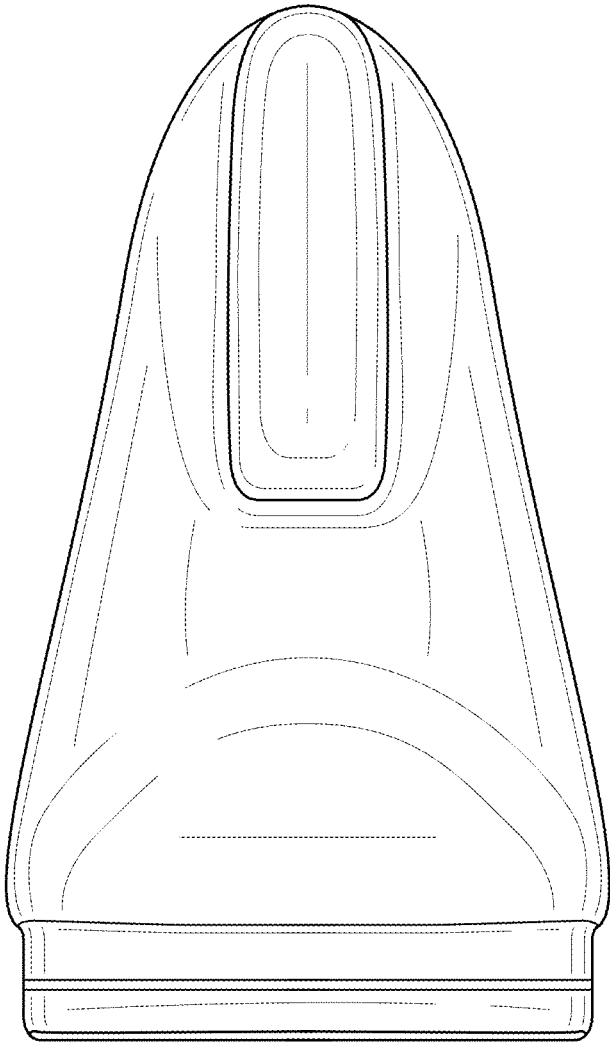


FIG. 6

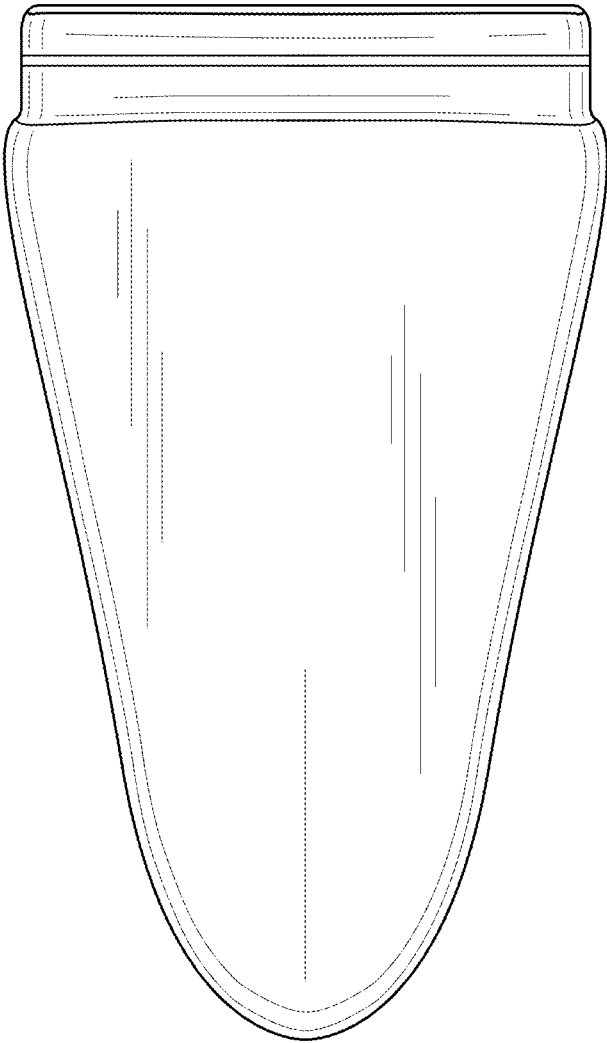


FIG. 7