



US00D833217S

(12) **United States Design Patent**
Lin

(10) **Patent No.:** **US D833,217 S**

(45) **Date of Patent:** **** Nov. 13, 2018**

(54) **TAP**

(71) Applicant: **Dongsheng Lin**, Ningbo (CN)

(72) Inventor: **Dongsheng Lin**, Ningbo (CN)

(**) Term: **15 Years**

(21) Appl. No.: **29/608,874**

(22) Filed: **Jun. 27, 2017**

(51) **LOC (11) Cl.** **07-01**

(52) **U.S. Cl.**

USPC **D7/398**

(58) **Field of Classification Search**

USPC D7/398, 313, 315, 306

CPC B67D 3/02; B65D 3/0016; A47J 43/046

See application file for complete search history.

(56) **References Cited**

U.S. PATENT DOCUMENTS

3,104,089 A * 9/1963 Seltsam B67D 1/1466
16/441

D241,841 S * 10/1976 Frahm et al. D7/398

D520,808 S * 5/2006 Beesley D7/378

D525,828 S * 8/2006 Daniels, Jr. D7/398

7,270,156 B2 * 9/2007 Beesley A47J 43/046

141/82

D703,990 S * 5/2014 Henderson D7/306

* cited by examiner

Primary Examiner — Robert A Delehanty

(74) *Attorney, Agent, or Firm* — Gokalp Bayramoglu

(57) **CLAIM**

The ornamental design for a tap, as shown and described.

DESCRIPTION

FIG. 1 is a perspective view of a tap showing the new design;

FIG. 2 is a front view of the tap;

FIG. 3 is a rear view of the tap;

FIG. 4 is a top view of the tap;

FIG. 5 is a bottom view of the tap;

FIG. 6 is a left side view of the tap; and,

FIG. 7 is a right side view of the tap.

1 Claim, 7 Drawing Sheets

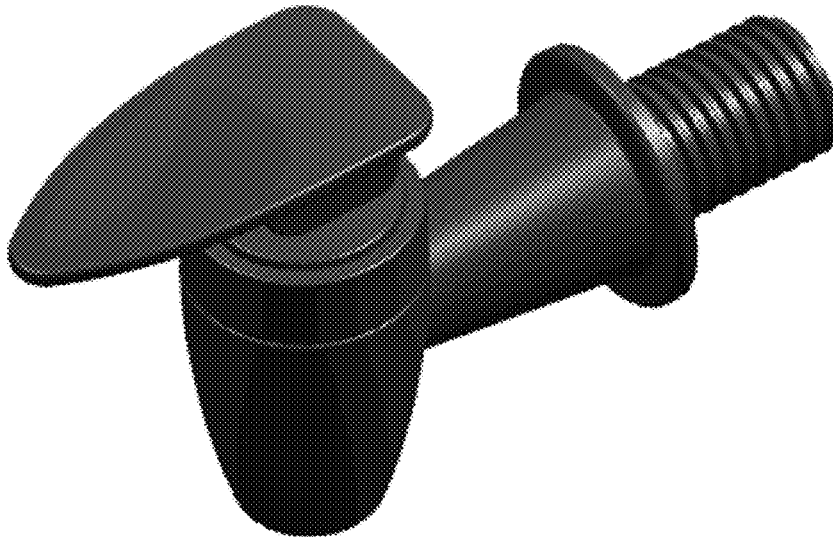




Figure 1

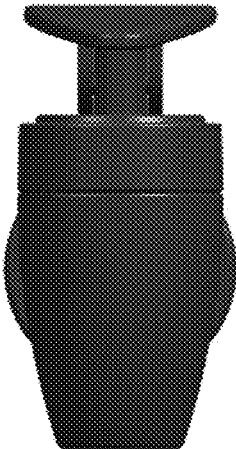


Figure 2

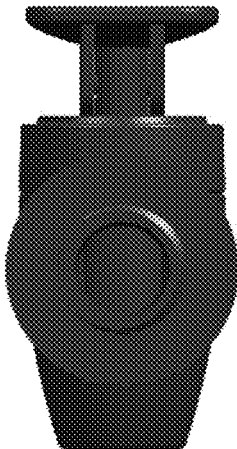


Figure 3

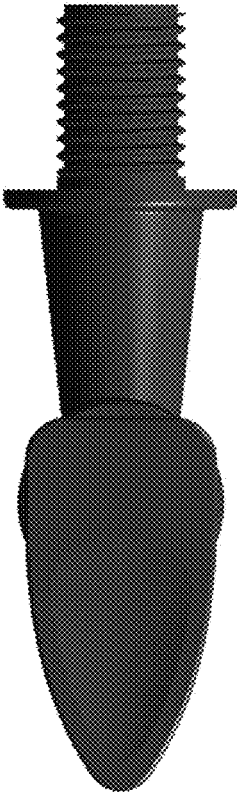


Figure 4

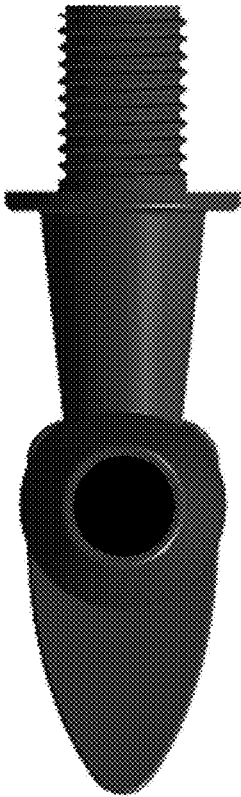


Figure 5

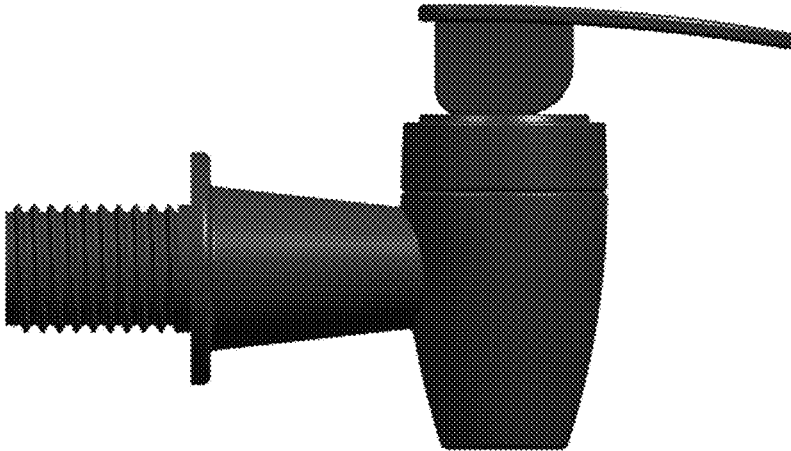


Figure 6

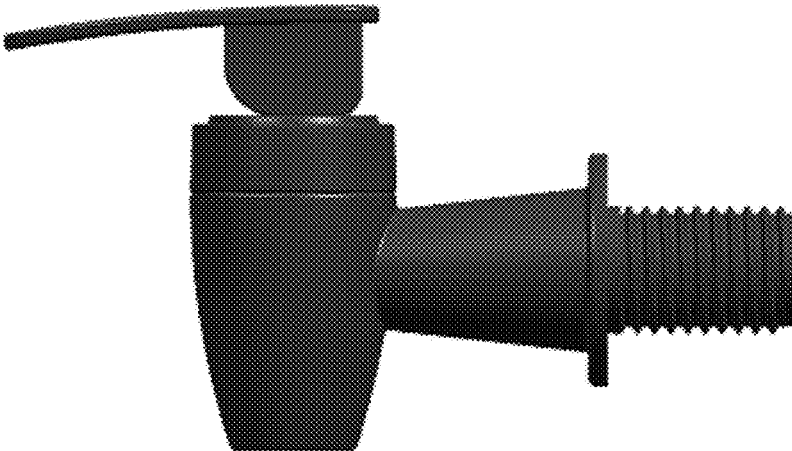


Figure 7