

(21) Application No 8726555.9

(22) Date of filing 12.11.1987

(71) Applicant
Raymond Albert Hendle
58 Laird Avenue, Little Thurrock, Grays, Essex,
RM16 2NP, United Kingdom

(72) Inventor
Raymond Albert Hendle

(74) Agent and/or Address for Service
Raymond Albert Hendle
58 Laird Avenue, Little Thurrock, Grays, Essex,
RM16 2NP, United Kingdom

(51) INT CL⁴
G09F 15/00 // G09F 13/00

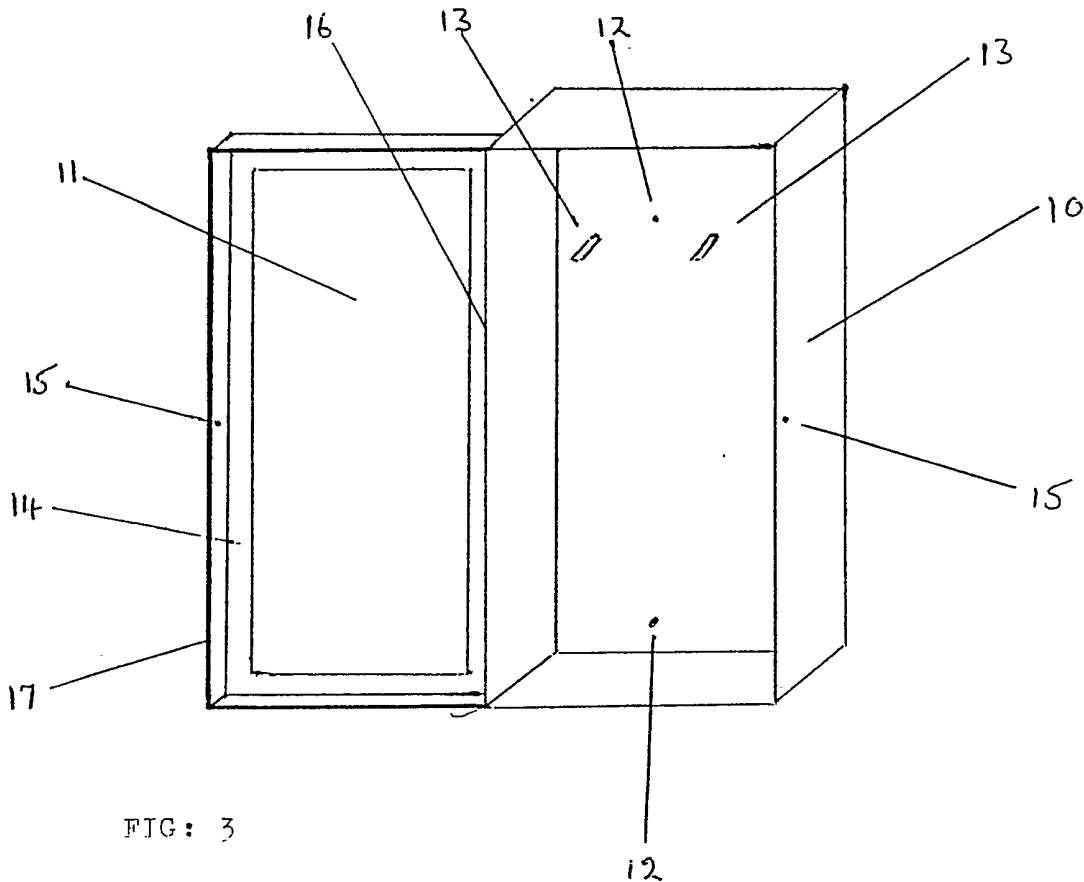
(52) UK CL (Edition J)
G5C CES

(56) Documents cited
GB 1545620 A GB 0754863 A GB 0282866 A
US 4169327 A

(58) Field of search
UK CL (Edition J) A4X X13, G5C CEL CEM CEQ
CES
INT CL⁴ G09F

(54) Door information box

(57) A door information box of plastics material comprises a back 10, and a hinged door 14 with a transparent window 11 fitted in it, a rubber seal 17 fitted around its periphery and a catch 15. The back case of the box has two protruding prongs 13 to hold pre written or self written messages (18). The back also has two small holes drilled 12 in it to enable the box to be fitted to a door. The box may also contain a small light to enable messages to be read in the dark.



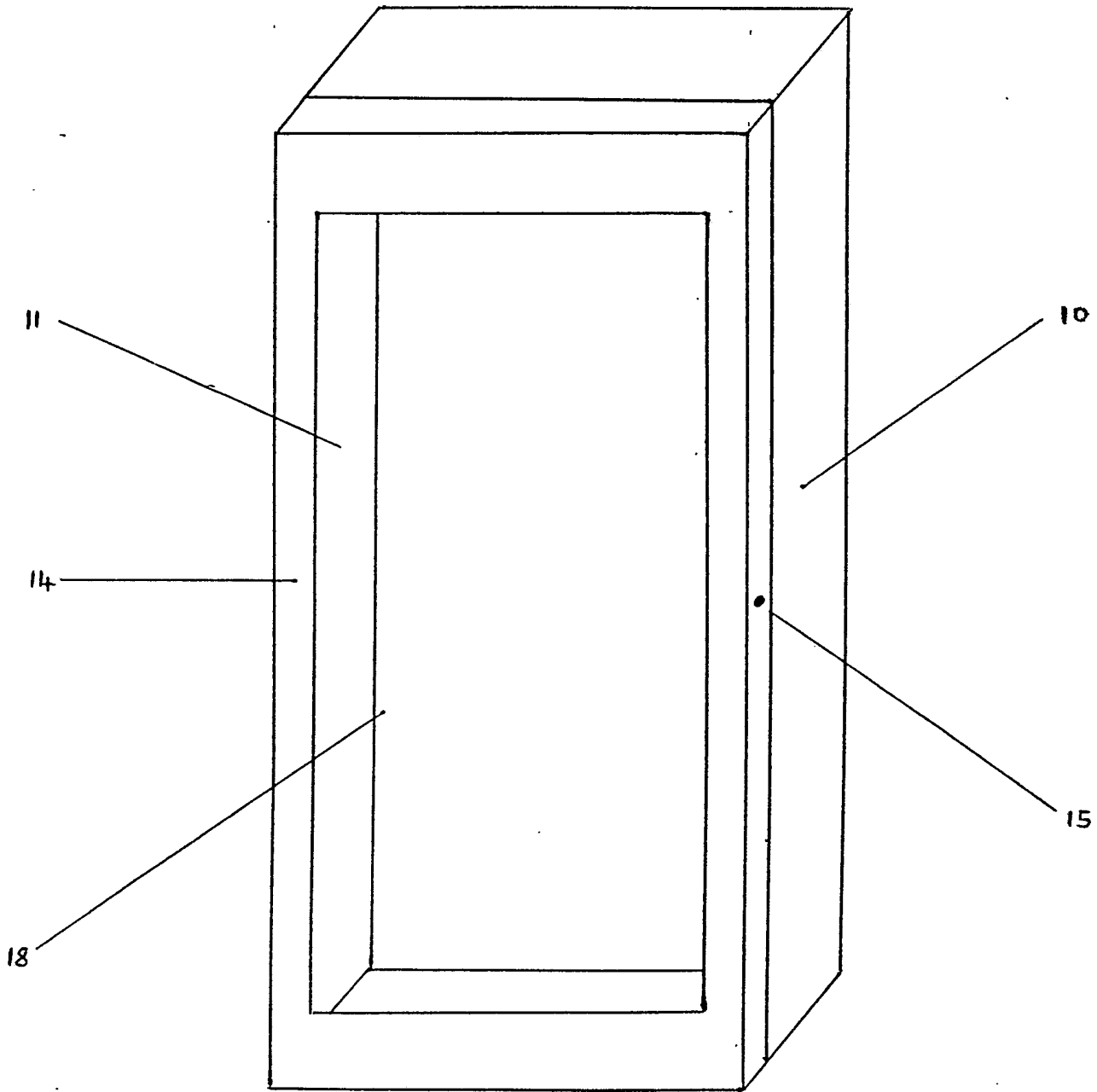


FIG: 1

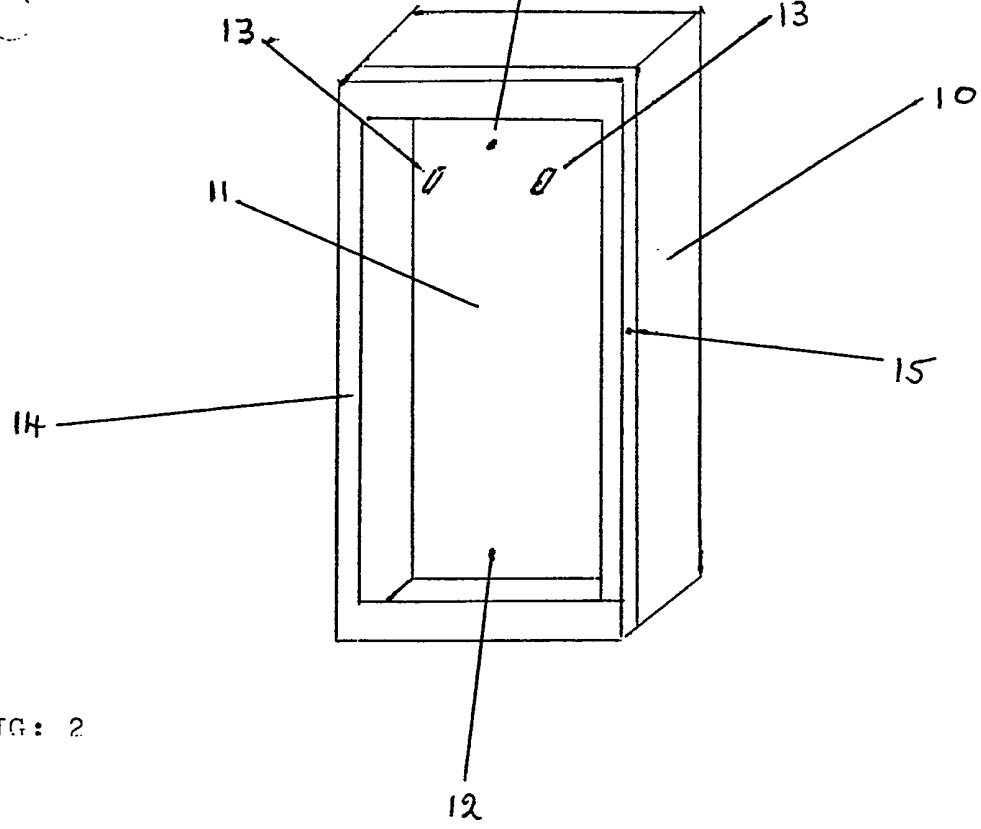


FIG: 2

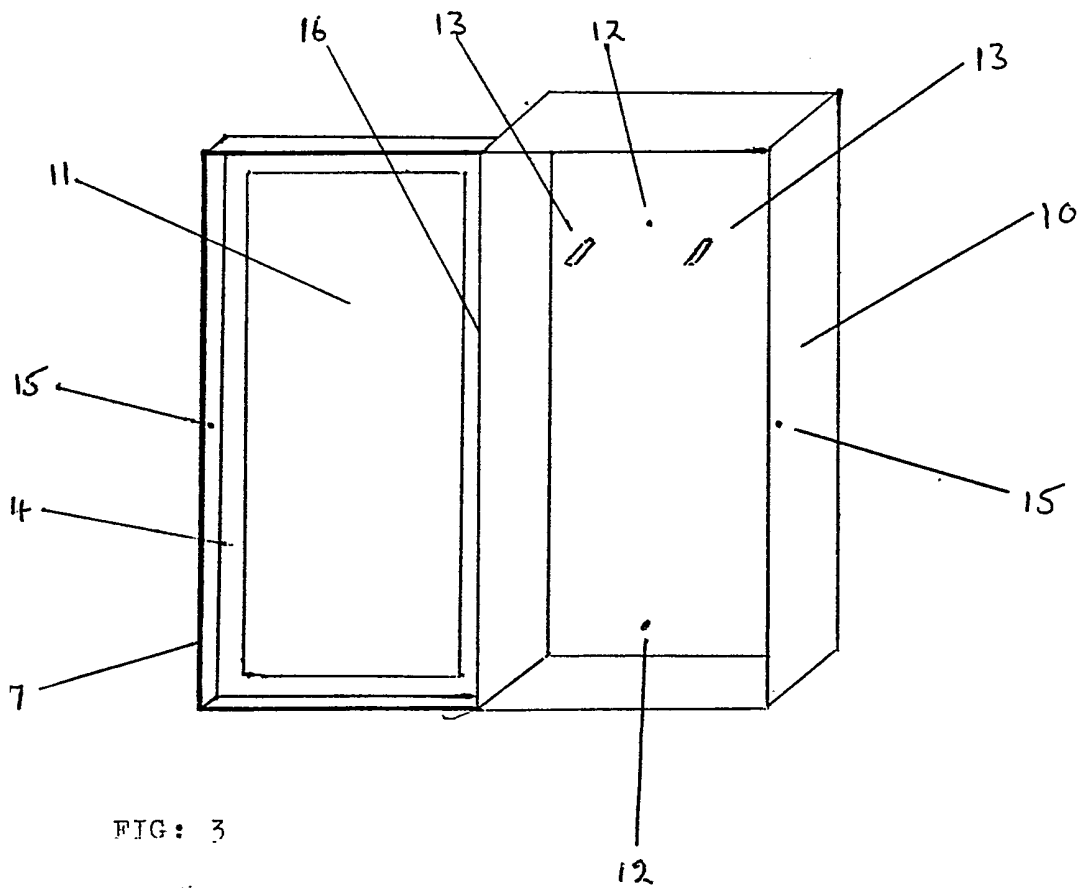


FIG: 3

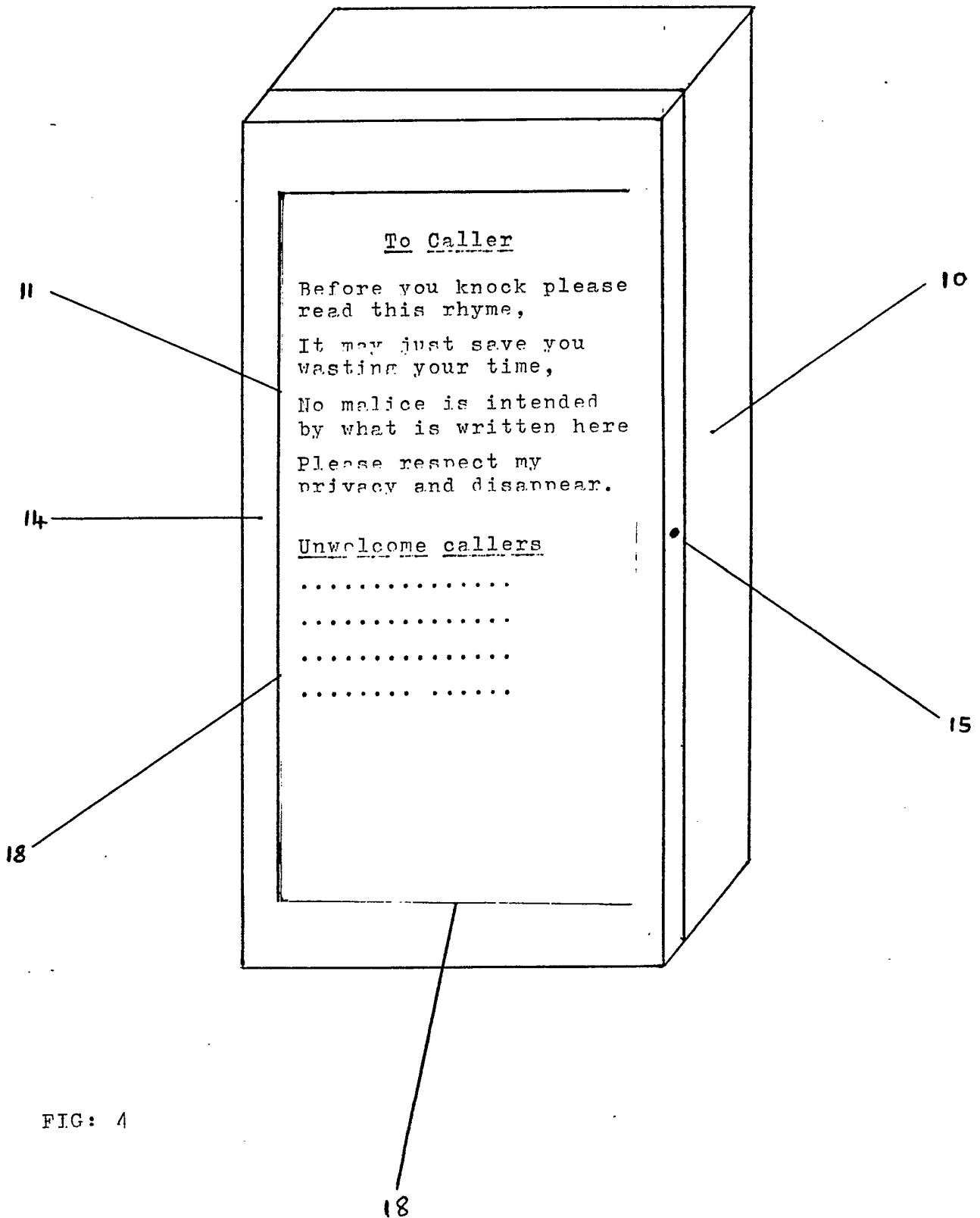


FIG: 4

The present invention relates to a door information box. The present invention seeks to provide a container which fastens to a door, inside which is placed messages.

Many people place scraps of paper on their doors with scribbled messages on them. When weather conditions get adverse the piece of paper gets wet becoming illegible or they may even be blown away by the wind. The present invention 'The Info Box' aims to do away with all these problems.

The Info Box is a container, size being 15.2cm by 7.6cm by 2.5cm. It will be manufactured in plastic, the back and sides being made of a hard non-translucent plastic. The door will also be made of a hard non-translucent plastic but will incorporate a transparent window made of clear plastic which will enable a person to see through.

Inside the Info Box can be placed a message which will be helpful to people such as shift workers who have to sleep during the day or the elderly who might take longer to answer the door.

Supplied with the Info Box will be a pad of pre-written messages for different contingencies.

See Fig: 4

The messages can be placed inside the Info Box at ones own discretion.

The Info Box may be fitted with a rubber seal between the door and the back case to prevent condensation which will ensure the message to be legible at all times.

The Info Box will also be fitted with two protruding prongs protruding from the back case which will enable the message pad to be held in place.

It will also be appreciated that the Info Box may contain a small light which will enable the messages to be read in the dark. Therefore the Info Box is simply a container which either screws to a door or is fixed by other means which has pre-written messages or self written messages placed in it to inform people of something one wishes to be known i.e.

(a) I am in bed sleeping please do not disturb

(b) To warn away unwelcome callers such as salesmen one doesn't wish to speak to.

Fig: 1 shows the complete Info Box without pre-written message.

Fig: 2 shows the Info Box complete with all fittings.

Fig: 3 shows the Info Box with door open.

Fig: 4 shows the Info Box complete with one of a choice of pre-written messages.

CLAIMS

- (1) A container comprising of a hard non-translucent back with a hinged door manufactured in hard non-translucent plastic with a transparent window fitted in it.
- (2) A container as claimed in (1) wherein a catch is provided to keep the door shut.
- (3) A container as claimed in (1) & (2) wherein a rubber seal is fitted around the periphery of the door.
- (4) A container as claimed in all preceding claims wherein the back case is fitted with two protruding prongs to hold a message pad.
- (5) A container as claimed in (4) wherein the back case is fitted with two holes for fixing.
- (6) A container substantially as described herein with reference to accompanying drawings Fig: 1-4.