



US00D540176S

(12) **United States Design Patent**  
**Flurer et al.**

(10) **Patent No.:** **US D540,176 S**

(45) **Date of Patent:** **\*\* Apr. 10, 2007**

- (54) **COMBINED BOTTLE AND CAP**
- (75) Inventors: **Ursula A Flurer**, New York, NY (US);  
**Laura Garza**, Chicago, IL (US)
- (73) Assignee: **Conopco, Inc.**, Englewood Cliffs, NJ (US)
- (\*\*) Term: **14 Years**

D511,685 S	*	11/2005	Choi	.....	D9/449
D516,425 S	*	3/2006	Haffner et al.	.....	D9/449
D527,636 S	*	9/2006	Bakic	.....	D9/521
D528,005 S	*	9/2006	Bakic	.....	D9/529
D529,388 S	*	10/2006	Bakic	.....	D9/529

- (21) Appl. No.: **29/246,563**
- (22) Filed: **Apr. 24, 2006**

**FOREIGN PATENT DOCUMENTS**

EM 000434014-0001 \* 11/2005

\* cited by examiner

*Primary Examiner*—Ian Simmons

*Assistant Examiner*—Anna Burmeister

(74) *Attorney, Agent, or Firm*—Karen E. Klumas

- (51) **LOC (8) Cl.** ..... **09-01**
- (52) **U.S. Cl.** ..... **D9/529; D9/447**
- (58) **Field of Classification Search** ..... D9/434,  
D9/440, 446, 449, 516, 521–522, 529, 549,  
D9/552, 565; 220/660, 669–670, 675  
See application file for complete search history.

(57) **CLAIM**

The ornamental design for a combined bottle and cap, as shown and described.

(56) **References Cited**

**U.S. PATENT DOCUMENTS**

3,342,379 A	*	9/1967	Foley	.....	222/173
D401,507 S	*	11/1998	Gonda et al.	.....	D9/529
D439,165 S	*	3/2001	Erckelbout et al.	.....	D9/520
D447,693 S	*	9/2001	Warner et al.	.....	D9/776
D459,996 S	*	7/2002	Kuzma et al.	.....	D9/549
D486,400 S	*	2/2004	Bakic	.....	D9/558
D487,400 S	*	3/2004	Oates	.....	D9/521
D501,141 S	*	1/2005	Bakic	.....	D9/521

**DESCRIPTION**

FIG. 1 is a perspective view of a combined bottle and cap embodying the new design;

FIG. 2 is a front view thereof;

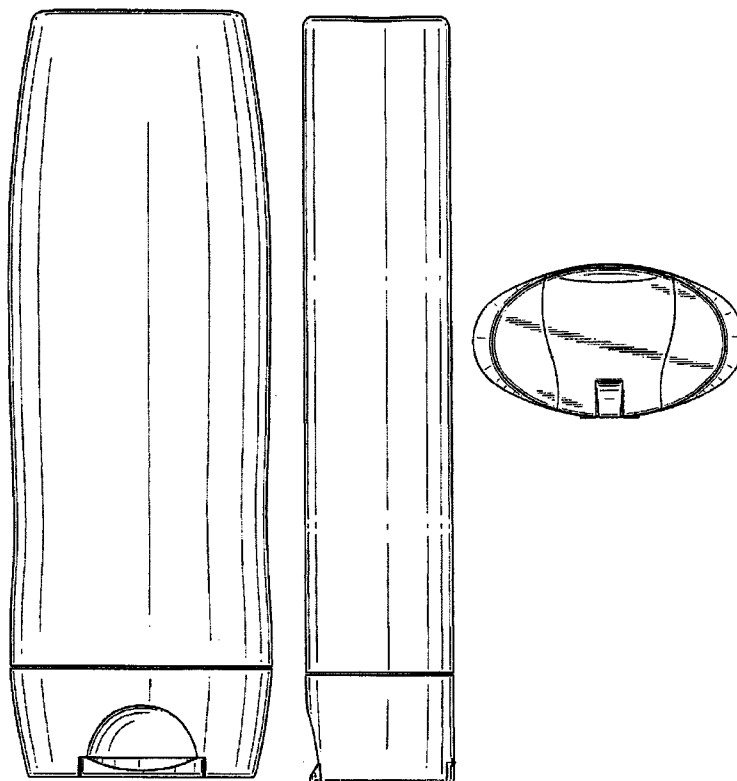
FIG. 3 is a right side view thereof, the left side being a mirror image;

FIG. 4 is a back view thereof;

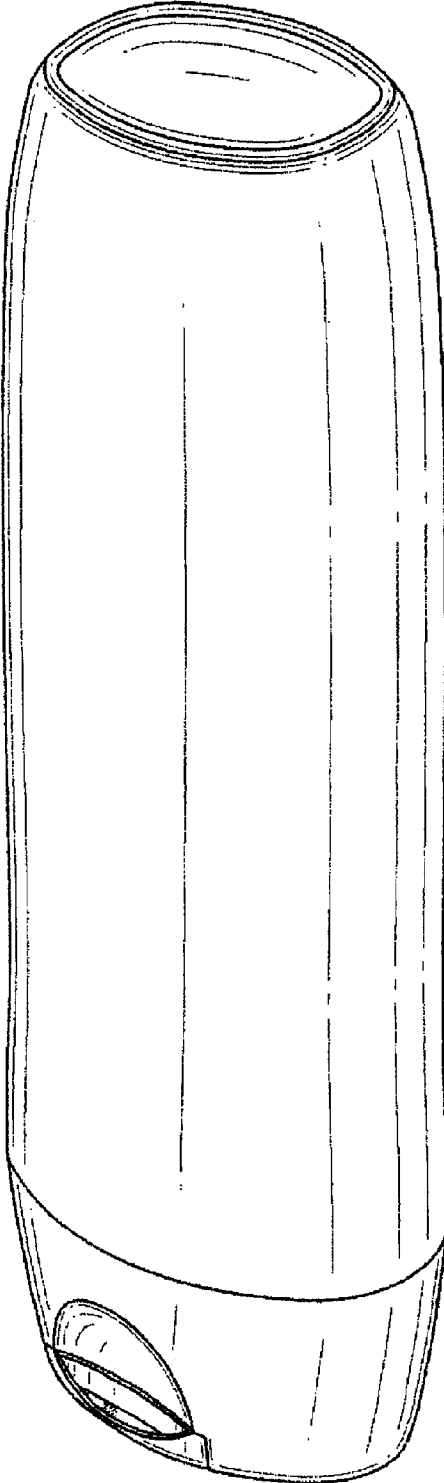
FIG. 5 is a top plan view thereof; and,

FIG. 6 is a bottom plan view thereof.

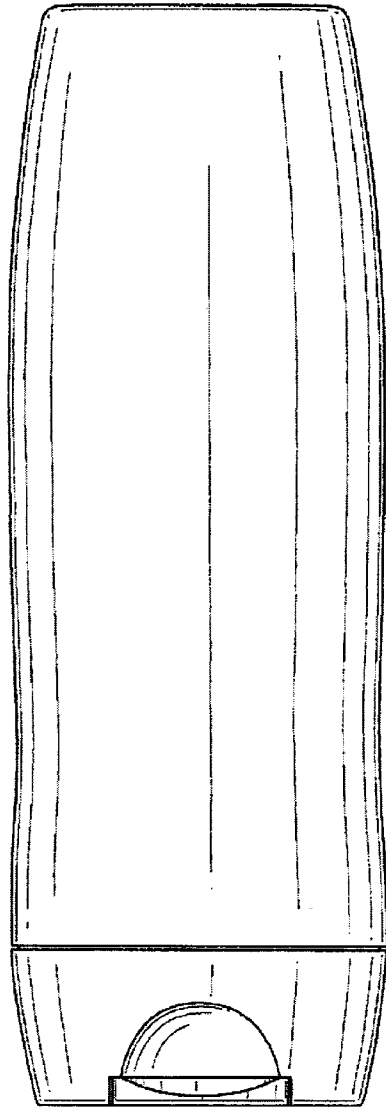
**1 Claim, 4 Drawing Sheets**



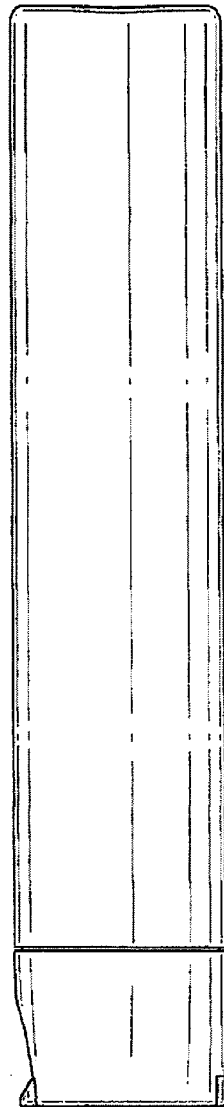
**FIG. 1**



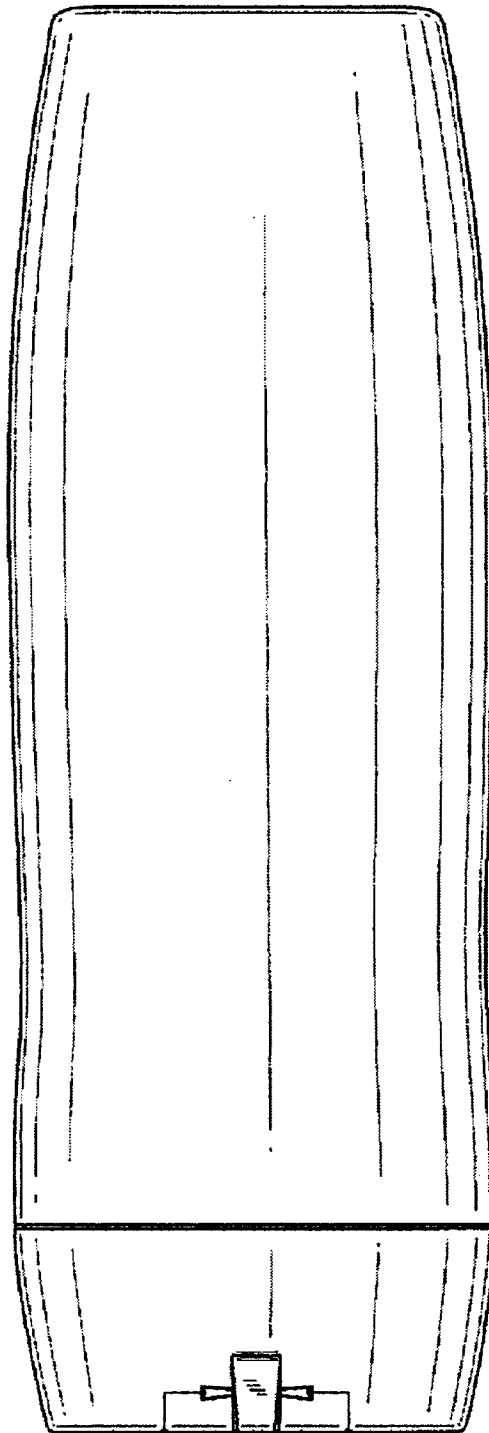
**FIG. 2**



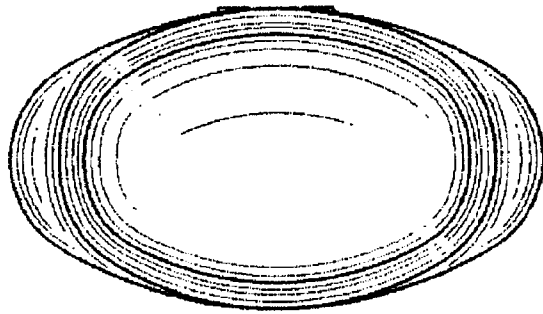
**FIG. 3**



**FIG. 4**



**FIG. 5**



**FIG. 6**

