



US00D613490S

(12) **United States Design Patent**
Feller et al.

(10) **Patent No.:** **US D613,490 S**

(45) **Date of Patent:** **** Apr. 13, 2010**

(54) **STRAP FOR A SHOE**

(76) Inventors: **Craig Feller**, 29433 Gray Hawk Dr.,
Evergreen, CO (US) 80439; **David G. Berg**, 1371 Waverly, White Lake, MI
(US) 48386; **Thomas E. McGann, III**,
2349 Ethel, Walled Lake, MI (US) 48390

3,867,771 A 2/1975 Levine
D238,625 S * 2/1976 York, Jr. D2/917
3,983,642 A 10/1976 Liao et al.
4,114,295 A 9/1978 Schaefer et al.
4,114,296 A 9/1978 Smith
4,172,330 A 10/1979 Kao
4,193,214 A 3/1980 Wang et al.

(**) Term: **14 Years**

(21) Appl. No.: **29/320,865**

(Continued)

(22) Filed: **Jul. 7, 2008**

Primary Examiner—Stella M Reid

Assistant Examiner—Rashida C McCoy

(51) **LOC (9) Cl.** **02-99**

(52) **U.S. Cl.** **D2/978**

(58) **Field of Classification Search** D2/900,
D2/916–918, 943, 946, 969, 974, 976; 36/45,
36/11.5, 90, 101, 3 A, 50.1, 7.5, 9 R

(74) *Attorney, Agent, or Firm*—Gifford, Krass, Sprinkle,
Anderson & Citkowski, P.C.

See application file for complete search history.

(57) **CLAIM**

The ornamental design for a strap for a shoe, as shown and described.

(56) **References Cited**

U.S. PATENT DOCUMENTS

1,823,445 A 9/1931 Goldstone
2,253,860 A 8/1941 Martin
D132,630 S 6/1942 Pfeiffer
2,343,701 A 3/1944 Pickens
2,491,297 A 12/1949 Brown
2,495,984 A 1/1950 Roy
2,526,940 A 10/1950 Fello
D161,707 S 1/1951 Peterson
2,590,648 A 3/1952 Pitz
2,607,133 A 8/1952 Marlowe
2,694,438 A 11/1954 Wilhelm
2,873,540 A 2/1959 Murphy
2,889,639 A 6/1959 Rudine
2,957,253 A 10/1960 Metzler
3,063,166 A 11/1962 Blavier
3,228,124 A 1/1966 Schwartz
3,455,037 A 7/1969 Vlas et al.
3,672,078 A 6/1972 Fukuoka et al.
3,739,501 A 6/1973 Barrett, Jr.

DESCRIPTION

FIG. 1 is a perspective view of a strap for a shoe according to a first embodiment of the present invention;

FIG. 2 is a side perspective view of the strap of FIG. 1;

FIG. 3 is an opposite side perspective view of the strap of FIGS. 1–2;

FIG. 4 is a top perspective view of the strap of FIGS. 1–3;

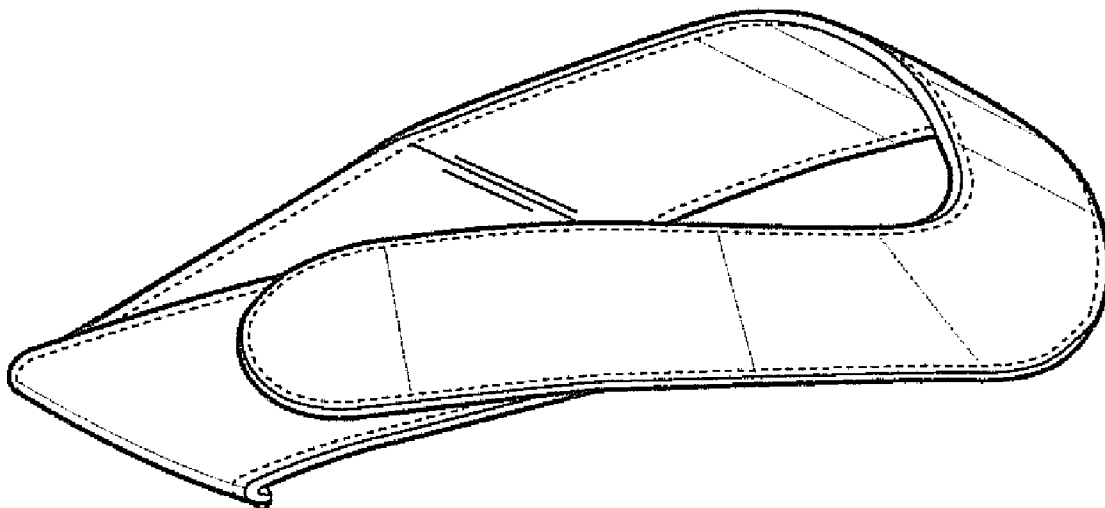
FIG. 5 is a bottom perspective view of the strap of FIGS. 1–4;

FIG. 6 is a front perspective view of the strap of FIGS. 1–5; and,

FIG. 7 is a rear perspective view of the strap of FIGS. 1–6.

The broken lines shown in the Figures are for environmental purposes only and form no part of the claimed design.

1 Claim, 3 Drawing Sheets



US D613,490 S

U.S. PATENT DOCUMENTS

4,267,649 A	5/1981	Smith	D441,942 S	5/2001	Kelchak		
4,279,083 A	7/1981	Dilg	6,282,818 B1	9/2001	Lu et al.		
4,297,798 A	11/1981	Colan	D454,425 S	3/2002	Boncutter		
4,300,294 A	11/1981	Riecken	D467,407 S	12/2002	Berg et al.		
4,314,412 A	2/1982	Anderson et al.	D467,709 S	12/2002	Berg et al.		
4,343,057 A	8/1982	Bensley et al.	D470,304 S	2/2003	Berg et al.		
4,348,820 A	9/1982	D'Alessio	D471,346 S	3/2003	Bray, Jr. et al.		
4,363,177 A	12/1982	Boros	D485,050 S	1/2004	Lin		
4,370,818 A	2/1983	Simoglou	D485,970 S	2/2004	Magro et al.		
4,439,935 A	4/1984	Kelly	D485,971 S	2/2004	Magro et al.		
4,450,633 A	5/1984	Connelly et al.	D492,474 S	7/2004	Branstrom		
4,461,102 A	7/1984	DeVincentis	D495,123 S *	8/2004	Wakatake	D2/969
4,497,123 A	2/1985	Ehrlich et al.	D495,124 S	8/2004	Wakatake		
4,563,787 A	1/1986	Drew et al.	6,792,696 B2	9/2004	Berg et al.		
4,745,693 A	5/1988	Brown	D497,243 S	10/2004	McClaskie		
4,854,056 A	8/1989	Levin	D499,236 S	12/2004	Magro et al.		
4,869,000 A	9/1989	York, Jr.	6,883,252 B2 *	4/2005	Cagner	36/11.5
4,887,369 A	12/1989	Bailey et al.	6,904,706 B2 *	6/2005	Jones et al.	36/11.5
4,896,440 A	1/1990	Salaverria	D514,778 S	2/2006	Berg et al.		
4,967,750 A	11/1990	Cherniak et al.	D514,780 S	2/2006	Berg et al.		
5,052,131 A	10/1991	Rondini	D518,947 S	4/2006	Choi et al.		
5,065,531 A	11/1991	Prestridge	7,028,420 B2	4/2006	Tonkel		
5,381,610 A	1/1995	Hanson	D521,214 S	5/2006	Choi et al.		
5,410,821 A	5/1995	Hilgendorf	D528,747 S	9/2006	Issler		
5,423,134 A	6/1995	Bagnaia et al.	7,117,615 B2	10/2006	Gerber		
5,459,948 A	10/1995	Aveni	D535,085 S *	1/2007	Berg et al.	D2/946
5,477,625 A	12/1995	Goldsmith et al.	D535,464 S	1/2007	Belley et al.		
D365,923 S	1/1996	Crowley	7,162,814 B2	1/2007	Berg et al.		
5,483,757 A	1/1996	Frykberg	7,174,657 B2	2/2007	Berg et al.		
D374,335 S	10/1996	Grimes	D542,514 S	5/2007	Amado et al.		
5,611,156 A	3/1997	Chiu	D543,345 S	5/2007	Andersen et al.		
D385,999 S	11/1997	Tong	7,222,442 B2 *	5/2007	Hillyer et al.	36/11.5
5,692,322 A	12/1997	Lombardino	D545,034 S	6/2007	Amado et al.		
5,778,565 A	7/1998	Holt et al.	D552,343 S	10/2007	Brandenburg		
5,802,738 A	9/1998	Ferniani et al.	D554,330 S	11/2007	White		
5,836,090 A	11/1998	Smith	D555,342 S *	11/2007	Reina et al.	D2/970
5,848,484 A	12/1998	Dupree et al.	D556,435 S *	12/2007	Lee	D2/969
5,852,885 A	12/1998	Ferniani et al.	D558,435 S	1/2008	Masoodifar		
D403,493 S	1/1999	McKinley	D558,958 S	1/2008	Motomura et al.		
5,896,684 A	4/1999	Lin et al.	7,328,527 B2	2/2008	Goldman		
5,946,823 A	9/1999	Yates	D564,734 S	3/2008	Krompasick et al.		
D421,828 S	3/2000	Malka	D575,051 S	8/2008	Barteet		
6,035,554 A	3/2000	Duncan	D577,882 S	10/2008	Little		
6,128,834 A	10/2000	Vecchiola et al.					

* cited by examiner

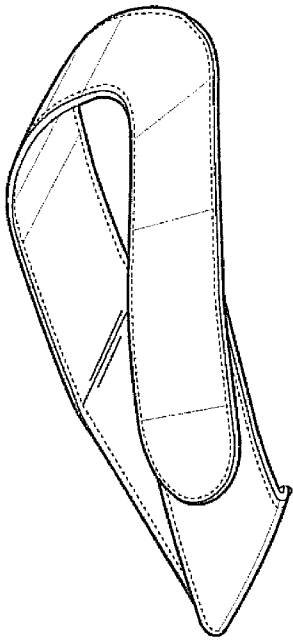


FIG - 1

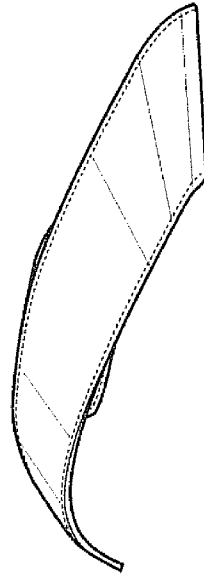


FIG - 2

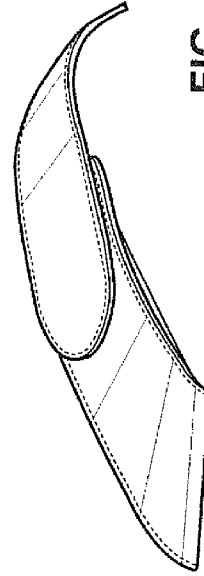


FIG - 3

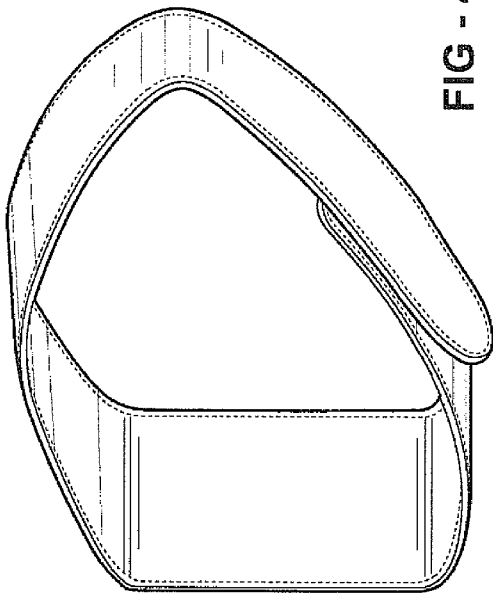


FIG - 4

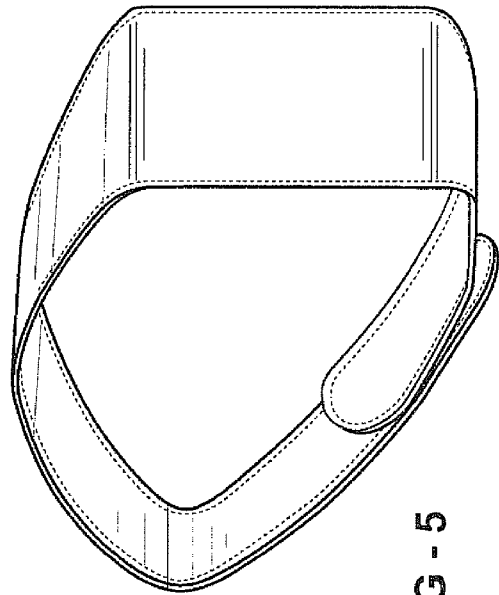


FIG - 5

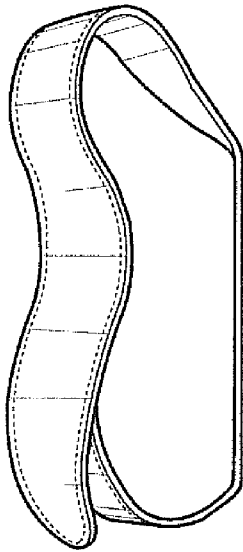


FIG - 6

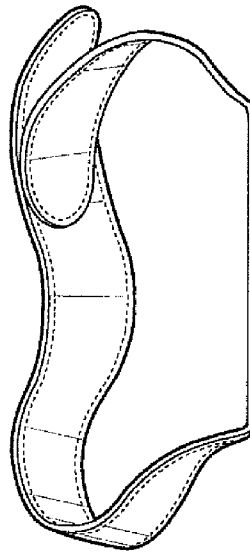


FIG - 7