



US00D600152S

(12) **United States Design Patent**
Stack et al.

(10) **Patent No.:** **US D600,152 S**

(45) **Date of Patent:** **** Sep. 15, 2009**

(54) **MOTION SENSOR LAMP ADAPTOR**

(75) Inventors: **Mike Stack**, Wanaque, NJ (US); **Grady Schenck**, Walden, NY (US)

(73) Assignee: **American Tack and Hardware Co., Inc.**, Saddle River, NJ (US)

(**) Term: **14 Years**

(21) Appl. No.: **29/330,247**

(22) Filed: **Dec. 31, 2008**

(51) **LOC (9) Cl.** **10-05**

(52) **U.S. Cl.** **D10/104**

(58) **Field of Classification Search** D10/104,
D10/106, 70; 340/584, 567, 541, 501, 628,
340/693.6, 693.7, 693.11; D13/152, 169,
D13/171, 134, 125, 158; 709/217; 174/535;
248/218.4; 455/420; 361/674, 748; 362/431,
362/432; D14/155; 438/667; 250/353; 323/282;
315/246; D26/142

See application file for complete search history.

(56) **References Cited**

U.S. PATENT DOCUMENTS

D217,466 S *	5/1970	Garrett	D13/125
D296,549 S *	7/1988	Fenne	D13/134
D320,595 S *	10/1991	Fenne	D13/158
D364,142 S *	11/1995	Metcalfe et al.	D13/134

D367,847 S *	3/1996	Tarulli et al.	D13/158
D382,082 S *	8/1997	Huang et al.	D26/142
D395,408 S *	6/1998	Wiesemann	D10/106

* cited by examiner

Primary Examiner—Caron Veynar
Assistant Examiner—George D Kirschbaum
(74) *Attorney, Agent, or Firm*—Hedman & Costigan, PC;
Kathleen A. Costigan

(57) **CLAIM**

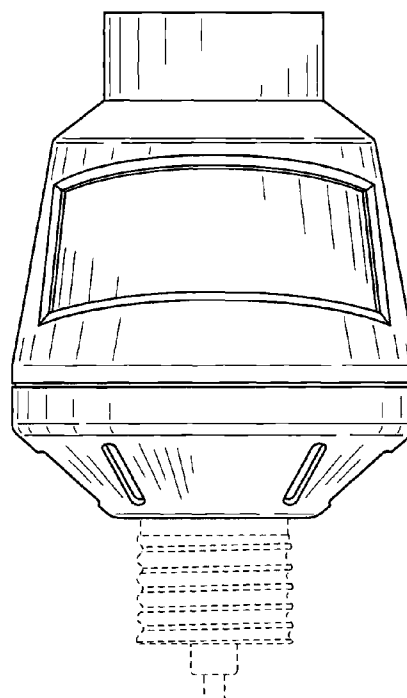
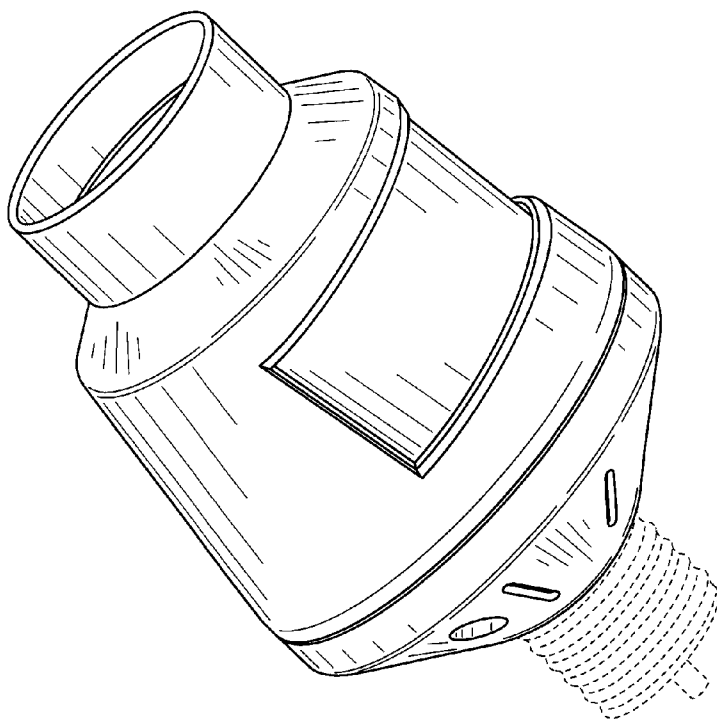
The ornamental design for a motion sensor lamp adaptor, as shown and described.

DESCRIPTION

FIG. 1 is a front and left side perspective view of a motion sensor lamp adaptor showing our new design;
FIG. 2 is a rear elevational view thereof;
FIG. 3 is a front elevational view thereof;
FIG. 4 is a right side elevational view thereof;
FIG. 5 is a left side elevational view thereof;
FIG. 6 is a bottom plan view thereof; and,
FIG. 7 is a top plan view thereof.

The broken-line disclosure of elements in the views are understood to be functional aspects of the article in which the design is embodied and form no part of the claimed design.

1 Claim, 4 Drawing Sheets



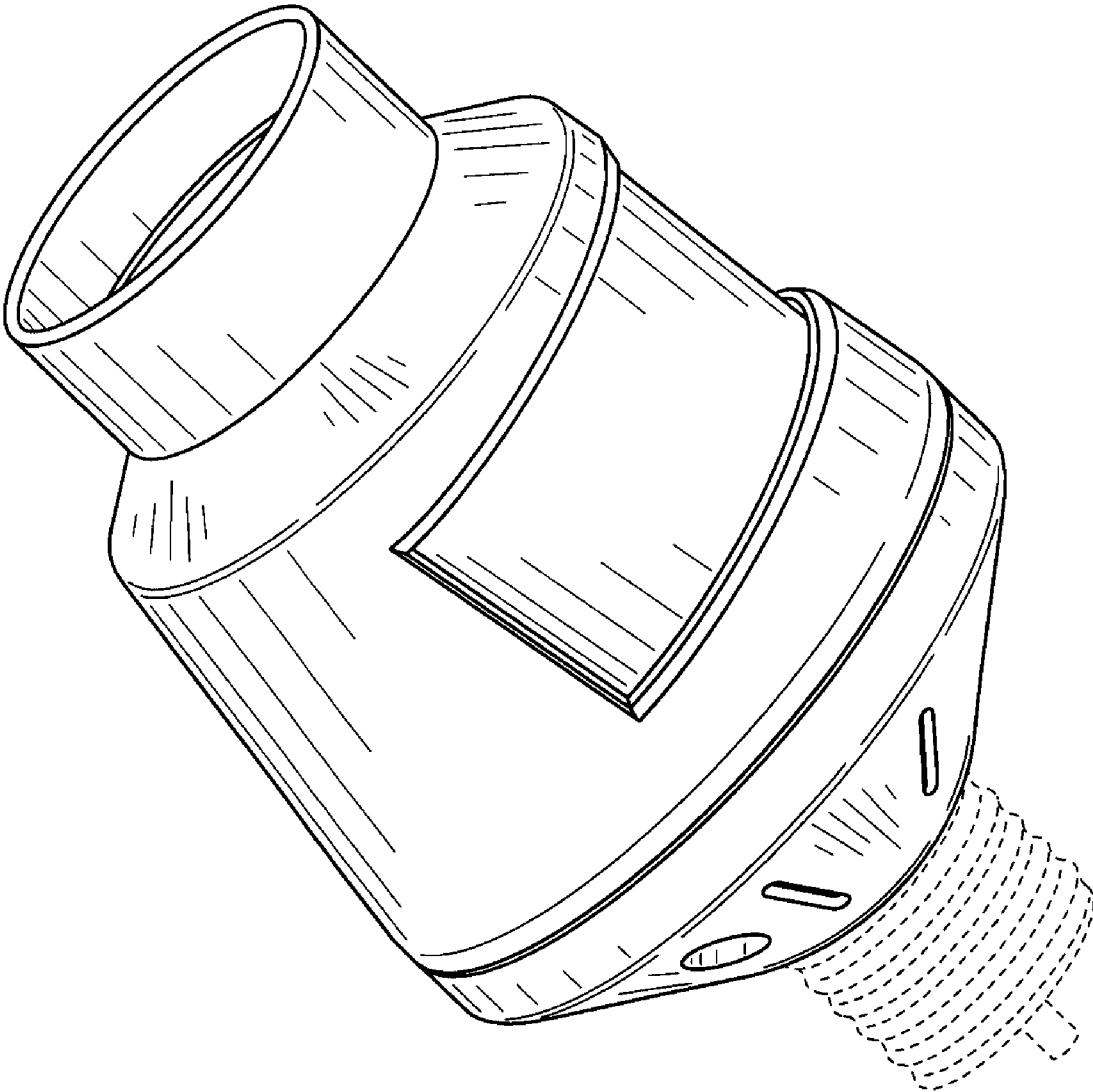


FIG. 1

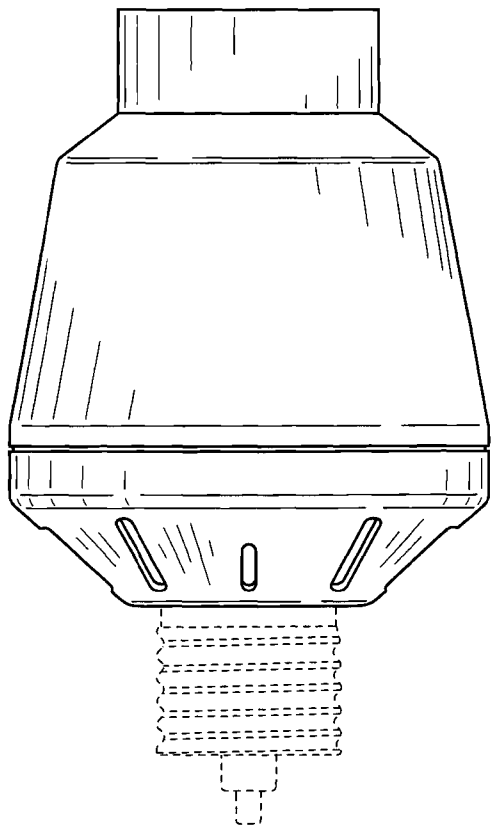


FIG. 2

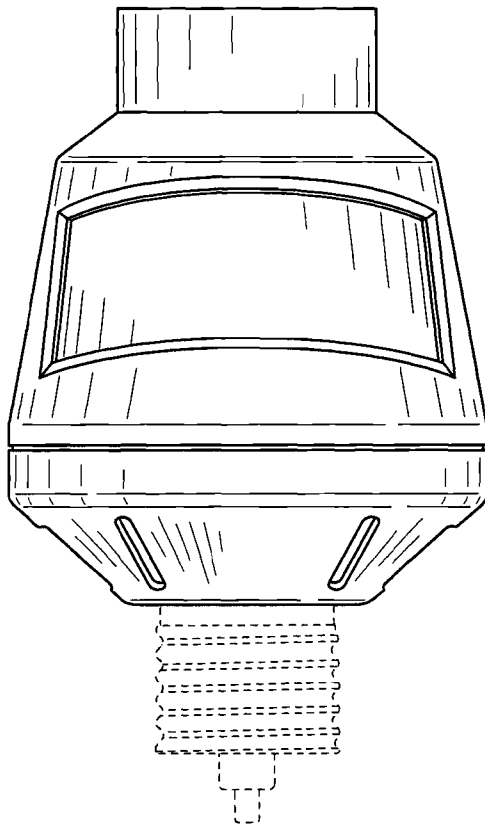


FIG. 3

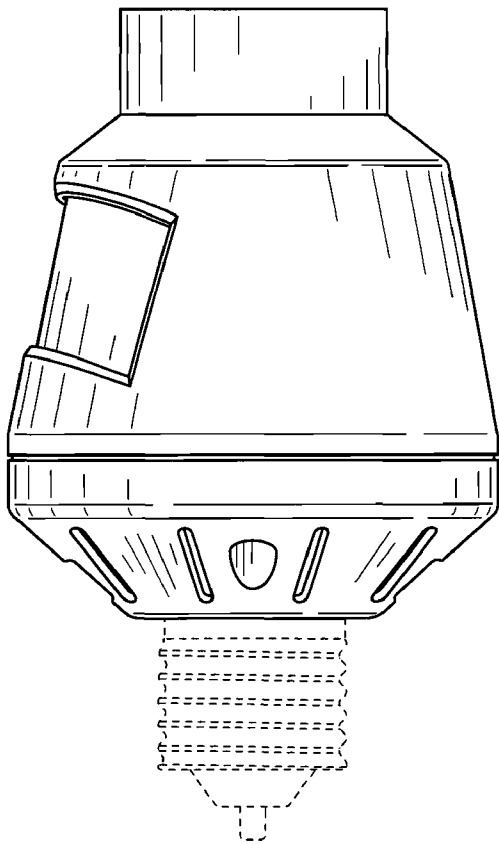


FIG. 4

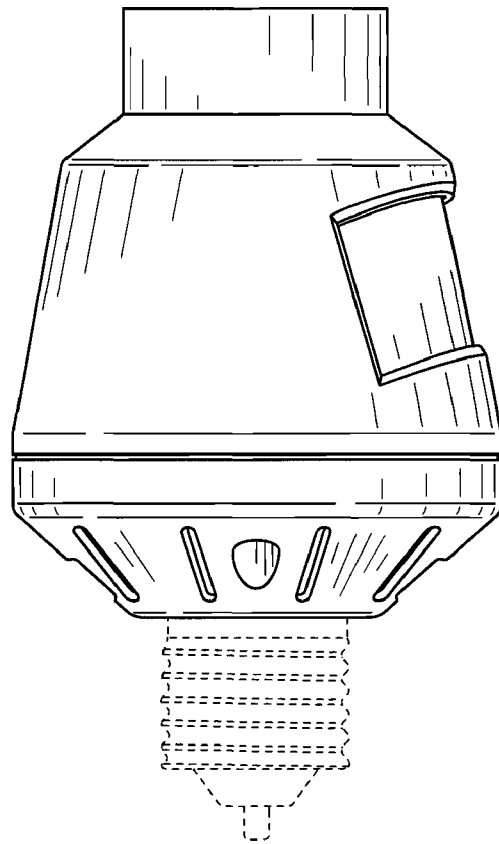


FIG. 5

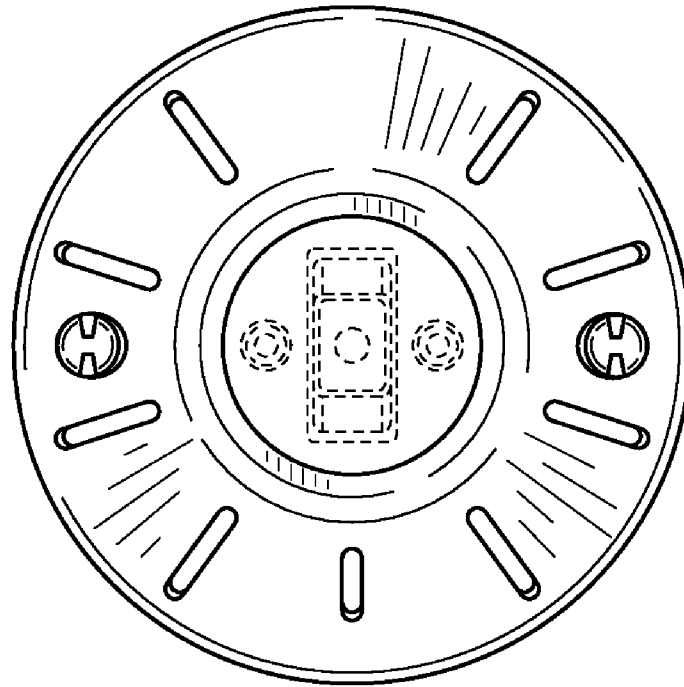


FIG. 6

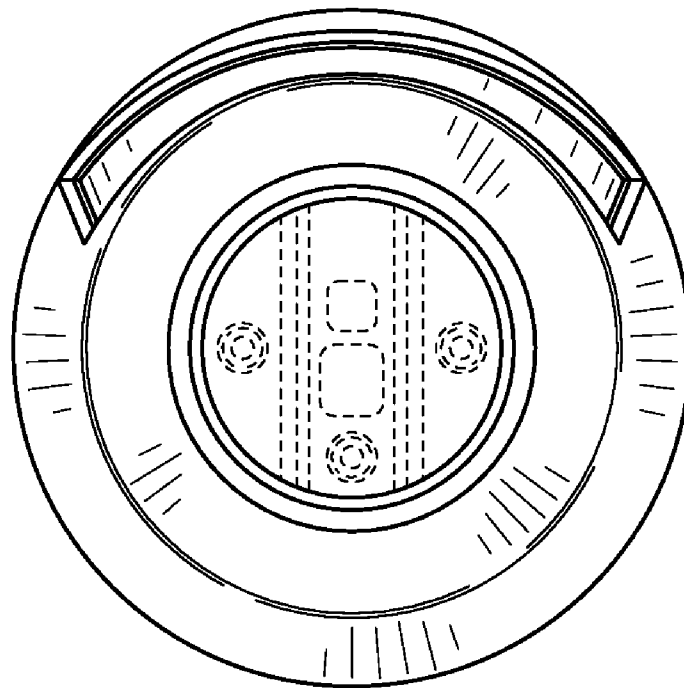


FIG. 7