

(19) World Intellectual Property
Organization
International Bureau



(43) International Publication Date
23 June 2005 (23.06.2005)

PCT

(10) International Publication Number
WO 2005/057301 A1

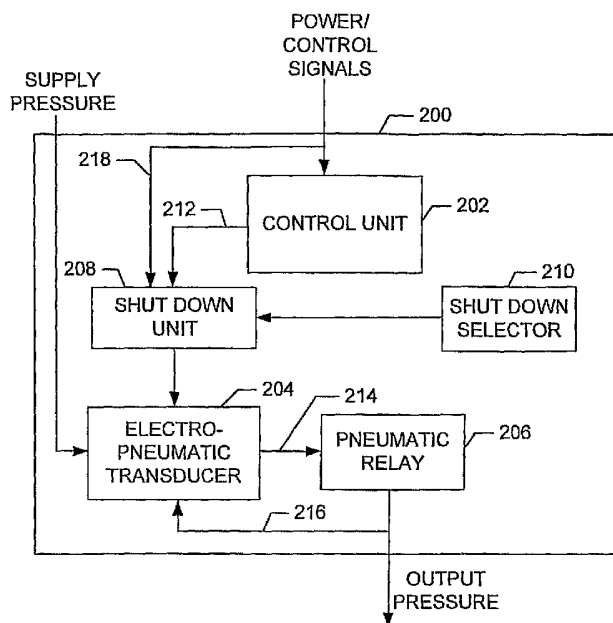
- (51) International Patent Classification⁷: **G05B 9/02**
- (21) International Application Number:
PCT/US2004/034758
- (22) International Filing Date: 20 October 2004 (20.10.2004)
- (25) Filing Language: English
- (26) Publication Language: English
- (30) Priority Data:
10/721,848 25 November 2003 (25.11.2003) US
- (71) Applicant (for all designated States except US): **FISHER CONTROLS INTERNATIONAL LLC** [US/US]; 8100 West Florissant Avenue, St. Louis, MO 63136 (US).
- (72) Inventor; and
- (75) Inventor/Applicant (for US only): **SEBERGER, Steven, G.** [US/US]; 2608 Ridge Road, Marshalltown, IA 50158-9549 (US).
- (74) Agent: **HEPPERMAN, Roger, A.**; Marshall, Gerstein & Borun LLP, 233 South Wacker Drive, 6300 Sears Tower, Chicago, IL 60606-6357 (US).
- (81) Designated States (unless otherwise indicated, for every kind of national protection available): AE, AG, AL, AM, AT, AU, AZ, BA, BB, BG, BR, BW, BY, BZ, CA, CH, CN, CO, CR, CU, CZ, DE, DK, DM, DZ, EC, EE, EG, ES, FI, GB, GD, GE, GH, GM, HR, HU, ID, IL, IN, IS, JP, KE, KG, KP, KR, KZ, LC, LK, LR, LS, LT, LU, LV, MA, MD, MG, MK, MN, MW, MX, MZ, NA, NI, NO, NZ, OM, PG, PH, PL, PT, RO, RU, SC, SD, SE, SG, SK, SL, SY, TJ, TM, TN, TR, TT, TZ, UA, UG, US, UZ, VC, VN, YU, ZA, ZM, ZW.
- (84) Designated States (unless otherwise indicated, for every kind of regional protection available): ARIPO (BW, GH, GM, KE, LS, MW, MZ, NA, SD, SL, SZ, TZ, UG, ZM, ZW), Eurasian (AM, AZ, BY, KG, KZ, MD, RU, TJ, TM), European (AT, BE, BG, CH, CY, CZ, DE, DK, EE, ES, FI, FR, GB, GR, HU, IE, IT, LU, MC, NL, PL, PT, RO, SE, SI, SK, TR), OAPI (BF, BJ, CF, CG, CI, CM, GA, GN, GQ, GW, ML, MR, NE, SN, TD, TG).

Published:

- with international search report
- before the expiration of the time limit for amending the claims and to be republished in the event of receipt of amendments

[Continued on next page]

(54) Title: SHUT DOWN APPARATUS AND METHOD FOR USE WITH ELECTRO-PNEUMATIC CONTROLLERS



(57) Abstract: A shut down unit for use with an electro-pneumatic controller includes an electronic switch configured to receive to a first signal from a control unit of the electro-pneumatic controller and to convey the first signal to an electro-pneumatic transducer of the electro-pneumatic controller. The electronic switch is further configured to receive a second signal associated with a control signal input and to cause the electronic switch to prevent the conveyance of the first signal to the electro-pneumatic transducer.

WO 2005/057301 A1



For two-letter codes and other abbreviations, refer to the "Guidance Notes on Codes and Abbreviations" appearing at the beginning of each regular issue of the PCT Gazette.

SHUT DOWN APPARATUS AND METHOD FOR USE WITH ELECTRO-PNEUMATIC CONTROLLERS

FIELD OF THE DISCLOSURE

[0001] The present disclosure relates generally to electro-pneumatic controllers and, more specifically, to a shut down apparatus and method that may be used with electro-pneumatic controllers.

BACKGROUND

[0002] Process control plants or systems typically include numerous valves, pumps, dampers, boilers, as well many other types of well-known process control devices or operators. In modern process control systems most, if not all, of the process control devices or operators are instrumented with electronic monitoring (e.g., temperature sensors, pressure sensors, position sensors, etc.) and electronic control devices (e.g., programmable controllers, analog control circuits, etc.) to coordinate the activities of the process control devices or operators to carry out one or more process control routines.

[0003] For purposes of safety, cost efficiency and reliability, many process control devices are pneumatically actuated using well-known diaphragm type or piston type pneumatic actuators. Typically, pneumatic actuators are coupled to process control devices either directly or via one or more mechanical linkages. Additionally, the pneumatic actuators are typically coupled to the overall process control system via an electro-pneumatic controller. Electro-pneumatic controllers are usually configured to receive one or more control signals (e.g., 4-20 milliamps (mA), 0-10 volts direct current (VDC), digital commands, etc.) and to convert these control signals into a pressure provided to the pneumatic actuator to cause a desired operation of the

process control device. For example, if a process control routine requires a pneumatically actuated, normally closed stroke-type valve to pass a greater volume of a process fluid, the magnitude of the control signal applied to an electro-pneumatic controller associated with the valve may be increased (e.g., from 10 mA to 15 mA in the case where the electro-pneumatic controller is configured to receive a 4-20 mA control signal). In turn, the output pressure provided by the electro-pneumatic controller to the pneumatic actuator coupled to the valve at least partially increases to stroke the valve toward a full open condition.

[0004] In some industrial process control systems such as, for example, oil and gas processing systems, safety is critically important. The leaking or other uncontrolled discharge of potentially toxic or flammable chemicals, gasses and the like presents significant risks for plant personnel and equipment. As a result, many industrial installations utilize safety shutdown systems in addition to the process control systems. These safety systems usually include valves and other control devices that have been configured to provide a shut down mode of operation (e.g., in an emergency situation) in which the process is forced to a known safe control condition. For example, emergency shut down valves, emergency blow down valves, emergency venting valves, emergency isolation valves, critical on/off valves, etc. may be used to provide a desired level of safety within industrial process control plants.

[0005] The electro-pneumatic controllers used with many modern pneumatically actuated process control devices are often implemented using relatively complex digital control circuits. For instance, these digital control circuits may be implemented using a microcontroller, or any other type of processor, that executes machine readable instructions, code, firmware, software, etc. to control the operation of the process control device with which it is associated.

[0006] Reliance on proper execution of the software and operation of the associated complex digital circuitry to execute safety-related shut down operations is undesirable because safety certification of such software and digital circuitry is relatively expensive and time consuming. Additionally, due to the inherent complexity of software/processor controlled safety operations, the expected failure rate of a process control or safety shutdown device that uses such safety operations may be unacceptably high for many applications.

[0007] To provide a suitably reliable shut down operation when using pneumatically actuated process control or safety shutdown devices, some control equipment manufacturers recommend using a redundant instrument such as, for example, a solenoid actuated venting valve connected to the pressure output of the electro-pneumatic controller (i.e., the input of the pneumatic actuator coupled to the process control device). In this manner, when a shutdown of the process control or emergency shutdown device is needed, a shut down signal may be applied (e.g., via the application or removal of power) to the solenoid of the venting valve, thereby venting the pneumatic actuator to atmosphere causing the actuator to drive the emergency shutdown device to a known safe condition (e.g., a zero stroke condition in which the valve is fully closed, fully open, etc.) While the use of redundant safety or failsafe instrumentation such as the above-described venting valve can provide a suitably reliable shut down, the costs associated with such solenoid actuated valves and the costs incurred in field installing (e.g., mounting, wiring, etc.) are relatively high.

[0008] Additionally or alternatively, some electro-pneumatic controllers are configured to provide a shut down or failsafe mode of operation in response to a removal of power. This is a relatively reliable approach because the software and

complex digital circuitry cannot malfunction to prevent the removal of power to the electro-pneumatic devices within the electro-pneumatic controller. However, reliance on a removal of power to the electro-pneumatic controller to carry out a shut down or failsafe operation may be disadvantageous because once power is removed the electro-pneumatic controller is typically unable to communicate with and to provide operational or other status or control feedback information to the overall process control or emergency shutdown system.

BRIEF DESCRIPTION OF THE DRAWINGS

[0009] FIG. 1 is a block diagram of an example electro-pneumatic control system.

[0010] FIG. 2 is a detailed block diagram of an example of an electro-pneumatic controller having an integral shut down apparatus that may be used with the system of FIG. 1.

[0011] FIGS. 3 and 4 are schematic representations of example circuits that may be used to implement the shut down unit and shut down selector of FIG. 2.

[0012] FIG. 5 is an example processor system that may be used to implement the control unit of FIG. 2.

SUMMARY

[0013] In one example embodiment, a shut down unit for use with an electro-pneumatic controller includes an electronic switch configured to receive a first signal from a control unit of the electro-pneumatic controller and to convey the first signal to an electro-pneumatic transducer of the electro-pneumatic controller. Additionally, the electronic switch is further configured to receive a second signal associated with a control signal input and to cause the electronic switch to prevent the conveyance of the first signal to the electro-pneumatic transducer.

[0014] In another example embodiment, an electro-pneumatic controller includes an electro-pneumatic transducer and a shut down unit operatively coupled to the electro-pneumatic transducer. The shut down unit may be configured to respond to a signal received by the electro-pneumatic controller and to cause the electro-pneumatic transducer to provide a pressure output associated with a shut-down condition when the magnitude of the signal crosses a threshold value.

DETAILED DESCRIPTION

[0015] The example electro-pneumatic controller shut down apparatus and method described herein provide a field selectable (e.g., enable/disable) shut down unit that automatically causes the output pressure of the electro-pneumatic controller to go to a fail-safe or known safe pressure (e.g., zero pounds per square inch). More specifically, in response to detecting that a control signal (e.g., a set-point signal) provided to the electro-pneumatic controller has exceeded or fallen below a predetermined threshold, the shut down unit may remove or augment an input signal to an electro-pneumatic transducer within the electro-pneumatic controller to cause the output pressure of the electro-pneumatic controller to change, which causes the actuator and the process control or emergency shutdown device (e.g., a valve) coupled to the actuator, to go to a desired shut-down, failsafe, or known safe condition.

[0016] In the examples described herein, the electro-pneumatic controller includes a shut down selector that enables the operation of the shut down unit to be enabled or disabled prior to, during or after field installation of the electro-pneumatic controller. In addition, as described in greater detail below, in the case where the shut down unit is enabled to cause a shut down of the electro-pneumatic controller, the shut down unit does not disable the communication functions of the electro-pneumatic controller.

As a result, in contrast to some known devices that require a complete removal of power and, thus, a loss of communication capability, the overall process control or emergency shutdown system can communicate with the example electro-pneumatic controller to confirm that a shut down operation has been successfully completed in response to a shut down command.

[0017] Further, the example shut down apparatus and method described herein do not interfere or augment the normal operating functions of the electro-pneumatic controller. For instance, diagnostic activities such as, for example, partial stroke testing of process devices used in safety-related applications are not affected by an enabled shut down unit that has not detected a control signal level requiring a shut down operation. Still further, the example shut down apparatus and method described herein operate independently from the control unit within the electro-pneumatic controller and, thus, eliminate the need to certify the operations or to consider the complex failure mechanisms that are often associated with the control unit electronics. Additionally, the example shut down unit and shut down selector associated with the example shut down apparatus and method described herein are integrated within the electro-pneumatic controller, thereby eliminating the additional costs that are typically associated with having to field install solenoid actuated exhaust valves and the like as described above.

[0018] Now turning to FIG. 1, a block diagram of a known example electro-pneumatic control system 100 is shown. The electro-pneumatic control system 100 may be part of a process control or emergency shutdown system (not shown) that implements an industrial processing application, a commercial application, or any other desired application. For example, the system 100 may be part of an industrial process control or emergency shutdown system that processes oil, gas, chemicals or

the like. As shown in FIG. 1, the system 100 includes an electro-pneumatic controller 102 that receives power and control signals via connections or terminations 104. In general, the electro-pneumatic controller 102 receives one or more control signals such as, for example, a 4-20 mA signal, a 0-10 VDC signal, and/or digital commands, etc. The control signals may be used by the electro-pneumatic controller 102 as a set point to control its output pressure and/or the operation condition (e.g., the position) of a process control or emergency shutdown device 106 (which is depicted by way of example to be a valve).

[0019] In some examples, power and control signals may share one or more lines or wires coupled to the terminations 104. For instance, in the case where the control signal is a 4-20 mA signal, the 4-20 mA control signal may also provide power to the electro-pneumatic controller 102. In other examples, the control signal may, for example, be a 0-10 VDC signal and separate power wires or lines (e.g., 24 VDC or 24 volts alternating current (VAC)) may be provided to the electro-pneumatic controller 102. In still other cases, the power and/or control signals may share wires or line with digital data signals. For example, in the case where the control signal is a 4-20 mA signal, a digital data communication protocol such as, for example, the well-known Highway Addressable Remote Transducer (HART) protocol may be used to communicate with the electro-pneumatic controller 102. Such digital communications may be used by the overall process control or emergency shutdown system to which the system 100 is coupled to retrieve identification information, operation status information and the like from the electro-pneumatic controller 102. Alternatively or additionally, the digital communications may be used to control or command the electro-pneumatic transducer 102 to perform one or more control functions.

[0020] The terminations 104 may be screw terminals, insulation displacement connectors, pigtail connections, or any other type or combination of suitable electrical connections. Of course, the terminations 104 may be replaced or supplemented with one or more wireless communication links. For example, the electro-pneumatic controller 102 may include one or more wireless transceiver units (not shown) to enable the electro-pneumatic controller 102 to exchange control information (set-point(s), operational status information, etc.) with the overall process control or emergency shutdown system. In the case where one or more wireless transceivers are used by the electro-pneumatic transducer 102, power may be supplied to the electro-pneumatic transducer via, for example, wires to a local or remote power supply.

[0021] As is depicted in the example system 100 of FIG. 1, the output pressure of the electro-pneumatic controller 102 is provided to a pneumatic actuator 108 coupled to the process control operator or device 106. Although the process control operator or device 106 is depicted as being a valve, other devices or operators could be used instead (e.g., a damper). The pneumatic actuator 108 may be directly coupled to the device 106 or, alternatively, may be coupled to the device 106 via linkages or the like. For example, in the case where the process control device 106 is a stroke type valve, an output shaft of the pneumatic actuator 108 may be directly coupled to a control shaft of the device 106.

[0022] Under normal operating conditions, a position detector or sensor 110 may be used to provide a position feedback signal 112 to the electro-pneumatic controller 102. If provided, the position feedback signal 112 may be used by the electro-pneumatic controller 102 to vary its output pressure to precisely control the position of the process control or emergency shutdown device 106 (e.g., the percentage a valve is open/closed). The position sensor 110 may be implemented using any suitable

sensor such as, for example, a hall-effect sensor, a linear voltage displacement transformer, a potentiometer, etc.

[0023] As is also shown in the example system 100 of FIG. 1, a shut down or exhaust valve 114 interposes between the output pressure provided by the electro-pneumatic controller 102 and the actuator 108 and, in response to a shut down signal 116, vents the actuator 108 via an exhaust port 118 to atmosphere to cause the actuator 108 to stroke the process control device 106 to a known safe condition. As is known, the exhaust valve 110 may be implemented using a solenoid actuated three-way valve that receives a 24 VDC or 24 VAC shut down signal 112. However, as noted above, the additional costs associated with field installing the exhaust valve 114 may be objectionable in many applications.

[0024] Those of ordinary skill in the art will also recognize that while the electro-pneumatic controller 102 shown in FIG. 1 is depicted as having a single output pressure for use with a single-acting type actuator (e.g., the actuator 108), a pneumatic controller having two pressure outputs for use in a dual-acting application could be used as well. For example, one commercially available dual acting electro-pneumatic controller is the DVC6000 series digital valve controller manufactured by Fisher Controls International, Inc. of Marshalltown, Iowa.

[0025] FIG. 2 is a detailed block diagram of an example of an electro-pneumatic controller 200 having an integral shut down apparatus that may be used with the system 100 of FIG. 1 (e.g., in place of the electro-pneumatic controller 102). The example electro-pneumatic controller 200 includes a control unit 202, an electro-pneumatic transducer 204 and a pneumatic relay 206, all of which are generally well-known structures. However, in contrast to known electro-pneumatic controllers 200, the electro-pneumatic controller 200 includes a shut down unit 208 that interposes

between the control unit 202 and the electro-pneumatic transducer 204 and further includes a shut down selector 210.

[0026] In general, the control unit 202 receives one or more control signals (e.g., a 4-20 mA control signal) from the overall process control or emergency shutdown system to which it is communicatively coupled and provides a control signal 212 to the electro-pneumatic transducer 204 to achieve a desired output pressure and/or a desired control position of the process control device (e.g., the device 106 of FIG. 1) to which it is operatively coupled. The control unit 202 may be implemented using a processor-based system (e.g., the system 500 described below in connection with FIG. 5), discrete digital logic circuits, application specific integrated circuits, analog circuitry, or any combination thereof. In a case where a processor-based system is used to implement the control unit 202, the control unit 202 may execute machine readable instructions, firmware, software, etc. stored on a memory (not shown) within the control unit to perform its control functions.

[0027] The electro-pneumatic transducer 204 may be a current-to-pressure type of transducer, in which case the control signal 212 is a current that is varied by the control unit 202 to achieve a desired condition (e.g., position) at the process control device 106 (FIG. 1). Alternatively, the electro-pneumatic transducer 204 may be a voltage-to-pressure type of transducer, in which case the control signal 212 is a voltage that varies to control the process control device 106 (FIG. 1). The pneumatic relay 206 converts a relatively low output capacity (i.e., low flow rate) pressure output 214 into a relatively high capacity output pressure for controlling an actuator (e.g., the actuator 108 of FIG. 1). As depicted in FIG. 2, the electro-pneumatic transducer 204 may receive an output pressure feedback signal 216 to provide a more accurate closed-loop control over the output pressure of the electro-pneumatic controller 200.

[0028] The shut down unit 208 interposes between the control signal 212 and the electro-pneumatic transducer 204 and receives a signal 218 that is at least representative of the control signal input (e.g., the 4-20 mA control or set-point signal input) to the electro-pneumatic controller 200. As described in greater detail below in connection with FIGS. 3 and 4, the shut down selector 210 is operatively coupled to the shut down unit 208 to permit the selective enablement/disablement of the shut down unit 208.

[0029] In a case where the shut down selector 210 has been set to disable the shut down unit 208, the control unit 202 receives a set-point or control signal(s) from the process control system to which it is communicatively coupled and outputs the control signal 212 to vary the output pressure 214 of the electro-pneumatic transducer 204 to achieve a desired condition (e.g., a percentage open/closed) at the process control device 106 (FIG. 1). In this case, the shut down unit 208 is completely transparent to the operation of the electro-pneumatic controller 200 and, thus, does not affect the operation of the electro-pneumatic controller 200, regardless of the magnitude of the control signal(s) input to the electro-pneumatic controller 200.

[0030] In a case where the shut down selector 210 has been set to enable the operation of the shut down unit 208, the electro-pneumatic controller 200 may vary its output pressure based on the changes in the magnitude of the control signal(s) it receives when the control signal magnitude is above or below a predetermined threshold value. In other words, the electro-pneumatic controller 200 may operate in the usual manner (i.e., vary its output pressure (e.g., in a proportional manner) in accordance with changes in the control signal(s) it receives. However, when the control signal received by the electro-pneumatic controller 200 crosses the predetermined threshold (e.g., falls below the predetermined threshold value), the shut

down unit 208 may interrupt or otherwise prevent the control unit signal 212 from reaching the electro-pneumatic transducer 204. For example the shut down unit 208 may open a circuit path, short a circuit path, apply a predetermined shut down voltage or current, etc. to the electro-pneumatic transducer 204 to cause the electro-pneumatic transducer 204 to drive the pressure 214 and, thus, the output pressure of the controller 200 via the relay 206, to a shut down pressure (e.g., substantially zero pounds per square inch gauge).

[0031] In one particularly useful application, the shut down selector 210 is set to enable the shut down unit 208 and the electro-pneumatic controller 200 is used to control a process control device (e.g., the device 106 of FIG. 1) for use as an emergency shut down device. In particular, in the case where the process control device 106 is an emergency isolation valve and the electro-pneumatic controller 200 is configured to receive a 4-20 mA control signal, under non-emergency conditions a 20 mA signal may be continuously applied to the controller 200 to maintain the valve in a full open condition. The predetermined threshold used by the shut down unit 208 may be set at about 12 mA so that, upon detection of an emergency condition, the process control system (not shown) may reduce the control signal to well below 12 mA (e.g., to 4 mA), thereby causing the shut down unit 208 to prevent the signal 212 from reaching the electro-pneumatic transducer 204. As a result, the output pressure of the electro-pneumatic transducer 204 may be reduce to substantially near zero and, thus, the output pressure of the controller 200 may also be reduced to substantially near zero to close the valve 106.

[0032] Above the predetermined threshold (e.g., above 12 mA), when the shut down unit 208 is enabled, the electro-pneumatic transducer 200 is responsive to changes in the control signal so that the output pressure varies in proportion to the change in the

control signal. As a result, well-known live reliability tests such as, for example, partial stroke tests can be performed to determine that the controller 200 and the process control device to which it is coupled (e.g., the device 106 of FIG. 1) is operational. In addition, because the shut down unit 208 enables the electro-pneumatic controller 200 to perform a shut down operation without having to remove its source of power (as is the case with many known electro-pneumatic controllers), the control unit 202 may communicate the status (e.g., a successful shut down) of the process device coupled to the controller 200 to the overall process control system. Still further, the integral shut down unit 208 eliminates the costs associated with field mounting an additional safety device (e.g., a solenoid actuated venting valve) to vent the process control device coupled to the controller 200 in response to an emergency condition.

[0033] FIGS. 3 and 4 are schematic representations of example circuits 300 and 400 that may be used to implement the shut down unit 208 and shut down selector 210 of FIG. 2. As shown, the circuits 300 and 400 may include a comparator 302, the shut down selector 210, a resistor 304 and an electronic switch 306. The electronic switch 306 is depicted as being a metal oxide semiconductor field effect transistor (MOSFET). However, any other suitable switching device such as, for example, a bipolar junction transistor (BJT), a field effect transistor (FET), an insulated gate bipolar junction transistor (IGBT), an electromechanical relay, or any other suitable switching mechanism could be used instead. Likewise, although the shut down selector 210 is depicted as being a single pole single throw switch, other devices such as, for example, one or more removable wires, jumpers or circuit traces, a header and jumper combination, etc. could be used instead. As can be seen in FIG. 3, a closed condition (e.g., a closed circuit condition) of the shut down selector 210 enables the

circuit 300 for shut down operation. In FIG. 4, an open condition of the shut down selector 210 enables the circuit 400 for shut down operation.

[0034] As depicted in the example circuits 300 and 400, the non-inverting input of the comparator 302 is coupled to a reference voltage (V_{ref}) and the inverting input is coupled to a voltage ($V_{control}$) representative of the control signal provided to the controller 200 via the process control system. The reference voltage V_{ref} is preferably selected so that it corresponds to a desired threshold value of the control signal (e.g., 12 mA as described above in connection with the example of FIG. 2). Thus, in a case where the controller 200 (FIG. 2) is used in an emergency shut down application, the control signal and, thus, $V_{control}$, is normally at its highest (or lowest) value. For example, the control signal may be held at 20 mA, in which case $V_{control}$ will be held at its maximum value, which is greater than V_{ref} . As a result, under non-emergency conditions (with $V_{control}$ at its maximum value), the output of the comparator 302 is at a logical low condition (e.g., substantially near to or equal to its lower supply voltage, which may be a ground reference). A logical low output by the comparator 302 drives the switch 306 to a conducting condition in which the signal 212 from the control unit 202 is passed to the electro-pneumatic transducer 204.

[0035] In an emergency condition, the process control system may reduce the control signal applied to the electro-pneumatic controller 200 to a low or its lowest possible value (e.g., 4 mA), which causes the voltage $V_{control}$ to fall below the reference voltage V_{ref} . As a result, the output of the comparator 302 transitions to a logical high output (e.g., its highest output voltage) to turn off the electronic switch 306, thereby preventing the signal 212 from being applied to the electro-pneumatic transducer 204.

[0036] As is depicted in the examples of FIGS. 3 and 4, the shut down selector 210 may be used in series connection (FIG. 3) with a switching control terminal (e.g., a gate) of the electronic switch 306, may be placed across two terminals (FIG. 4), or in any other suitable configuration to provide the ability to enable/disable the operation of the shut down unit 208.

[0037] FIG. 5 is an example processor system 500 that may be used to implement the control unit 202 of FIG. 2. As shown in Fig. 5, the processor system 500 includes a processor 512 that is coupled to an interconnection bus or network 514. The processor 512 may be any suitable processor, processing unit or microprocessor such as, for example, a processor from the Intel Itanium[®] family, Intel X-Scale[®] family, the Intel Pentium[®] family, etc. Although not shown in Fig. 5, the system 500 may be a multi-processor system and, thus, may include one or more additional processors that are identical or similar to the processor 512 and which are coupled to the interconnection bus or network 514.

[0038] The processor 512 of Fig. 5 is coupled to a chipset 518, which includes a memory controller 520 and an input/output (I/O) controller 522. As is well known, a chipset typically provides I/O and memory management functions as well as a plurality of general purpose and/or special purpose registers, timers, etc. that are accessible or used by one or more processors coupled to the chipset. The memory controller 520 performs functions that enable the processor 512 (or processors if there are multiple processors) to access a system memory 524, which may include any desired type of volatile memory such as, for example, static random access memory (SRAM), dynamic random access memory (DRAM), etc. The I/O controller 522 performs functions that enable the processor 512 to communicate with peripheral input/output (I/O) devices 526 and 528 via an I/O bus 530. The I/O devices 526 and

528 may be any desired type of I/O device such as, for example, a keyboard or keypad, a video display or monitor, etc. While the memory controller 520 and the I/O controller 522 are depicted in Fig. 5 as separate functional blocks within the chipset 128, the functions performed by these blocks may be integrated within a single semiconductor circuit or may be implemented using two or more separate integrated circuits.

[0039] Although certain methods and apparatus have been described herein, the scope of coverage of this patent is not limited thereto. To the contrary, this patent covers all embodiments fairly falling within the scope of the appended claims either literally or under the doctrine of equivalents.

What is claimed is:

1. A shut down unit for use with an electro-pneumatic controller, comprising:
an electronic switch configured to receive a first signal from a control unit of the electro-pneumatic controller and to convey the first signal to an electro-pneumatic transducer of the electro-pneumatic controller, wherein the electronic switch is further configured to receive a second signal associated with a control signal input and to cause the electronic switch to prevent the conveyance of the first signal to the electro-pneumatic transducer.
2. A shut down unit as defined in claim 1, wherein the electronic switch includes one of a transistor and a relay.
3. A shut down unit as defined in claim 2, wherein the transistor includes a gate terminal that is responsive to the second signal.
4. A shut down unit as defined in claim 1, further comprising a comparator configured to compare the second signal to a reference voltage and to prevent the conveyance of the first signal to the electro-pneumatic transducer based on the comparison.

5. An electro-pneumatic controller, comprising:
an electro-pneumatic transducer; and
a shut down unit operatively coupled to the electro-pneumatic transducer and configured to respond to a signal received by the electro-pneumatic controller and to cause the electro-pneumatic transducer to provide a pressure output associated with a shut-down condition when the magnitude of the signal crosses a threshold value.
6. An electro-pneumatic controller as defined in claim 5, wherein the shut down unit includes a comparator configured to compare the signal received by the electro-pneumatic controller to the threshold value and based on the comparison vary a condition of the shut down unit to cause the electro-pneumatic transducer to provide the pressure output associated with the shut-down condition.
7. An electro-pneumatic controller as defined in claim 5, wherein the shut down unit includes a switch configured to respond to the signal provided to the electro-pneumatic controller to cause the electro-pneumatic controller to provide the output pressure associated with the shut-down condition.
8. An electro-pneumatic controller as defined in claim 7, wherein the switch includes one of a transistor and a relay.
9. An electro-pneumatic controller as defined in claim 5, further comprising a selector configured to selectively enable the operation of the shut down unit.
10. An electro-pneumatic controller as defined in claim 9, wherein the selector includes a manually actuated switch.

11. An electro-pneumatic controller, comprising:
a control unit;
a shut down unit communicatively coupled to the control unit; and
an electro-pneumatic transducer communicatively coupled to the shut down unit, wherein the shut down unit is configured to cause an output pressure of the electro-pneumatic transducer to be at a pressure associated with a shut-down condition in response to a value of a control signal received by the electro-pneumatic controller.
12. An electro-pneumatic controller as defined in claim 11, wherein the shut down unit includes a comparator and an electronic switch operatively coupled to the comparator.
13. An electro-pneumatic controller as defined in claim 12, wherein the electronic switch includes one of a transistor and a relay.
14. An electro-pneumatic controller as defined in claim 11, further comprising a shut down selector operatively coupled to the shut down unit and configured to selectively enable the operation of the shut down unit.

15. A method of shutting down a pneumatically actuated device, comprising:
- comparing a control signal received by an electro-pneumatic controller to a predetermined value;
 - interrupting a signal provided by a control unit of the electro-pneumatic controller to an electro-pneumatic transducer;
 - changing an output pressure provided by the electro-pneumatic controller in response to interruption of the signal to cause the shut down of the pneumatically actuated device.
16. A method as defined in claim 15, wherein interrupting the signal provided by the control unit to the electro-pneumatic transducer includes opening an electrical path between the control unit and the electro-pneumatic transducer.
17. A method as defined in claim 15, wherein interrupting the signal provided by the control unit to the electro-pneumatic transducer includes interrupting the signal only if a shut down selector has been set to an enabling condition.
18. A method as defined in claim 15, wherein changing the output pressure provided by the electro-pneumatic controller includes reducing the output pressure to a substantially zero pressure.
19. A method as defined in claim 15, wherein the pneumatically actuated device includes one of a valve and a damper.

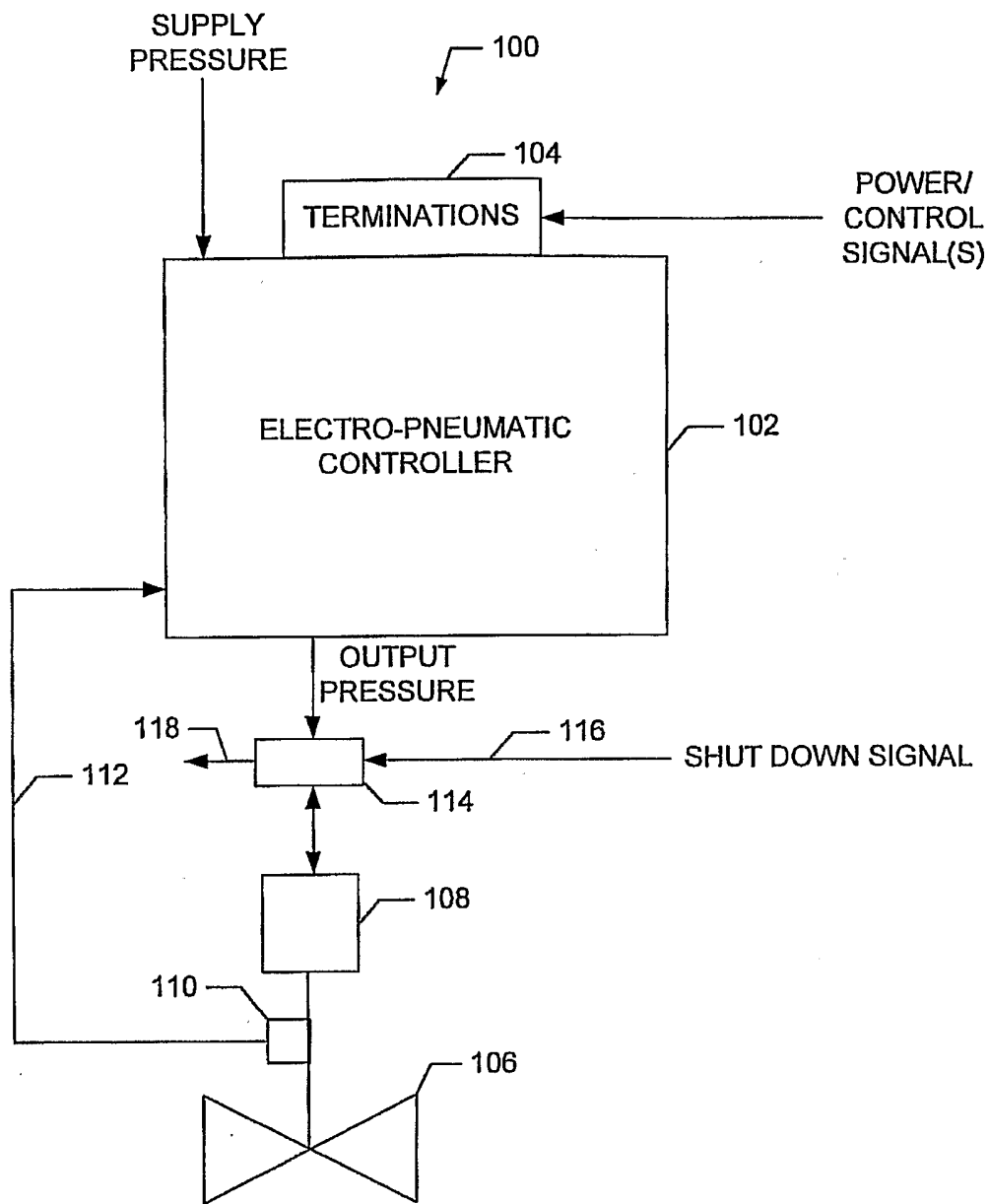


FIG. 1 (PRIOR ART)

2/4

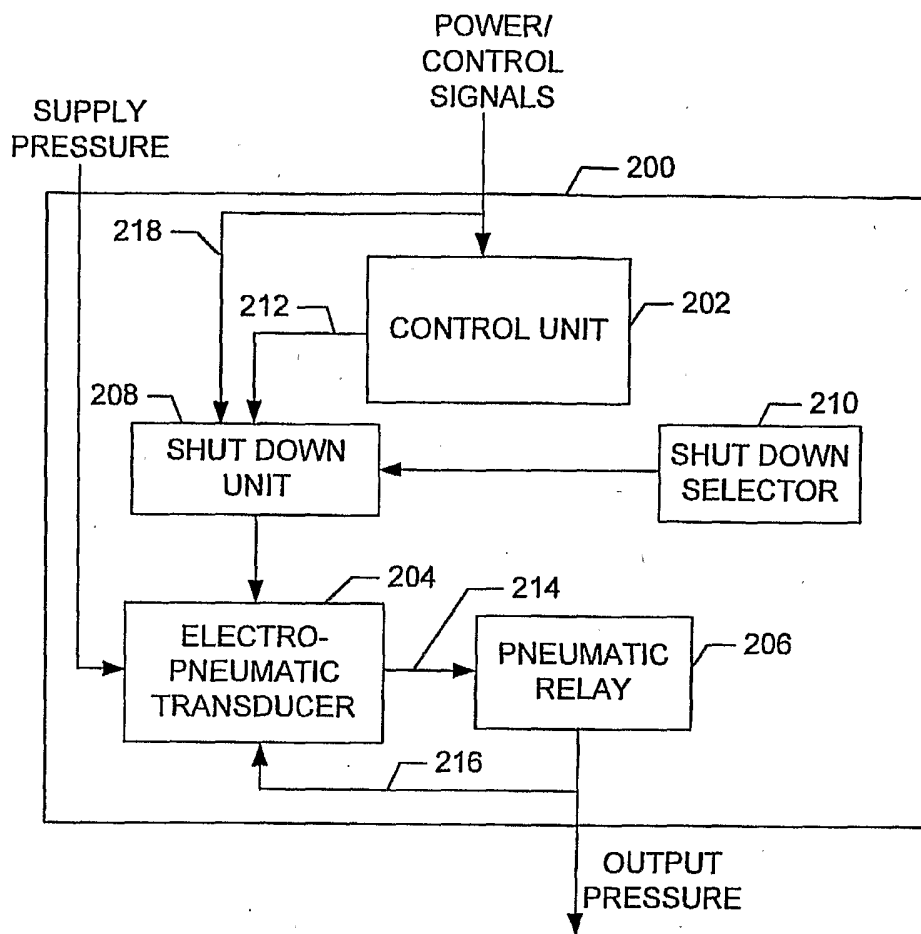


FIG. 2

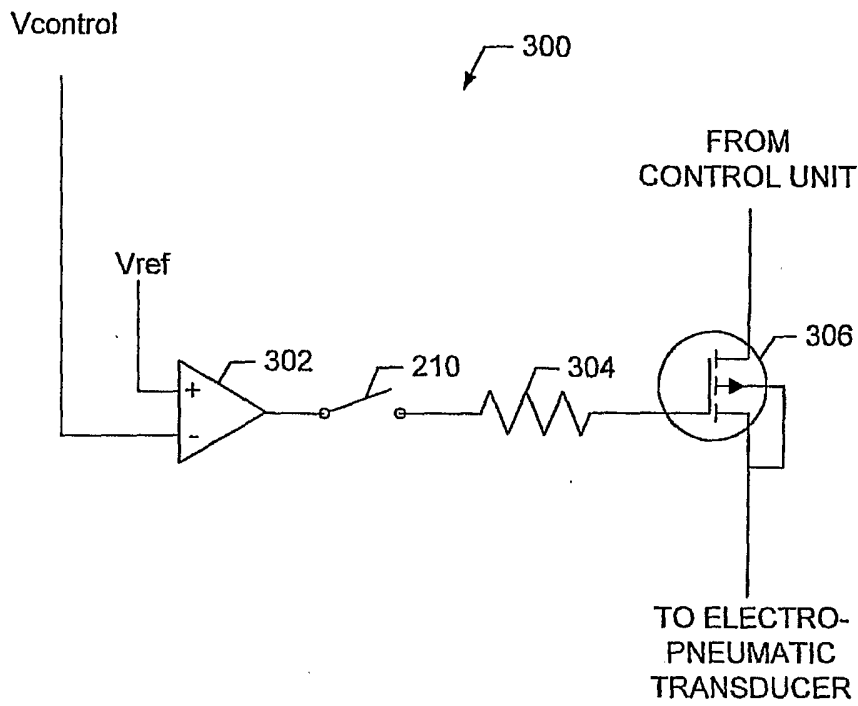


FIG. 3

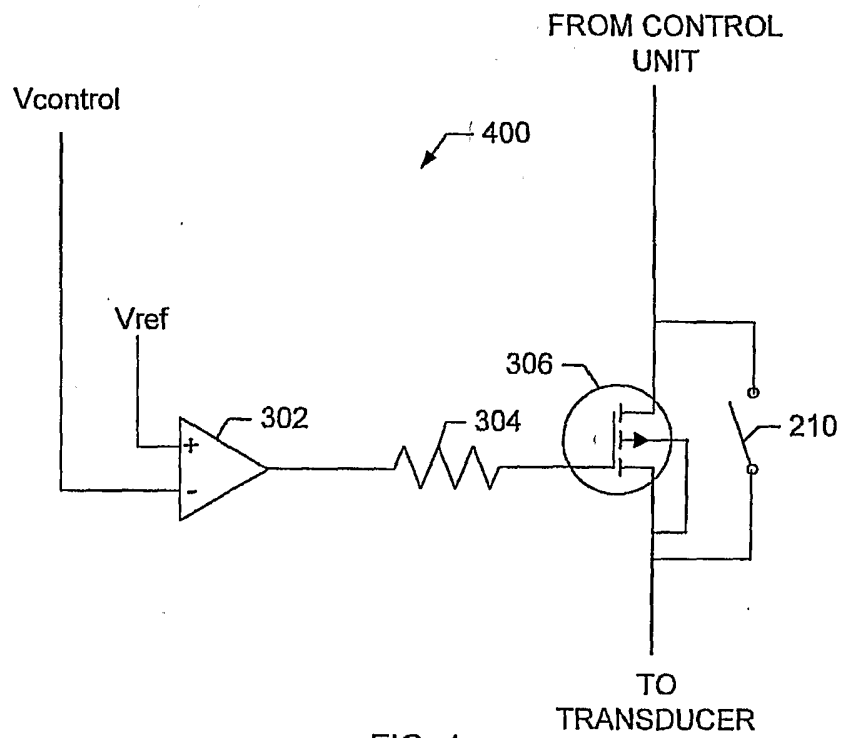


FIG. 4

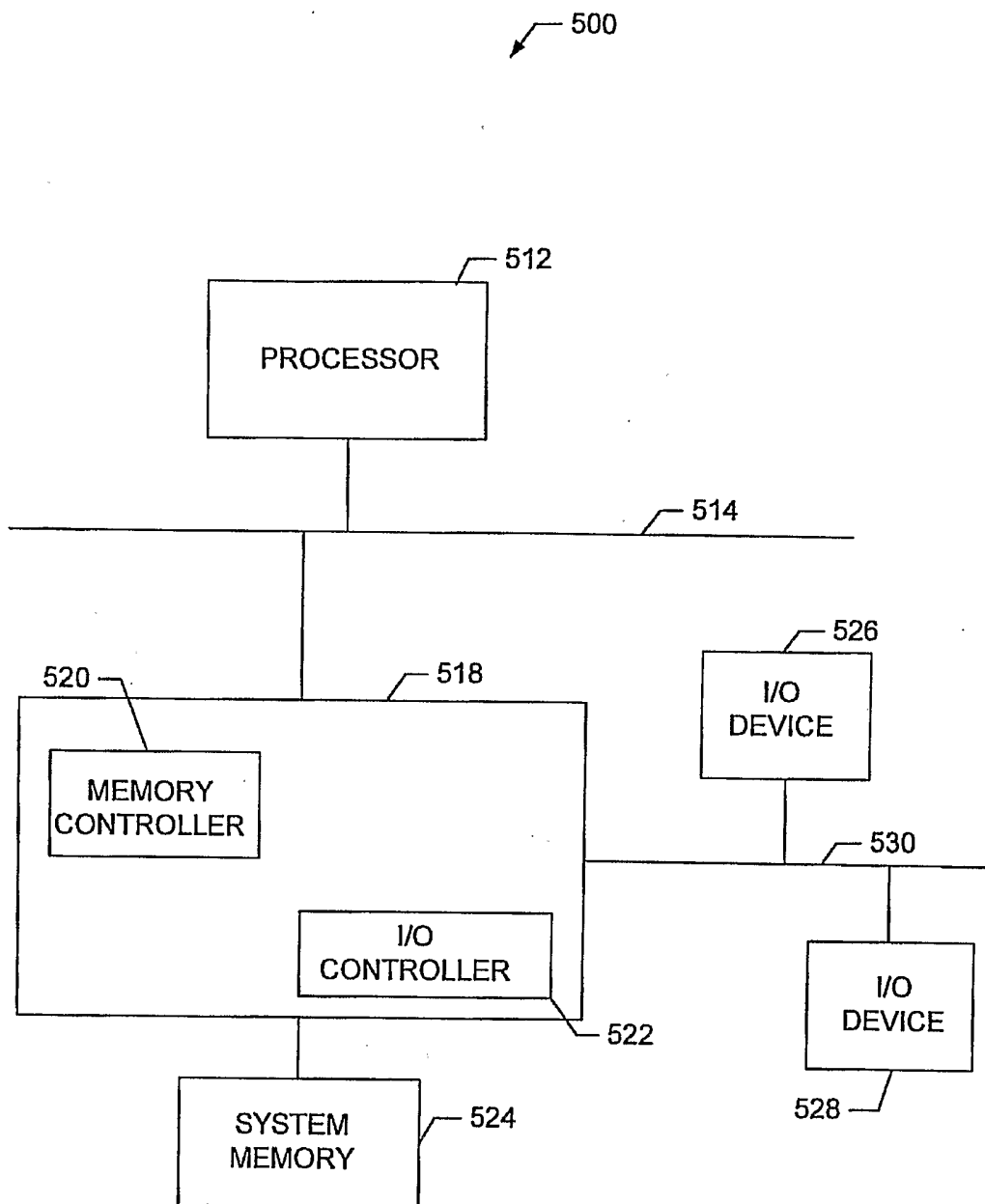


FIG. 5

INTERNATIONAL SEARCH REPORT

US2004/034758

A. CLASSIFICATION OF SUBJECT MATTER
IPC 7 G05B9/02

According to International Patent Classification (IPC) or to both national classification and IPC

B. FIELDS SEARCHED

Minimum documentation searched (classification system followed by classification symbols)
IPC 7 G05B

Documentation searched other than minimum documentation to the extent that such documents are included in the fields searched

Electronic data base consulted during the international search (name of data base and, where practical, search terms used)

EPO-Internal, WPI Data, PAJ

C. DOCUMENTS CONSIDERED TO BE RELEVANT

Category *	Citation of document, with indication, where appropriate, of the relevant passages	Relevant to claim No.
X	US 5 651 385 A (KARTE ET AL) 29 July 1997 (1997-07-29) column 2, line 42 - column 4, line 63	1-4
A	EP 0 893 749 A (ANSALDO SISTEMI INDUSTRIALI S.P.A) 27 January 1999 (1999-01-27) column 3, line 8 - column 7, line 52; figures 3,5	1-4
A	FR 2 619 262 A (CROUZET SA) 10 February 1989 (1989-02-10) page 5, line 20 - line 25; figures 1-3	1-4
A	EP 0 895 124 A (NORITSU KOKI CO., LTD) 3 February 1999 (1999-02-03) abstract; figures 4,5	

Further documents are listed in the continuation of box C.

Patent family members are listed in annex.

* Special categories of cited documents :

- *A* document defining the general state of the art which is not considered to be of particular relevance
- *E* earlier document but published on or after the international filing date
- *L* document which may throw doubts on priority claim(s) or which is cited to establish the publication date of another citation or other special reason (as specified)
- *O* document referring to an oral disclosure, use, exhibition or other means
- *P* document published prior to the international filing date but later than the priority date claimed

- *T* later document published after the international filing date or priority date and not in conflict with the application but cited to understand the principle or theory underlying the invention
- *X* document of particular relevance; the claimed invention cannot be considered novel or cannot be considered to involve an inventive step when the document is taken alone
- *Y* document of particular relevance; the claimed invention cannot be considered to involve an inventive step when the document is combined with one or more other such documents, such combination being obvious to a person skilled in the art.
- *&* document member of the same patent family

Date of the actual completion of the international search

3 March 2005

Date of mailing of the international search report

19. 05. 2005

Name and mailing address of the ISA

European Patent Office, P.B. 5618 Patentlaan 2
NL - 2280 HV Rijswijk
Tel. (+31-70) 340-2040, Tx. 31 651 epo nl,
Fax: (+31-70) 340-3016

Authorized officer

Kuntz, J-M

INTERNATIONAL SEARCH REPORT

PCT/US2004/034758

Box II Observations where certain claims were found unsearchable (Continuation of item 2 of first sheet)

This International Search Report has not been established in respect of certain claims under Article 17(2)(a) for the following reasons:

1. Claims Nos.:
because they relate to subject matter not required to be searched by this Authority, namely:

2. Claims Nos.:
because they relate to parts of the International Application that do not comply with the prescribed requirements to such an extent that no meaningful International Search can be carried out, specifically:

3. Claims Nos.:
because they are dependent claims and are not drafted in accordance with the second and third sentences of Rule 6.4(a).

Box III Observations where unity of invention is lacking (Continuation of item 3 of first sheet)

This International Searching Authority found multiple inventions in this international application, as follows:

see additional sheet

1. As all required additional search fees were timely paid by the applicant, this International Search Report covers all searchable claims.

2. As all searchable claims could be searched without effort justifying an additional fee, this Authority did not invite payment of any additional fee.

3. As only some of the required additional search fees were timely paid by the applicant, this International Search Report covers only those claims for which fees were paid, specifically claims Nos.:

4. No required additional search fees were timely paid by the applicant. Consequently, this International Search Report is restricted to the invention first mentioned in the claims; it is covered by claims Nos.:

see annex

Remark on Protest

- The additional search fees were accompanied by the applicant's protest.
- No protest accompanied the payment of additional search fees.

FURTHER INFORMATION CONTINUED FROM PCT/ISA/ 210

This International Searching Authority found multiple (groups of) inventions in this international application, as follows:

1. claims: 1-4

A shut down unit comprising an electronic switch

2. claims: 5-19

An electro-pneumatic controller

INTERNATIONAL SEARCH REPORT

information on patent family members

US2004/034758

Patent document cited in search report	A	Publication date		Patent family member(s)	Publication date
US 5651385	A	29-07-1997	DE	4429401 A1	15-02-1996
			GB	2292234 A , B	14-02-1996
<hr style="border-top: 1px dashed black;"/>					
EP 0893749	A	27-01-1999	EP	0893749 A1	27-01-1999
			AT	191572 T	15-04-2000
			DE	69701628 D1	11-05-2000
			DE	69701628 T2	01-02-2001
			US	6060868 A	09-05-2000
<hr style="border-top: 1px dashed black;"/>					
FR 2619262	A	10-02-1989	FR	2619262 A1	10-02-1989
<hr style="border-top: 1px dashed black;"/>					
EP 0895124	A	03-02-1999	JP	3543132 B2	14-07-2004
			JP	11052531 A	26-02-1999
			DE	69826585 D1	04-11-2004
			EP	0895124 A1	03-02-1999
			US	5980131 A	09-11-1999
<hr style="border-top: 1px dashed black;"/>					