

[54] AIRPLANE

[56] References Cited

[76] Inventor: **Gerald L. Jonas**, 2217 Pacific Ave., #4, San Francisco, Calif. 94115

U.S. PATENT DOCUMENTS

D. 189,326 11/1960 Thieblot D12/78
D. 245,157 7/1977 Seidel D12/80

[**] Term: **14 Years**

Primary Examiner—Sam Rosen
Attorney, Agent, or Firm—Sheldon R. Meyer

[21] Appl. No.: **929,112**

[57] CLAIM

The ornamental design for an airplane, as shown.

[22] Filed: **Jul. 28, 1978**

DESCRIPTION

[51] Int. Cl. D12-07

[52] U.S. Cl. D12/78

[58] Field of Search D12/71, 78; 244/45 A, 244/45 R, 15

FIG. 1 is a top plan view of the airplane showing my new design;

FIG. 2 is a rear elevation view thereof;

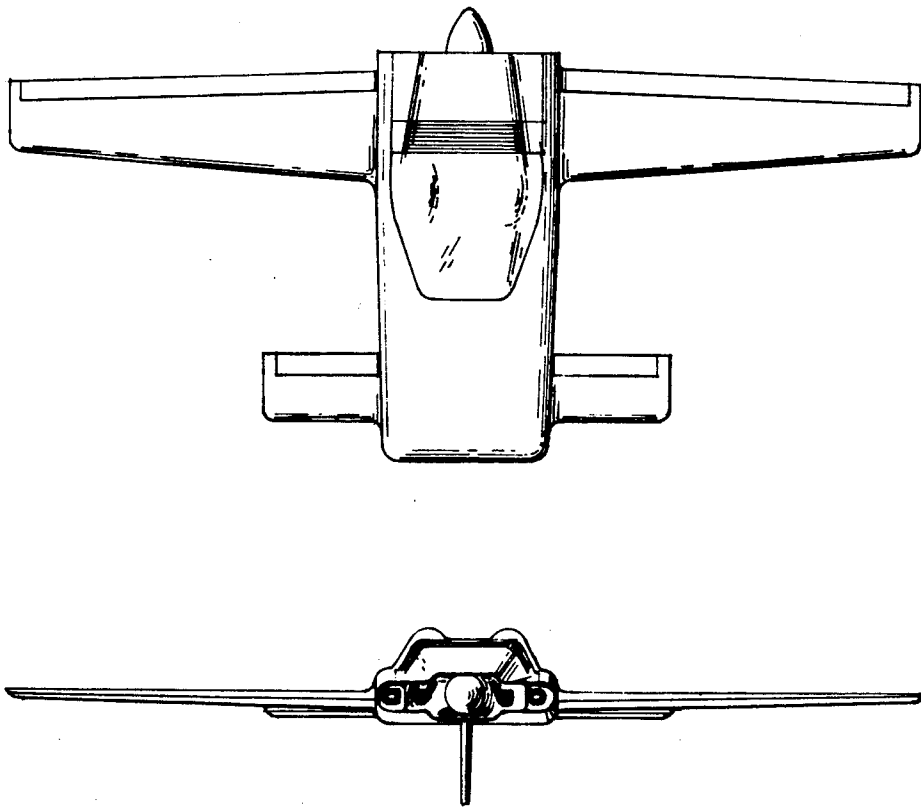
FIG. 3 is a front elevation view thereof;

FIG. 4 is a bottom plan view thereof;

FIG. 5 is a side elevation view taken from the right of

FIG. 6; and

FIG. 6 is a top and right side perspective view thereof.



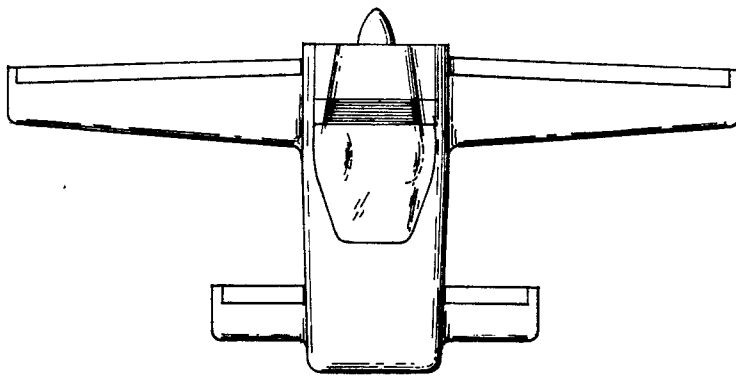


FIG. 1

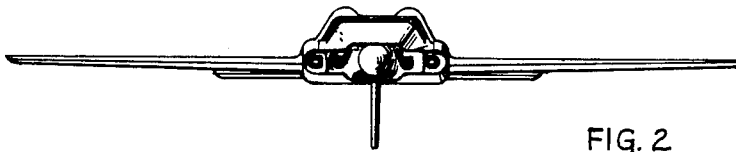


FIG. 2

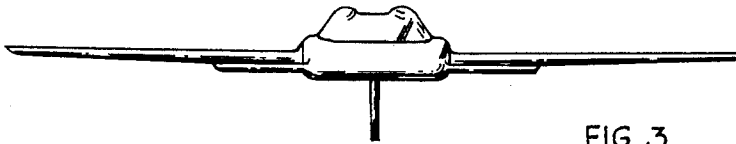


FIG. 3

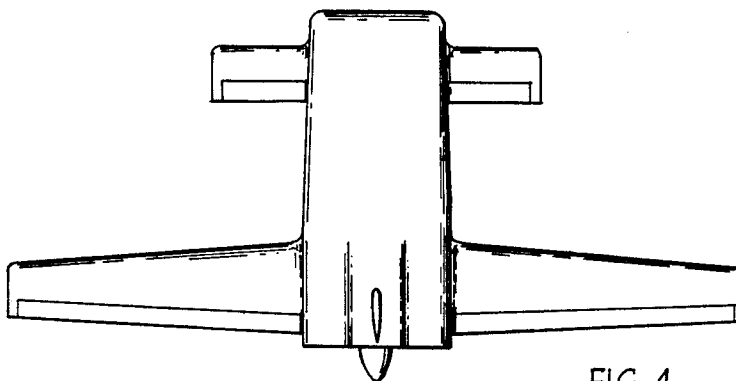


FIG. 4

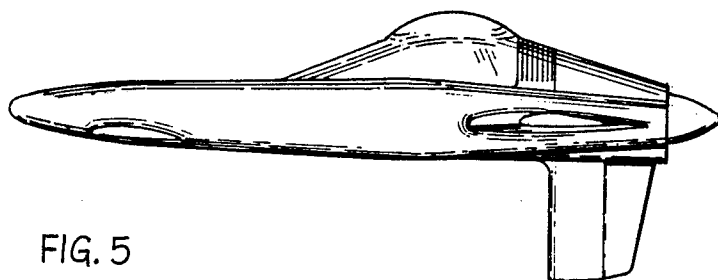


FIG. 5

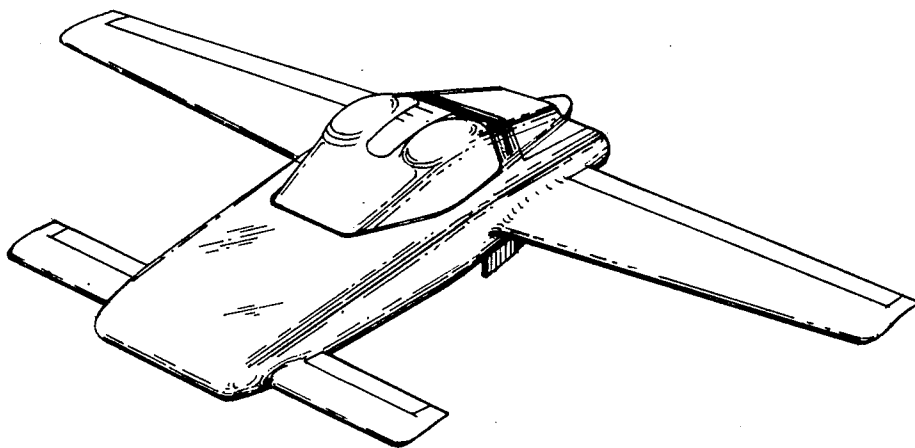


FIG. 6