

(19) World Intellectual Property Organization  
International Bureau



(43) International Publication Date  
21 August 2008 (21.08.2008)

PCT

(10) International Publication Number  
**WO 2008/098936 A3**

(51) International Patent Classification:  
**B67D 1/08** (2006.01)

(21) International Application Number:  
PCT/EP2008/051686

(22) International Filing Date:  
12 February 2008 (12.02.2008)

(25) Filing Language: English

(26) Publication Language: English

(30) Priority Data:  
0702679.2 12 February 2007 (12.02.2007) GB  
0724454.4 14 December 2007 (14.12.2007) GB

(71) Applicant (for all designated States except US): **INBEV S.A.** [BE/BE]; Brouwerijplein 1, B-3000 Leuven (BE).

(72) Inventors; and

(75) Inventors/Applicants (for US only): **WAUTERS, Albert** [BE/BE]; Admiraalhof 24, B-9070 Destelbergen (BE). **MCDERMONT, Iain** [GB/GB]; 7 Moat Lane, Melbourn Hertfordshire SG8 6EH (GB).

(74) Agents: **GEVERS, François** et al.; Gevers & Vander Haeghen, Holidaystraat 5, Holidaystraat 5, B-1831 Diegem (BE).

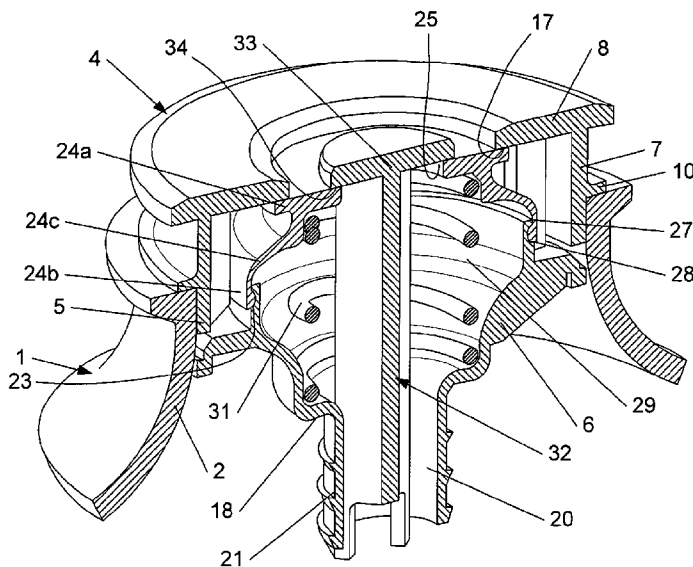
(81) Designated States (unless otherwise indicated, for every kind of national protection available): AE, AG, AL, AM, AO, AT, AU, AZ, BA, BB, BG, BH, BR, BW, BY, BZ, CA, CH, CN, CO, CR, CU, CZ, DE, DK, DM, DO, DZ, EC, EE, EG, ES, FI, GB, GD, GE, GH, GM, GT, HN, HR, HU, ID, IL, IN, IS, JP, KE, KG, KM, KN, KP, KR, KZ, LA, LC, LK, LR, LS, LT, LU, LY, MA, MD, ME, MG, MK, MN, MW, MX, MY, MZ, NA, NG, NI, NO, NZ, OM, PG, PH, PL, PT, RO, RS, RU, SC, SD, SE, SG, SK, SL, SM, SV, SY, TJ, TM, TN, TR, TT, TZ, UA, UG, US, UZ, VC, VN, ZA, ZM, ZW.

(84) Designated States (unless otherwise indicated, for every kind of regional protection available): ARIPO (BW, GH, GM, KE, LS, MW, MZ, NA, SD, SL, SZ, TZ, UG, ZM, ZW), Eurasian (AM, AZ, BY, KG, KZ, MD, RU, TJ, TM), European (AT, BE, BG, CH, CY, CZ, DE, DK, EE, ES, FI, FR, GB, GR, HR, HU, IE, IS, IT, LT, LU, LV, MC, MT, NL, NO, PL, PT, RO, SE, SI, SK, TR), OAPI (BF, BJ, CF, CG, CI, CM, GA, GN, GQ, GW, ML, MR, NE, SN, TD, TG).

Published:  
— with international search report  
— before the expiration of the time limit for amending the claims and to be republished in the event of receipt of amendments

(88) Date of publication of the international search report:  
18 December 2008

(54) Title: VALVE ASSEMBLY



**Fig. 5**

(57) Abstract: A diaphragm for use in a valve assembly, comprising at least one sealing portion and a fixation portion, characterized in that the fixation portion and the at least one sealing portion are connected by a flexible portion.

WO 2008/098936 A3

# INTERNATIONAL SEARCH REPORT

International application No  
PCT/EP2008/051686

**A. CLASSIFICATION OF SUBJECT MATTER**  
INV. B67D1/08

According to International Patent Classification (IPC) or to both national classification and IPC

**B. FIELDS SEARCHED**

Minimum documentation searched (classification system followed by classification symbols)  
B67D

Documentation searched other than minimum documentation to the extent that such documents are included in the fields searched

Electronic data base consulted during the international search (name of data base and, where practical, search terms used)

EPO-Internal

**C. DOCUMENTS CONSIDERED TO BE RELEVANT**

Category*	Citation of document, with indication, where appropriate, of the relevant passages	Relevant to claim No.
X	EP 0 225 035 A (JOHNSON ENTERPRISES INC [US]) 10 June 1987 (1987-06-10) page 1, paragraph 4 page 4, paragraph 3 - page 6, paragraph 3; figures	1-10
X	EP 0 493 976 A (UNIVERSAL EQUIP CO [GB]) 8 July 1992 (1992-07-08) column 7, line 21 - column 8, line 9; figure 12	1,6,7,10
A	DE 21 04 635 A1 (CASPARY, RUDOLF, DIPL.-ING., 5500 TRIER) 17 August 1972 (1972-08-17) figure 1	1,6

Further documents are listed in the continuation of Box C.

See patent family annex.

\* Special categories of cited documents :

\*A\* document defining the general state of the art which is not considered to be of particular relevance

\*E\* earlier document but published on or after the international filing date

\*L\* document which may throw doubts on priority claim(s) or which is cited to establish the publication date of another citation or other special reason (as specified)

\*O\* document referring to an oral disclosure, use, exhibition or other means

\*P\* document published prior to the international filing date but later than the priority date claimed

\*T\* later document published after the international filing date or priority date and not in conflict with the application but cited to understand the principle or theory underlying the invention

\*X\* document of particular relevance; the claimed invention cannot be considered novel or cannot be considered to involve an inventive step when the document is taken alone

\*Y\* document of particular relevance; the claimed invention cannot be considered to involve an inventive step when the document is combined with one or more other such documents, such combination being obvious to a person skilled in the art.

\*&\* document member of the same patent family

Date of the actual completion of the international search

2 October 2008

Date of mailing of the international search report

22/10/2008

Name and mailing address of the ISA/

European Patent Office, P.B. 5818 Patentlaan 2  
NL - 2280 HV Rijswijk  
Tel. (+31-70) 340-2040,  
Fax: (+31-70) 340-3016

Authorized officer

Müller, Claus

# INTERNATIONAL SEARCH REPORT

Information on patent family members

International application No PCT/EP2008/051686
---

Patent document cited in search report	Publication date	Publication date	Patent family member(s)	Publication date
EP 0225035	A	10-06-1987	AU 6507586 A CA 1271456 A1 JP 62122989 A US 4665940 A	21-05-1987 10-07-1990 04-06-1987 19-05-1987
EP 0493976	A	08-07-1992	IE 914560 A1	01-07-1992
DE 2104635	A1	17-08-1972	NONE	