

(19) World Intellectual Property Organization
International Bureau



(43) International Publication Date
13 March 2008 (13.03.2008)

PCT

(10) International Publication Number
WO 2008/029076 A3

- (51) **International Patent Classification:**
A47J 43/046 (2006.01) A47J 43/07 (2006.01)
- (21) **International Application Number:**
PCT/GB2007/003044
- (22) **International Filing Date:** 10 August 2007 (10.08.2007)
- (25) **Filing Language:** English
- (26) **Publication Language:** English
- (30) **Priority Data:**
0617643.2 8 September 2006 (08.09.2006) GB
- (71) **Applicant (for all designated States except US):** **KENWOOD LIMITED** [GB/GB]; New Lane, Havant, Hampshire P09 2NH (GB).
- (72) **Inventor; and**
- (75) **Inventor/Applicant (for US only):** **GOODRICK-MEECH, Christina** [GB/GB]; Kenwood Limited, New Lane, Havant, Hampshire P09 2NH (GB).
- (74) **Agent:** **MARSH, Robin, Geoffrey;** QED Intellectual Property Limited, Harrow Exchange, 2 Gayton Road, Harrow, Middlesex HA1 2XU (GB).
- (81) **Designated States (unless otherwise indicated, for every kind of national protection available):** AE, AG, AL, AM,

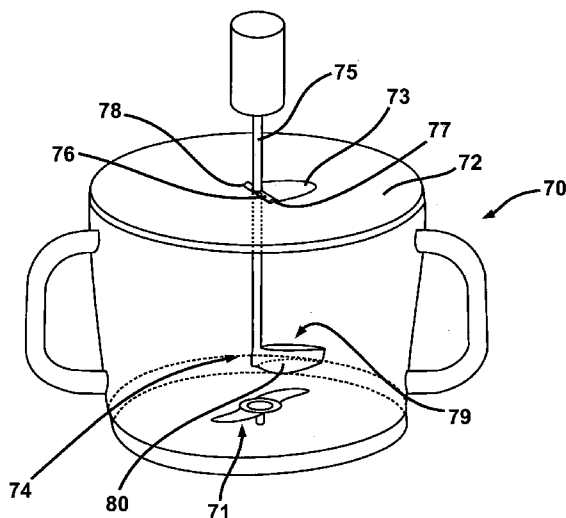
AT, AU, AZ, BA, BB, BG, BH, BR, BW, BY, BZ, CA, CH, CN, CO, CR, CU, CZ, DE, DK, DM, DO, DZ, EC, EE, EG, ES, FI, GB, GD, GE, GH, GM, GT, HN, HR, HU, ID, IL, IN, IS, JP, KE, KG, KM, KN, KP, KR, KZ, LA, LC, LK, LR, LS, LT, LU, LY, MA, MD, ME, MG, MK, MN, MW, MX, MY, MZ, NA, NG, NI, NO, NZ, OM, PG, PH, PL, PT, RO, RS, RU, SC, SD, SE, SG, SK, SL, SM, SV, SY, TJ, TM, TN, TR, TT, TZ, UA, UG, US, UZ, VC, VN, ZA, ZM, ZW.

- (84) **Designated States (unless otherwise indicated, for every kind of regional protection available):** ARIPO (BW, GH, GM, KE, LS, MW, MZ, NA, SD, SL, SZ, TZ, UG, ZM, ZW), Eurasian (AM, AZ, BY, KG, KZ, MD, RU, TJ, TM), European (AT, BE, BG, CH, CY, CZ, DE, DK, EE, ES, FI, FR, GB, GR, HU, IE, IS, IT, LT, LU, LV, MC, MT, NL, PL, PT, RO, SE, SI, SK, TR), OAPI (BF, BJ, CF, CG, CI, CM, GA, GN, GQ, GW, ML, MR, NE, SN, TD, TG).

- Published:**
- with international search report
 - before the expiration of the time limit for amending the claims and to be republished in the event of receipt of amendments

- (88) **Date of publication of the international search report:**
2 May 2008

(54) **Title:** FOOD PROCESSOR ARRANGEMENTS



(57) **Abstract:** A food processor arrangement comprises an electrically powered blender (10, 50) having a working receptacle (70) within which ingredients can be processed, by means of a macerating tool (71), and heated. The receptacle (70) is provided with a lid (72) formed with an aperture (73) through which additional ingredients can be introduced into the receptacle (70), and the arrangement further comprises a ladle (74) mounted to a shank (75) dimensioned to pass through the aperture (73) so that the ladle (74) can be manipulated to sample the content of the receptacle (70). The ladle (74) can be used without fouling the tool (71), and the ladle (74) comprises a spoon-like portion (79) for sampling the stock; the aperture (73) in the lid (72) of the receptacle (70) being elongated in one dimension to accommodate withdrawal of the spoon-like portion (79). Preferably an internal wall portion (81) of the receptacle (70) supports a container (82) for seasoning materials intended to impart flavourings and/or aromas to ingredients in a liquid stock.

WO 2008/029076 A3

INTERNATIONAL SEARCH REPORT

International application No
PCT/GB2007/003044

A. CLASSIFICATION OF SUBJECT MATTER
INV. A47J43/046 A47J43/07

According to International Patent Classification (IPC) or to both national classification and IPC

B. FIELDS SEARCHED

Minimum documentation searched (classification system followed by classification symbols)
A47J

Documentation searched other than minimum documentation to the extent that such documents are included in the fields searched

Electronic data base consulted during the international search (name of data base and, where practical, search terms used)

EPO-Internal, WPI Data, PAJ

C. DOCUMENTS CONSIDERED TO BE RELEVANT

Category*	Citation of document, with indication, where appropriate, of the relevant passages	Relevant to claim No.
A	DE 100 48 535 A1 (VORWERK CO INTERHOLDING [DE]) 28 February 2002 (2002-02-28) paragraphs [0016] - [0036]; figures	1-6
A	WO 02/38011 A (DANIELS THOMAS E JR [US]) 16 May 2002 (2002-05-16) page 5, line 11 - page 16, line 18; figures	1-6
A	US 4 561 782 A (JACOBSEN DOUGLAS C [US] ET AL) 31 December 1985 (1985-12-31) column 3, line 25 - column 4, line 28; figures	1-6
A	US 3 417 972 A (CONWAY VINCENT) 24 December 1968 (1968-12-24) column 2, line 47 - column 4, line 29; figures	1-6
	----- -/--	

Further documents are listed in the continuation of Box C.

See patent family annex.

* Special categories of cited documents:

A document defining the general state of the art which is not considered to be of particular relevance

E earlier document but published on or after the international filing date

L document which may throw doubts on priority claim(s) or which is cited to establish the publication date of another citation or other special reason (as specified)

O document referring to an oral disclosure, use, exhibition or other means

P document published prior to the international filing date but later than the priority date claimed

T later document published after the international filing date or priority date and not in conflict with the application but cited to understand the principle or theory underlying the invention

X document of particular relevance; the claimed invention cannot be considered novel or cannot be considered to involve an inventive step when the document is taken alone

Y document of particular relevance; the claimed invention cannot be considered to involve an inventive step when the document is combined with one or more other such documents, such combination being obvious to a person skilled in the art.

& document member of the same patent family

Date of the actual completion of the international search

27 February 2008

Date of mailing of the international search report

06/03/2008

Name and mailing address of the ISA/

European Patent Office, P.B. 5818 Patentlaan 2
NL - 2280 HV Rijswijk
Tel. (+31-70) 340-2040, Tx. 31 651 epo nl,
Fax: (+31-70) 340-3016

Authorized officer

De Terlizzi, Marino

INTERNATIONAL SEARCH REPORT

International application No
PCT/GB2007/003044

C(Continuation). DOCUMENTS CONSIDERED TO BE RELEVANT

Category*	Citation of document, with indication, where appropriate, of the relevant passages	Relevant to claim No.
A	EP 1 637 056 A (MCGILL TECHNOLOGY LTD [GB]) 22 March 2006 (2006-03-22) paragraph [0040]; figures 8-10	7-13
A	US 6 089 143 A (FIGUEROA CARMINA B [US]) 18 July 2000 (2000-07-18) column 4, lines 13-27; figure 1	7-13

INTERNATIONAL SEARCH REPORT

International application No.
PCT/GB2007/003044

Box No. II Observations where certain claims were found unsearchable (Continuation of item 2 of first sheet)

This international search report has not been established in respect of certain claims under Article 17(2)(a) for the following reasons:

1. Claims Nos.:
because they relate to subject matter not required to be searched by this Authority, namely:

2. Claims Nos.:
because they relate to parts of the international application that do not comply with the prescribed requirements to such an extent that no meaningful international search can be carried out, specifically:

3. Claims Nos.:
because they are dependent claims and are not drafted in accordance with the second and third sentences of Rule 6.4(a).

Box No. III Observations where unity of invention is lacking (Continuation of item 3 of first sheet)

This International Searching Authority found multiple inventions in this international application, as follows:

see additional sheet

1. As all required additional search fees were timely paid by the applicant, this international search report covers allsearchable claims.

2. As all searchable claims could be searched without effort justifying an additional fees, this Authority did not invite payment of additional fees.

3. As only some of the required additional search fees were timely paid by the applicant, this international search report covers only those claims for which fees were paid, specifically claims Nos.:

4. No required additional search fees were timely paid by the applicant. Consequently, this international search report is restricted to the invention first mentioned in the claims; it is covered by claims Nos.:

Remark on Protest

- The additional search fees were accompanied by the applicant's protest and, where applicable, the payment of a protest fee.
- The additional search fees were accompanied by the applicant's protest but the applicable protest fee was not paid within the time limit specified in the invitation.
- No protest accompanied the payment of additional search fees.

FURTHER INFORMATION CONTINUED FROM PCT/ISA/ 210

This International Searching Authority found multiple (groups of) inventions in this international application, as follows:

1. claims: 1-6

a food processor arrangement comprising a working receptacle, a macerating tool, a heater, a receptacle lid with an aperture and a ladle suitable to pass through the aperture and to stir or manipulate the ingredients without fouling the macerating tool

2. claims: 7-13

a food processor arrangement comprising a working receptacle, a macerating tool, a heater, wherein an internal wall portion of the receptacle supports a container for seasoning materials intended to impart flavourings and aromas to ingredients in a liquid stock

INTERNATIONAL SEARCH REPORT

Information on patent family members

International application No

PCT/GB2007/003044

Patent document cited in search report	Publication date	Patent family member(s)	Publication date
DE 10048535	A1	28-02-2002	NONE
WO 0238011	A	16-05-2002	AT 292515 T 15-04-2005
			AT 301959 T 15-09-2005
			AU 3071902 A 21-05-2002
			BG 65155 B1 30-04-2007
			BG 107796 A 30-01-2004
			CA 2465482 A1 16-05-2002
			CN 1543375 A 03-11-2004
			CN 1714725 A 04-01-2006
			CN 1714726 A 04-01-2006
			CZ 20031305 A3 12-11-2003
			DE 60109962 D1 12-05-2005
			DE 60109962 T2 08-09-2005
			DE 60112819 D1 22-09-2005
			DE 60112819 T2 30-03-2006
			DK 1475024 T3 19-09-2005
			EP 1390133 A2 25-02-2004
			ES 2236344 T3 16-07-2005
			ES 2242950 T3 16-11-2005
			HK 1067084 A1 03-02-2006
			HU 0301832 A2 29-09-2003
			IL 155870 A 19-02-2004
			JP 3820220 B2 13-09-2006
			JP 2004516050 T 03-06-2004
			NO 20032115 A 30-06-2003
			NZ 524514 A 23-12-2005
			PL 365749 A1 10-01-2005
			PT 1390133 T 31-08-2005
			RU 2241365 C1 10-12-2004
			SK 5772003 A3 07-10-2003
			ZA 200303676 A 17-02-2004
US 4561782	A	31-12-1985	NONE
US 3417972	A	24-12-1968	DE 1904343 A1 23-04-1970
			FR 1601009 A 03-08-1970
			GB 1258441 A 30-12-1971
EP 1637056	A	22-03-2006	NONE
US 6089143	A	18-07-2000	NONE