



(22) Date de dépôt/Filing Date: 2004/11/09

(41) Mise à la disp. pub./Open to Public Insp.: 2006/04/13

(30) Priorité/Priority: 2004/10/13 (10/962,533) US

(51) Cl.Int./Int.Cl. *A47C 31/10* (2006.01)

(71) Demandeur/Applicant:  
MAYTEX MILLS, INC, US

(72) Inventeur/Inventor:  
BAINES, DAVID MORRIS, US

(74) Agent: GOUDREAU GAGE DUBUC

(54) Titre : HOUSSE DE CANAPE ET CANAPE HOUSSE

(54) Title: SOFA SLIP COVER AND COVERED SOFA

(57) **Abrégé/Abstract:**

A slip covered sofa having removable seat cushions which are separately slip covered by a single bag-like cover into which the seat cushions are inserted and which has excess material extending beyond the cushions, the excess material being and folded under the cushions at each end to hold the material on the upper surface of the cushions taut when the cushions are in place on the sofa.



- 10 -

**ABSTRACT**

**A slip covered sofa having removable seat cushions which are separately slip covered by a single bag-like cover into which the seat cushions are inserted and which has excess material extending beyond the cushions, the excess material being and folded under the cushions at each end to hold the material on the upper surface of the cushions taut when the cushions are in place on the sofa.**

NY\_MAIN 456488v1

02457.001100.

- 1 -

## TITLE

Sofa Slip Cover and Covered Sofa

## BACKGROUND OF THE INVENTION

## Field of the Invention

**[0001]** This invention relates to the covering of upholstered sofas and more particularly it concerns novel coverings for upholstered sofas and chairs as well as upholstered sofas and chairs as so covered.

## Description of the Related Art

**[0002]** United States Patent Publication US 2004/0095002 shows an adjustable slip cover for upholstered furniture such as chairs or sofas. The sofa or chair base is covered separately from the seat cushions, which themselves are individually covered. Elastic straps and clips are provided on the sofa or chair base cover to hold the material of the cover taut. Extra material in the sofa or chair base cover is also tucked under the cushions.

**[0003]** United States Patent No. 2,367,450 also shows adjustable slip covers for upholstered chairs wherein the chair base cover is separate from the cushion cover.

- 2 -

Excess material of the base cover is tucked beneath adjacent portions of the slip cover. The cushion cover is bag shaped and open along the rear edge for insertion of the cushion. The cushion cover is pulled tight and held by strings.

[0004] United States Patent No. 2,921,625 show an adjustable slip cover for chairs and sofas. Here also the cover for the chair or sofa base is separate from the cover for the seat cushion. The seat cushion cover extends over the top, front and sides of the cushion and appears to be held in place by an elasticized edging.

[0005] United States Patent No. 2,884,993 relates to adjustable slip covers for chairs and sofas; and separate covers are provided for the sofa or chair base and for the seat cushion. The cushion covers comprise panels which form a pocket into which the cushions are inserted.

[0006] A particular problem involved in providing slipcovers to accommodate upholstered furniture of different sizes and configurations results from the fact that the seat cushions of such furniture are made with widely different shapes, sizes and thicknesses. Prior attempts to handle this problem have involved providing cushion covers that are pulled tight by a drawstring or an elastic band. However, these lack versatility, and they are not suited for use with multiple cushions such as in sofas. Also there is no assurance that the cushion covers will remain taut after someone has sat on the furniture

#### SUMMARY OF THE INVENTION

[0007] In one aspect of the invention there is provided an upholstered chair or sofa having a base on which are mounted, a horizontal seat cushion support, a back, and arms at each end of the cushion support. At least one removable seat cushion rests on the cushion support between the arms. A seat cushion slip cover covers the seat cushion or cushions. The seat cushion slip cover is pulled tight at the ends of the cushion or cushions which abut the arms. This conforms the cover to the shape of

- 3 -

the cushion or cushions. The excess cover material which extends beyond the cushion or cushions at the arms is folded under them, whereby the weight of the cushion or cushions holds the cover taut along their upper side.

**[0008]** In another aspect, the invention involves a novel slip covered seat cushion for an upholstered chair or sofa. This novel covered seat cushion comprises an elongated bag-like cover; and at least one seat cushion contained within the cover. The cover itself has excess material extending beyond opposite ends of the seat cushion with the excess material being foldable under the seat cushion.

**[0009]** In a further aspect, the invention comprises a novel slip cover for covering the removable seat cushions of upholstered sofas or chairs. This novel slip cover comprises an elongated bag-like cover for containing the seat cushion or cushions, with substantial excess cover material extending beyond the ends of the cushion or cushions. This excess material at the ends of the slip cover can be folded under the cushion or cushions so that their weight will hold the slip cover tight along their upper surface.

#### BRIEF DESCRIPTION OF THE DRAWINGS

**[0010]** Fig. 1 is a frontal view of a slip covered sofa according to the invention;

**[0011]** Fig. 2 is a frontal view similar to Fig. 1 but showing the sofa with the covered seat cushion removed;

**[0012]** Fig. 3 is a perspective view showing a cushion seat cover according to the invention; and

**[0013]** Fig. 4 is a perspective view of a slip covered seat cushion with portions of the slip cover folded over for installation of the seat cushion on a sofa.

**DETAILED DESCRIPTION OF THE PREFERRED EMBODIMENTS**

**[0014]** In the embodiment of Fig. 1, a sofa 10 comprises a base section 11 and a separately slip covered cushion section 12 which contains one or more seat cushions. The base section 11 has a bottom portion 14 which supports a back 14, a pair of arms 16 at opposite ends of the sofa, and a horizontal cushion support surface 18 between the arms. The cushion section 12 rests on this support surface. The cushion section 12 is removable from the base section 10; and a cushion slip cover 12a covers the cushion section. A separate base section slip cover may be provided for the base section 11.

**[0015]** Fig. 2 shows the base section 11 with the cushion section removed. The base section is shown to have a slip cover 11a which is larger than the base section itself; and the excess material of the cover is folded over on the support surface 18 as indicated by the reference character 20.

**[0016]** Fig. 3 shows the cushion slip cover 12a in perspective and containing two T-shaped seat cushions 22a and 22b (shown in dashed outline). A cushion insertion opening 24 is provided in the back of the cover 12a. This opening can be closed by a zipper, by Velcro® fasteners or by any suitable and well known closure means. It is also possible to provide the insertion opening at one end of the cushion cover 12a. Although the ends of the cushion slip cover are shown as being open, they may be sewn closed

**[0017]** It will be seen that the ends of the cushion cover 12a extend substantially beyond the ends and back of the cushion 22a and 22b. This allows the cover to accommodate cushions of different widths and depths. The excess material of the cushion slip cover that extends beyond the ends and back of the cushions is pulled tight and folded around the cushions so that the cover material takes on the shape of the cushions (in the present embodiment, a T-shape). The excess material is then pulled under the cushions so that when the cushions are placed on the cushion

- 5 -

support 18 of the base 10 (Fig.1), their weight will hold the material of the cushion cover taut and maintain a smooth upper surface of the cover. In addition, the friction of the arms 16 and the weight of the persons occupying the sofa will add to the holding effect on the cushion slip cover 12a.

**[0018]** Fig. 4 shows the covered seat cushions 22a and 22b inverted so that the folded over excess material of the cushion cover 12a can be seen at 12b. The excess material may not only be at the ends of the cover 12a; but additional excess material may be provided along its rear edge so as to accommodate seat cushions of different depths.

**[0019]** There may also be provided one or more elastic bands 28 which are attached to the excess cover material 12b by means of clips 30 to assist in holding the cover taut. The clips may be any well known clips such as suspender type clips for example.

**[0020]** In installing the seat cushion cover 12a, the cushion or cushions are inserted in the cover via the opening 24. The opening is then closed. The cushion or cushions are then arranged to be substantially centered between the ends of the cover 12a. Because the cushions can be moved with respect to the ends of the cover 12a, it will be possible to have any pattern on the cushion cover 12a aligned with a corresponding pattern on the base cover 10a. The cover 12a is then pulled tight at its ends and back; and the excess material of the cover is folded under the cushions. The covered cushions are then positioned on the cushion support as shown in Fig. 1.

**[0021]** The cushion cover of this invention can be made of any slip cover material and may be woven or knit fabric. As an example, the cushions 22a and 22b would have a depth, from the front elongated edge to the rear of 26 inches and would accommodate a cushion thickness of 6 inches. The length of the cushion cover would depend on the distance from one end of the cushion to the other while

allowing sufficient excess material to be folded under the cushions. These dimensions are not critical and a wide range of dimensions may be employed for the cushion slip cover, provided that the cover is large enough to accommodate a wide range of cushion sizes while still leaving sufficient excess material of the cover to be folded under the cushions.

[0022] The cushion cover 12a may be made to accommodate seat cushions of upholstered chairs as well as sofas. In addition elastic bands, Velcro® fasteners, etc. may be used to hold the excess material under the cushions.

[0023] The cushions with the cushion cover may be turned over in the event that the upper surface of the cover becomes worn or stained. In this case the excess material at the ends and back of the cover 12a is folded in the reverse direction so that it remains between the cushions and the cushion support.

[0024] While this invention has been described in conjunction with T-shaped cushions, it is equally applicable with rectangular cushions or cushions of other shapes. Pulling the material of the cover and then folding it under the ends of the cushions will cause it to conform to whatever the shape of the cushion ends may be.



## CLAIMS

**1. A slip covered sofa or chair comprising:**

**an upholstered base section comprising a bottom portion which supports a horizontal seat cushion support, a back and arms at each end of said seat cushion support and back;**

**at least one removable seat cushion on the seat cushion support; and**

**a seat cushion slip cover covering said at least one removable seat cushion, said cushion slip cover being pulled taut, with excess material of said cover being held under said at least one removable cushion.**

**2. A slip covered sofa or chair according to claim 1, wherein said seat cushion slip cover is provided with a closeable opening along its rear edge to permit insertion of said at least one seat cushion.**

**3. A slip covered sofa or chair according to claim 1, wherein said at least one seat cushion has a T-shaped configuration at its ends.**

**4. A slip covered sofa or chair according to claim 1, wherein said base section is covered with a base section slip cover.**

**5. A slip covered sofa or chair according to claim 4, wherein said base section slip cover is larger than said base section and wherein excess material of said base section slip cover is folded over under said seat cushion support.**

**6. A slip covered chair or sofa according to claim 1, wherein there are provided at least one elastic band with clips at each end to assist in holding the folded over excess material under the cushion.**

**7. A slip cover assembly for covering upholstered sofas or chairs which have at least one removable seat cushion, said slip cover assembly comprising:**

**a sofa or chair base slip cover for covering an upholstered sofa or chair base section; and**

**a separate sofa or chair seat cushion slip cover for covering at least one sofa or chair seat cushion,**

**at least one of said sofa or chair base section slip cover and said sofa or chair seat cushion cover having excess material which can be thereunder when said seat cushion is in place on said sofa or chair base section.**

**8. A slip cover assembly according to claim 6, wherein said cushion slip cover is in the shape of an elongated bag.**

**9. A slip cover assembly according to claim 7, wherein an opening is provided along a rear edge thereof to permit insertion of said at least one seat cushion.**

**10. A slip covered seat cushion for an upholstered chair or sofa, comprising:**

**an elongated bag-like cover; and**

**at least one seat cushion contained within said cover,**

**said cover having excess material extending beyond opposite ends of said at least one seat cushion and said excess material being foldable under said seat cushion.**

**11. A slip covered seat cushion according to claim 10, wherein said at least one cushion has a T-shaped configuration.**

**12. A slip covered seat cushion according to claim 10, wherein two cushions are provided within said cover.**

13. A slip covered seat cushion according to claim 10, wherein there is provided at least one elastic band with clips at each end connecting the band to the folded over portions of the cover.

14. A slip covered seat cushion according to claim 10, wherein an opening is provided along a rear edge of said cover to permit insertion of said at least one cushion.

FIG. 1

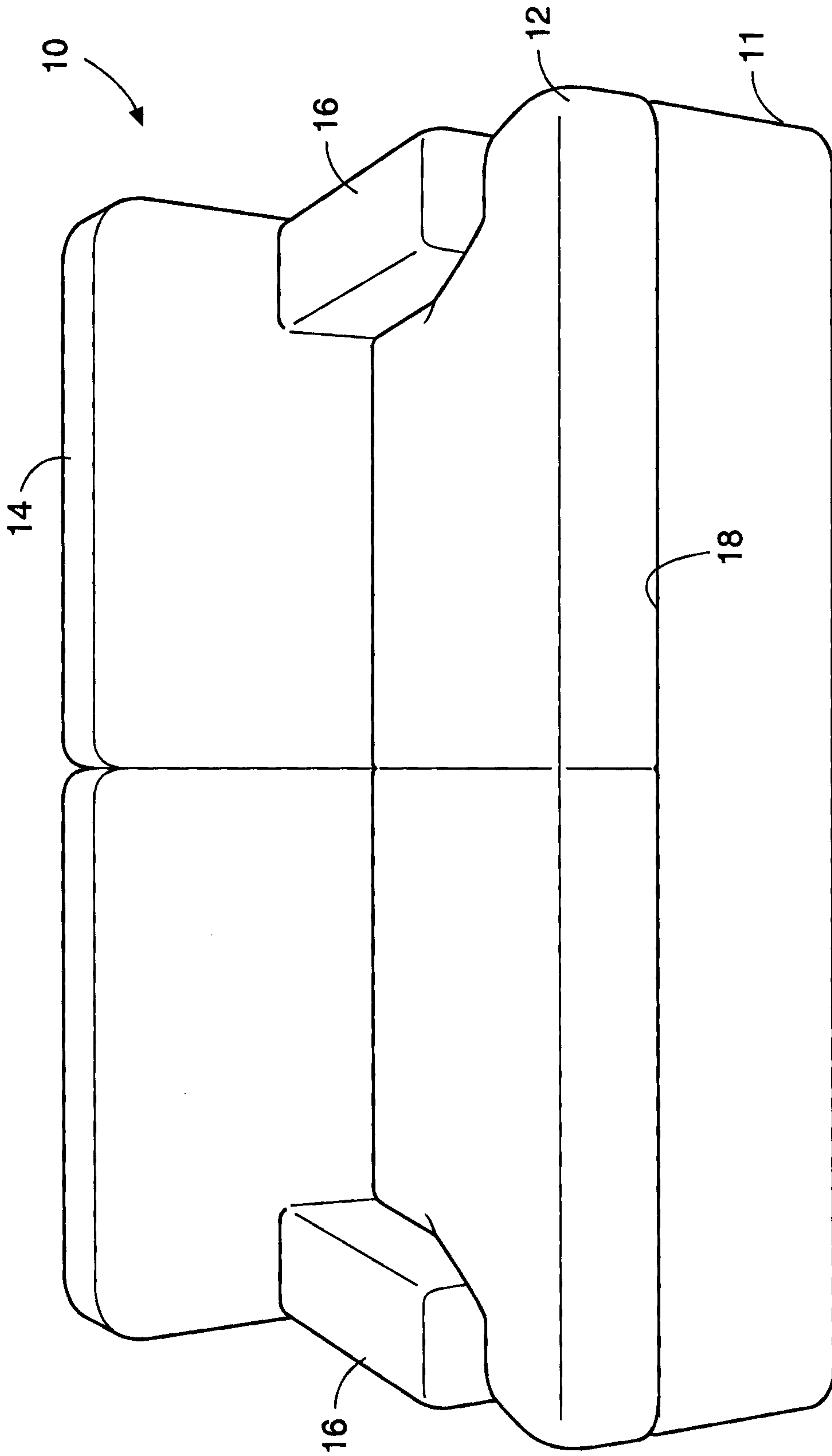
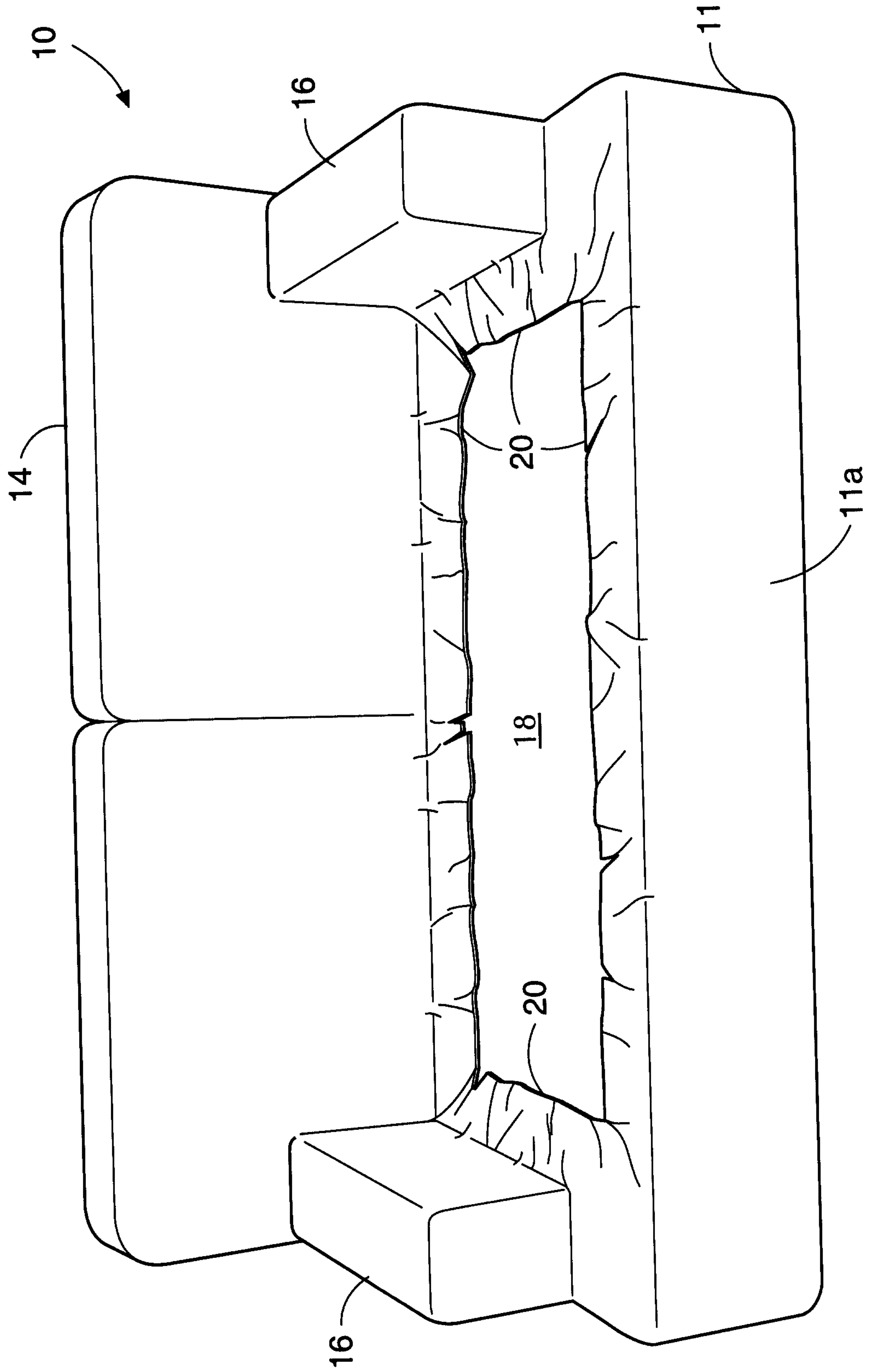
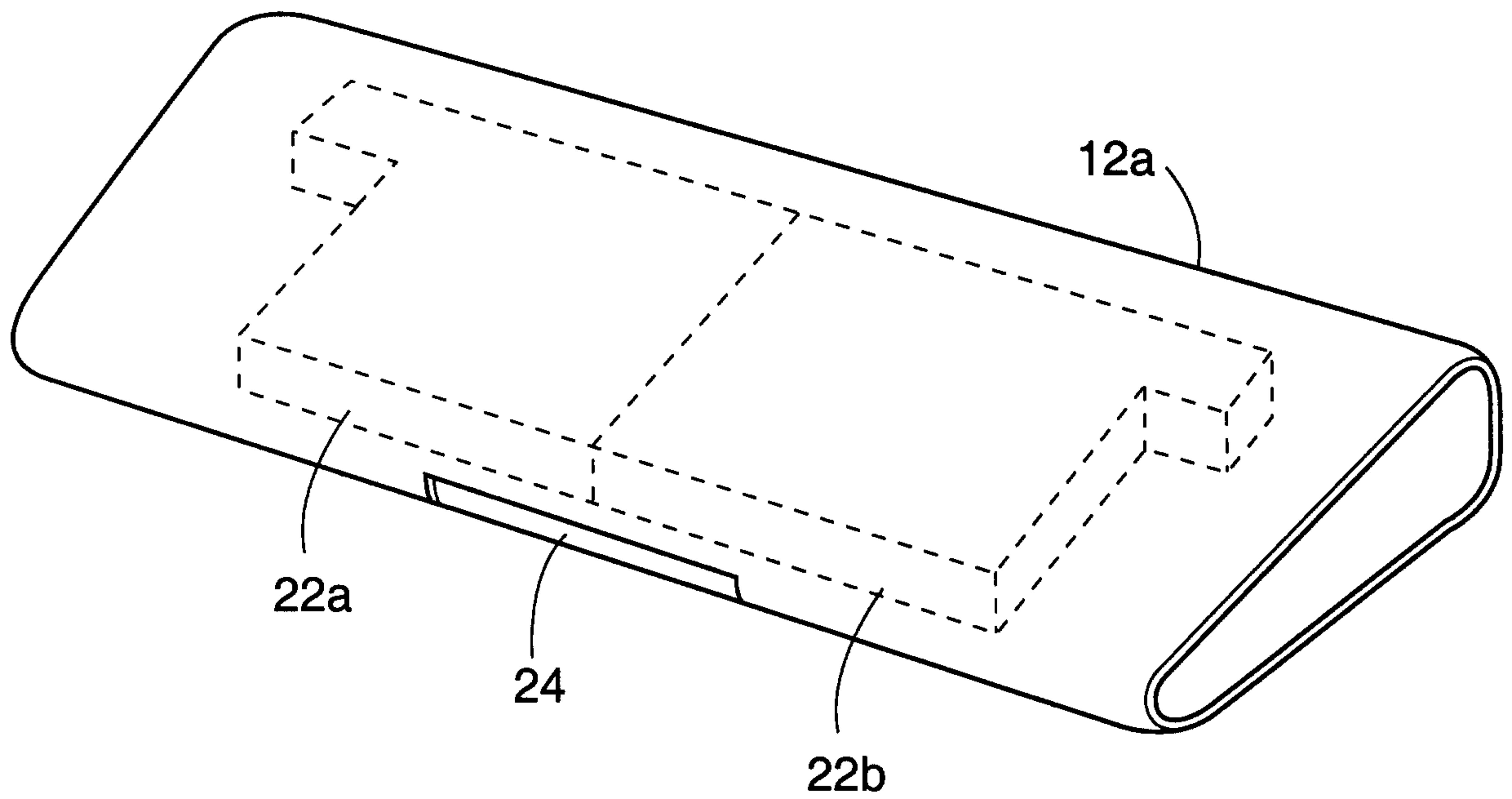


FIG. 2



**FIG. 3**



**FIG. 4**

