



US00D710978S

(12) **United States Design Patent**  
**Spangler**

(10) **Patent No.:** **US D710,978 S**

(45) **Date of Patent:** **\*\* Aug. 12, 2014**

(54) **SINK**

(71) Applicant: **Masco Corporation of Indiana,**  
Indianapolis, IN (US)

(72) Inventor: **Anthony Spangler,** Indianapolis, IN  
(US)

(73) Assignee: **Masco Corporation of Indiana,**  
Indianapolis, IN (US)

(\*\*) Term: **14 Years**

(21) Appl. No.: **29/479,461**

(22) Filed: **Jan. 16, 2014**

**Related U.S. Application Data**

(62) Division of application No. 29/456,707, filed on Jun. 3,  
2013, now Pat. No. Des. 700,686.

(51) **LOC (10) Cl.** ..... **23-02**

(52) **U.S. Cl.**  
USPC ..... **D23/293.1**

(58) **Field of Classification Search**  
USPC ..... D23/284, 286, 291-293.1, 303, 308;  
4/619, 643, 650, 652, 689

See application file for complete search history.

(56) **References Cited**

U.S. PATENT DOCUMENTS

D415,261 S \* 10/1999 Thomas ..... D23/284  
D499,797 S \* 12/2004 Bates ..... D23/284  
D500,843 S \* 1/2005 Takou ..... D23/292  
D538,905 S \* 3/2007 Wano ..... D23/293.1

\* cited by examiner

*Primary Examiner* — Robert Delehanty

(74) *Attorney, Agent, or Firm* — Edgar A. Zarins; Nirav D.  
Parikh

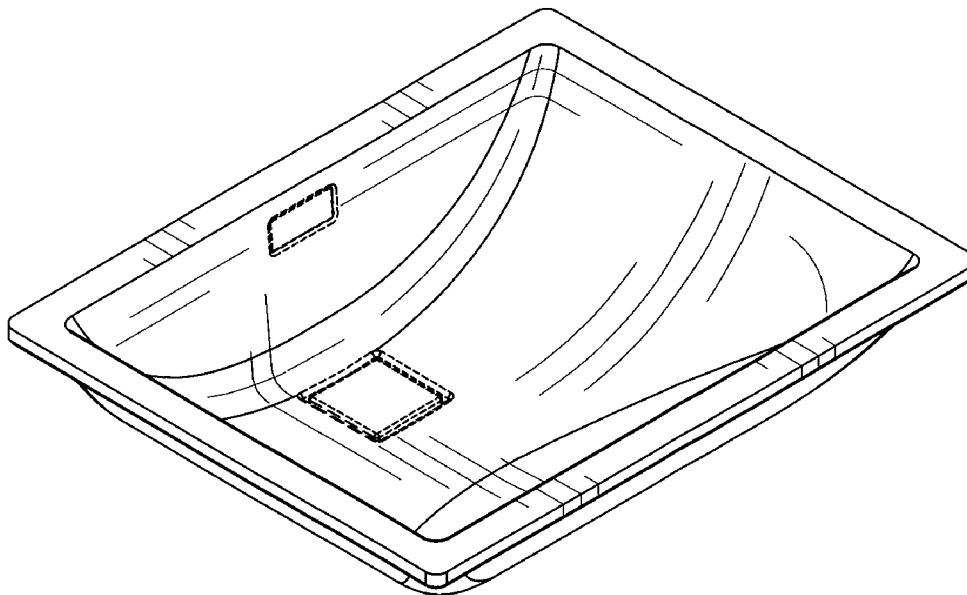
(57) **CLAIM**

The ornamental design for a sink, as shown and described.

**DESCRIPTION**

FIG. 1 is a perspective view of a sink showing my new design;  
FIG. 2 is a rear perspective thereof;  
FIG. 3 is a top plan view thereof;  
FIG. 4 is a right side view thereof;  
FIG. 5 is a left side view thereof;  
FIG. 6 is a front elevational view thereof; and,  
FIG. 7 is a bottom view thereof.

**1 Claim, 3 Drawing Sheets**



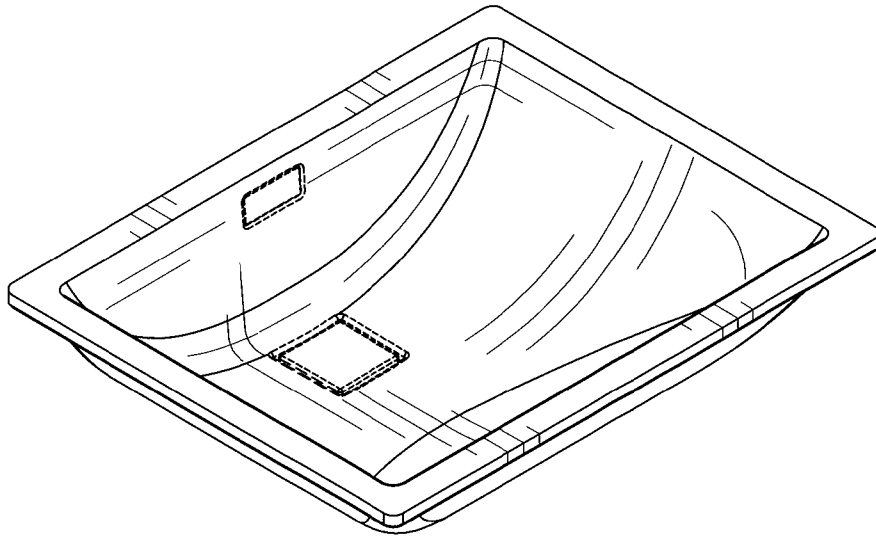


Fig-1

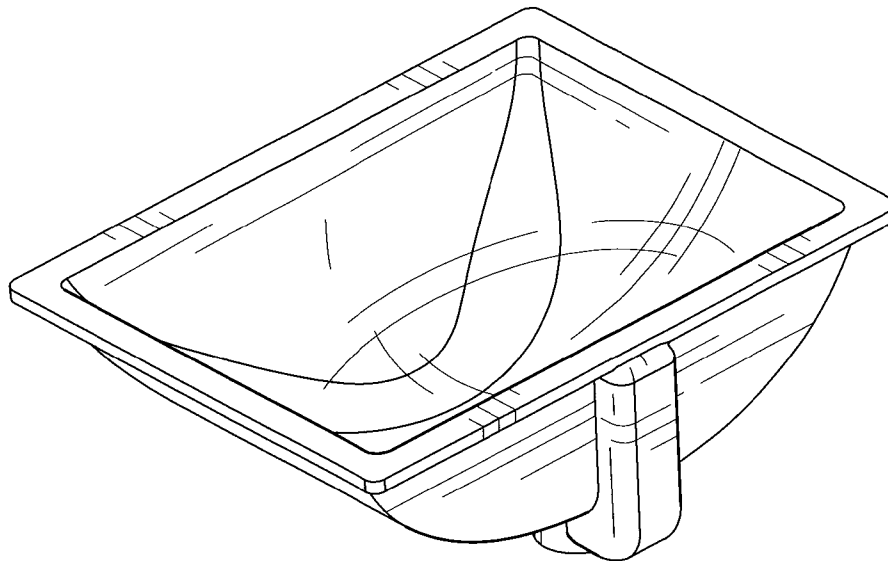


Fig-2

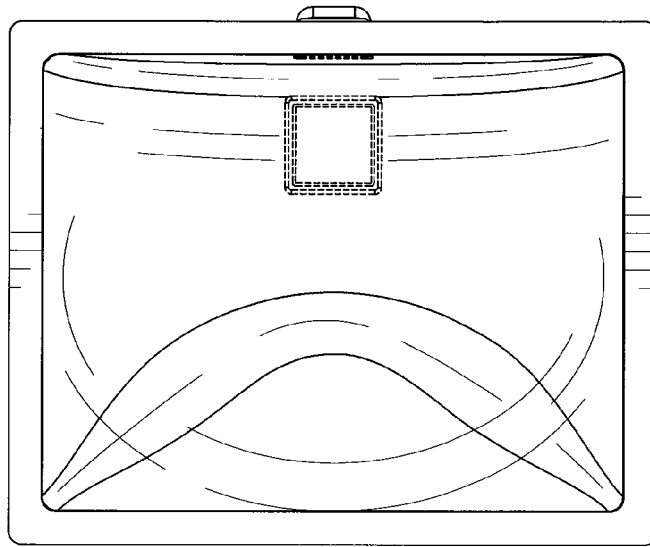


Fig-3

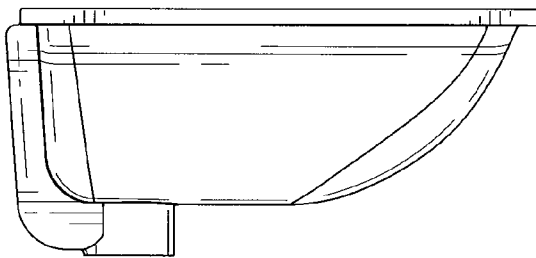


Fig-4

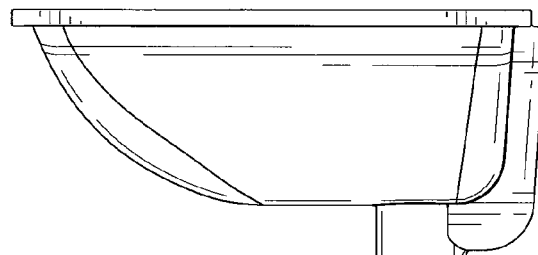


Fig-5

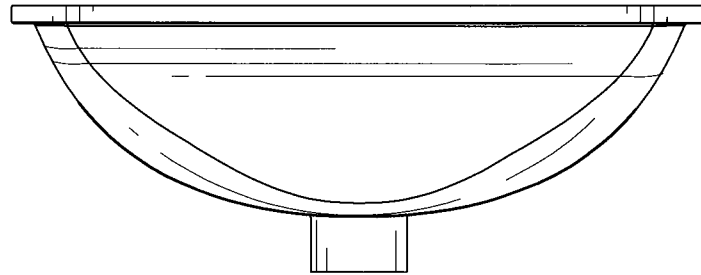


Fig-6

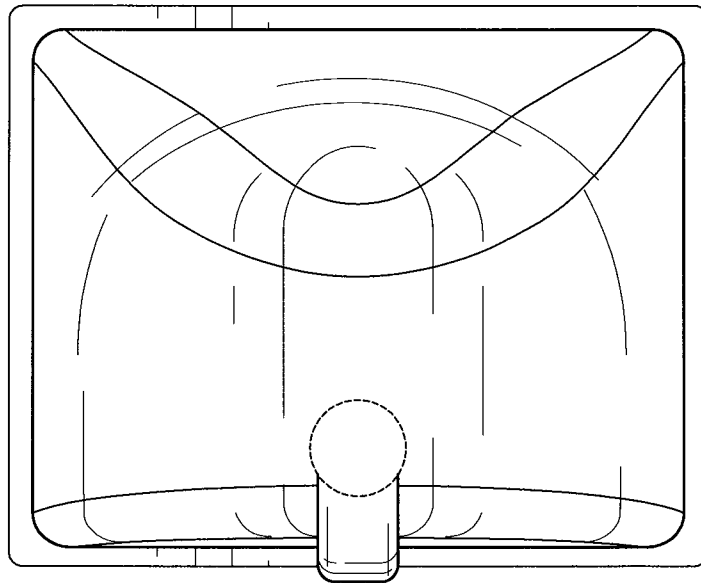


Fig-7