



US00D952976S

(12) **United States Design Patent**
Moulton

(10) **Patent No.:** **US D952,976 S**

(45) **Date of Patent:** **** May 24, 2022**

(54) **CLEANING DEVICE**

(71) Applicant: **John Moulton**, Spotsylvania, VA (US)

(72) Inventor: **John Moulton**, Spotsylvania, VA (US)

(**) Term: **15 Years**

(21) Appl. No.: **29/761,331**

(22) Filed: **Dec. 8, 2020**

Related U.S. Application Data

(63) Continuation-in-part of application No. 17/028,575, filed on Sep. 22, 2020.

(60) Provisional application No. 62/909,390, filed on Oct. 2, 2019.

(51) **LOC (13) Cl.** **07-05**

(52) **U.S. Cl.**
USPC **D32/46**

(58) **Field of Classification Search**
USPC D32/40-42, 44-52; D8/9-14, 90
CPC A47L 13/11; A47L 1/16
See application file for complete search history.

(56) **References Cited**

U.S. PATENT DOCUMENTS

D295,911 S *	5/1988	Zogg	D32/45
D320,483 S *	10/1991	Desautel	15/236.08
D354,595 S *	1/1995	Wasak	D4/137
D365,180 S *	12/1995	Brookfield	D32/48
5,781,957 A *	7/1998	Scholl	A47L 1/16
				15/236.08
D412,230 S *	7/1999	Schmidt	D32/46
D429,136 S *	8/2000	Ali	D8/90
6,282,742 B1 *	9/2001	Boggs	A47L 1/16
				15/236.02
D509,723 S *	9/2005	Smith	D8/90
D530,178 S *	10/2006	Bortz	D8/90

D538,987 S *	3/2007	Angeletta	D32/40
D568,566 S *	5/2008	Gabbour	D32/40
D583,156 S *	12/2008	Constantine	D4/137
D612,118 S *	3/2010	Williams	D32/46
D624,720 S *	9/2010	Motsenbocker	D32/46
D670,469 S *	11/2012	Polk	D32/40
8,434,187 B2 *	5/2013	Weinberger	A47L 1/16
				15/236.08
D765,930 S *	9/2016	Baldwin	D32/35
D841,271 S *	2/2019	Motsenbocker	D32/46
2020/0010056 A1 *	1/2020	Bates	B60S 3/045

FOREIGN PATENT DOCUMENTS

WO WO-2007001250 A1 * 1/2007 A47L 1/16

OTHER PUBLICATIONS

Car Squeegee, Weathertech website 2022, site visited Mar. 21, 2022, <https://www.weathertech.com/techcare/waterblade/>.*

* cited by examiner

Primary Examiner — John R Yeh

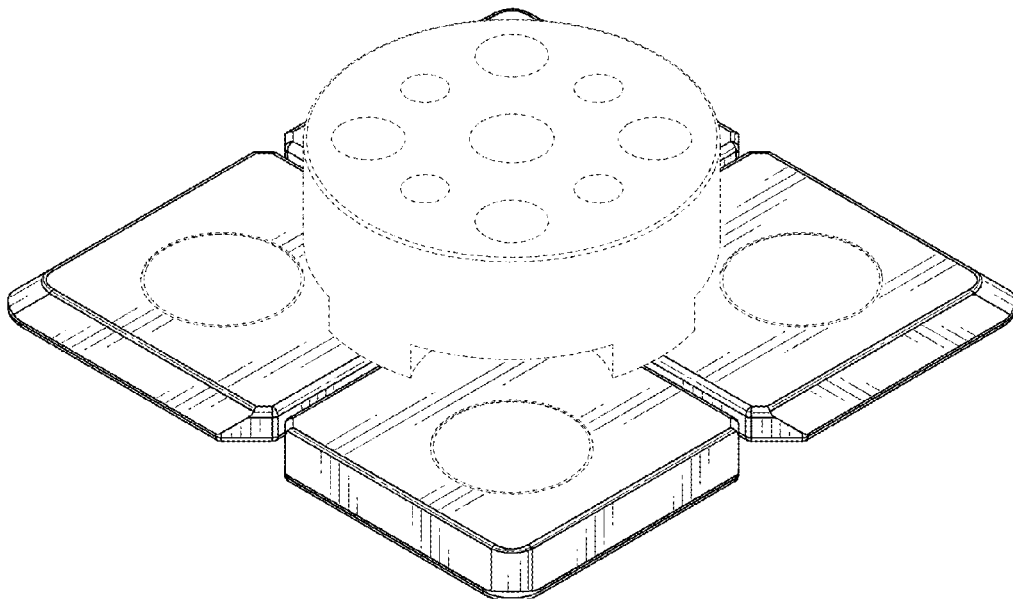
(57) **CLAIM**

The ornamental design for a cleaning device, as shown and described.

DESCRIPTION

FIG. 1 is a front-top perspective view of a cleaning device showing my new design; FIG. 2 is a front-bottom perspective view thereof; FIG. 3 is a front elevational view thereof, wherein the rear, left, right elevational views are identical thereto; FIG. 4 is a top plan view thereof; and, FIG. 5 is a bottom plan view thereof. The broken lines shown are for illustrative purposes only and form no part of the claimed design.

1 Claim, 5 Drawing Sheets



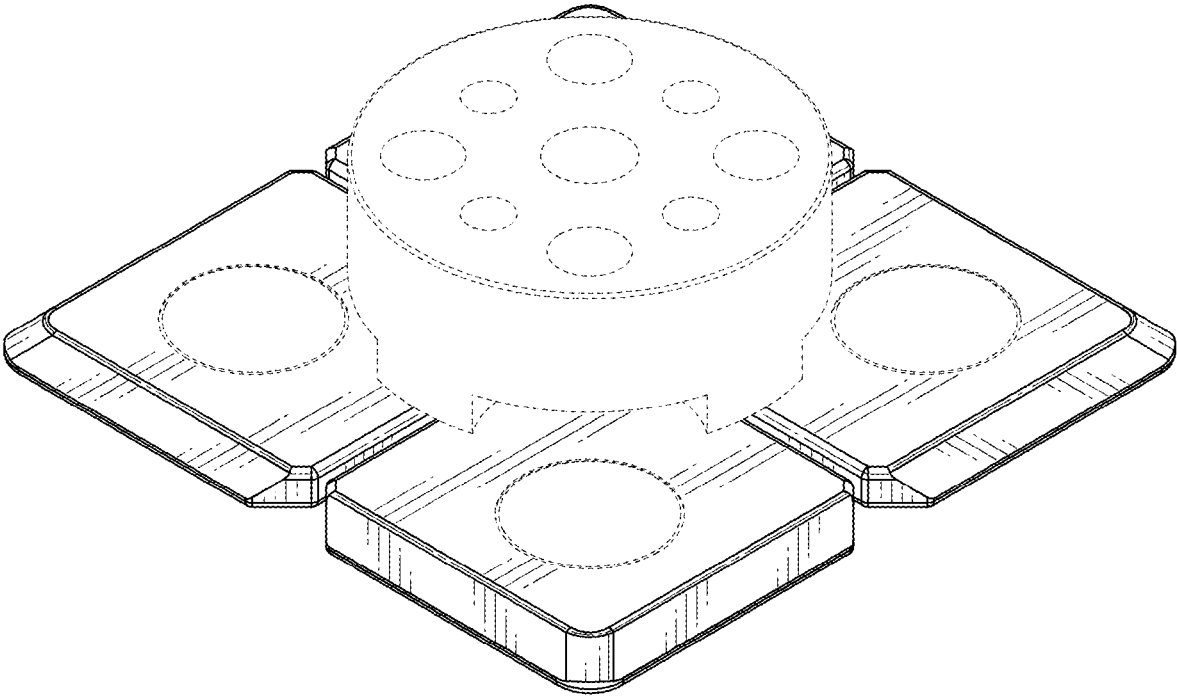


FIG. 1

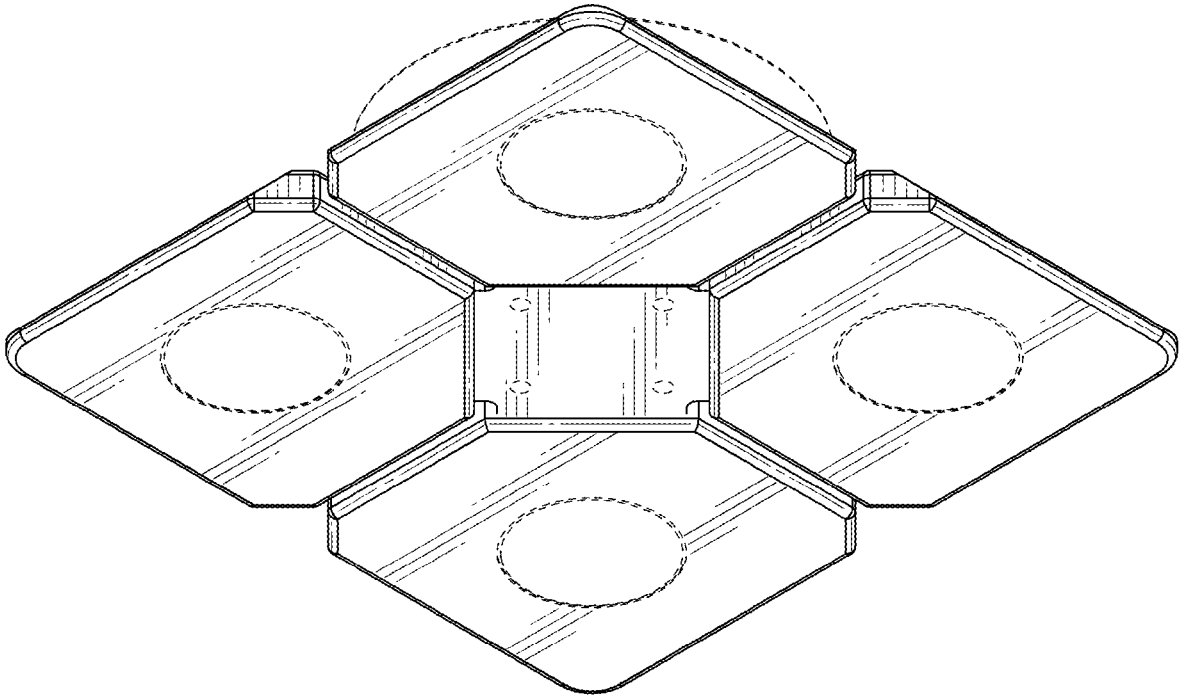


FIG. 2

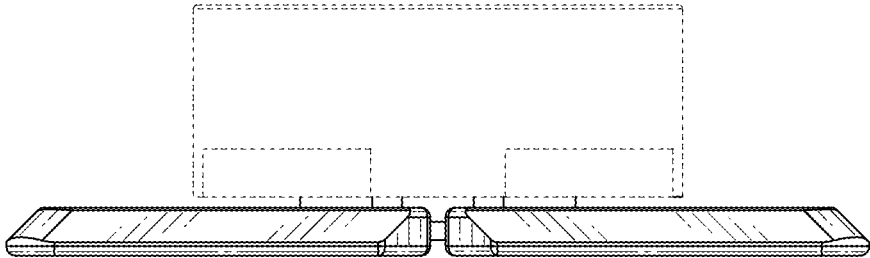


FIG. 3

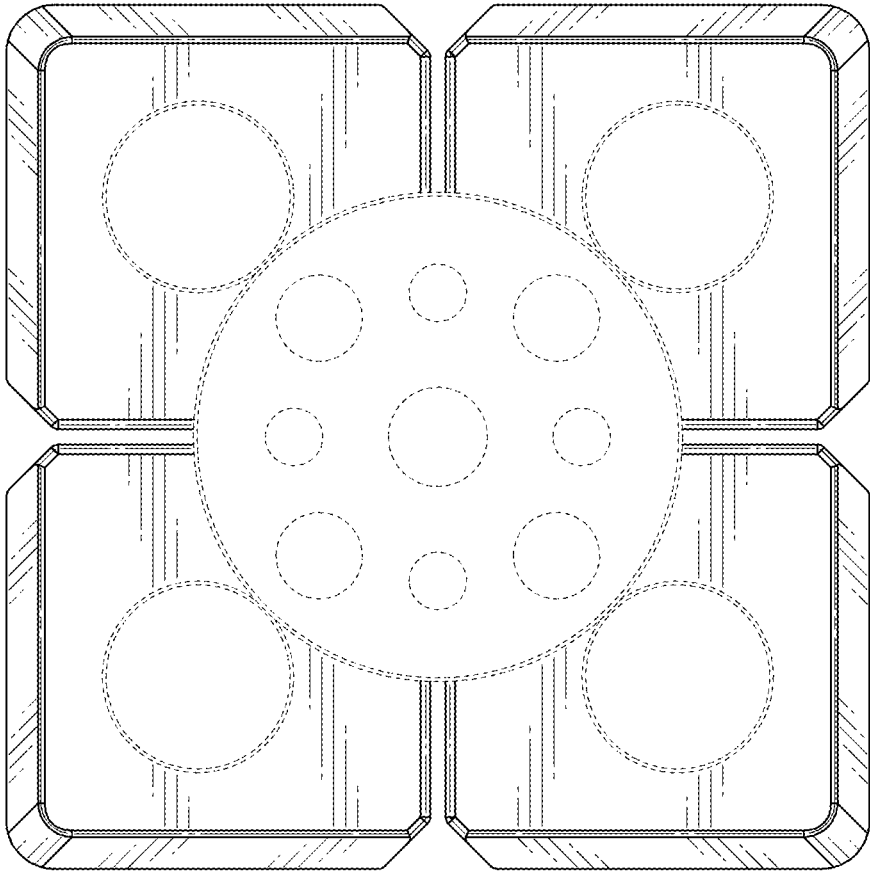


FIG. 4

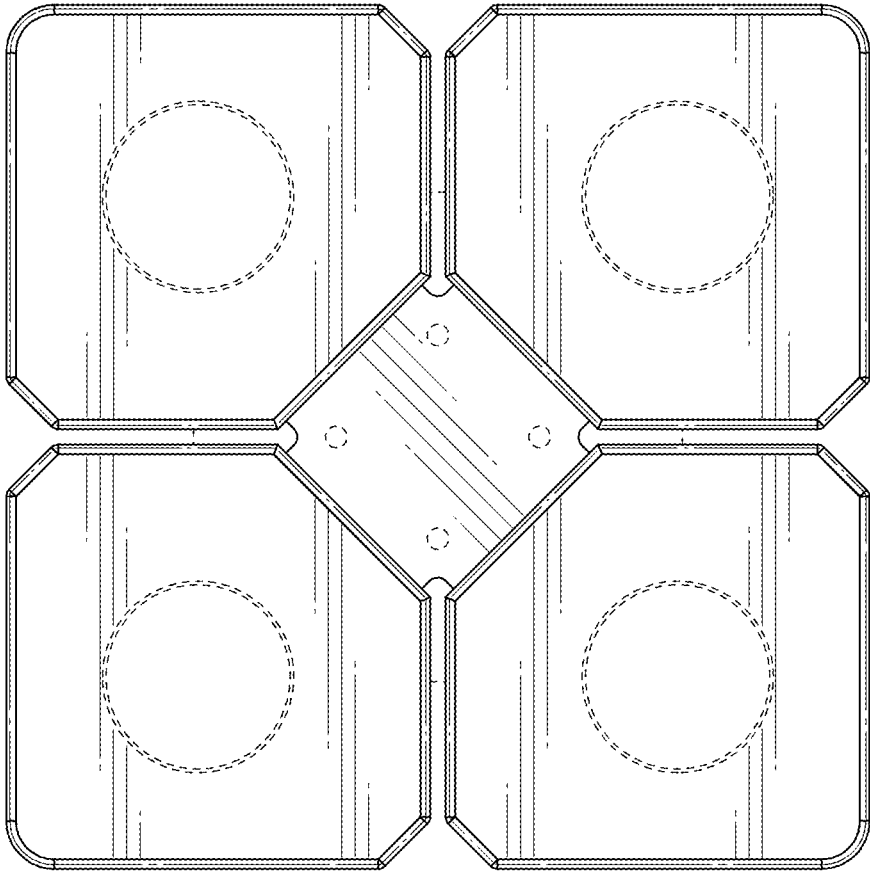


FIG. 5