



US00D675526S

(12) **United States Design Patent**
Obrist

(10) **Patent No.:** **US D675,526 S**

(45) **Date of Patent:** **** Feb. 5, 2013**

(54) **SCREW CAP**

(75) Inventor: **Manfred Obrist**, Lustenau (AT)

(73) Assignee: **Sulzer Mixpac AG**, Haag (CH)

(**) Term: **14 Years**

(21) Appl. No.: **29/394,878**

(22) Filed: **Jun. 22, 2011**

(30) **Foreign Application Priority Data**

Dec. 22, 2010 (EM) 001253207

(51) **LOC (9) Cl.** **09-07**

(52) **U.S. Cl.** **D9/453; D9/454**

(58) **Field of Classification Search** D9/454,
D9/453, 452, 449, 447, 446, 445, 443, 435,
D9/434; D7/392.1; 215/365, 333, 252, 250,
215/228, 200; 220/288, 270, 257.2, 254.3,
220/277

See application file for complete search history.

(56) **References Cited**

U.S. PATENT DOCUMENTS

D124,384 S * 12/1940 Erlich D9/453

D198,953 S * 8/1964 Quintal D9/453

D354,914 S *	1/1995 Newman	D9/503
D457,432 S *	5/2002 Peabody	D9/453
D461,127 S *	8/2002 Peabody	D9/453
D542,133 S *	5/2007 Haber et al.	D9/453
D612,731 S *	3/2010 Bragg	D9/453
D631,351 S *	1/2011 Coon	D9/453
D638,707 S *	5/2011 Stoffers et al.	D9/453

* cited by examiner

Primary Examiner — Susan Bennett Hattan

(74) *Attorney, Agent, or Firm* — K&L Gates LLP

(57) **CLAIM**

The ornamental design for a screw cap, as shown and described.

DESCRIPTION

FIG. 1 illustrates a front perspective view of the screw cap showing my new design; FIG. 2 illustrates a top elevation view thereof; FIG. 3 illustrates a front elevation view thereof; FIG. 4 illustrates a right side elevation view thereof; FIG. 5 illustrates a back elevation view thereof; FIG. 6 illustrates a left side elevation view thereof; and, FIG. 7 illustrates a bottom elevation view thereof. The broken lines in the drawings depict environmental subject matter only and form no part of the claimed design.

1 Claim, 4 Drawing Sheets

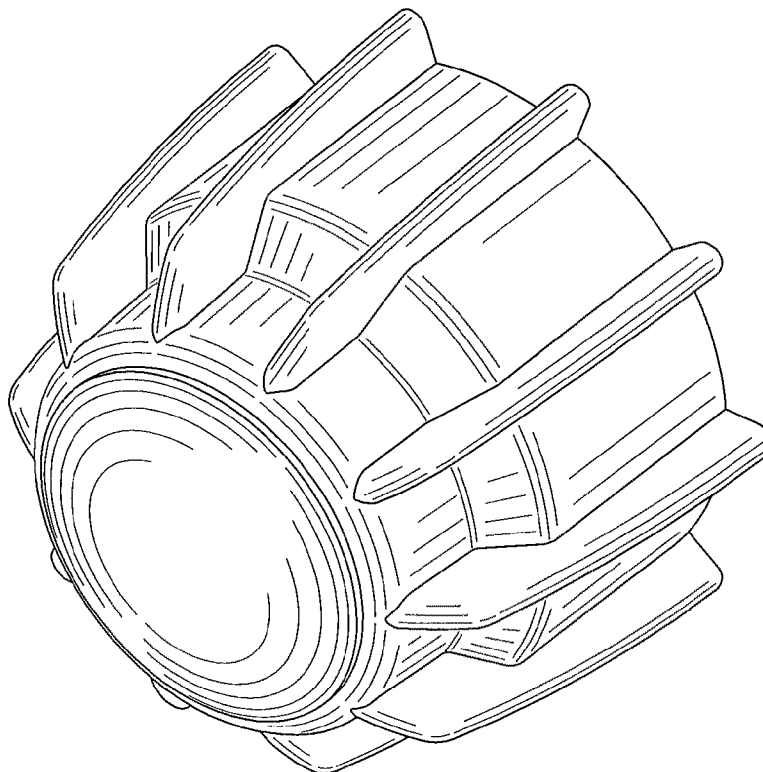


FIG. 1

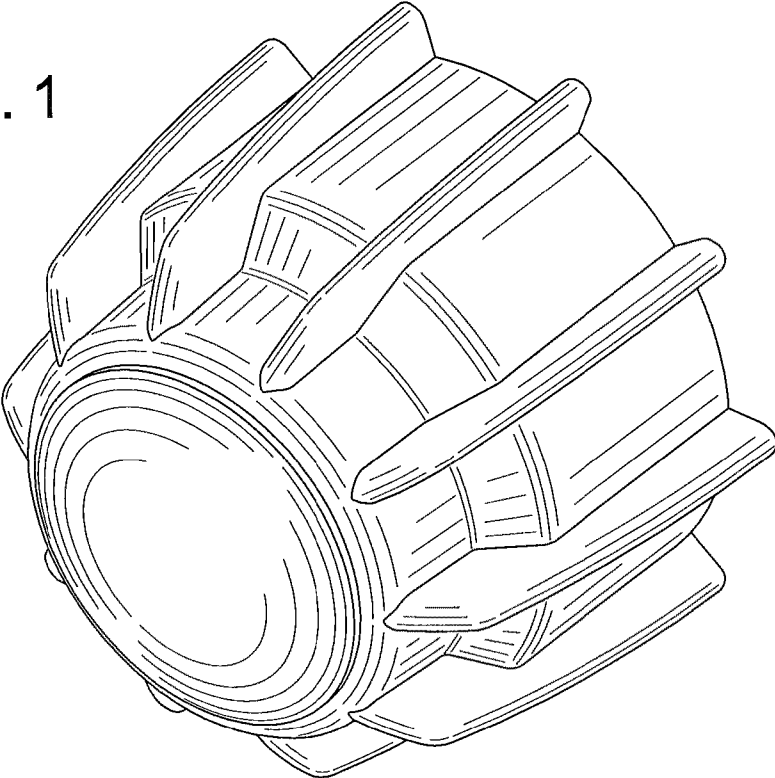


FIG. 2

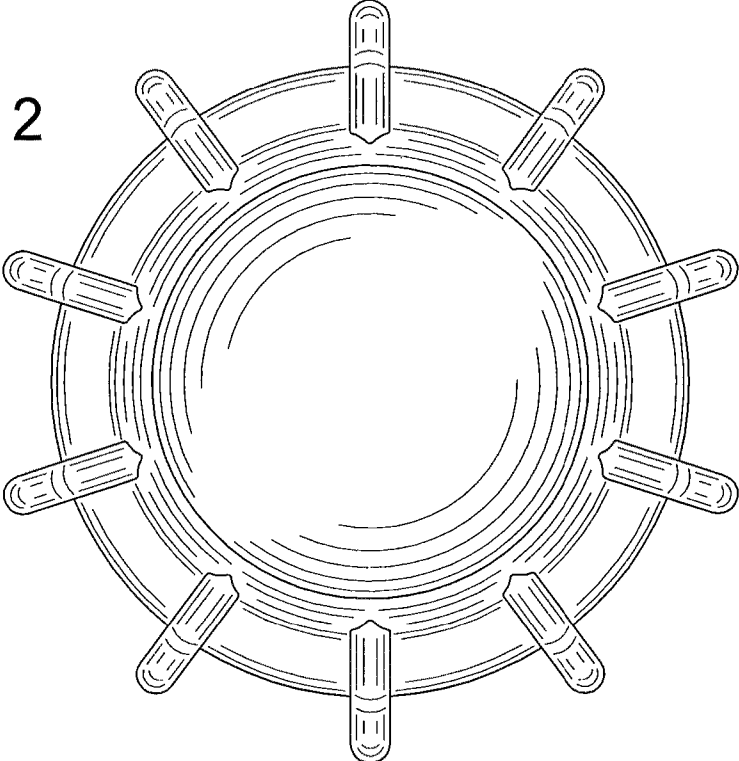


FIG. 3

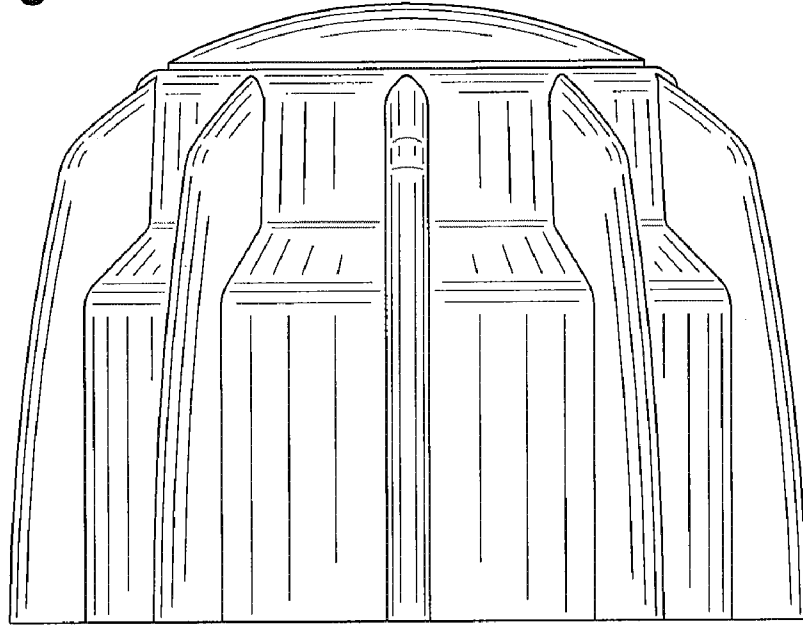


FIG. 4

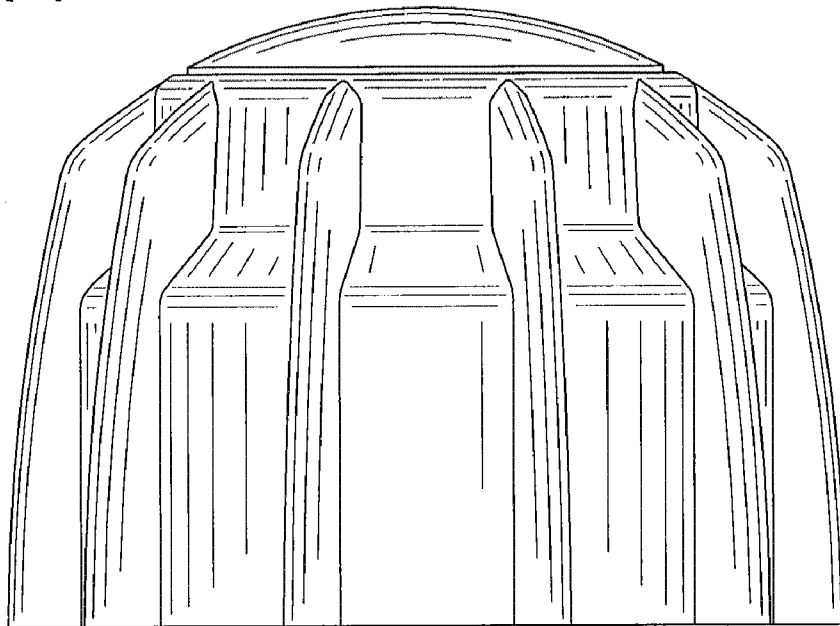


FIG. 5

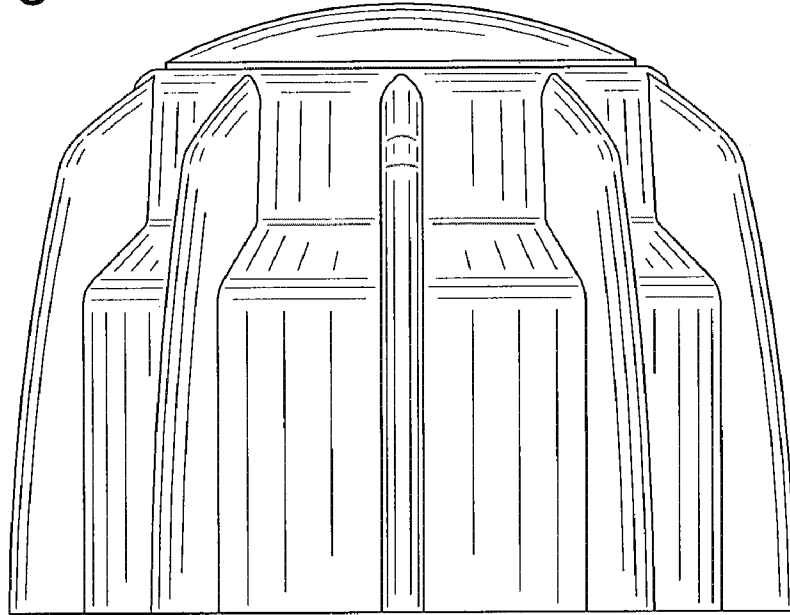


FIG. 6

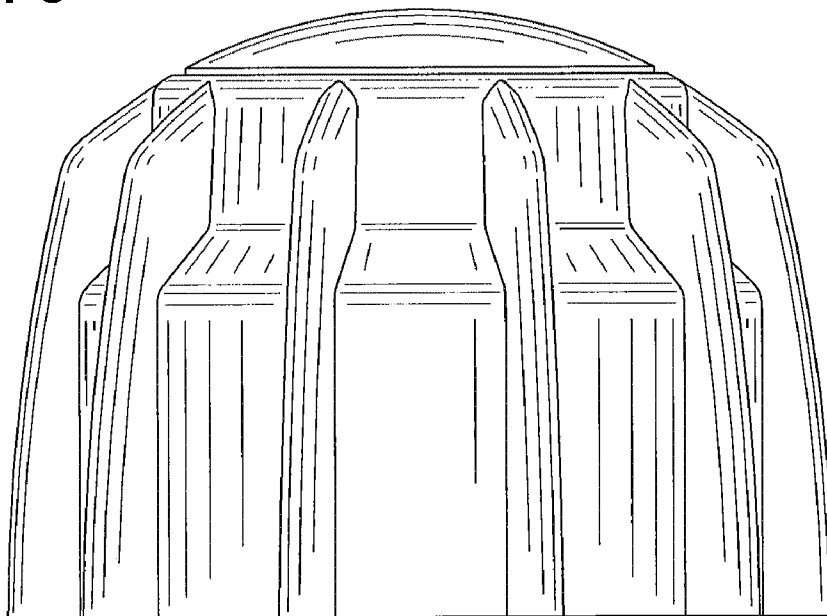


FIG. 7

