

(19) World Intellectual Property Organization
International Bureau



(43) International Publication Date
7 September 2001 (07.09.2001)

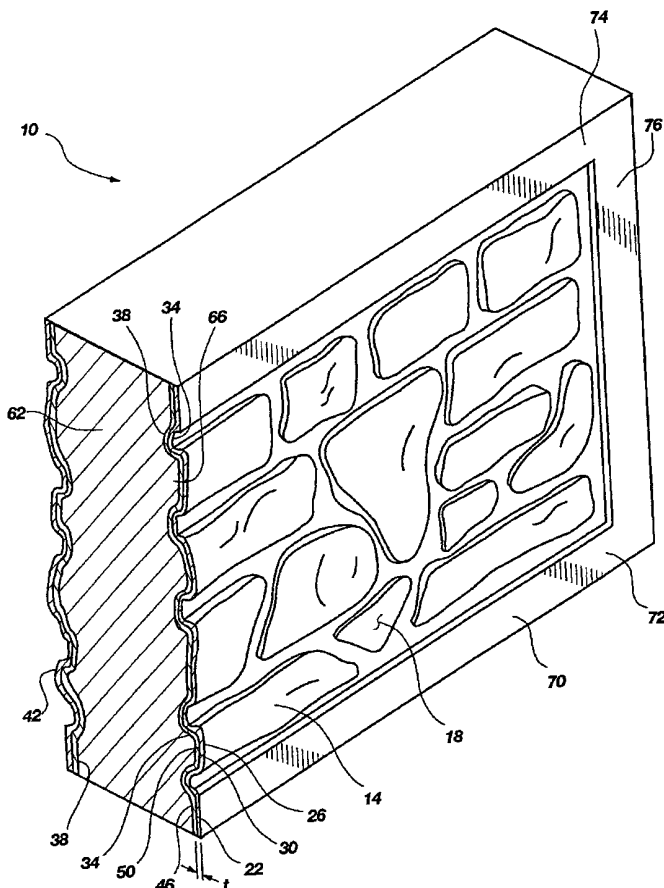
PCT

(10) International Publication Number
WO 01/65017 A3

- (51) International Patent Classification⁷: E04C 2/02, B29C 44/06, 44/12
- (74) Agents: HOBSON, Garron, M. et al.; Thorpe North & Western, LLP, P.O. Box 1219, Sandy, UT 84091-1219 (US).
- (21) International Application Number: PCT/US01/06310
- (22) International Filing Date: 28 February 2001 (28.02.2001)
- (25) Filing Language: English
- (26) Publication Language: English
- (30) Priority Data: 09/516,554 1 March 2000 (01.03.2000) US
- (81) Designated States (*national*): AE, AG, AL, AM, AT, AU, AZ, BA, BB, BG, BR, BY, BZ, CA, CH, CN, CO, CR, CU, CZ, DE, DK, DM, DZ, EE, ES, FI, GB, GD, GE, GH, GM, HR, HU, ID, IL, IN, IS, JP, KE, KG, KP, KR, KZ, LC, LK, LR, LS, LT, LU, LV, MA, MD, MG, MK, MN, MW, MX, MZ, NO, NZ, PL, PT, RO, RU, SD, SE, SG, SI, SK, SL, TJ, TM, TR, TT, TZ, UA, UG, UZ, VN, YU, ZA, ZW.
- (84) Designated States (*regional*): ARIPO patent (GH, GM, KE, LS, MW, MZ, SD, SL, SZ, TZ, UG, ZW), Eurasian patent (AM, AZ, BY, KG, KZ, MD, RU, TJ, TM), European patent (AT, BE, CH, CY, DE, DK, ES, FI, FR, GB, GR, IE, IT, LU, MC, NL, PT, SE, TR), OAPI patent (BF, BJ, CF, CG, CI, CM, GA, GN, GW, ML, MR, NE, SN, TD, TG).
- (71) Applicant and
(72) Inventor: STOTT, Gale [US/US]; 550 West 1700 South, Salt Lake City, UT 84115 (US).

[Continued on next page]

(54) Title: FAUX STONE CONCRETE PANEL AND METHOD FOR MAKING SAME



(57) Abstract: A wall or panel (10) has a thin concrete layer (14) with a cross-sectional contour having protrusions (26) and indentations (30) forming other objects, such as stone work, brick or wood. A reinforcement layer (46) may be affixed to the concrete layer to provide tensile strength and impact resistance to the concrete layer. A foam layer (62) is affixed to the reinforcement layer to further reinforce the concrete layer, and so that the wall or panel is light weight. A second concrete layer (42) or a rigid backing layer (104) may be disposed opposite the concrete layer so that the foam is disposed therebetween. A method for forming the wall or panel includes spraying the concrete onto a mold surface (512) which has indentations (516) and protrusions (520) for forming the other objects. The reinforcement layer is sprayed onto the cured concrete layer. The mold (500) is closed and foam is introduced into the mold.

WO 01/65017 A3



Published:

— *with international search report*

For two-letter codes and other abbreviations, refer to the "Guidance Notes on Codes and Abbreviations" appearing at the beginning of each regular issue of the PCT Gazette.

(88) Date of publication of the international search report:

21 March 2002

INTERNATIONAL SEARCH REPORT

International application No.
PCT/US01/06910

A. CLASSIFICATION OF SUBJECT MATTER

IPC(7) : E04C 2/02; B29C 44/06, 44/12
US CL : Please See Extra Sheet.

According to International Patent Classification (IPC) or to both national classification and IPC

B. FIELDS SEARCHED

Minimum documentation searched (classification system followed by classification symbols)

U.S. : 52/309.9, 309.12 309.14, 309.17, 314, 316, Dig. 7; 264/31, 46.5, 46.4, 46.6, 46.7, 255, 309, Dig. 5; 156/78, 245; 428/15

Documentation searched other than minimum documentation to the extent that such documents are included in the fields searched

Electronic data base consulted during the international search (name of data base and, where practicable, search terms used)

EAST computer search

C. DOCUMENTS CONSIDERED TO BE RELEVANT

Category*	Citation of document, with indication, where appropriate, of the relevant passages	Relevant to claim No.
A	US 5,232,646 A (NASVIK et al.) 03 August 1993, Figs. 1 and 2.	1-25
Y	US 5,328,730 A (LOWE) 12 July 1994, Figs. 2 and 12.	1-25
Y	US 5,637,236 A (LOWE) 10 June 1997, Fig. 2.	1-25
X,P	US 6,060,006 A (SAVENOK) 09 May 2000, Figs. 3 and 4; cols. 2-5.	26-54

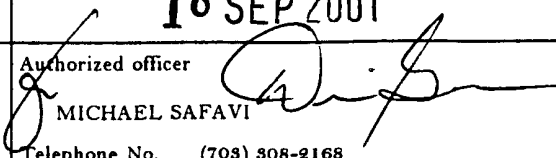
Further documents are listed in the continuation of Box C. See patent family annex.

* Special categories of cited documents:	"T"	Later document published after the international filing date or priority date and not in conflict with the application but cited to understand the principle or theory underlying the invention
"A" document defining the general state of the art which is not considered to be of particular relevance	"X"	document of particular relevance; the claimed invention cannot be considered novel or cannot be considered to involve an inventive step when the document is taken alone
"E" earlier document published on or after the international filing date	"Y"	document of particular relevance; the claimed invention cannot be considered to involve an inventive step when the document is combined with one or more other such documents, such combination being obvious to a person skilled in the art
"L" document which may throw doubts on priority claim(s) or which is cited to establish the publication date of another citation or other special reason (as specified)	"&"	document member of the same patent family
"O" document referring to an oral disclosure, use, exhibition or other means		
"P" document published prior to the international filing date but later than the priority date claimed		

Date of the actual completion of the international search
29 AUGUST 2001

Date of mailing of the international search report
18 SEP 2001

Name and mailing address of the ISA/US
Commissioner of Patents and Trademarks
Box PCT
Washington, D.C. 20231

Authorized officer

MICHAEL SAFAVI
Telephone No. (703) 308-2168

Facsimile No. (703) 305-3230

INTERNATIONAL SEARCH REPORT

International application No.
PCT/US01/06910

A. CLASSIFICATION OF SUBJECT MATTER:
US CL :

52/309.9, 309.14, 309.17, 314, 316; 264/46.5, 46.4, 46.6, 46.7, 255, 309; 156/245