



US00D883257S

(12) **United States Design Patent**
Duddy

(10) **Patent No.:** **US D883,257 S**

(45) **Date of Patent:** **** May 5, 2020**

- (54) **WIRELESS EARPHONE**
- (71) Applicant: **Logitech Europe S.A.**, Lausanne (CH)
- (72) Inventor: **Stephen Duddy**, Moama (AU)
- (73) Assignee: **LOGITECH EUROPE, S.A.**,
Lausanne (CH)
- (**) Term: **15 Years**
- (21) Appl. No.: **29/617,424**

D429,178 S * 8/2000 Yuen D10/116.1
 D487,455 S * 3/2004 Asahina D14/216
 D563,394 S * 3/2008 Donaldson D14/223
 D585,824 S * 2/2009 Ebodi D13/108
 D597,084 S * 7/2009 Gondo D14/223
 (Continued)

FOREIGN PATENT DOCUMENTS

CN 302973811 * 10/2014
 CN 303550867 * 1/2016
 (Continued)

Primary Examiner — T Chase Nelson
Assistant Examiner — Mary Claire Ramirez
 (74) *Attorney, Agent, or Firm* — Patterson & Sheridan,
 LLP

- (22) Filed: **Sep. 13, 2017**
- (51) **LOC (12) Cl.** **14-01**
- (52) **U.S. Cl.**
USPC **D14/223; D14/205**
- (58) **Field of Classification Search**
USPC D14/203.1, 204–206, 208–210, 212–217,
D14/219, 221–225, 249, 372, 433, 138 R,
D14/182, 188, 191–194, 172, 496;
D29/112; D28/41; D2/875;
D24/173–175, 106; D3/294, 273;
D13/118, 108, 119
CPC H04R 25/02; H04R 25/00; H04R 1/10;
H04R 1/1016; H04R 1/105; H04R
1/1083; H04R 1/02; H04R 1/1041; H04R
1/28; H04R 5/033; H04R 2420/07; H04R
2430/00; H04R 2430/01
See application file for complete search history.

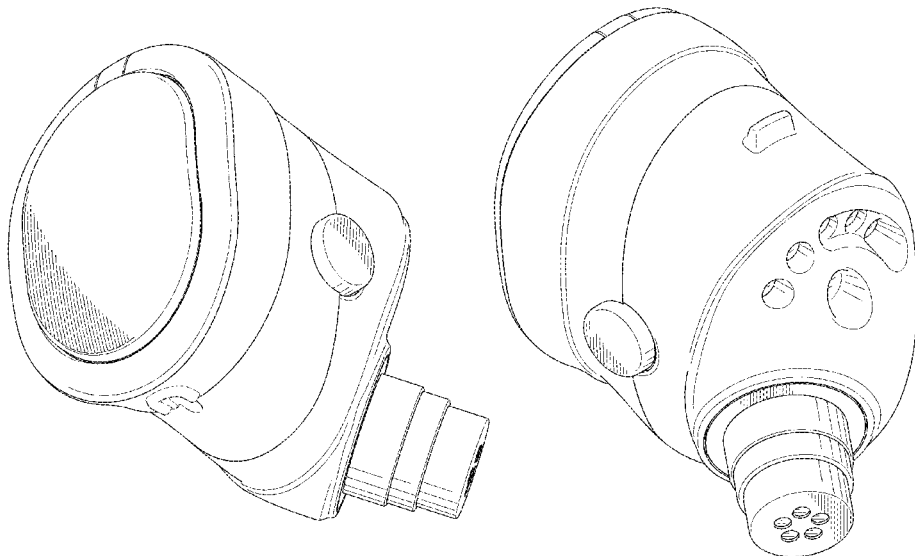
(57) **CLAIM**
 The ornamental design for a wireless earphone, as shown
 and described.

DESCRIPTION

FIG. 1 is a top isometric view of a front side of a wireless earphone showing the new design;
 FIG. 2 is a bottom isometric view of a front side thereof;
 FIG. 3 is a top isometric view of a rear side thereof;
 FIG. 4 is a front elevation view thereof;
 FIG. 5 is a side elevation view thereof;
 FIG. 6 is a rear elevation view thereof;
 FIG. 7 is a left side elevation view thereof;
 FIG. 8 is a top elevation view thereof;
 FIG. 9 is a bottom elevation view thereof; and,
 FIG. 10 is a top isometric view of the wireless earphone shown with an environment support.
 The broken lines shown in FIG. 10 show an environmental support in which the wireless earphone can be positioned that forms no part of the claimed design. All other broken lines shown in the drawings depict portions of the wireless earphone that form no part of the claimed design.

- (56) **References Cited**
U.S. PATENT DOCUMENTS
 D274,516 S * 7/1984 Walker, Jr. D14/249
 D333,468 S * 2/1993 Hansen D14/222
 D375,556 S * 11/1996 Narisawa D24/174
 5,781,638 A * 7/1998 Hosaka H04R 1/1016
 381/322
 D397,796 S * 9/1998 Yabe D24/174
 D401,588 S * 11/1998 Fushimi D14/222
 D405,528 S * 2/1999 Shennib D24/174

1 Claim, 10 Drawing Sheets



(56)

References Cited

U.S. PATENT DOCUMENTS

D601,548 S * 10/2009 Morisawa D14/223
D603,370 S * 11/2009 Suzuki D14/205
D606,521 S * 12/2009 Birger D14/223
D617,770 S * 6/2010 Sanguinetti D14/205
D626,117 S * 10/2010 Lowry D14/223
D637,999 S * 5/2011 Brunner D14/205
D642,163 S * 7/2011 Lee D14/223
D705,757 S * 5/2014 Yashiro H04R 1/10
D14/223
D708,164 S * 7/2014 Ishikura D14/205
D735,178 S * 7/2015 Yoon D14/240
D795,224 S * 8/2017 Valenzuela D14/223
D798,843 S * 10/2017 Valenzuela D14/223
D806,879 S * 1/2018 Horbinski D24/174
D812,042 S * 3/2018 Xiao D14/223
D817,309 S * 5/2018 Czaniecki D14/223
D833,420 S * 11/2018 Lindenberger D14/223
D841,626 S * 2/2019 Tang D14/223
D864,919 S * 10/2019 Bonahoom D14/223
D870,708 S * 12/2019 Lindenberger D14/223
D872,064 S * 1/2020 Cai D14/223
2017/0339480 A1 * 11/2017 Lee A61B 5/02438

FOREIGN PATENT DOCUMENTS

CN 303931455 * 11/2016
CN 304065761 * 3/2017
JP D1567613 * 1/2017
JP D1567619 * 1/2017

* cited by examiner

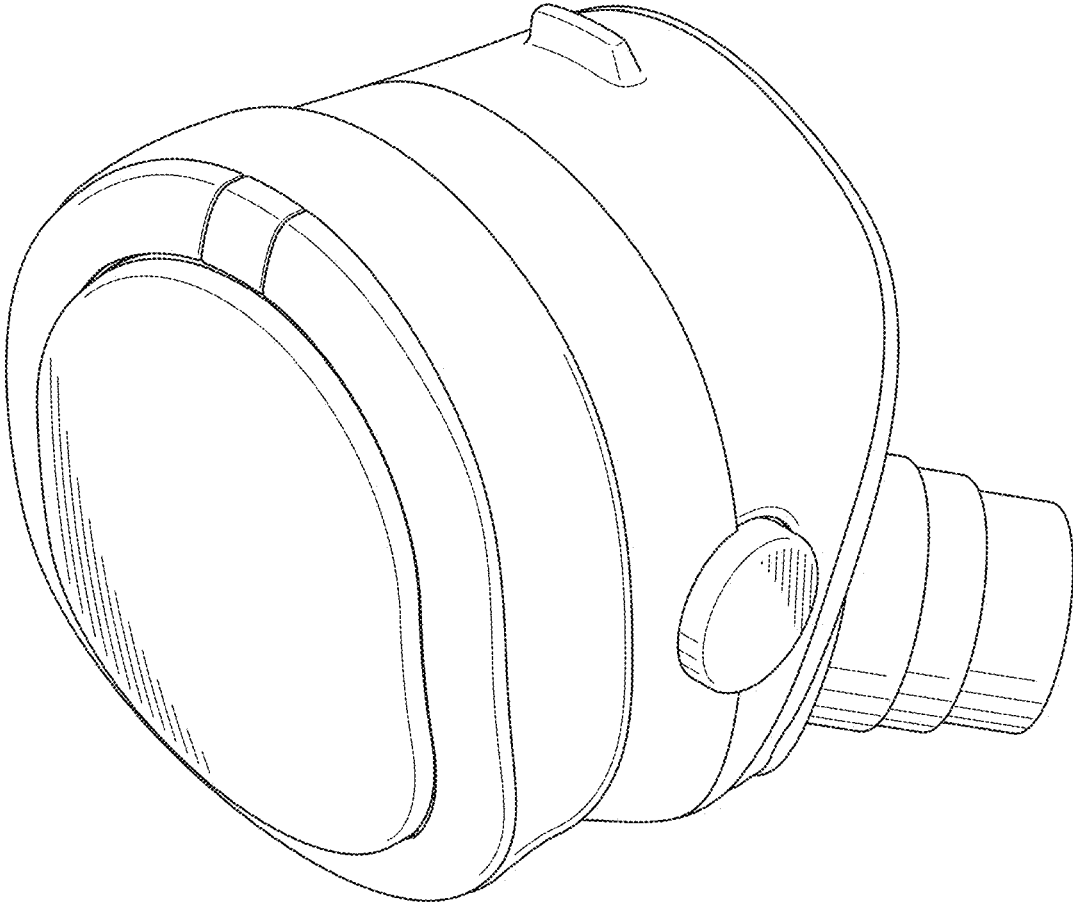


Fig. 1

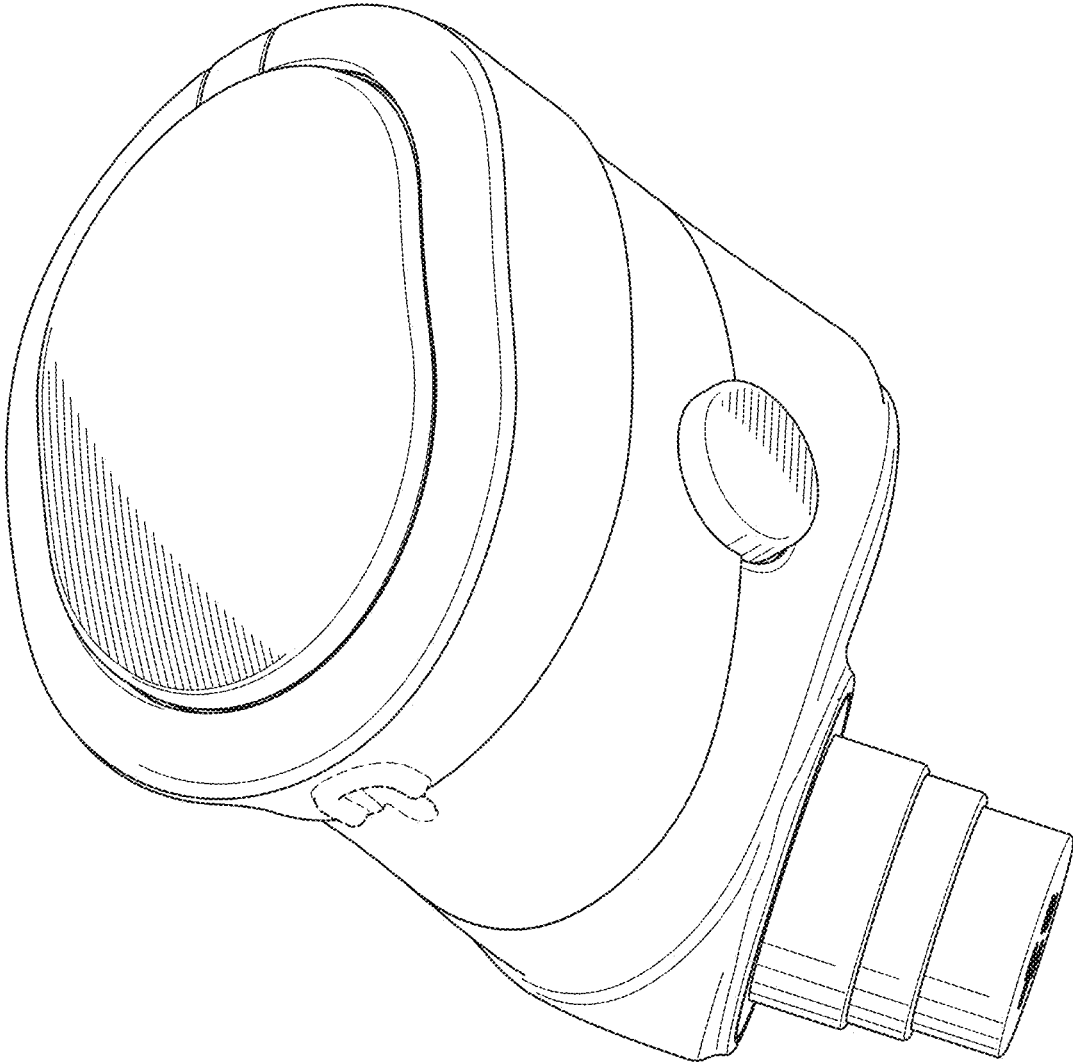


Fig. 2

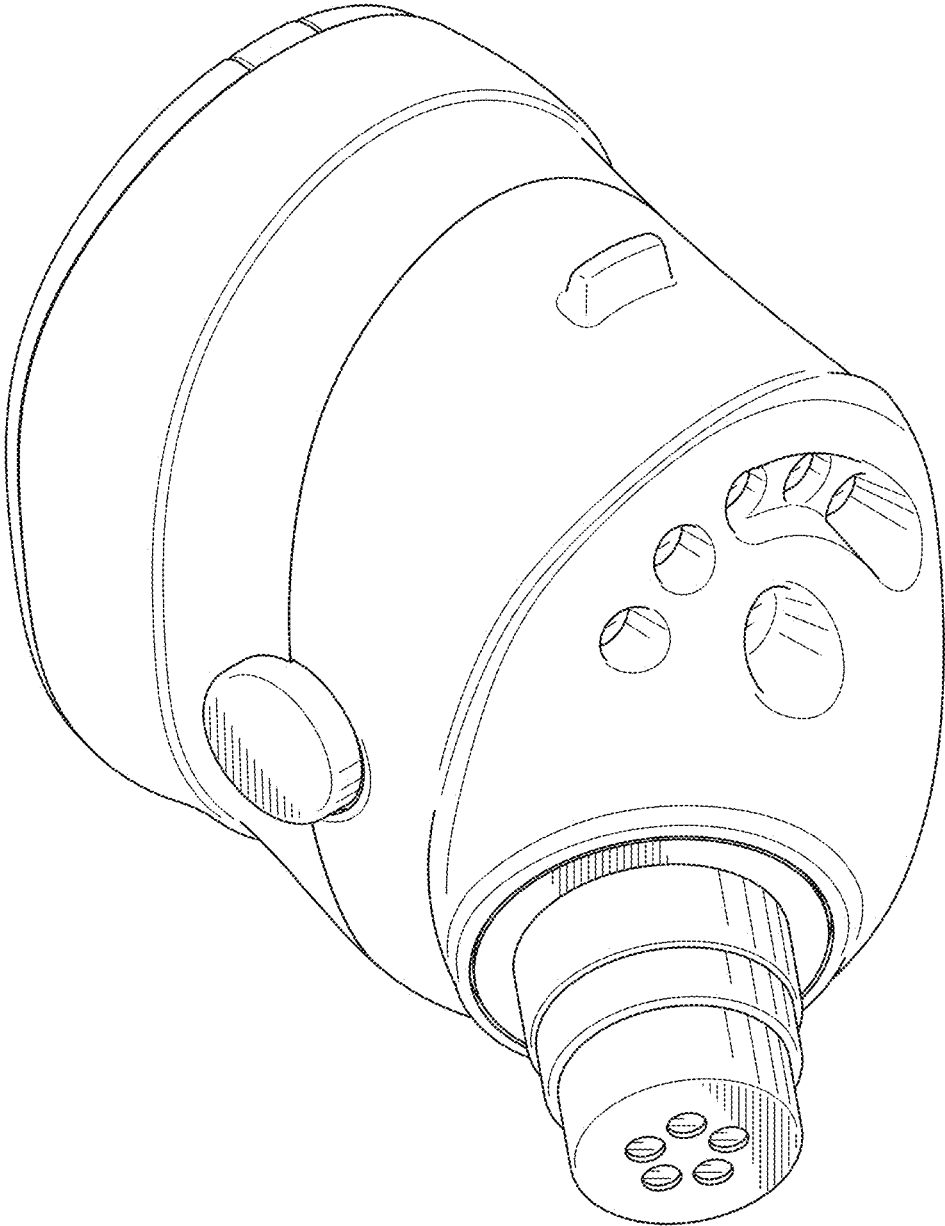


Fig. 3

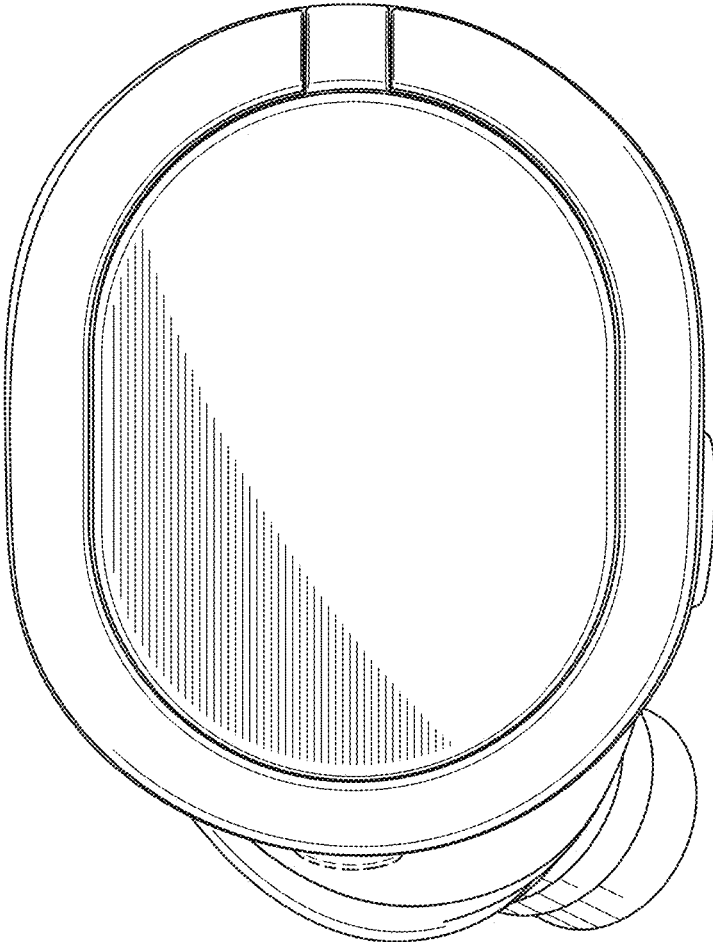


Fig. 4

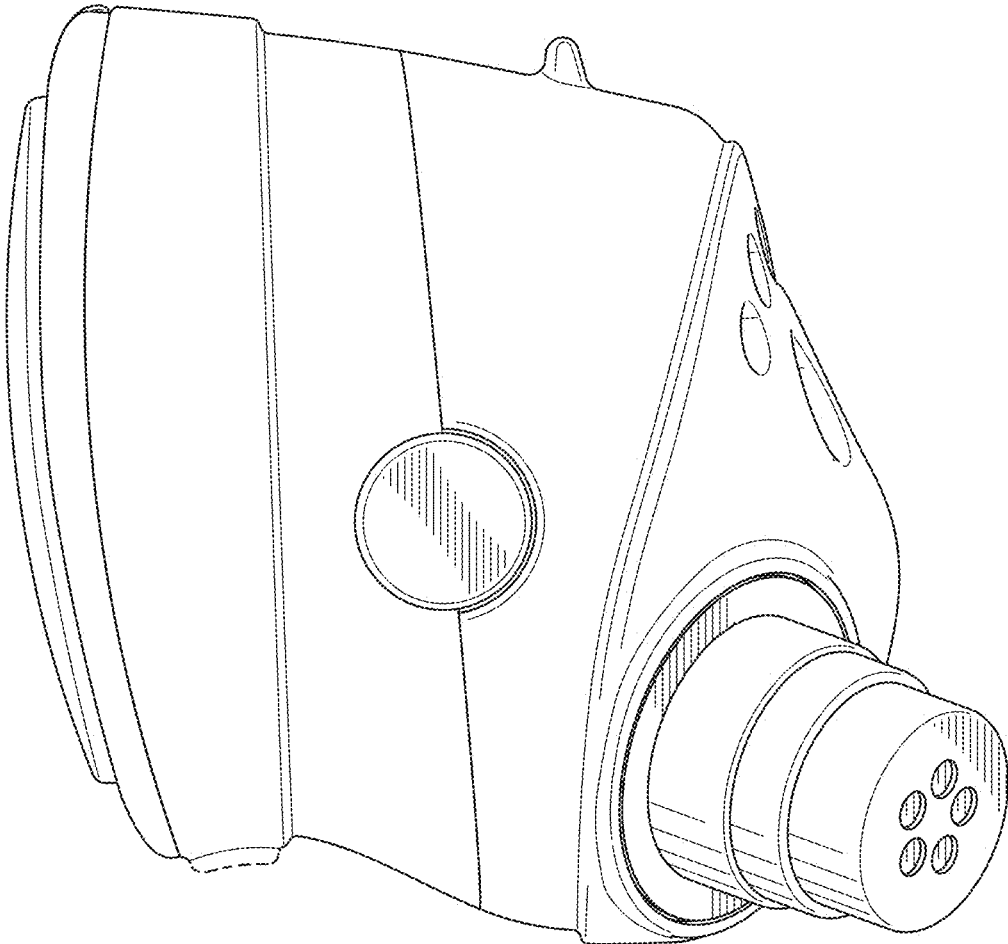


Fig. 5

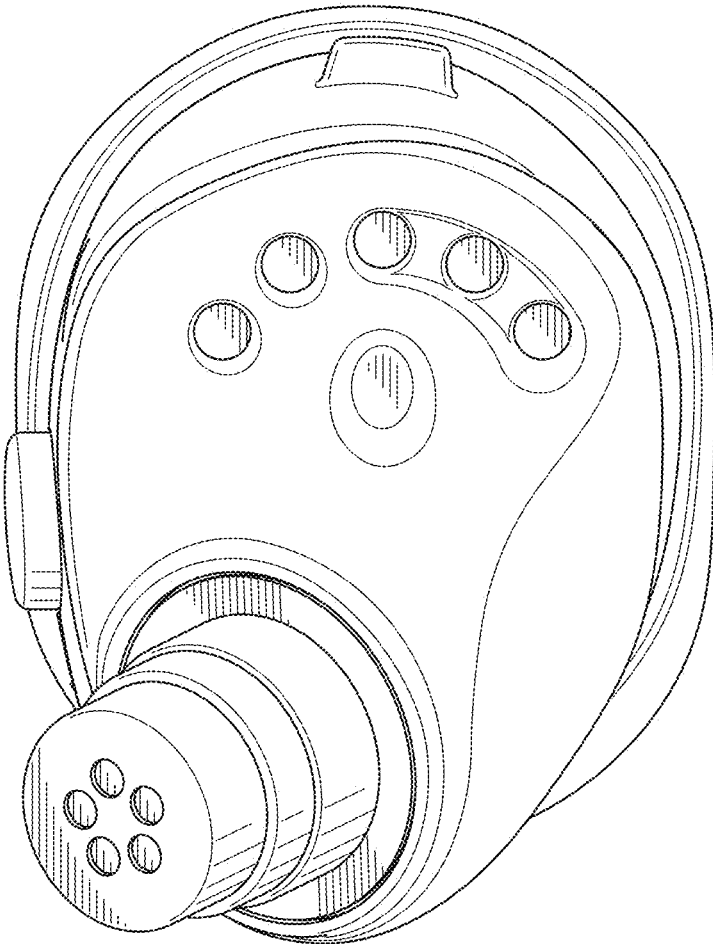


Fig. 6

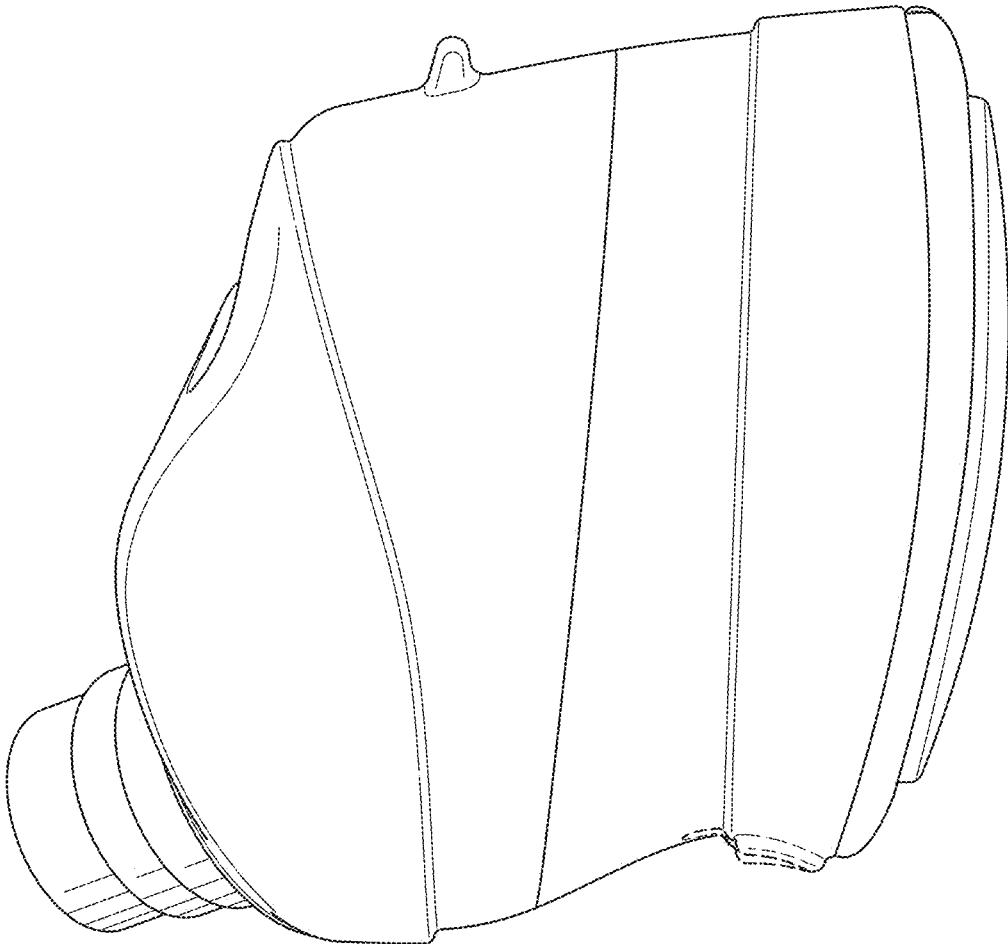


Fig. 7

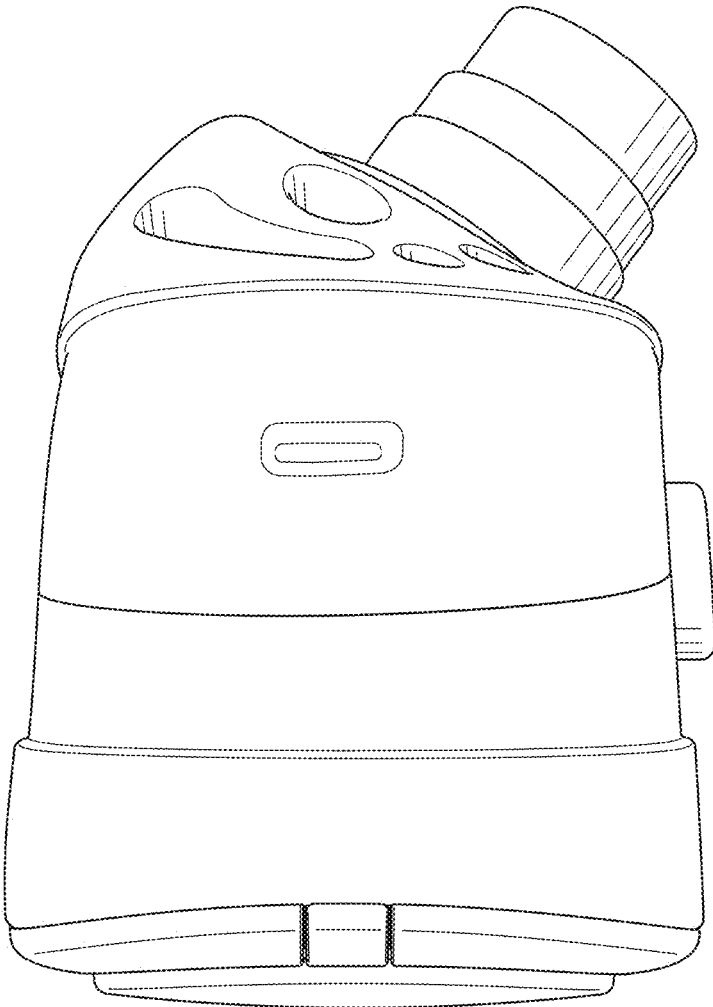


Fig. 8

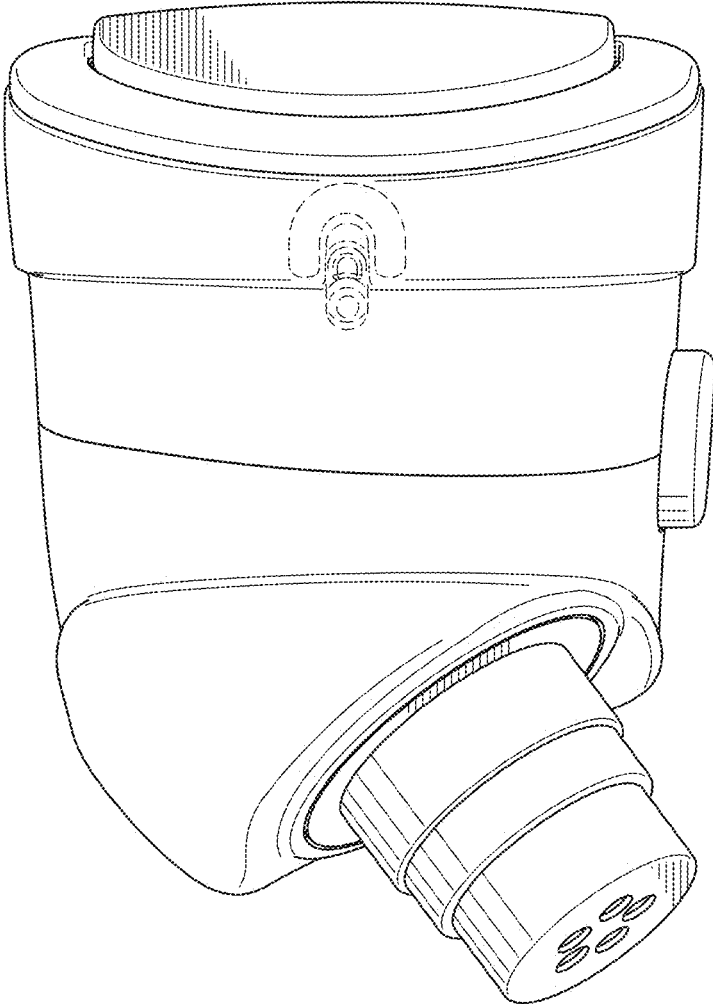


Fig. 9

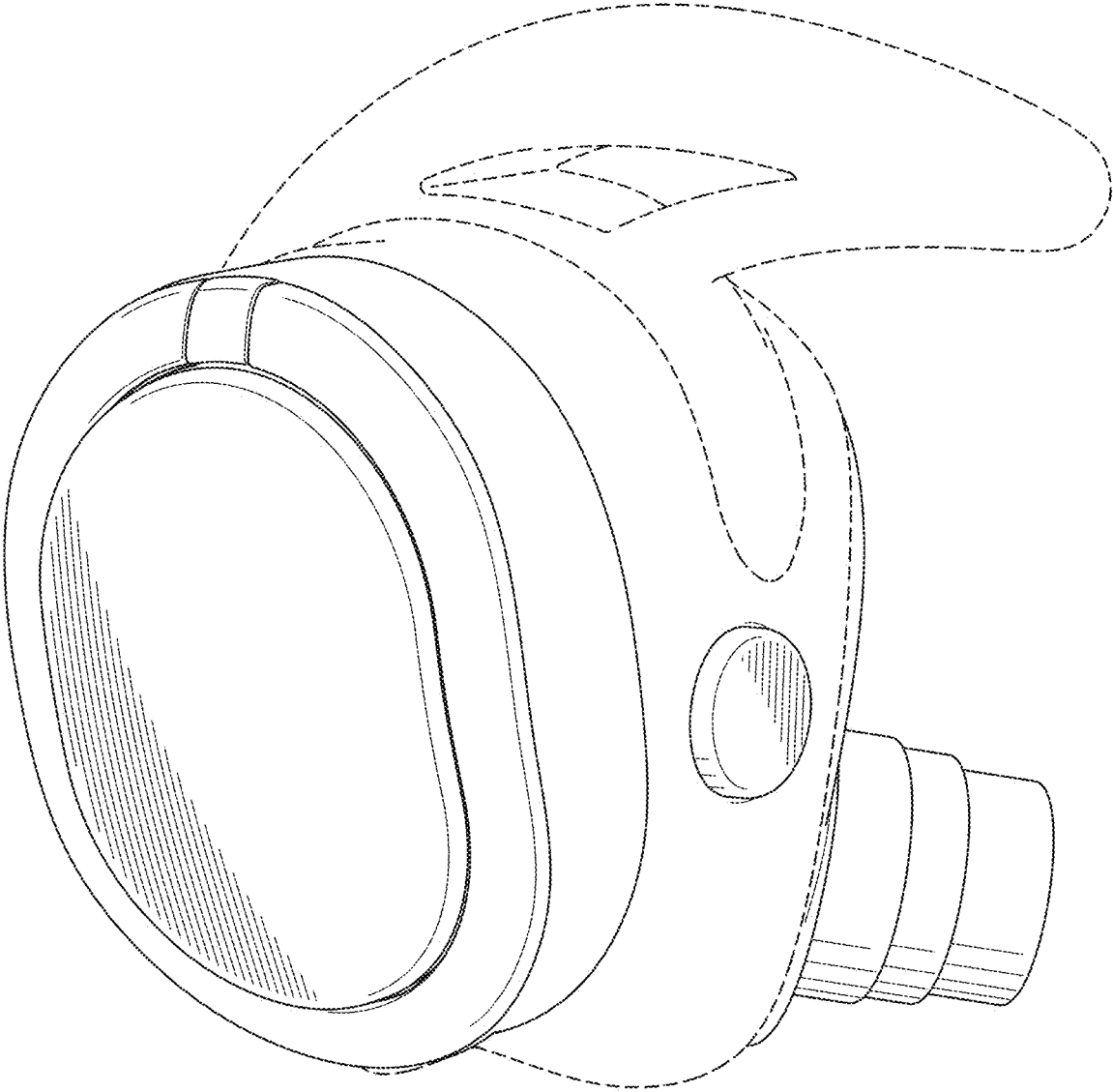


Fig. 10