

(19) World Intellectual Property Organization
International Bureau



(43) International Publication Date
18 March 2004 (18.03.2004)

PCT

(10) International Publication Number
WO 2004/023789 A2

- (51) International Patent Classification⁷: **H04N**
- (21) International Application Number:
PCT/US2003/028714
- (22) International Filing Date:
9 September 2003 (09.09.2003)
- (25) Filing Language: English
- (26) Publication Language: English
- (30) Priority Data:
60/409,407 9 September 2002 (09.09.2002) US
- (71) Applicant (for all designated States except US): **ROSUM CORPORATION** [US/US]; 1450 Veterans Blvd, Suite 100, Redwood City, CA 94063 (US).

- (81) Designated States (national): AE, AG, AL, AM, AT, AU, AZ, BA, BB, BG, BR, BY, BZ, CA, CH, CN, CO, CR, CU, CZ, DE, DK, DM, DZ, EC, EE, EG, ES, FI, GB, GD, GE, GH, GM, HR, HU, ID, IL, IN, IS, JP, KE, KG, KP, KR, KZ, LC, LK, LR, LS, LT, LU, LV, MA, MD, MG, MK, MN, MW, MX, MZ, NI, NO, NZ, OM, PG, PH, PL, PT, RO, RU, SC, SD, SE, SG, SK, SL, SY, TJ, TM, TN, TR, TT, TZ, UA, UG, US, UZ, VC, VN, YU, ZA, ZM, ZW.

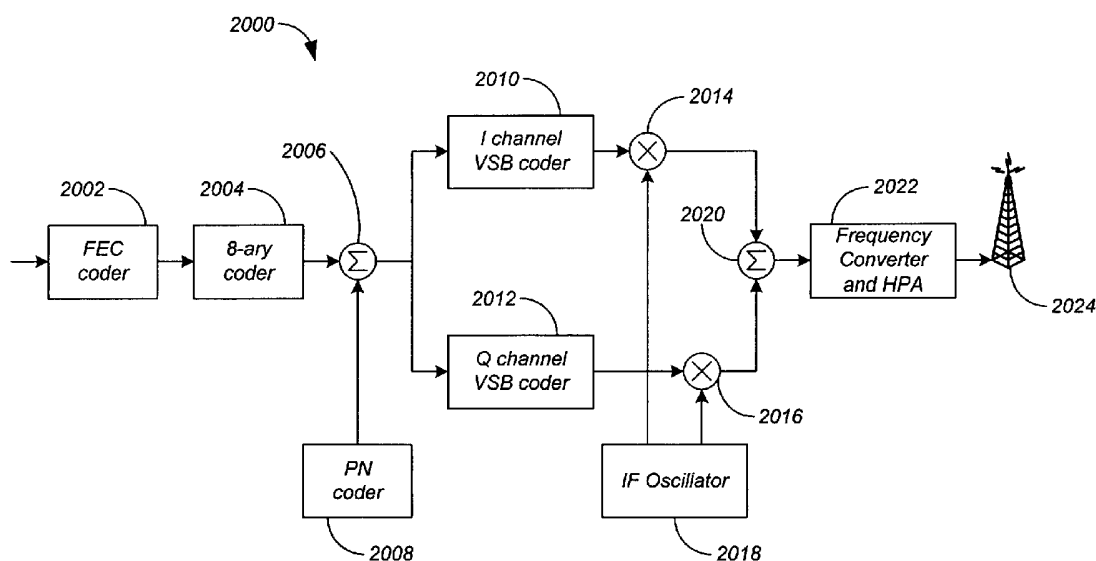
- (72) Inventors; and
- (75) Inventors/Applicants (for US only): **SPLKER, James, J., Jr.** [US/US]; 85 Roan Place, Woodside, CA 94062 (US). **OMURA, Jimmy, K.** [US/US]; 601 4th Street, Unit 123, San Francisco, CA 94107 (US).
- (74) Agent: **DUNNING, Richard, A., Jr.**; Law Office of Richard A. Dunning, Jr., 343 Soquel Avenue, Suite 311, Santa Cruz, CA 95062 (US).

- (84) Designated States (regional): ARIPO patent (GH, GM, KE, LS, MW, MZ, SD, SL, SZ, TZ, UG, ZM, ZW), Eurasian patent (AM, AZ, BY, KG, KZ, MD, RU, TJ, TM), European patent (AT, BE, BG, CH, CY, CZ, DE, DK, EE, ES, FI, FR, GB, GR, HU, IE, IT, LU, MC, NL, PT, RO, SE, SI, SK, TR), OAPI patent (BF, BJ, CF, CG, CI, CM, GA, GN, GQ, GW, ML, MR, NE, SN, TD, TG).

Published:
— without international search report and to be republished upon receipt of that report

For two-letter codes and other abbreviations, refer to the "Guidance Notes on Codes and Abbreviations" appearing at the beginning of each regular issue of the PCT Gazette.

(54) Title: POSITION LOCATION USING BROADCAST DIGITAL TELEVISION SIGNALS COMPRISING PSEUDONOISE SEQUENCES



(57) Abstract: A user terminal comprises a receiver adapted to receive, at the user terminal, a broadcast digital television signal transmitted by a television transmitter and comprising a pseudo-noise code; and a controller adapted to generate a pseudorange based on the pseudo noise-code; wherein the location of the user terminal is determined based on the pseudorange and a location of the television transmitter.

WO 2004/023789 A2

POSITION LOCATION USING BROADCAST DIGITAL TELEVISION SIGNALS COMPRISING PSEUDONOISE SEQUENCES

Inventors: **James J. Spilker, Jr.**
Jimmy K. Omura

5

CROSS-REFERENCE TO RELATED APPLICATIONS

[0001] This application claims the benefit of U.S. Provisional Patent Application Serial No. 60/409,407, "A Simple Modification to the Terrestrial ATSC Digital TV Standard to Overcome Rapidly Changing Multipath," by James J. Spilker, Jr. and Jimmy K. Omura, filed
10 September 9, 2002.

[0002] This application is a continuation-in-part of U.S. Patent Application Serial No. 10/210,847, "Position Location Using Broadcast Digital Television Signals" by James J. Spilker, Jr. and Matthew Rabinowitz, filed July 31, 2002; U.S. Patent Application Serial No. 09/932,010, "Position Location using Terrestrial Digital Video Broadcast Television Signals"
15 by Matthew Rabinowitz and James J. Spilker, Jr., filed August 17, 2001; U.S. Patent Application Serial No. 10/209,578, "Time-Gated Noncoherent Delay Lock Loop Tracking of Digital Television Signals," by James J. Spilker, Jr. and Matthew Rabinowitz, filed July 31, 2002; U.S. Patent Application Serial No. 10/159,478, "Position Location using Global Positioning Signals Augmented by Broadcast Television Signals," by Matthew Rabinowitz
20 and James J. Spilker, filed May 31, 2002, and U.S. Patent Application Serial No. 10/290,984, "Wireless Position Location Using the Japanese ISDB-T Digital TV Signals," by James J. Spilker, Jr. and Matthew Rabinowitz, filed November 8, 2002.

[0003] The foregoing applications are hereby incorporated herein by reference.

BACKGROUND

25 [0004] The present invention relates generally to position determination, and particularly to position determination using DTV signals.

[0005] There have long been methods of two-dimensional latitude/longitude position location systems using radio signals. In wide usage have been terrestrial systems such as

Loran C and Omega, and a satellite-based system known as Transit. Another satellite-based system enjoying increased popularity is the Global Positioning System (GPS).

[0006] Initially devised in 1974, GPS is widely used for position location, navigation, survey, and time transfer. The GPS system is based on a constellation of 24 on-orbit satellites in sub-synchronous 12 hour orbits. Each satellite carries a precision clock and transmits a pseudo-noise signal, which can be precisely tracked to determine pseudo-range. By tracking 4 or more satellites, one can determine precise position in three dimensions in real time, world-wide. More details are provided in B.W. Parkinson and J. J. Spilker, Jr., Global Positioning System-Theory and Applications, Volumes I and II, AIAA, Washington, DC. 1996.

[0007] GPS has revolutionized the technology of navigation and position location. However in some situations, GPS is less effective. Because the GPS signals are transmitted at relatively low power levels (less than 100 watts) and over great distances, the received signal strength is relatively weak (on the order of -160 dBw as received by an omni-directional antenna). Thus the signal is marginally useful or not useful at all in the presence of blockage or inside a building.

[0008] There has even been a proposed system using conventional analog National Television System Committee (NTSC) television signals to determine position. This proposal is found in a U.S. Patent entitled "Location Determination System And Method Using Television Broadcast Signals," U.S. Patent No. 5,510,801, issued April 23, 1996. However, the present analog TV signal contains horizontal and vertical synchronization pulses intended for relatively crude synchronization of the TV set sweep circuitry. Further, in 2006 the Federal Communication Commission (FCC) will consider turning off NTSC transmitters and reassigning that valuable spectrum so that it can be auctioned for other purposes deemed more valuable.

SUMMARY

I will complete this section after your review of this draft.

[0009] Advantages that can be seen in implementations of the invention include one or more of the following.

[0010] Advantages that can be seen in implementations of the invention include one or more of the following. Implementations of the invention may be used to position cellular telephones, wireless PDA's (personal digital assistant), pagers, cars, OCDMA (orthogonal code-division multiple access) transmitters and a host of other devices. Implementations of the inventions make use of a DTV signal which has excellent coverage over the United States, and the existence of which is mandated by the Federal Communication Commission. Implementations of the present invention require no changes to the Digital Broadcast Stations.

[0011] The DTV signal has a power advantage over GPS of more than 40dB, and substantially superior geometry to that which a satellite system could provide, thereby permitting position location even in the presence of blockage and indoors. The DTV signal has roughly six times the bandwidth of GPS, thereby minimizing the effects of multipath. Due to the high power and low duty factor of the DTV signal used for ranging, the processing requirements are minimal. Implementations of the present invention accommodate far cheaper, lower-speed, and lower-power devices than a GPS technique would require.

[0012] In contrast to satellite systems such as GPS, the range between the DTV transmitters and the user terminals changes very slowly. Therefore the DTV signal is not significantly affected by Doppler effects. This permits the signal to be integrated for a long period of time, resulting in very efficient signal acquisition.

[0013] The frequency of the DTV signal is substantially lower than that of conventional cellular telephone systems, and so has better propagation characteristics. For example, the DTV signal experiences greater diffraction than cellular signals, and so is less affected by hills and has a larger horizon. Also, the signal has better propagation characteristics through buildings and automobiles.

[0014] Unlike the terrestrial Angle-of-Arrival/Time-of-Arrival positioning systems for cellular telephones, implementations of the present invention require no change to the hardware of the cellular base station, and can achieve positioning accuracies on the order of 1 meter. When used to position cellular phones, the technique is independent of the air interface, whether GSM (global system mobile), AMPS (advanced mobile phone service), TDMA (time-division multiple access), CDMA, or the like. A wide range of UHF (ultra-high

frequency) frequencies has been allocated to DTV transmitters. Consequently, there is redundancy built into the system that protects against deep fades on particular frequencies due to absorption, multipath and other attenuating effects.

5 [0015] In general, in one aspect, the invention features a user terminal comprising a receiver adapted to receive, at the user terminal, a broadcast digital television signal transmitted by a television transmitter and comprising a pseudo-noise code; and a controller adapted to generate a pseudorange based on the pseudo-noise code; wherein the location of the user terminal is determined based on the pseudorange and a location of the television transmitter.

10 [0016] Particular implementations can include one or more of the following features. The broadcast digital television signal is an American Television Standards Committee (ATSC) digital television signal. The pseudonoise code is a Global Positioning System L5 code. Implementations comprise a processor adapted to determine the location of the user terminal based on the pseudorange and the location of the identified television transmitter.
15 Implementations comprise a time-gated delay-lock loop adapted to track the broadcast digital television signal.

[0017] In general, in one aspect, the invention features a user terminal comprising a receiver adapted to receive, at the user terminal, a broadcast digital television signal transmitted by a television transmitter and comprising a pseudonoise code; and a controller
20 adapted to generate a pseudorange based on the broadcast digital television signal, and to identify the television transmitter based on the pseudonoise code; wherein the location of the user terminal is determined based on the pseudorange and a location of the identified television transmitter.

[0018] Particular implementations can include one or more of the following features.
25 The broadcast digital television signal is an American Television Standards Committee (ATSC) digital television signal. The controller generates the pseudorange based on a known digital sequence comprising at least one of the pseudonoise code; a Field Synchronization Segment within an ATSC data frame, and a Synchronization Segment within a Data Segment within an ATSC data frame. The pseudonoise code is a Global Positioning System L5 code.
30 Implementations comprise a processor adapted to determine the location of the user terminal based on the pseudorange and the location of the identified television transmitter.

Implementations comprise a time-gated delay-lock loop adapted to track the broadcast digital television signal.

[0019] In general, in one aspect, the invention features a method, apparatus, and computer-readable media comprising receiving, at a user terminal, a broadcast digital television signal transmitted by a television transmitter and comprising a pseudo-noise code; and generating a pseudorange based on the pseudo-noise code; wherein the location of the user terminal is determined based on the pseudorange and a location of the television transmitter.

[0020] Particular implementations can include one or more of the following features. The broadcast digital television signal is an American Television Standards Committee (ATSC) digital television signal. The pseudorange code is a Global Positioning System L5 code. Implementations comprise determining the location of the user terminal based on the pseudorange and the location of the identified television transmitter.

[0021] In general, in one aspect, the invention features a method, apparatus, and computer-readable media comprising receiving, at a user terminal, a broadcast digital television signal transmitted by a television transmitter and comprising a pseudorange code; generating a pseudorange based on the broadcast digital television signal; and identifying the television transmitter based on the pseudorange code; wherein the location of the user terminal is determined based on the pseudorange and a location of the identified television transmitter.

[0022] Particular implementations can include one or more of the following features. The broadcast digital television signal is an American Television Standards Committee (ATSC) digital television signal. The pseudorange is generated based on a known digital sequence comprising at least one of the pseudorange code; a Field Synchronization Segment within an ATSC data frame, and a Synchronization Segment within a Data Segment within an ATSC data frame. The pseudorange code is a Global Positioning System L5 code. Implementations comprise determining the location of the user terminal based on the pseudorange and the location of the identified television transmitter.

[0023] The details of one or more implementations are set forth in the accompanying drawings and the description below. Other features will be apparent from the description and drawings, and from the claims.

DESCRIPTION OF DRAWINGS

- [0024] FIG. 1 depicts an implementation of the present invention including a user terminal that communicates over an air link with a base station.
- [0025] FIG. 2 illustrates an operation of an implementation of the invention.
- 5 [0026] FIG. 3 depicts the geometry of a position determination using 3 DTV transmitters.
- [0027] FIG. 4 depicts an implementation of a sampler for use in taking samples of received DTV signals.
- [0028] FIG. 5 depicts an implementation of a noncoherent correlator for use in
10 searching for the correlation peak of the DTV signal samples produced by the sampler of FIG. 4.
- [0029] FIG. 6 illustrates a simple example of a position location calculation for a user terminal receiving DTV signals from two separate DTV antennas.
- [0030] FIG. 7 depicts the effects of a single hill on a circle of constant range for a DTV
15 transmitter that is located at the same altitude as the surrounding land.
- [0031] FIG. 8 illustrates the structure of the ATSC frame.
- [0032] FIG. 9 illustrates the structure of the field synchronization segment of the ATSC frame.
- [0033] FIG. 10 illustrates the structure of the data segment of the ATSC frame.
- 20 [0034] FIG. 11 shows a plot of the gain function for a filter used in producing an ATSC DTV signal.
- [0035] FIG. 12 depicts an implementation of a monitor unit.
- [0036] FIG. 13 illustrates one implementation for tracking in software.
- [0037] FIG. 14 shows a plot of the output of the non-coherent correlator.
- 25 [0038] FIG. 15 displays an example spectrum for a 1 millisecond sample of the signal from a KICU channel 52 DTV broadcast from San Jose.
- [0039] FIG. 16 shows the computed autocorrelation function for the in-phase and quadrature component of the resulting 6MHz signal.
- [0040] FIG. 17 shows the characteristics of the 6MHz signal.
- 30 [0041] FIG. 18 depicts the results of a simulation of the operation of the correlator of FIG. 5.

[0042] FIG. 19 shows the general configuration of the digital TV repeater.

[0043] FIG. 20 shows an apparatus for adding the PN synchronization signal to the ATSC signal according to a first approach.

[0044] FIG. 21 shows an apparatus for adding the PN synchronization signal to the
5 ATSC signal according to a second approach.

[0045] The leading digit(s) of each reference numeral used in this specification indicates the number of the drawing in which the reference numeral first appears.

DETAILED DESCRIPTION

Introduction

10 [0046] Digital television (DTV) is growing in popularity. DTV was first implemented in the United States in 1998. As of the end of 2000, 167 stations were on the air broadcasting the DTV signal. As of February 28 2001, approximately 1200 DTV construction permits had been acted on by the FCC. According to the FCC's objective, all television transmission will soon be digital, and analog signals will be eliminated. Public broadcasting stations must be
15 digital by May 1, 2002 in order to retain their licenses. Private stations must be digital by May 1, 2003. Over 1600 DTV transmitters are expected in the United States.

[0047] These new DTV signals permit multiple standard definition TV signals or even high definition signals to be transmitted in the assigned 6 MHz channel. These new American
20 Television Standards Committee (ATSC) DTV signals are completely different from the analog NTSC TV signals, are transmitted on new 6 MHz frequency channels, and have completely new capabilities.

[0048] The inventors have recognized that the ATSC signal can be used for position location, and have developed techniques for doing so. These techniques are usable in the vicinity of ATSC DTV transmitters with a range from the transmitter much wider than the
25 typical DTV reception range. Because of the high power of the DTV signals, these techniques can even be used indoors by handheld receivers, and thus provide a possible solution to the position location needs of the Enhanced 911 (E911) system.

[0049] The techniques disclosed herein are also applicable to DTV signals as defined by the Digital Video Broadcasting (DVB) standard recently adopted by the European
30 Telecommunications Standards Institute (ETSI). For example, the techniques described

herein can be used with the scattered pilot carrier signals embedded within the DVB signal. The DVB scattered pilot carrier signals are a set of 868 uniformly-spaced pilot carrier signals, each of which is frequency hopped in a chirp-like fashion over four sequentially-increasing frequencies. These techniques are also applicable to DTV signals as defined by the Japanese Integrated Service Digital Broadcasting-Terrestrial (ISDB-T). These techniques are also applicable to other DTV signals, including those which transmit a known sequence of data.

[0050] In contrast to the digital pseudo-noise codes of GPS, the DTV signals are received from transmitters only a few miles distant, and the transmitters broadcast signals at levels up to the megawatt level. In addition the DTV antennas have significant antenna gain, on the order of 14 dB. Thus there is often sufficient power to permit DTV signal reception inside buildings.

[0051] Certain implementations of the present invention use only the DTV signal synchronization codes as opposed to demodulating and decoding the DTV 8-ary Vestigial Sideband Modulation (8VSB) data signal. Consequently, the DTV signal can be correlated for a period roughly a million times longer than the period of single data symbol. Thus the ability to track signals indoors at substantial range from the DTV tower is greatly expanded. Furthermore, through the use of digital signal processing it is possible to implement these new tracking techniques in a single semiconductor chip.

[0052] Some implementations use a pseudo-noise sequence in the DTV signal for position location. For example, it has been proposed to add a pseudo-noise sequence to the ATSC DTV signal in order to improve television reception in the presence of multipath. These implementations are not limited to the ATSC signal, but encompass any DTV signal comprising such a pseudo-noise sequence. These implementations are described in detail below.

[0053] Referring to FIG. 1, an example implementation 100 includes a user terminal 102 that communicates over an air link with a base station 104. In one implementation, user terminal 102 is a wireless telephone and base station 104 is a wireless telephone base station. In one implementation, base station 104 is part of a mobile MAN (metropolitan area network) or WAN (wide area network).

[0054] FIG. 1 is used to illustrate various aspects of the invention but the invention is not limited to this implementation. For example, the phrase “user terminal” is meant to refer to any object capable of implementing the DTV position location described. Examples of user terminals include PDAs, mobile phones, cars and other vehicles, and any object which could include a chip or software implementing DTV position location. It is not intended to be limited to objects which are “terminals” or which are operated by “users.”

Position Location Performed by a DTV Location Server

[0055] FIG. 2 illustrates an operation of implementation 100. User terminal 102 receives DTV signals from a plurality of DTV transmitters 106A and 106B through 106N (step 202).

[0056] Various methods can be used to select which DTV channels to use in position location. In one implementation, a DTV location server 110 tells user terminal 102 of the best DTV channels to monitor. In one implementation, user terminal 102 exchanges messages with DTV location server 110 by way of base station 104. In one implementation user terminal 102 selects DTV channels to monitor based on the identity of base station 104 and a stored table correlating base stations and DTV channels. In another implementation, user terminal 102 can accept a location input from the user that gives a general indication of the area, such as the name of the nearest city; and uses this information to select DTV channels for processing. In one implementation, user terminal 102 scans available DTV channels to assemble a fingerprint of the location based on power levels of the available DTV channels. User terminal 102 compares this fingerprint to a stored table that matches known fingerprints with known locations to select DTV channels for processing.

[0057] User terminal 102 determines a pseudo-range between the user terminal 102 and each DTV transmitter 106 (step 204). Each pseudo-range represents the time difference (or equivalent distance) between a time of transmission from a transmitter 108 of a component of the DTV broadcast signal and a time of reception at the user terminal 102 of the component, as well as a clock offset at the user terminal.

[0058] User terminal 102 transmits the pseudo-ranges to DTV location server 110. In one implementation, DTV location server 110 is implemented as a general-purpose computer executing software designed to perform the operations described herein. In another

implementation, DTV location server is implemented as an ASIC (application-specific integrated circuit). In one implementation, DTV location server 110 is implemented within or near base station 104.

[0059] The DTV signals are also received by a plurality of monitor units 108A through 108N. Each monitor unit can be implemented as a small unit including a transceiver and processor, and can be mounted in a convenient location such as a utility pole, DTV transmitters 106, or base stations 104. In one implementation, monitor units are implemented on satellites.

[0060] Each monitor unit 108 measures, for each of the DTV transmitters 106 from which it receives DTV signals, a time offset between the local clock of that DTV transmitter and a reference clock. In one implementation the reference clock is derived from GPS signals. The use of a reference clock permits the determination of the time offset for each DTV transmitter 106 when multiple monitor units 108 are used, since each monitor unit 108 can determine the time offset with respect to the reference clock. Thus, offsets in the local clocks of the monitor units 108 do not affect these determinations.

[0061] In another implementation, no external time reference is needed. According to this implementation, a single monitor unit receives DTV signals from all of the same DTV transmitters as does user terminal 102. In effect, the local clock of the single monitor unit functions as the time reference.

[0062] In one implementation, each time offset is modeled as a fixed offset. In another implementation each time offset is modeled as a second order polynomial fit of the form

$$\text{Offset} = a + b(t - T) + c(t - T)^2 \quad (1)$$

that can be described by a , b , c , and T . In either implementation, each measured time offset is transmitted periodically to the DTV location server using the Internet, a secured modem connection or the like. In one implementation, the location of each monitor unit 108 is determined using GPS receivers.

[0063] DTV location server 110 receives information describing the phase center (i.e., the location) of each DTV transmitter 106 from a database 112. In one implementation, the phase center of each DTV transmitter 106 is measured by using monitor units 108 at different

locations to measure the phase center directly. In another implementation, the phase center of each DTV transmitter 106 is measured by surveying the antenna phase center.

5 [0064] In one implementation, DTV location server 110 receives weather information describing the air temperature, atmospheric pressure, and humidity in the vicinity of user terminal 102 from a weather server 114. The weather information is available from the Internet and other sources such as NOAA. DTV location server 110 determines tropospheric propagation velocity from the weather information using techniques such as those disclosed in B. Parkinson and J. Spilker, Jr. Global Positioning System-Theory and Applications, AIAA, Washington, DC, 1996, Vol. 1, Chapter 17 Tropospheric Effects on GPS by J. Spilker, 10 Jr.

[0065] DTV location server 110 can also receive from base station 104 information which identifies a general geographic location of user terminal 102. For example, the information can identify a cell or cell sector within which a cellular telephone is located. This information is used for ambiguity resolution, as described below.

15 [0066] DTV location server 110 determines a position of the user terminal based on the pseudo-ranges and a location of each of the transmitters (step 206). FIG. 3 depicts the geometry of a position determination using three DTV transmitters 106. DTV transmitter 106A is located at position (x_1, y_1) . The range between user terminal 102 and DTV transmitter 106A is r_1 . DTV 106B transmitter is located at position (x_2, y_2) . The range 20 between user terminal 102 and DTV transmitter 106B is r_2 . DTV transmitter 106N is located at position (x_3, y_3) . The range between user terminal 102 and DTV transmitter 106N is r_3 .

[0067] DTV location server 110 may adjust the value of each pseudo-range according to the tropospheric propagation velocity and the time offset for the corresponding DTV transmitter 106. DTV location server 110 uses the phase center information from database 25 112 to determine the position of each DTV transmitter 106.

[0068] User terminal 102 makes three or more pseudo-range measurements to solve for three unknowns, namely the position (x, y) and clock offset T of user terminal 102. In other implementations, the techniques disclosed herein are used to determine position in three dimensions such as longitude, latitude, and altitude, and can include factors such as the 30 altitude of the DTV transmitters .

[0069] The three pseudo-range measurements pr_1 , pr_2 and pr_3 are given by

$$pr1 = r1 + T \quad (2)$$

$$pr2 = r2 + T \quad (3)$$

5

$$pr3 = r3 + T \quad (4)$$

The three ranges can be expressed as

10

$$r1 = |X - X1| \quad (5)$$

$$r2 = |X - X2| \quad (6)$$

$$r3 = |X - X3| \quad (7)$$

15

where X represents the two-dimensional vector position (x, y) of user terminal, $X1$ represents the two-dimensional vector position $(x1, y1)$ of DTV transmitter 106A, $X2$ represents the two-dimensional vector position $(x2, y2)$ of DTV transmitter 106B, and $X3$ represents the two-dimensional vector position $(x3, y3)$ of DTV transmitter 106N. These relationships produce three equations in which to solve for the three unknowns x , y , and T . DTV locations server 110 solves these equations according to conventional well-known methods. In an E911 application, the position of user terminal 102 is transmitted to E911 location server 116 for distribution to the proper authorities. In another application, the position is transmitted to user terminal 102.

25

[0070] In another implementation, user terminal 102 does not compute pseudo-ranges, but rather takes measurements of the DTV signals that are sufficient to compute pseudo-range, and transmits these measurements to DTV location server 110. DTV location server 110 then computes the pseudo-ranges based on the measurements, and computes the position based on the pseudo-ranges, as described above.

30

Position Location Performed by User Terminal

[0071] In another implementation, the position of user terminal 102 is computed by user terminal 102. In this implementation, all of the necessary information is transmitted to user terminal 102. This information can be transmitted to user terminal by DTV location
5 server 110, base station 104, one or more DTV transmitters 106, or any combination thereof. User terminal 102 then measures the pseudo-ranges and solves the simultaneous equations as described above. This implementation is now described.

[0072] User terminal 102 receives the time offset between the local clock of each DTV transmitter and a reference clock. User terminal 102 also receives information describing the
10 phase center of each DTV transmitter 106 from a database 112.

[0073] User terminal 102 receives the tropospheric propagation velocity computed by DTV locations server 110. In another implementation, user terminal 102 receives weather information describing the air temperature, atmospheric pressure, and humidity in the vicinity of user terminal 102 from a weather server 114. and determines tropospheric
15 propagation velocity from the weather information using conventional techniques.

[0074] User terminal 102 can also receive from base station 104 information which identifies the rough location of user terminal 102. For example, the information can identify a cell or cell sector within which a cellular telephone is located. This information is used for ambiguity resolution, as described below.

[0075] User terminal 102 receives DTV signals from a plurality of DTV transmitters
20 106 and determines a pseudo-range between the user terminal 102 and each DTV transmitter 106. User terminal 102 then determines its position based on the pseudo-ranges and the phase centers of the transmitters.

[0076] In any of these of the implementations, should only two DTV transmitters be
25 available, the position of user terminal 102 can be determined using the two DTV transmitters and the offset T computed during a previous position determination. The values of T can be stored or maintained according to conventional methods.

[0077] In one implementation, base station 104 determines the clock offset of user terminal 102. In this implementation, only two DTV transmitters are required for position
30 determination. Base station 104 transmits the clock offset T to DTV location server 110,

which then determines the position of user terminal 102 from the pseudo-range computed for each of the DTV transmitters.

[0078] In another implementation, when only one or two DTV transmitters are available for position determination, GPS is used to augment the position determination.

5

Receiver Architecture

[0079] FIG. 4 depicts an implementation 400 of a sampler for use in taking samples of received DTV signals. In one implementation, sampler 400 is implemented within user terminal 102. In another implementation, sampler 400 is implemented within monitor units
10 108. The sampling rate should be sufficiently high to obtain an accurate representation of the DTV signal, as would be apparent to one skilled in the art.

[0080] Sampler 400 receives a DTV signal 402 at an antenna 404. A radio frequency (RF) amp/filter 406 amplifies and filters the received DTV signal. A local oscillator clock 416 and mixers 408I and 408Q downconvert the signal to produce in-phase (I) and
15 quadrature (Q) samples, respectively. The I and Q samples are respectively filtered by low-pass filters (LPF) 410I and 410Q. An analog-to-digital converter (ADC) 412 converts the I and Q samples to digital form. The digital I and Q samples are stored in a memory 414.

[0081] FIG. 5 depicts an implementation 500 of a noncoherent correlator for use in searching for the correlation peak of the DTV signal samples produced by sampler 400. In
20 one implementation, correlator 500 is implemented within user terminal 102. In another implementation, correlator 500 is implemented within monitor units 108.

[0082] Correlator 500 retrieves the I and Q samples of a DTV signal from memory 414. Correlator 500 processes the samples at intermediate frequency (IF). Other implementations process the samples in analog or digital form, and can operate at intermediate frequency (IF)
25 or at baseband.

[0083] A code generator 502 generates a code sequence. In one implementation, the code sequence is a raised cosine waveform. The code sequence can be any known digital sequence in the ATSC frame. In one implementation, the code is a synchronization code. In one implementation, the synchronization code is a Field Synchronization Segment within an
30 ATSC data frame. In another implementation, the synchronization code is a Synchronization Segment within a Data Segment within an ATSC data frame. In still another implementation,

the synchronization code includes both the Field Synchronization Segment within an ATSC data frame and the Synchronization Segments within the Data Segments within an ATSC data frame.

5 [0084] In other implementations, the code sequence comprises one or more pseudo-noise sequences in the DTV signal. For example, the code sequence can include the new L5 GPS signals or similar signals, as described in detail below. In some implementations, the code sequence includes such a pseudo-noise signal and one or more other signals such as the Field Synchronization Segment within an ATSC data frame and the Synchronization Segment within a Data Segment within an ATSC data frame.

10 [0085] Other components of the DTV signal, such as pilot, symbol clock, or carrier, can be used for position location. However, the use of such signals, which have a high repetition rate, produces inherent ambiguities. Techniques for resolving such ambiguities are well-known in the art. One such technique is disclosed in M. Rabinowitz, PhD Thesis: A Differential Carrier Phase Navigation System Combining GPS with Low Earth Orbit
15 Satellites for Rapid Resolution of Integer Cycle Ambiguities, 2000, Department of Electrical Engineering, Stanford University, pages 59-76.

[0086] Mixers 504I and 504Q respectively combine the I and Q samples with the code generated by code generator 502. The outputs of mixers 504I and 504Q are respectively filtered by filters 506I and 506Q and provided to summer 507. The sum is provided to square
20 law device 508. Filter 509 performs an envelope detection for non-coherent correlation, according to conventional methods. Comparator 510 compares the correlation output to a predetermined threshold. If the correlation output falls below the threshold, search control 512 causes summer 514 to add additional pulses to the clocking waveform produced by clock 516, thereby advancing the code generator by one symbol time, and the process repeats. In a
25 preferred embodiment, the clocking waveform has a nominal clock rate of 10.76 MHz, matching the clock rate or symbol rate the received DTV signals.

[0087] When the correlation output first exceeds the threshold, the process is done. The time offset that produced the correlation output is used as the pseudo-range for that DTV transmitter 106.

30 [0088] In receiver correlators and matched filters there are two important sources of receiver degradation. The user terminal local oscillator is often of relatively poor stability in

frequency. This instability affects two different receiver parameters. First, it causes a frequency offset in the receiver signal. Second, it causes the received bit pattern to slip relative to the symbol rate of the reference clock. Both of these effects can limit the integration time of the receiver and hence the processing gain of the receiver. The integration time can be increased by correcting the receiver reference clock. In one implementation a delay lock loop automatically corrects for the receiver clock.

[0089] In another implementation a NCO (numerically controlled oscillator) 518 adjusts the clock frequency of the receiver to match that of the incoming received signal clock frequency and compensate for drifts and frequency offsets of the local oscillator in user terminal 102. Increased accuracy of the clock frequency permits longer integration times and better performance of the receiver correlator. The frequency control input of NCO 518 can be derived from several possible sources, a receiver symbol clock rate synchronizer, tracking of the ATSC pilot carrier, or other clock rate discriminator techniques installed in NCO 518.

Position Location Enhancements

[0090] FIG. 6 illustrates a simple example of a position location calculation for a user terminal 102 receiving DTV signals from two separate DTV antennas 106A and 106B. Circles of constant range 602A and 602B are drawn about each of transmit antennas 106A and 106B, respectively. The position for a user terminal, including correction for the user terminal clock offset, is then at one of the intersections 604A and 604B of the two circles 602A and 602B. The ambiguity is resolved by noting that base station 104 can determine in which sector 608 of its footprint (that is, its coverage area) 606 the user terminal is located. Of course if there are more than two DTV transmitters in view, the ambiguity can be resolved by taking the intersection of three circles.

[0091] In one implementation, user terminal 102 can accept an input from the user that gives a general indication of the area, such as the name of the nearest city. In one implementation, user terminal 102 scans available DTV channels to assemble a fingerprint of the location. User terminal 102 compares this fingerprint to a stored table that matches known fingerprints with known locations to identify the current location of user terminal 102.

[0092] In one implementation the position location calculation includes the effects of ground elevation. Thus in terrain with hills and valleys relative to the phase center of the

DTV antenna 106 the circles of constant range are distorted. FIG. 7 depicts the effects of a single hill 704 on a circle of constant range 702 for a DTV transmitter 106 that is located at the same altitude as the surrounding land.

5 [0093] The computations of user position are easily made by a simple computer having as its database a terrain topographic map which allows the computations to include the effect of user altitude on the surface of the earth, the geoid. This calculation has the effect of distorting the circles of constant range as shown in FIG. 7.

ATSC Signal Description

10 [0094] The current ATSC signal is described in "ATSC Digital Television Standard and Amendment No. 1," March 16, 2000, by the Advanced Television Systems Committee. The ATSC signal uses 8-ary Vestigial Sideband Modulation (8VSB). The symbol rate of the ATSC signal is 10.762237 MHz, which is derived from a 27.000000MHz clock. The structure 800 of the ATSC frame is illustrated in FIG. 8. The frame 800 consists of a total of
15 626 segments, each with 832 symbols, for a total of 520832 symbols. There are two field synchronization segments in each frame. Following each field synchronization segment are 312 data segments. Each segment begins with 4 symbols that are used for synchronization purposes.

[0095] The structure 900 of the field synchronization segment is illustrated in FIG. 9.
20 The two field synchronization segments 900 in a frame 800 differ only to the extent that the middle set of 63 symbols are inverted in the second field synchronization segment.

[0096] The structure 1000 of the data segment is illustrated in FIG. 10. The first four symbols of data segment 1000 (which are -1, 1, 1, -1) are used for segment synchronization. The other 828 symbols in data segment 1000 carry data. Since the modulation scheme is
25 8VSB, each symbol carries 3 bits of coded data. A rate 2/3 coding scheme is used.

[0097] Implementations of the invention can be extended to use future enhancements to DTV signals. For example, the ATSC signal specification allows for a high rate 16VSB signal. However, the 16VSB signal has the same field synch pattern as the 8VSB signal. Therefore, a single implementation of the present invention can be designed to work equally
30 well with both the 8VSB and the 16VSB signal.

[0098] The 8VSB signal is constructed by filtering. The in-phase segment of the symbol pulse has a raised-cosine characteristic, as described in J.G. Proakis, Digital Communications, McGraw-Hill, 3rd edition, 1995. The pulse can be described as

$$p(t) = \text{sinc}\left(\frac{\pi t}{T}\right) \frac{\cos\left(\frac{\pi \beta t}{T}\right)}{1 - \frac{4\beta^2 t^2}{T^2}} \quad (8)$$

5 where T is the symbol period

$$T = \frac{1}{10.76 \times 10^6} \quad (9)$$

and $\beta = 0.5762$. This signal has a frequency characteristic

$$P(f) = \begin{cases} \left\{ \frac{T}{2} \left[1 + \cos \left[\frac{\pi T}{\beta} \left(|f| - \frac{1-\beta}{2T} \right) \right] \right] \right\} & \begin{matrix} \left(0 \leq |f| \leq \frac{1-\beta}{2T} \right) \\ \left(\frac{1-\beta}{2T} \leq |f| \leq \frac{1+\beta}{2T} \right) \end{matrix} \\ 0 & \left(|f| > \frac{1+\beta}{2T} \right) \end{cases} \quad (10)$$

10 from which it is clear that the one-sided bandwidth of the signal is $(1+\beta)10.762237\text{MHz} = 5.38\text{MHz} + 0.31\text{MHz}$. In order to create a VSB signal from this in-phase pulse, the signal is filtered so that only a small portion of the lower sideband remains. This filtering can be described as:

$$15 \quad P_v(f) = P(f)(U(f) - H_\alpha(f)) \quad (11)$$

where

$$U(f) = \begin{cases} 1, & f \geq 0 \\ 0, & f < 0 \end{cases} \quad (12)$$

20

where $H_\alpha(f)$ is a filter designed to leave a vestigial remainder of the lower sideband. A plot of the gain function for $H_\alpha(f)$ is shown in FIG. 11. The filter satisfies the characteristics $H_\alpha(-f) = -H_\alpha(f)$ and $H_\alpha(f) = 0, f > \alpha$.

The response $U(f)P(f)$ can be represented as

5

$$U(f)P(f) = \frac{1}{2}(P(f) + j\hat{P}(f)) \quad (13)$$

where $\hat{P}(f) = -j \operatorname{sgn}(f)P(f)$ is the Hilbert transform of $P(f)$. The VSB pulse may be represented as

10

$$P_v(f) = \frac{1}{2}X(f) + \frac{j}{2}(X(f) + 2X(f)H_\alpha(f)) \quad (14)$$

and the baseband pulse signal

$$p_v(t) = \frac{1}{2}x(t) + \frac{j}{2}(x(t) + x_\alpha(t)) = p_{vi}(t) + jp_{vq}(t) \quad (15)$$

15 where $p_{vi}(t)$ is the in-phase component, $p_{vq}(t)$ is the quadrature component, and

$$x_\alpha(t) = 2 \int_{-\alpha}^{\alpha} X(f)H_\alpha(f)e^{j2\pi ft} df \quad (16)$$

[0099] Before the data is transmitted, the ATSC signal also embeds a carrier signal,
20 which has -11.5dB less power than the data signal. This carrier aids in coherent demodulation of the signal. Consequently, the transmitted signal can be represented as:

$$s(t) = \sum_n C_n \{p_{vi}(t - nT) \cos(\omega t) - p_{vq}(t - nT) \sin(\omega t)\} + A \cos(\omega t) \quad (17)$$

25 where C_n is the 8-level data signal.

Monitor Units

[0100] FIG. 12 depicts an implementation 1200 of monitor unit 108. An antenna 1204 receives GPS signals 1202. A GPS time transfer unit 1206 develops a master clock signal based on the GPS signals. In order to determine the offset of the DTV transmitter clocks, a NCO (numerically controlled oscillator) field synchronization timer 1208A develops a master synchronization signal based on the master clock signal. The master synchronization signal can include one or both of the ATSC segment synchronization signal and the ATSC field synchronization signal. In one implementation, the NCO field synchronization timers 1208A in all of the monitor units 108 are synchronized to a base date and time. In implementations where a single monitor unit 108 receives DTV signals from all of the same DTV transmitters that user terminal 102 does, it is not necessary to synchronize that monitor unit 108 with any other monitor unit for the purposes of determining the position of user terminal 102. Such synchronization is also unnecessary if all of the monitor stations 108, or all of the DTV transmitters, are synchronized to a common clock.

[0101] A DTV antenna 1212 receives a plurality of DTV signals 1210. In another implementation, multiple DTV antennas are used. An amplifier 1214 amplifies the DTV signals. One or more DTV tuners 1216A through 1216N each tunes to a DTV channel in the received DTV signals to produce a DTV channel signal. Each of a plurality of NCO field synchronization timers 1208B through 1208M receives one of the DTV channel signals. Each of NCO field synchronization timers 1208B through 1208M extracts a channel synchronization signal from a DTV channel signal. The channel synchronization signal can include one or more pseudonoise codes, the ATSC segment synchronization signal, the ATSC field synchronization signal, or any combination thereof. Note that the pilot signal and symbol clock signal within the DTV signal can be used as acquisition aids.

[0102] Each of a plurality of summers 1218A through 1218N generates a clock offset between the master synchronization signal and one of the channel synchronization signals. Processor 1220 formats and sends the resulting data to DTV location server 110. In one implementation, this data includes, for each DTV channel measured, the identification number of the DTV transmitter, the DTV channel number, the antenna phase center for the DTV transmitter, and the clock offset. This data can be transmitted by any of a number of methods including air link and the Internet. In one implementation, the data is broadcast in spare MPEG packets on the DTV channel itself.

Software Receivers

[0103] One thorough approach to mitigating the effects of multipath is to sample an entire autocorrelation function, rather than to use only early and late samples as in a hardware
 5 setup. Multipath effects can be mitigated by selecting the earliest correlation peak.

[0104] In the case that position can be computed with a brief delay, such as in E911 applications, a simple approach is to use a software receiver, which samples a sequence of the filtered signal, and then processes the sample in firmware on a DSP.

[0105] FIG. 13 illustrates one implementation 1300 for tracking in software. An
 10 antenna 1302 receives a DTV signal. Antenna 1302 can be a magnetic dipole or any other type of antenna capable of receiving DTV signals. A bandpass filter 1304 passes the entire DTV signal spectrum to an LNA 1306. In one implementation, filter 1304 is a tunable bandpass filter that passes the spectrum for a particular DTV channel under the control of a digital signal processor (DSP) 1314.

[0106] A low-noise amplifier (LNA) 1306 amplifies and passes the selected signal to a
 15 DTV channel selector 1308. DTV channel selector 1308 selects a particular DTV channel under the control of DSP 1314, and filters and downconverts the selected channel signal from UHF (ultra-high frequency) to IF (intermediate frequency) according to conventional methods. An amplifier (AMP) 1310 amplifies the selected IF channel signal. An analog-to-
 20 digital converter and sampler (A/D) 1312 produces digital samples of the DTV channel signal $s(t)$ and passes these samples to DSP 1314.

[0107] Now the processing of the DTV channel signal by DSP 1314 is described for a
 coherent software receiver. A nominal offset frequency for the downconverted sampled signal is assumed. If this signal is downconverted to baseband, the nominal offset is 0Hz. The
 25 process generates the complete autocorrelation function based on samples of a signal $s(t)$. The process may be implemented far more efficiently for a low duty factor signal. Let T_i be the period of data sampled, ω_{in} be the nominal offset of the sampled incident signal, and let ω_{offset} be the largest possible offset frequency, due to Doppler shift and oscillator frequency drift. The process implements the pseudocode listed below.

30

- $R_{max} = 0$

- Create a complex code signal

$$s_{code}(t) = \sum \bar{C}_n \{p_{vi}(t - nT_i) + jp_{vq}(t - nT_i)\}$$

where \bar{C}_n is zero for all symbols corresponding to data signals and non-zero for all symbols corresponding to synchronization signals.

- 5 • For $\omega = \omega_{in} - \omega_{offset}$ to $\omega_{in} + \omega_{offset}$ step $0.5 \frac{\pi}{T_i}$

- Create a complex mixing signal

$$s_{mix}(t) = \cos(\omega t) + j \sin(\omega t), t = [0 \dots T_i]$$

- Combine the incident signal $s(t)$ and the mixing signal $s_{mix}(t)$

$$s_{comb}(t) = s(t)s_{mix}(t)$$

- 10 • Compute the correlation function $R(\tau) = s_{code} * s_{comb}(\tau)$

- If $\max_{\tau} |R(\tau)| > R_{max}$,

$$R_{max} \leftarrow \max_{\tau} |R(\tau)|, R_{store}(\tau) = R(\tau)$$

- Next ω

- 15 **[0108]** Upon exit from the process, $R_{store}(\tau)$ will store the correlation between the incident signal $s(t)$ and the complex code signal $s_{code}(t)$. $R_{store}(\tau)$ may be further refined by searching over smaller steps of ω . The initial step size for ω must be less than half the

Nyquist rate $\frac{2\pi}{T_i}$.

- 20 **[0109]** The time offset τ that produces the maximum correlation output is used as the pseudo-range.

- 25 **[0110]** A technique for generating the non-coherent correlation in software is now described. This approach emulates the hardware receivers of FIGS. 4 and 5. Note that while the I and Q channels are treated separately in the block diagrams, the I and Q components may be combined to generate the mixing signal in software. Since the non-coherent correlator uses envelope detection, it is not necessary to search over a range of intermediate frequencies. The process implements the pseudocode listed below.

- Create the in-phase and quadrature code signals

$c_i(t) = \sum \bar{C}_n p_{vi}(t - nT_i)$, $c_q(t) = \sum \bar{C}_n p_{vq}(t - nT_i)$ where the sum is over n , \bar{C}_n is zero for all symbols corresponding to data signals and non-zero for all symbols corresponding to synchronization signals. Note that c_i has autocorrelation R_i , c_q has autocorrelation R_q , and that their cross-correlation is R_y .

5

- For $\tau = 0$ to T_{per} step T_{samp} where T_{per} is the period of the code being used, and T_{samp} is the sample interval

- Create a reference code mixing signal

$$s_{mix}(t) = c_i(t + \tau) \cos(\omega t + \nu t + \phi) + c_q(t + \tau) \sin(\omega t + \nu t + \phi)$$

10

where ω is the nominal IF frequency of the incident signal, ν is the frequency offset of the mixing signal relative to the incident signal, and ϕ is the phase offset of the mixing signal from the incident signal.

- Combine the incident signal $s(t)$ and the reference code mixing signal $s_{mix}(t)$.

$$s_{comb}(t) = s(t) s_{mix}(t)$$

15

- Low-pass filter $s_{comb}(t)$ to generate $s_{filt}(t)$ such that the expected value of $s_{filt}(t)$ is given by $E[s_{filt}(t)] = 2R_i(\tau) \cos(\nu t + \phi) + 2R_{iq}(\tau) \sin(\nu t + \phi)$ where we have used that fact that $R_i(\tau) = -R_q(\tau)$

- Perform envelope detection on $s_{filt}(t)$ (for example, by squaring and filtering) to generate the non-coherent correlation: $z(\tau) = 2[R_i(\tau)^2 + R_{iq}(\tau)^2]$

20

- Next τ

[0111] The time offset τ that produces the maximum correlation output is used as the pseudo-range.

[0112]. Notice that the non-coherent correlation $z(\tau)$ makes use of the signal power in both the in-phase and quadrature components. However, as a result of this, the effective bandwidth of the signal that generates the non-coherent correlation is halved. The output of the non-coherent correlator is illustrated in FIG. 14. The upper plot shows the correlation

25

peak for an interval of roughly 8×10^{-5} seconds. The upper plot shows the effective 3MHz bandwidth of the correlation peak.

Experimental Results

5 [0113] A technique similar to that described above for tracking in software was applied to DTV transmissions arising from San Jose, California and received indoors in Palo Alto, California. This example is presented for illustration purposes and not to limit the scope of the present invention. FIG. 15 displays an example spectrum for a 1 millisecond sample of the signal from a KICU channel 52 DTV broadcast from San Jose. The signal was
10 downconverted to a center frequency of 27MHz, which corresponds to a digital frequency of 0.54 for a sampling rate of 100 mega-samples per second. The signal was digitally bandpass filtered to a bandwidth of 6MHz.

[0114] The computed autocorrelation function for the in-phase and quadrature component of the resulting 6MHz signal is illustrated in FIG. 16. Note that this is the
15 autocorrelation for only the 4 data synchronization symbols at the beginning of each segment.

[0115] The characteristics of the 6MHz signal are shown in FIG. 17. FIG. 17 displays a portion of the autocorrelation peak for the in-phase channel. From the smoothness of the curve, one can see that the signal-to-noise ratio is high. In addition, the curvature of the peak
20 indicates the high signal bandwidth which makes this signal robust to multipath.

[0116] FIG. 18 depicts the results of a simulation of the operation of correlator 500. The simulation was conducted using Mathematica software produced by Wolfram Research. The simulation input is the digital I and Q samples stored in a memory 414 by sampler 400.

[0117] FIG. 18 shows the noncoherent correlation result for symbol-synchronous
25 sampling at a 10.76 MHz complex sample rate and an integration time of 242 milliseconds or 10 fields. The simulation is a worst case where the samples are offset by 1/2 symbol or 0.05 microseconds.

[0118] The simulation also includes Gaussian noise and a signal-to-noise ratio (SNR) in the 6 MHz bandwidth of -27 dB. With a phase offset of the sampling this result degrades
30 by 2 dB but clearly the performance would still be excellent. Normal DTV reception requires a SNR of approximately +18 dB. Correlator 500 can recover tracking information at a SNR

18+27 = 45 dB below normal DTV. This result requires accurate correction of the sampling clock if a matched filter is employed. However, a time-gated delay lock loop (DLL) will automatically synchronize its clock to that of the received signal and produce the same result.

5 ***Identifying the Television Transmitters***

[0119] In some geographic regions DTV signals are blocked to a considerable extent by large hills and mountains. In such regions it is sometimes desirable to augment the DTV signals broadcast from large TV towers with digitally regenerated signals transmitted from smaller TV repeater towers which are much closer to the blocked users. The DTV signals
10 from the repeater towers are digitally regenerated and synchronized with an appropriate time offset from the DTV signal received from the main TV tower.

[0120] FIG. 19 shows the general configuration of the digital TV repeater. In FIG. 19 the main TV tower 1902 transmits the main DTV signal 1904 with its high power signal broadcast from a very large tower. Most of the nearby community is well served by all of the
15 channels broadcast from tower 1902. For example, house 1906 receives signal 1904 with no blockage. However in this example hilly terrain blocks the TV signal from main tower 1902 to house 1908 in the valley region as shown in FIG. 19. A smaller TV repeater tower 1910 receives the digitized TV signal from main tower 1902, for example by cable 1914, regenerates the modulated signal and retransmits the TV signal as repeated DTV signal 1912,
20 which is received by house 1908 with no blockage. Thus the homes in the valley now receive a strong signal with excellent reception.

[0121] House 1906 can receive both signals: the strong repeated DTV signal 1912 from nearby repeater 1910, and the weaker main DTV signal 1904 from main TV tower 1902. A TV receiver adaptive equalizer can equalize both signals. This equalization is especially
25 powerful when a new proposed pseudonoise equalization channel is utilized, as described in detail below.

Proposed Modification to ATSC DTV Signal

[0122] The ATSC DTV signal is the standard for DTV in the United States and a
30 number of other countries. In general this signal is a 6 MHz bandwidth signal generated using 8-ary vestigial sideband (VSB) modulation with error coding and raised-cosine spectral

shaping. This signal contains embedded segment and field synchronization signals, and operates with a nominal 10.76 Msps symbol rate. These signals are transmitted in the standard VHF and UHF television bands. The signals carry MPEG-2 packets and can carry both standard and high definition TV signals.

5 [0123] The DTV signal has been coded using error correction coding and interleaving to tolerate noise. The field synchronization signal is used both for timing and as a training sequence for the adaptive equalizer. Equalization is essential in many areas because of significant multipath.

[0124] A very simple modification to the ATSC transmitter has been proposed that
10 would not measurably impact the performance of existing digital TV receivers nor change the current framing structure. This technique will, however, allow for the design of new types of adaptive equalizers that can dramatically improve the performance of digital TV receivers in rapidly changing multipath channels, and therefore greatly expand the use of digital TV in mobile environments. This proposed ATSC pseudo-noise (PN) dithering has several
15 objectives.

[0125] · Provide a powerful new equalization signal by transmitting a low level continuous known PN sequence with excellent autocorrelation properties. Because this signal is transmitted continuously, it permits equalization even from moving vehicles.

[0126] · Provide a unique PN sequence identifier. This identifier is especially useful
20 for on-channel repeaters, but can be used for all TV transmissions. Each TV transmitter in the US including all repeater towers would have a unique code identifier. This permits each repeater signal to be distinguished from the others and from the main transmitted signal.

[0127] · Negligible impact on conventional digital TV receivers. The new signal is completely backward compatible with the present ATSC signal. No modification to TV
25 receivers is required. However, just as the presence of the ghost-canceling reference GCR signal in analog TV permits improved performance, so also does this PN dither permit improved ATSC signal reception in marginal areas.

[0128] Embodiments of the present invention employ the new PN codes in the DTV signal for different reasons: to determine the position of a user terminal according to the
30 techniques described above, and to identify the transmitter of each DTV signal, for example to distinguish a main TV tower from a repeater tower. In addition the proposed PN dithering

technique can provide a low data rate 50 bps broadcast data channel to fixed and mobile users.

[0129] In a preferred embodiment the PN codes are similar or identical to one or both of the new GPS L5 channel codes, which are described in a paper by J. Spilker, Jr, and A.J. van Dierendonck entitled "Proposed New L5 Civil GPS Codes," published in the Institute of Navigation Journal, Fall 2001, Vol 48., No. 3, pages 135-143, and incorporated herein by reference. However, other PN codes can be used.

Modifying the ATSC Signal

10 [0130] Two techniques for adding the PN synchronization signal to the ATSC signal are described below. In the first approach, a raised cosine single side-band (SSB) signal is added to the in-phase DTV signal. This creates a small binary dither to the desired digital TV signal. However if the PN amplitude is kept sufficiently small, for example less than 1/20th that of the DTV signal, the degradation is small and not noticeable.

15 [0131] In the second approach, the PN sequence is added in phase quadrature to the DTV signal. In this second approach, the PN signal can be larger than the first approach, and causes virtually no degradation to the DTV signal except for a small reduction in effective power (by less than 0.5dB or less).

[0132] Both techniques can be used to transmit one or both PN components of the GPS L5 signal. The data modulated signal can be transmitted in phase quadrature while the other PN code is transmitted at low level on the in-phase channel. Of course, the opposite pairing can be used instead. The first approach is now described.

[0133] In the 8-VSB modulation in the ATSC standard, three encoded bits are used to define the 8 level symbol that is used to amplitude modulate a carrier. The symbol rate is 10.76 Msps (Mega symbols per second). A known binary pseudo-noise sequence is selected that consists of bits called "chips," where the chip rate is also 10.76 Mcps (Mega chips per second). This binary sequence of chips is then used to create a small binary shift in the amplitude of the least significant bit of the 8 level symbol sequence that is amplitude modulating the carrier. The net effect is the creation of a small signal coherently added to the primary ATSC transmitter signal.

[0134] The amplitude shifts can be small enough so this additional signal is 25 dB below the level of the primary ATSC signal. This should be small enough to have little impact on reception quality of any digital TV receiver.

[0135] FIG. 20 shows an apparatus 2000 for adding the PN synchronization signal to the ATSC signal according to the first approach. Apparatus 2000 comprises a forward error correction (FEC) coder 2002, an 8-ary coder 2004, a summer 2006, a pseudo-noise (PN) coder 2008, an in-phase channel vestigial sideband (VSB) coder 2010, a quadrature channel VSB coder 2012, mixers 2014 and 2016, intermediate frequency (IF) oscillator 2008, summer 2020, frequency converter and high-power amplifier 2022, and transmitter tower 2024. Apparatus 2000 is similar to a conventional ATSC modulator and transmitter, with the exception of summer 2006 and PN coder 2008, which simply add a low level signal to the in-phase and quadrature signal components of the conventional ATSC signal. For example, summer 2006 can be implemented by simply toggling the least-significant bit in the digital stream emanating from the I and Q channels.

[0136] Preferably the PN codes added by PN coder 2008 are the new L5 GPS codes. The L5 signal are the most powerful and precise of the GPS civil signals. The L5 signal comprises two quasi-orthogonal codes transmitted in phase quadrature. Each code is a modified Gold code of length 10230 chips, exactly 10 times as long as the present GPS C/A code. The codes are transmitted at a rate of 10.23 Mcps. In the ATSC variation, the code chip rate is changed slightly to 10.76 Mcps to match the exact symbol rate of the ATSC signal.

[0137] One of these L5 codes carries rate $\frac{1}{2}$ coded data at a 50 bps data rate. The quadrature channel has no data modulation in order to permit even longer correlator integration times than that permitted with coded data modulation (10ms).

[0138] There are over 5000 quasi-orthogonal codes to select. Thus each transmitter or on-channel repeater can have a separate code that serves as a unique address for the transmitter.

[0139] The equalizer performance in normal TV operation is greatly improved provided that the training sequence is sufficiently high in amplitude. In normal operation the field synchronization signal appears as a 832 bit sequence every 313 segments or every 24ms. If the channel changes more rapidly than that the equalizer cannot track the changes.

[0140] A new receiver can be designed to use this small pseudo-noise chip sequence to aid its channel equalizer in overcoming multipath. A correlator integrating this chip sequence over a single segment of 832 chips will have a processing gain of 29.2 dB. This correlator output will have 4.2 dB sequence detection output above the primary digital TV signal. By
 5 integrating over 10 segments (773 microseconds), the correlator output will have 14.2 dB advantage over the primary TV signal.

[0141] The second approach to implementing the PN sequence is to add it in phase quadrature. In normal operation the 8VSB signal has the form

$$10 \quad s[t] = \sum_i d_i [g(t-iT) \cos[\omega_o t] + h(t-iT) \sin[\omega_o t]] + a \cos[\omega_o t] \quad (18)$$

where the g term is the raised cosine waveform and h is the Hilbert transform. The d terms represent the 8VSB signal and its embedded synchronization signals. The last term is the pilot carrier with amplitude a.

15 [0142] The PN signal is added in phase quadrature with PN bits p to form the signal

$$s[t] = \sum_i d_i [g(t-iT) \cos[\omega_o t] - h(t-iT) \sin[\omega_o t]] + b \sum_i p_i [g(t-iT) \cos[\omega_o t + \pi/2] - h(t-iT) \sin[\omega_o t + \pi/2]] + a \cos[\omega_o t] \quad (19)$$

[0143] The phase of the PN SSB signal is rotated by 90 degrees relative to the digital
 20 TV SSB carrier, keeping the upper sideband in both signals. The same phase relationship between the PN signal and its Hilbert transform is kept so as to retain the upper sideband. This equation can be written as

$$\begin{aligned}
s[t] = & \sum_i d_i [g(t-iT) \cos[\omega_o t] - h(t-iT) \sin[\omega_o t]] \\
& + b \sum_i p_i [g(t-iT) (-\sin[\omega_o t]) - h(t-iT) \cos[\omega_o t]] \\
& + a \cos[\omega_o t]
\end{aligned} \tag{20}$$

[0144] FIG. 21 shows an apparatus 2100 for adding the PN synchronization signal to the ATSC signal according to the second approach. Apparatus 2100 comprises a forward error correction (FEC) coder 2102, an 8-ary coder 2104, summers 2106A and 2106B, a pseudo-noise (PN) and VSB coder 2108, an in-phase channel VSB coder 2110, a quadrature channel VSB coder 2112, mixers 2114 and 2116, IF oscillator 2118, summer 2120, frequency converter and high-power amplifier 2122, and transmitter tower 2124. Apparatus 2100 is similar to a conventional ATSC modulator and transmitter, with the exception of summers 2106 and PN/VSB coder 2108.

[0145] Apparatus 2100 adds a PN sequence with raised cosine waveshape and single sideband spectrum; therefore this signal has both in-phase and quadrature components where the quadrature component is in phase with the main data component. However, the Hilbert transform component $h[t]$ is uncorrelated with the main component $g[t]$. Thus when the signal is synchronously detected the quadrature component disappears. The quadrature component is zero only if there is no multipath. With multipath of course there can be many other components. The added PN sequence has amplitude b which is small compared to that of the main data signal. The synchronous detector output $r[t]$ is given by

$$\begin{aligned}
r[t] = s[t] \cos[\omega_o t] = & \left\{ \sum_i d_i [g(t-iT) \cos[\omega_o t] - h(t-iT) \sin[\omega_o t]] \right. \\
& + b \sum_i p_i [-g(t-iT) \sin[\omega_o t] - h(t-iT) \cos[\omega_o t]] \\
& \left. + a \cos[\omega_o t] \right\} \cos[\omega_o t] \Big|_{\text{lowpass}}
\end{aligned} \tag{21}$$

[0146] Removing the double frequency components yields

$$\begin{aligned}
 r[t] = & \frac{1}{2} \left\{ \sum_i d_i [g(t-iT)] \right. \\
 & + b \sum_i p_i [-h(t-iT) \cos[\omega_o t]] \\
 & \left. + a \right\}
 \end{aligned}
 \tag{22}$$

[0147] After correlating with $g[t-iT]$ the $h[t-iT]$ term disappears. Thus the PN sequence can be added in quadrature with essentially no interference with the main signal. Apparatus
 5 2100 can also add two PN sequences as is done for the GPS L5 signal. However in this instance the second signal will have its main component in phase with the main data signal and its amplitude will have to be small compared to the data signal.

[0148] The only degradation caused by this PN signal addition in phase quadrature is the small amount of added power required, or alternatively the small amount of power
 10 reduction of the digital TV signal. For example, using 1/10th of the power for the PN synchronization signal, the digital TV signal is reduced in power by 0.45 dB, a very small price to pay for a very powerful PN synchronization signal.

Application to Improving Digital TV Equalizers

15 [0149] The output of the correlators for the pseudo-noise sequence will provide a snapshot of the channel multipath. This data can then be used to feed the equalizer used to combat multipath in the reception of the primary TV signal. The time constant of the multipath should determine the correlation times used to adjust the equalizer parameters.

[0150] The ATSC signal data rate is 10.76 Msps, which corresponds to approximately
 20 0.1 microseconds symbol time. Radio waves travel about 30 meters during this symbol time. Thus a change in multipath delay distance of 30 meters will result in a symbol time change in the multipath delay.

[0151] Consider an example where a reflecting object that causes a multipath signal is moving at 100 Km per hour. During a one millisecond time interval this object moves 0.0278
 25 meters. This distance corresponds to a multipath time delay that is a small fraction of a symbol time interval. Assuming that all objects causing multipath signals do not move much faster than 100 Km per hour, the multipath time delay parameters should not change during a one millisecond time interval.

[0152] Changes in amplitude are expected to be on the same order as that of time delay. Thus the amplitudes of the multipath signals should not change significantly during a one millisecond time interval.

[0153] The most rapidly changing parameter is likely to be the signal phase. The
5 highest carrier frequency for ATSC is less than 800 MHz. For 800 MHz the carrier wavelength is 0.375 meters. Thus during a one millisecond interval there is no more than 0.0741 wavelengths of distance change due to reflecting objects moving at 100 Km per hour or less. Thus during a one millisecond period there should not be more than 27 degrees of phase change of a multipath signal relative to a phase reference defined by the reference
10 carrier. Of course, if there are any errors in the carrier frequency reference then the phases can change more rapidly.

[0154] Therefore the phase changes cause most of the dynamic changes in multipath distortions at an ATSC receiver. If an ATSC receiver is based on a traditional design then multipath would be measured only in one phase reference coordinate. The resulting phase
15 changes of multipath signals in this reference coordinate would translate to rapid changes in the amplitudes of these signals. By viewing these signals in a two dimensional coordinate space with an arbitrary phase reference, the amplitudes vary slowly compared to the more rapidly changing phases of multipath signals.

[0155] Based on this simple calculation, if the correlator integration time is about one
20 millisecond, each one millisecond the correlator outputs can provide parameters to the TV equalizer at a fast enough rate to allow for the rapidly changing multipath experienced in a mobile digital TV receiver. This type of correlation aided equalizer is also much more stable and should acquire rapidly to rapidly changing channel multipath.

25 *Alternate Embodiments*

[0156] The invention can be implemented in digital electronic circuitry, or in computer hardware, firmware, software, or in combinations thereof. Apparatus of the invention can be implemented in a computer program product tangibly embodied in a machine-readable storage device for execution by a programmable processor; and method steps of the invention
30 can be performed by a programmable processor executing a program of instructions to perform functions of the invention by operating on input data and generating output. The

invention can be implemented advantageously in one or more computer programs that are executable on a programmable system including at least one programmable processor coupled to receive data and instructions from, and to transmit data and instructions to, a data storage system, at least one input device, and at least one output device. Each computer
5 program can be implemented in a high-level procedural or object-oriented programming language, or in assembly or machine language if desired; and in any case, the language can be a compiled or interpreted language. Suitable processors include, by way of example, both general and special purpose microprocessors. Generally, a processor will receive instructions and data from a read-only memory and/or a random access memory. Generally, a computer
10 will include one or more mass storage devices for storing data files; such devices include magnetic disks, such as internal hard disks and removable disks; magneto-optical disks; and optical disks. Storage devices suitable for tangibly embodying computer program instructions and data include all forms of non-volatile memory, including by way of example semiconductor memory devices, such as EPROM, EEPROM, and flash memory devices;
15 magnetic disks such as internal hard disks and removable disks; magneto-optical disks; and CD-ROM disks. Any of the foregoing can be supplemented by, or incorporated in, ASICs (application-specific integrated circuits).

[0157] A number of embodiments of the invention have been described. Nevertheless, it will be understood that various modifications may be made without departing from the
20 spirit and scope of the invention.

[0158] For example, while various signals and signal processing techniques are discussed herein in analog form, digital implementations will be apparent to one skilled in the relevant art after reading this description.

[0159] For example, although one method for tracking the ATSC signal using the in-phase and quadrature channels is described, it should be clear that one can use only the in-phase channel, only the quadrature channel or any combination of the two to provide
25 accurate tracking. Furthermore it should be clear that there are several methods of tracking these signals using various forms of conventional delay lock loops and through the use of various types of matched filters.

[0160] Implementations of the present invention exploit the low duty factor of the DTV signal in many ways. For example, one implementation employs a time-gated delay-lock
30

loop (DLL) such as that disclosed in J. J. Spilker, Jr., Digital Communications by Satellite, Prentice-Hall, Englewood Cliffs NJ, 1977, Chapter 18-6. Other implementations employ variations of the DLL, including coherent, noncoherent, and quasi-coherent DLLs, such as those disclosed in J. J. Spilker, Jr., Digital Communications by Satellite, Prentice-Hall,

5 Englewood Cliffs NJ, 1977, Chapter 18 and B. Parkinson and J. Spilker, Jr., Global Positioning System-Theory and Applications, AIAA, Washington, DC, 1996, Vol. 1, Chapter 17, Fundamentals of Signal Tracking Theory by J. Spilker, Jr. Other implementations employ various types of matched filters, such as a recirculating matched filter.

[0161] In some implementations, DTV location server 110 employs redundant signals
10 available at the system level, such as pseudoranges available from the DTV transmitters, making additional checks to validate each DTV channel and pseudo-range, and to identify DTV channels that are erroneous. One such technique is conventional receiver autonomous integrity monitoring (RAIM).

[0162] Accordingly, other embodiments are within the scope of the following claims.

WHAT IS CLAIMED IS:

1. A user terminal comprising:
a receiver adapted to receive, at the user terminal, a broadcast digital television signal transmitted by a television transmitter and comprising a pseudo-noise code; and
5 a controller adapted to generate a pseudorange based on the pseudo-noise code;
wherein the location of the user terminal is determined based on the pseudorange and a location of the television transmitter.
2. The user terminal of claim 1, wherein the broadcast digital television signal is
10 an American Television Standards Committee (ATSC) digital television signal.
3. The user terminal of claim 2, wherein the pseudonoise code is a Global Positioning System L5 code.
- 15 4. The user terminal of claim 1, further comprising:
a processor adapted to determine the location of the user terminal based on the pseudorange and the location of the identified television transmitter.
- 20 5. The user terminal of claim 1, further comprising:
a time-gated delay-lock loop adapted to track the broadcast digital television signal.
- 25 6. A user terminal comprising:
a receiver adapted to receive, at the user terminal, a broadcast digital television signal transmitted by a television transmitter and comprising a pseudonoise code; and
a controller adapted to generate a pseudorange based on the broadcast digital
television signal, and to identify the television transmitter based on the pseudonoise code;
wherein the location of the user terminal is determined based on the pseudorange and
a location of the identified television transmitter.
- 30 7. The user terminal of claim 6, wherein the broadcast digital television signal is an American Television Standards Committee (ATSC) digital television signal.

8. The user terminal of claim 7:

wherein the controller generates the pseudorange based on a known digital sequence comprising at least one of

5 the pseudonoise code;
a Field Synchronization Segment within an ATSC data frame, and
a Synchronization Segment within a Data Segment within an ATSC data
frame.

10 9. The user terminal of claim 7, wherein the pseudonoise code is a Global
Positioning System L5 code.

10. The user terminal of claim 6, further comprising:

15 a processor adapted to determine the location of the user terminal based on the
pseudorange and the location of the identified television transmitter.

11. The user terminal of claim 6, further comprising:

a time-gated delay-lock loop adapted to track the broadcast digital television signal.

20 12. A user terminal comprising:

receiver means for receiving, at the user terminal, a broadcast digital television signal
transmitted by a television transmitter and comprising a pseudo-noise code; and

controller means for generating a pseudorange based on the pseudo-noise code;

25 wherein the location of the user terminal is determined based on the pseudorange and
a location of the television transmitter.

13. The user terminal of claim 12, wherein the broadcast digital television signal
is an American Television Standards Committee (ATSC) digital television signal.

30 14. The user terminal of claim 13, wherein the pseudonoise code is a Global
Positioning System L5 code.

15. The user terminal of claim 12, further comprising:
processor means for determining the location of the user terminal based on the
pseudorange and the location of the identified television transmitter.

5

16. A user terminal comprising:
receiver means for receiving, at the user terminal, a broadcast digital television signal
transmitted by a television transmitter and comprising a pseudonoise code; and
controller means for generating a pseudorange based on the broadcast digital
television signal, and to identify the television transmitter based on the pseudonoise code;
wherein the location of the user terminal is determined based on the pseudorange and
a location of the identified television transmitter.

10

17. The user terminal of claim 16, wherein the broadcast digital television signal
is an American Television Standards Committee (ATSC) digital television signal.

15

18. The user terminal of claim 17:
wherein the controller means generates the pseudorange based on a known digital
sequence comprising at least one of
the pseudonoise code;
a Field Synchronization Segment within an ATSC data frame, and
a Synchronization Segment within a Data Segment within an ATSC data
frame.

20

19. The user terminal of claim 17, wherein the pseudonoise code is a Global
Positioning System L5 code.

25

20. The user terminal of claim 16, further comprising:
processor means for determining the location of the user terminal based on the
pseudorange and the location of the identified television transmitter.

30

21. A method comprising:
receiving, at a user terminal, a broadcast digital television signal transmitted by a
television transmitter and comprising a pseudo-noise code; and
generating a pseudorange based on the pseudo-noise code;
5 wherein the location of the user terminal is determined based on the pseudorange and
a location of the television transmitter.

22. The method of claim 21, wherein the broadcast digital television signal is an
American Television Standards Committee (ATSC) digital television signal.

10 23. The method of claim 22, wherein the pseudonoise code is a Global
Positioning System L5 code.

24. The method of claim 21, further comprising:
15 determining the location of the user terminal based on the pseudorange and the
location of the identified television transmitter.

25. A method comprising:
receiving, at a user terminal, a broadcast digital television signal transmitted by a
20 television transmitter and comprising a pseudonoise code;
generating a pseudorange based on the broadcast digital television signal; and
identifying the television transmitter based on the pseudonoise code;
wherein the location of the user terminal is determined based on the pseudorange and
a location of the identified television transmitter.

26. The method of claim 25, wherein the broadcast digital television signal is an
American Television Standards Committee (ATSC) digital television signal.

27. The method of claim 26:
30 wherein the pseudorange is generated based on a known digital sequence comprising
at least one of

the pseudonoise code;
a Field Synchronization Segment within an ATSC data frame, and
a Synchronization Segment within a Data Segment within an ATSC data
frame.

5

28. The method of claim 26, wherein the pseudonoise code is a Global
Positioning System L5 code.

10

29. The method of claim 25, further comprising:
determining the location of the user terminal based on the pseudorange and the
location of the identified television transmitter.

15

30. Computer-readable media embodying instructions executable by a computer
to perform a method comprising:
receiving, at a user terminal, a broadcast digital television signal transmitted by a
television transmitter and comprising a pseudo-noise code; and
generating a pseudorange based on the pseudo-noise code;
wherein the location of the user terminal is determined based on the pseudorange and
a location of the television transmitter.

20

31. The media of claim 30, wherein the broadcast digital television signal is an
American Television Standards Committee (ATSC) digital television signal.

25

32. The media of claim 31, wherein the pseudonoise code is a Global Positioning
System L5 code.

30

33. The media of claim 30, wherein the method further comprises:
determining the location of the user terminal based on the pseudorange and the
location of the identified television transmitter.

34. Computer-readable media embodying instructions executable by a computer to perform a method comprising:

receiving, at a user terminal, a broadcast digital television signal transmitted by a television transmitter and comprising a pseudonoise code;

5 generating a pseudorange based on the broadcast digital television signal;

identifying the television transmitter based on the pseudonoise code;

wherein the location of the user terminal is determined based on the pseudorange and a location of the identified television transmitter.

10 35. The media of claim 34, wherein the broadcast digital television signal is an American Television Standards Committee (ATSC) digital television signal.

36. The media of claim 35:

15 wherein the pseudorange is generated based on a known digital sequence comprising at least one of

the pseudonoise code;

a Field Synchronization Segment within an ATSC data frame, and

a Synchronization Segment within a Data Segment within an ATSC data frame.

20

37. The media of claim 35, wherein the pseudonoise code is a Global Positioning System L5 code.

38. The media of claim 34, wherein the method further comprises:

25 determining the location of the user terminal based on the pseudorange and the location of the identified television transmitter.

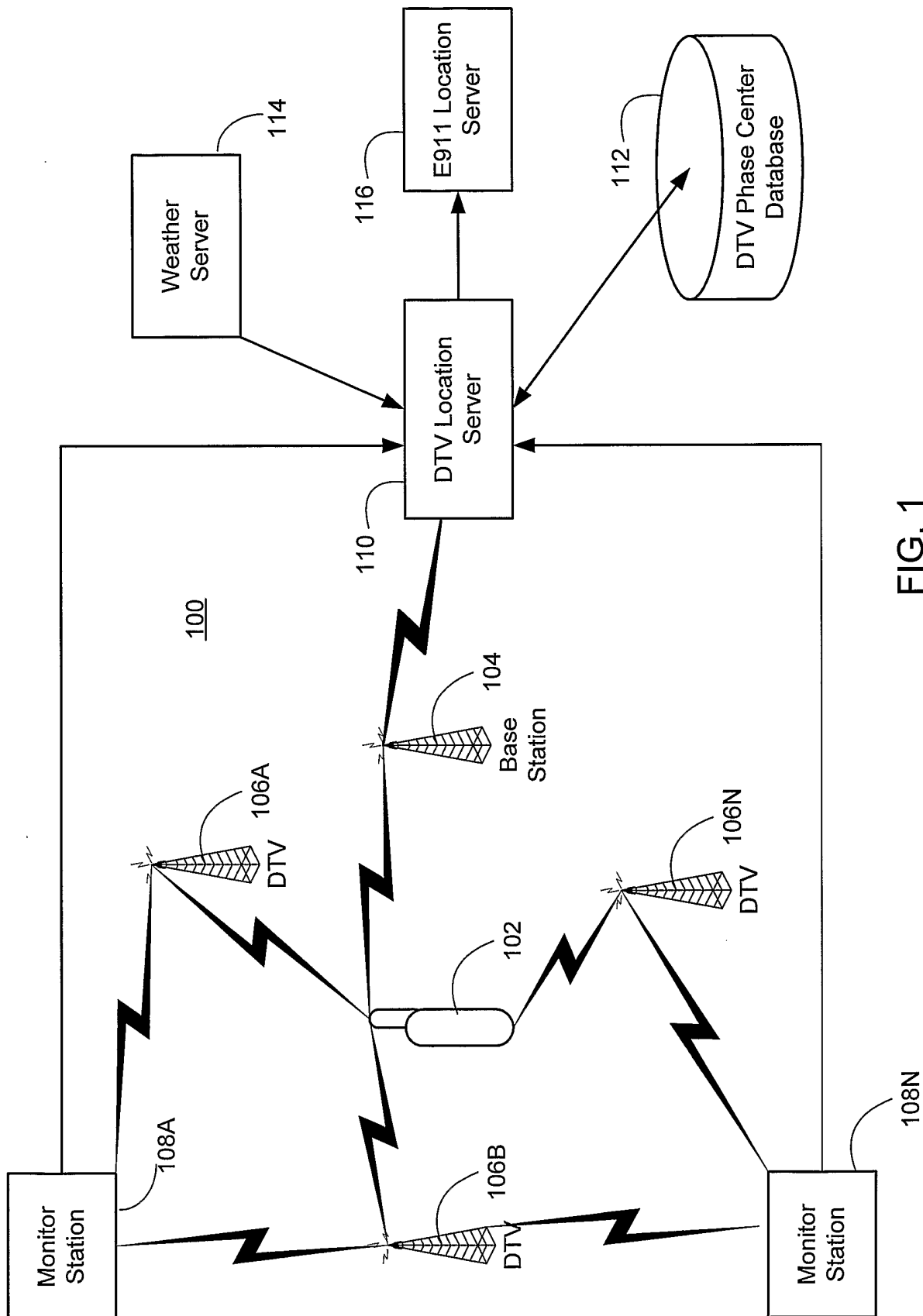


FIG. 1

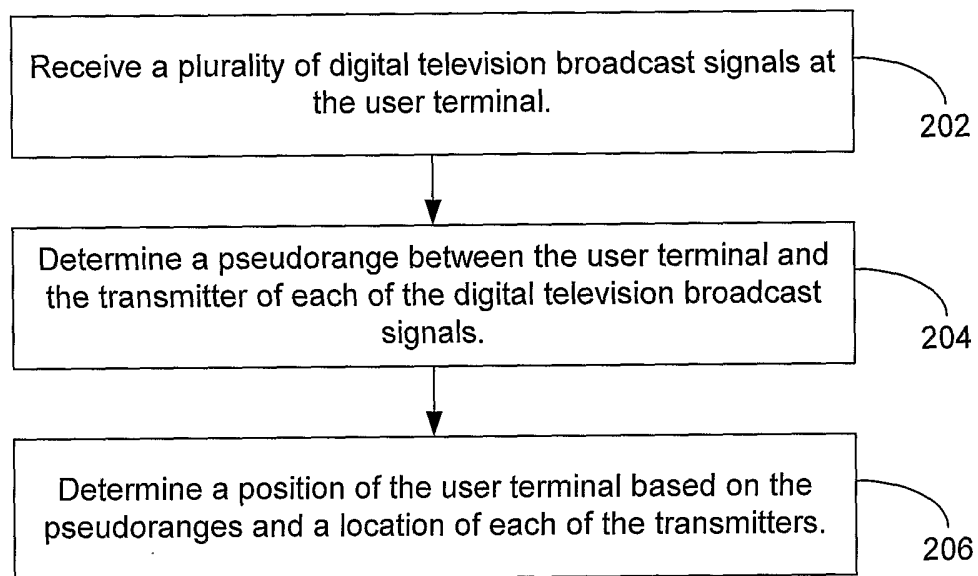


FIG. 2

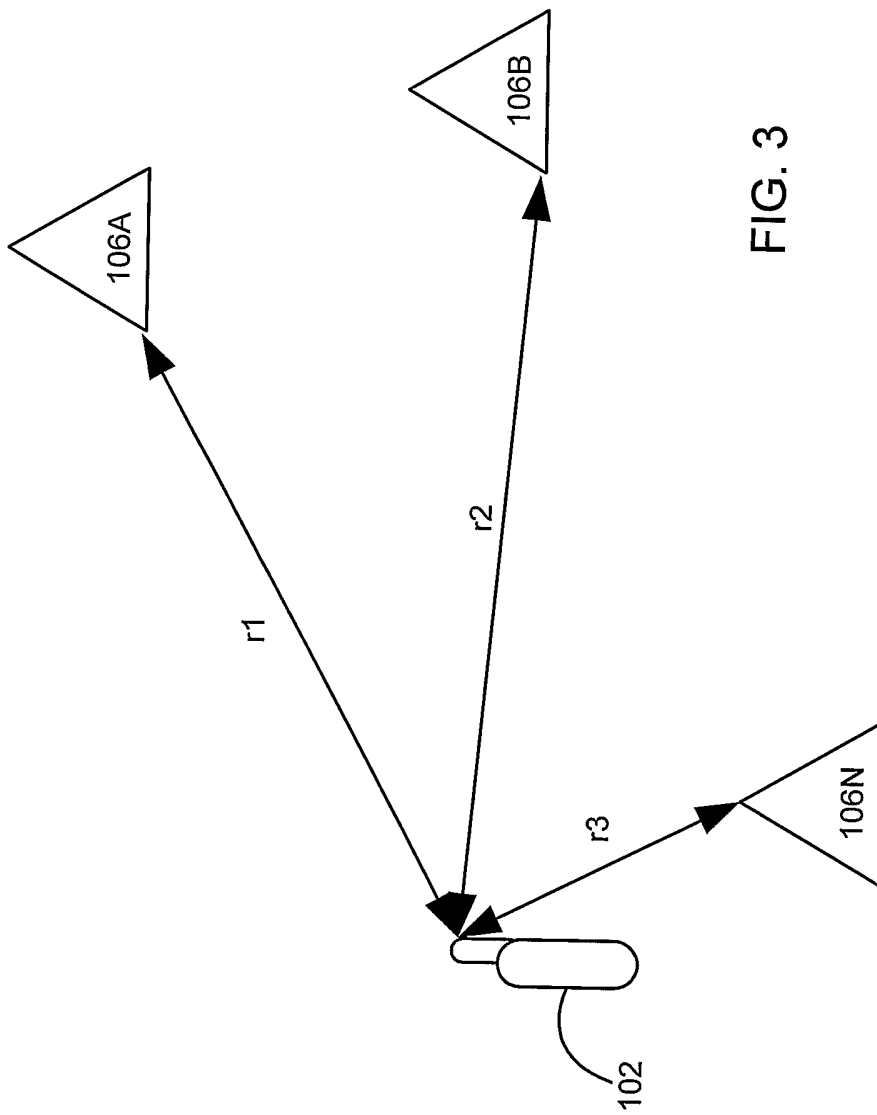


FIG. 3

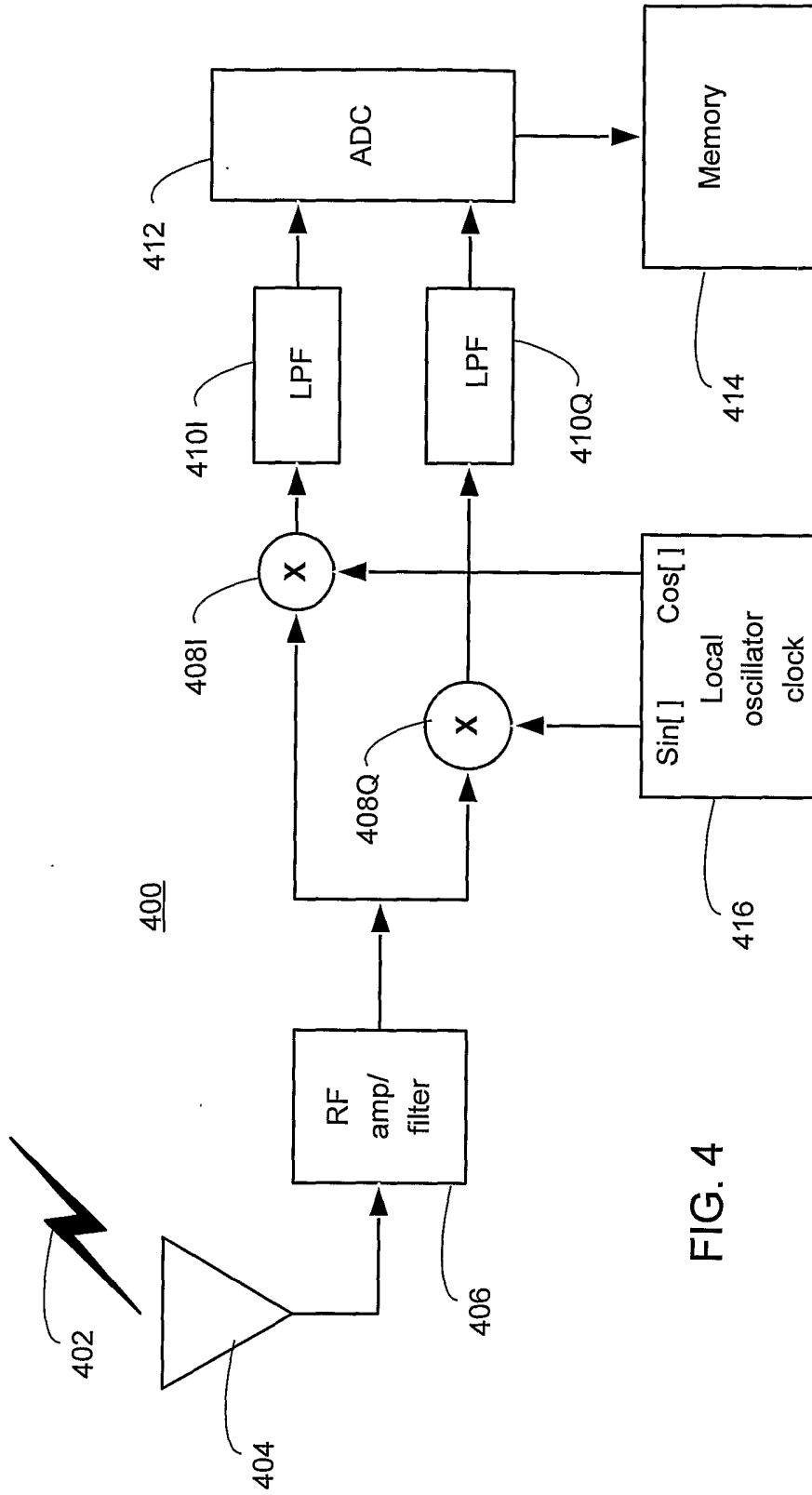


FIG. 4

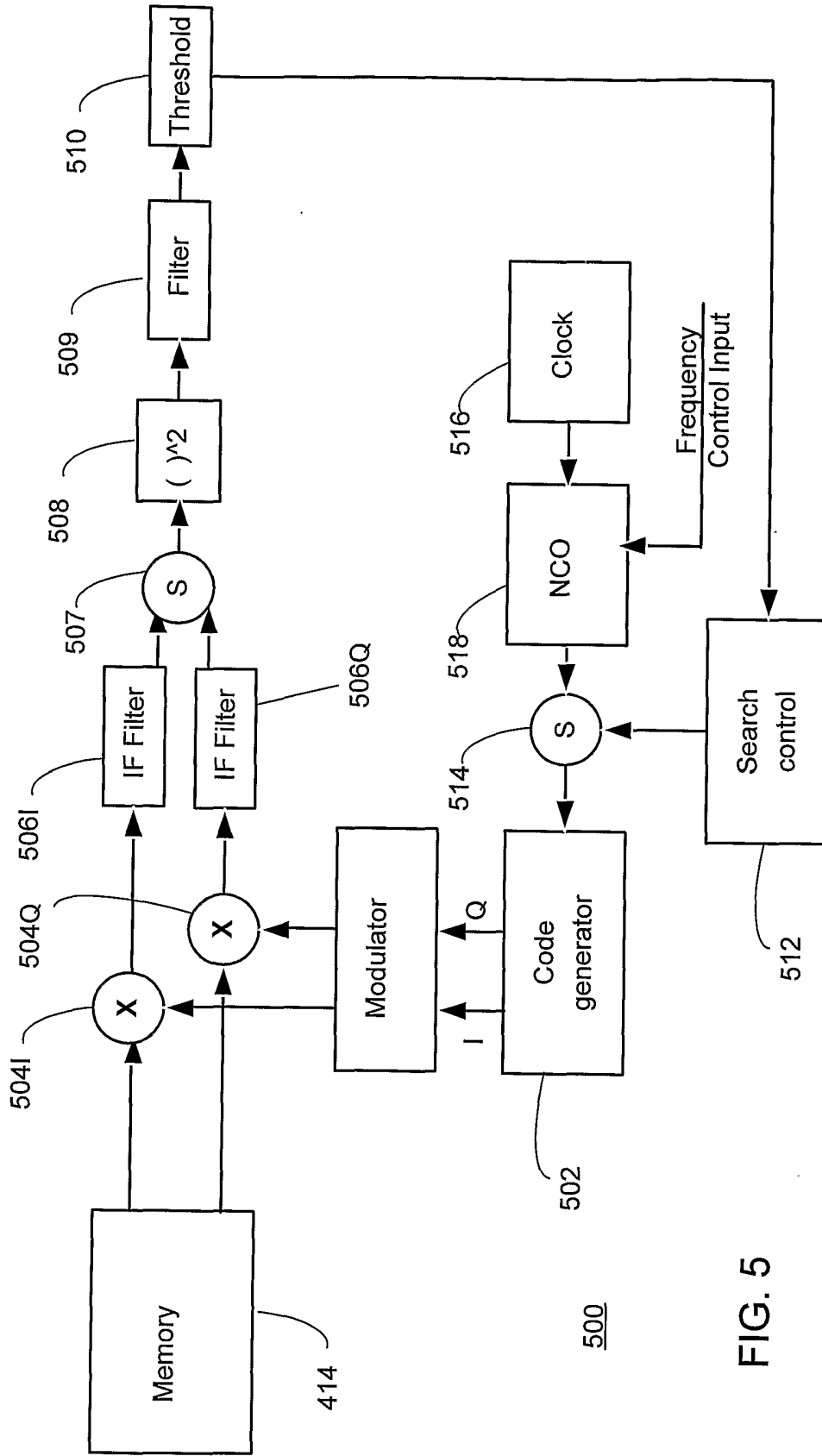
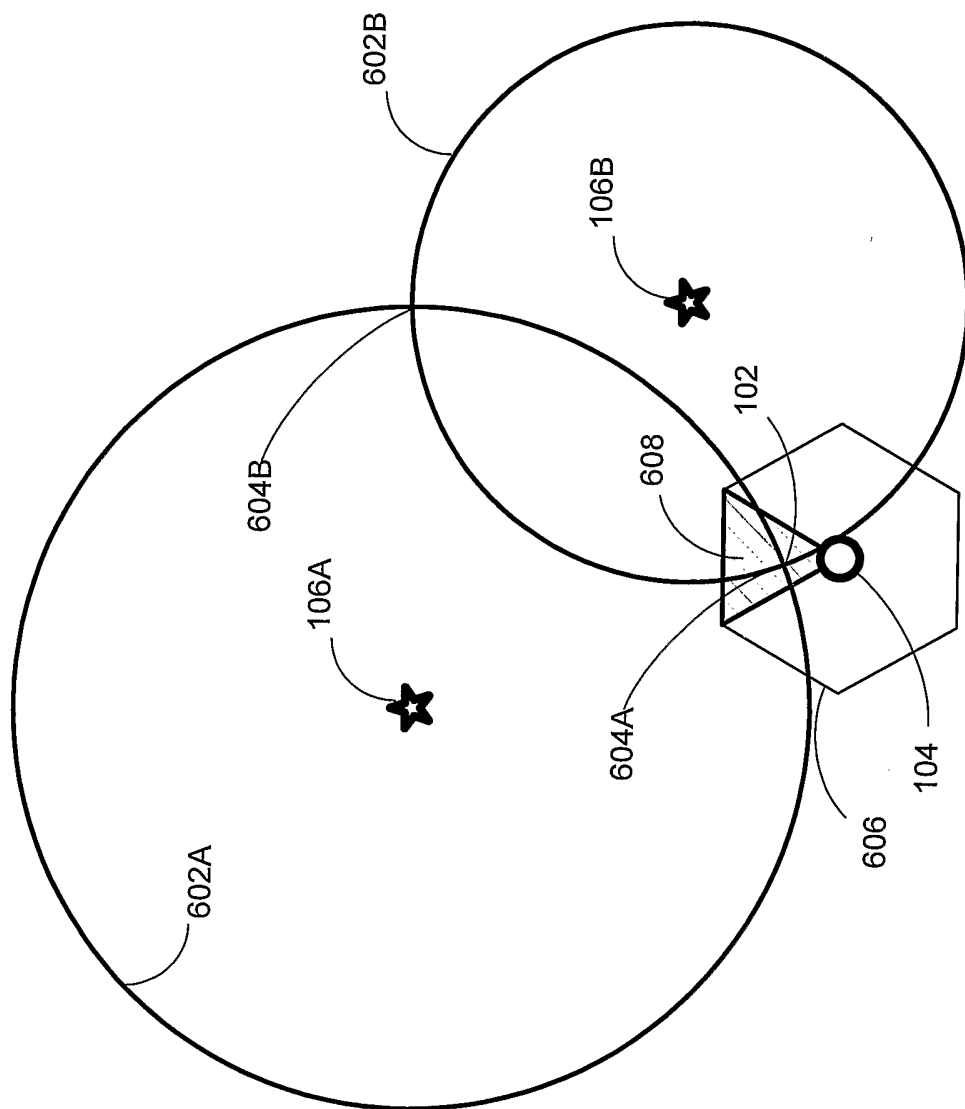


FIG. 5

FIG. 6



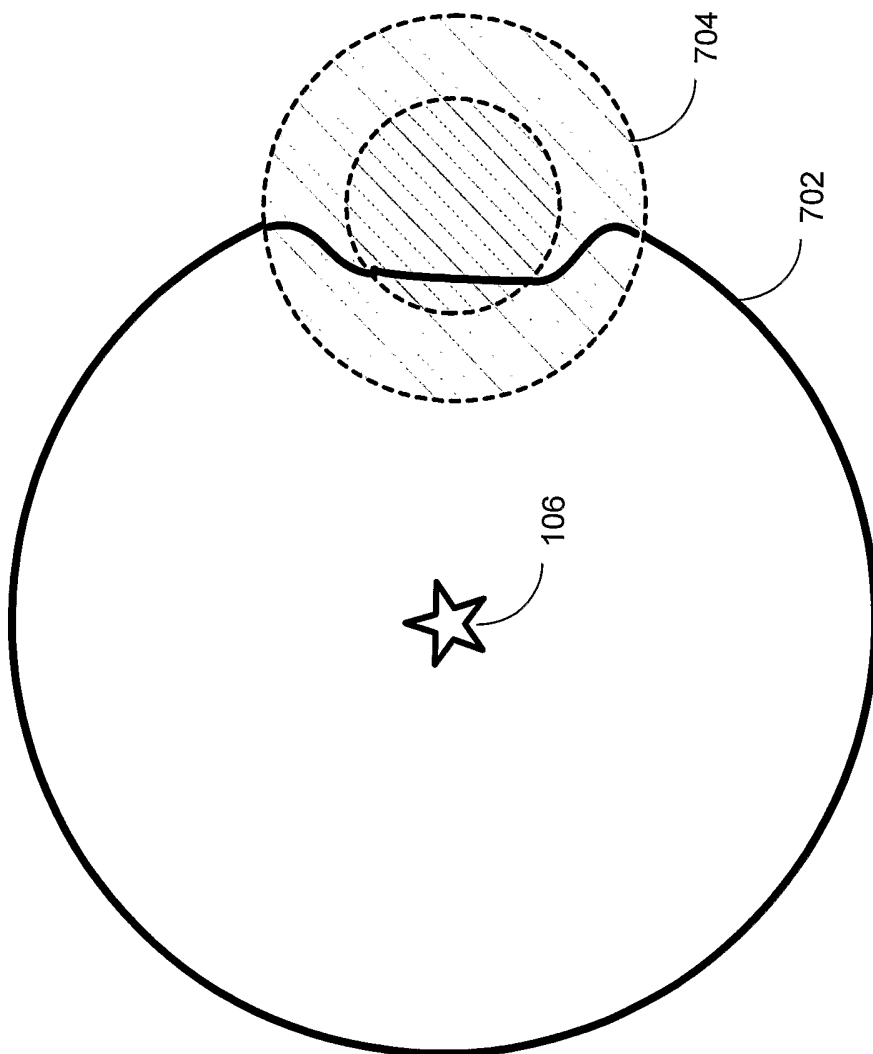


FIG. 7

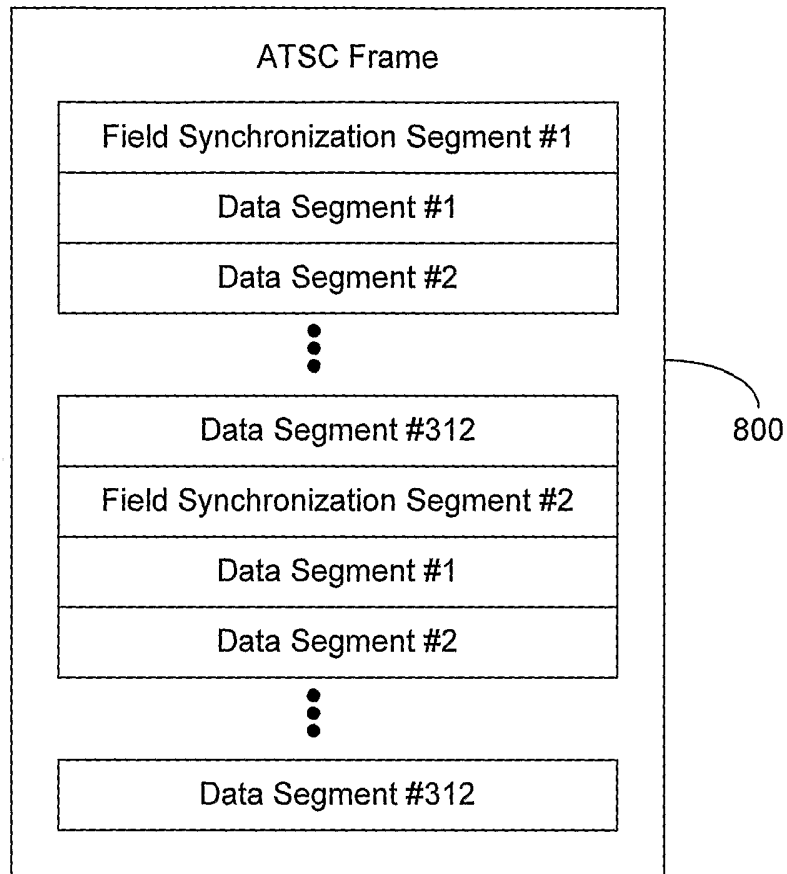


FIG. 8

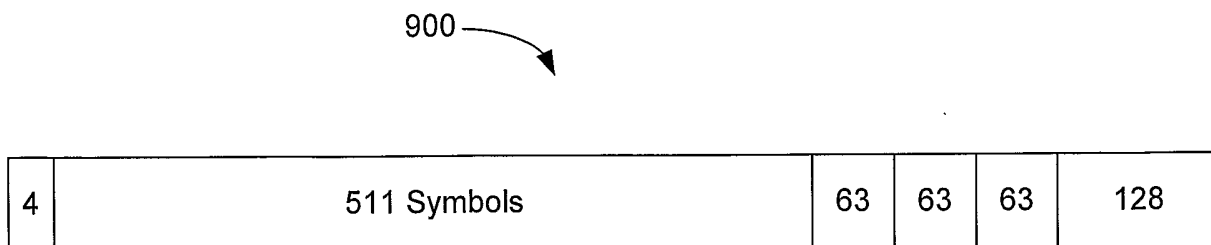


FIG. 9

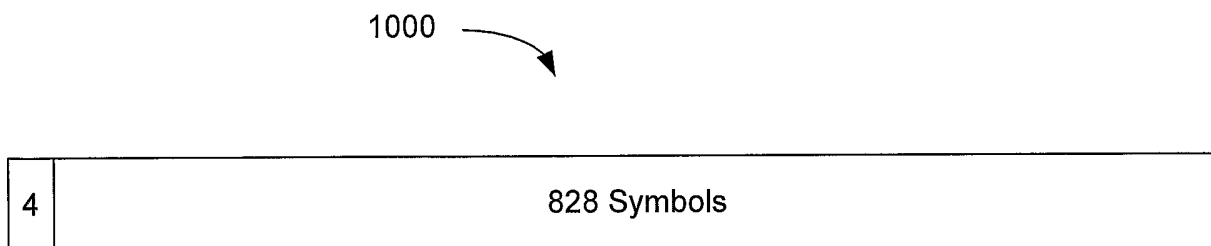


FIG. 10

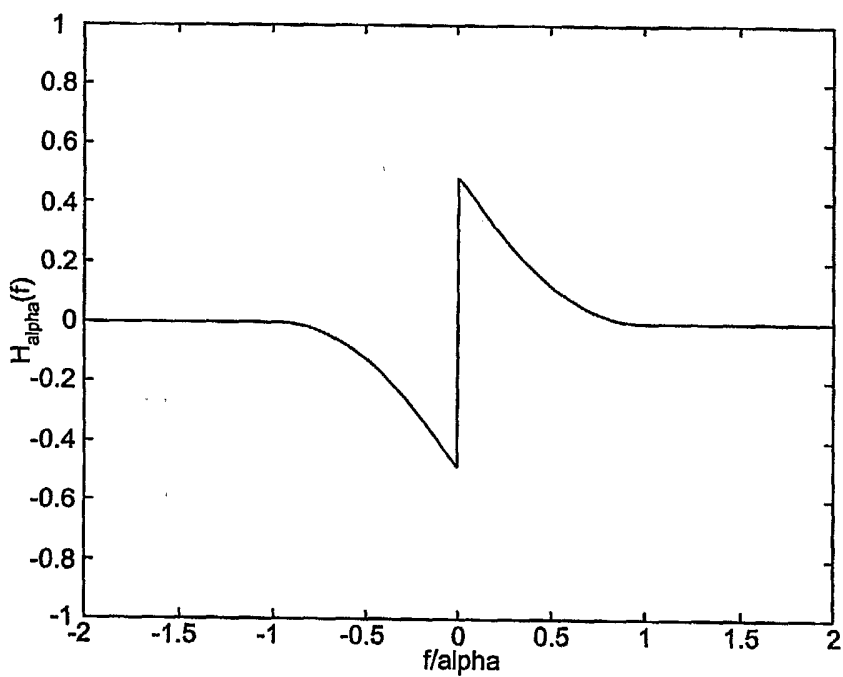


FIG. 11

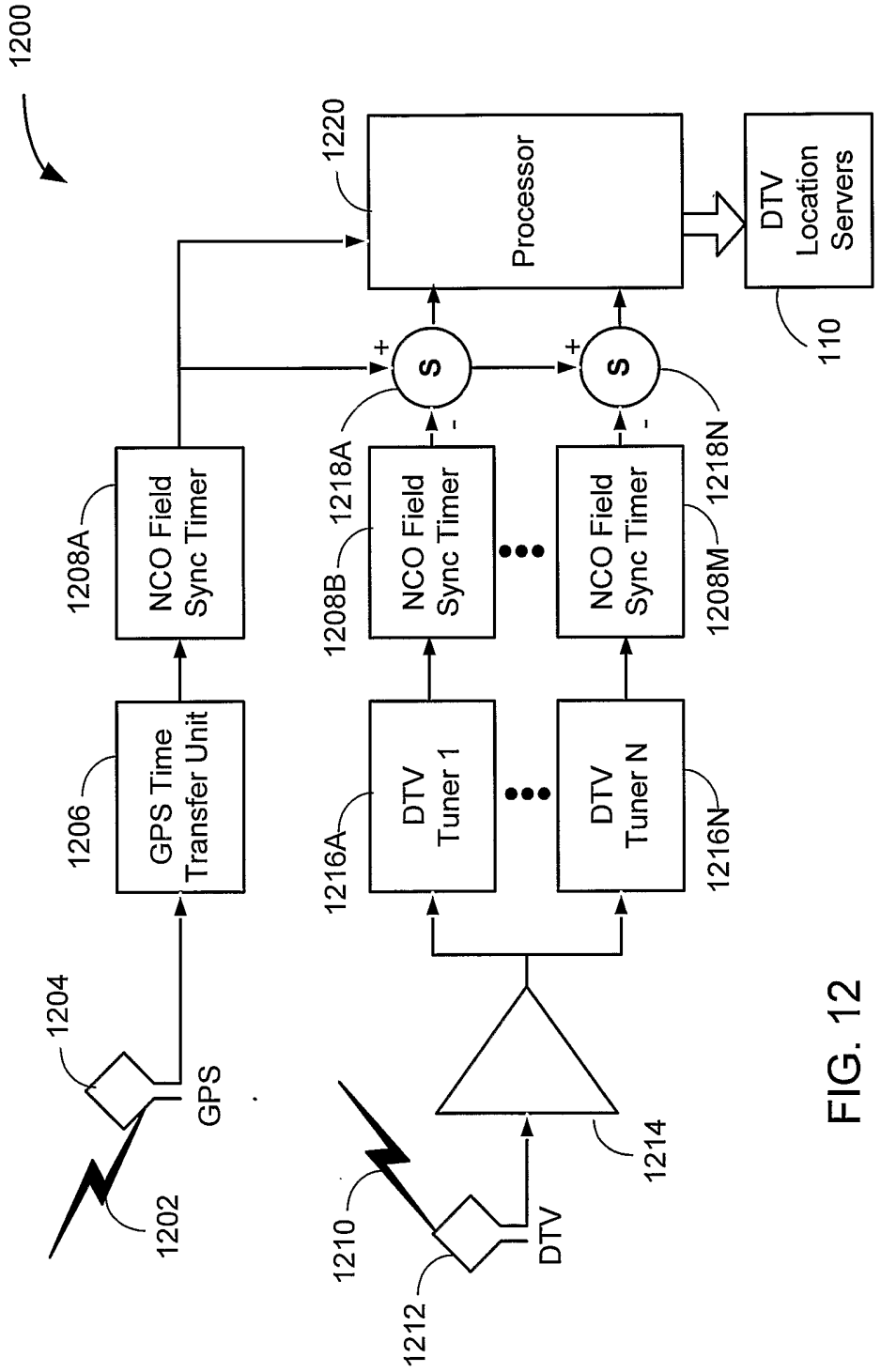


FIG. 12

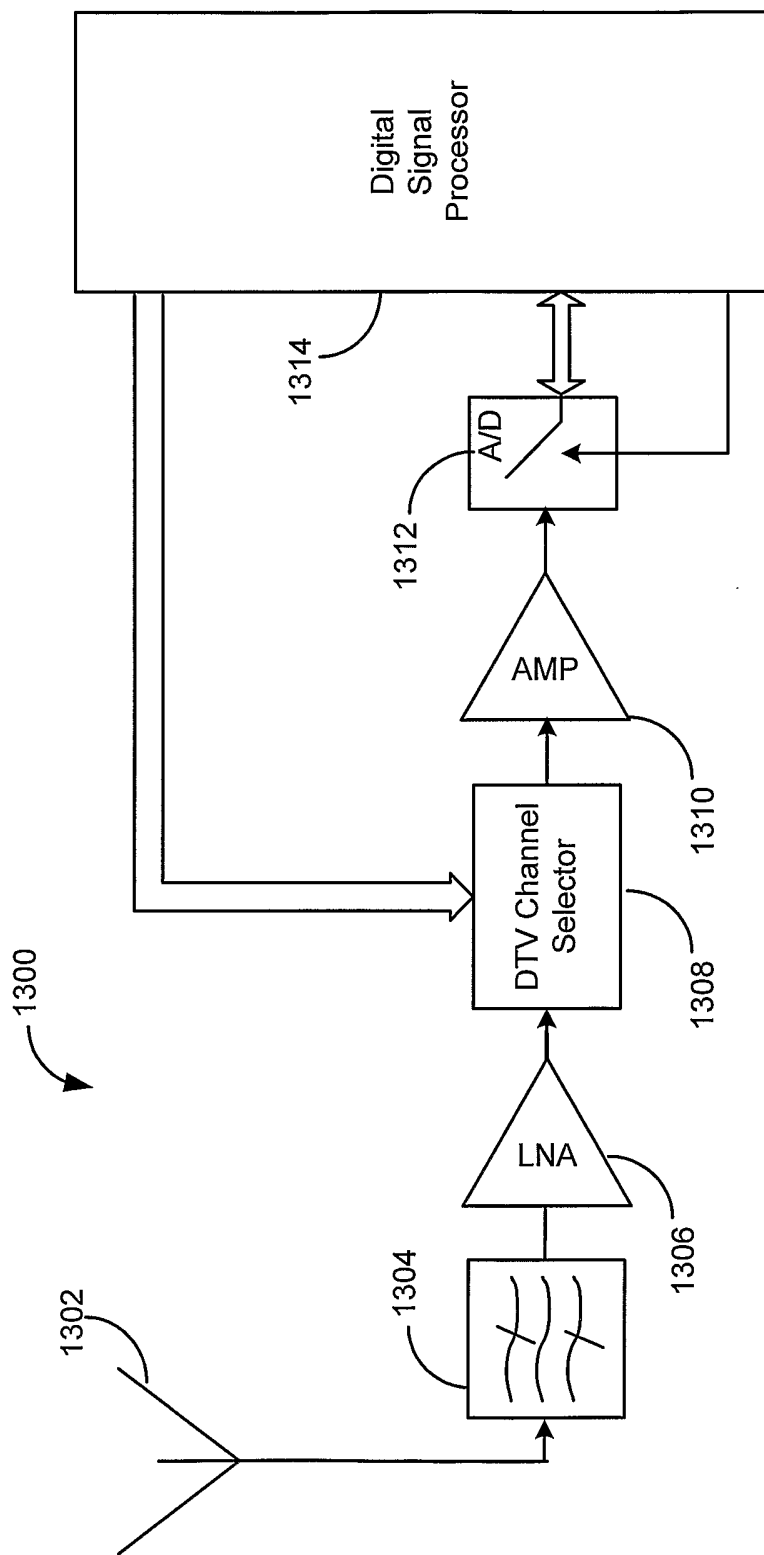


FIG. 13

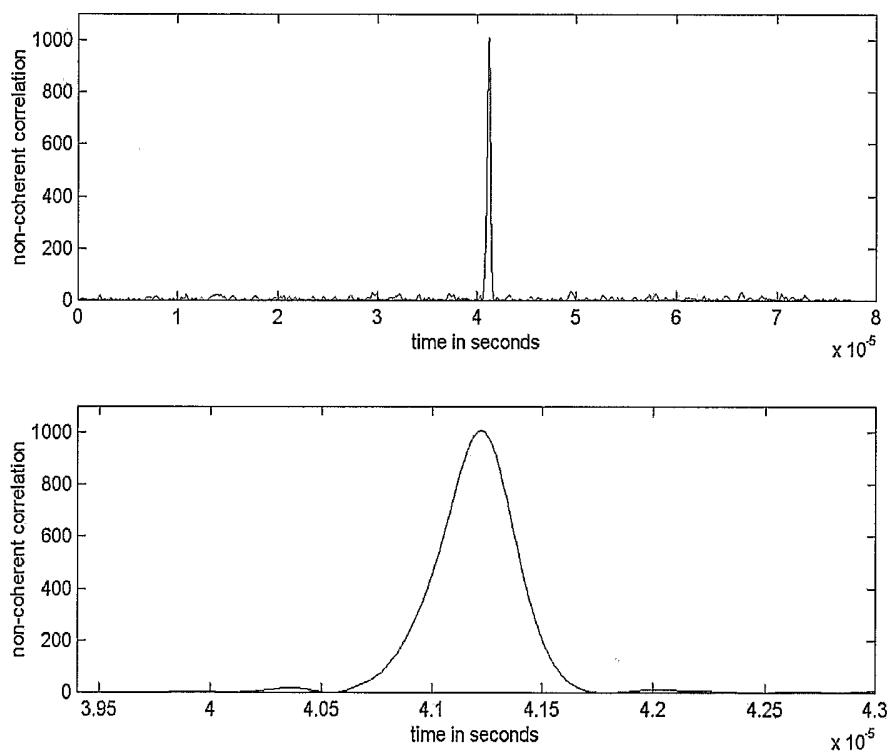


FIG. 14

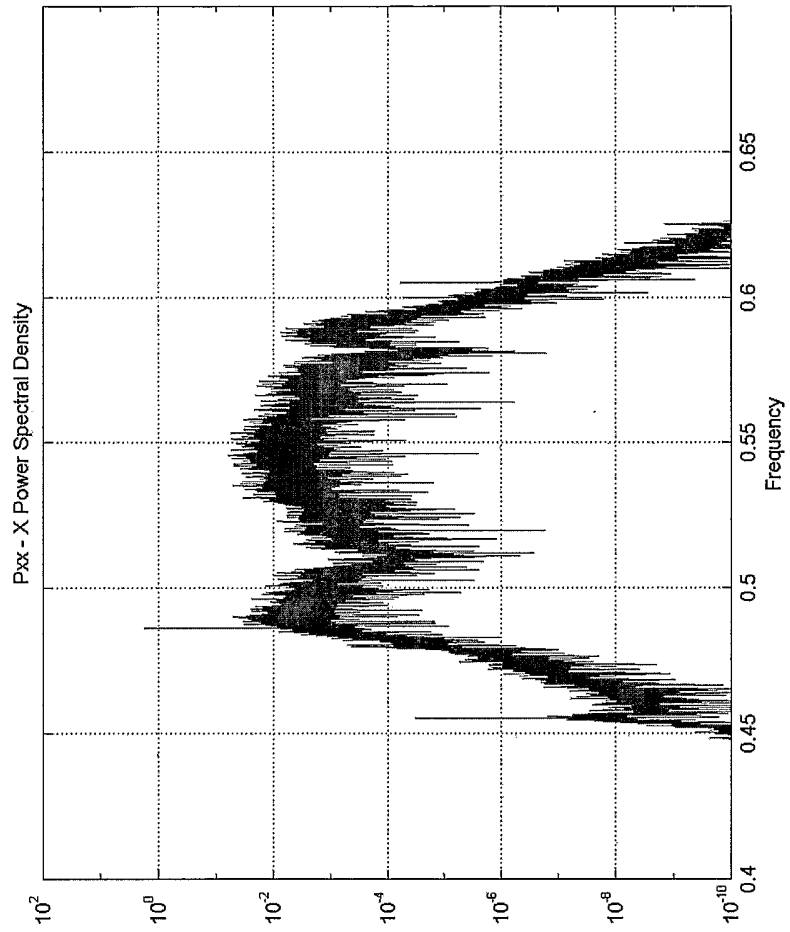


FIG. 15

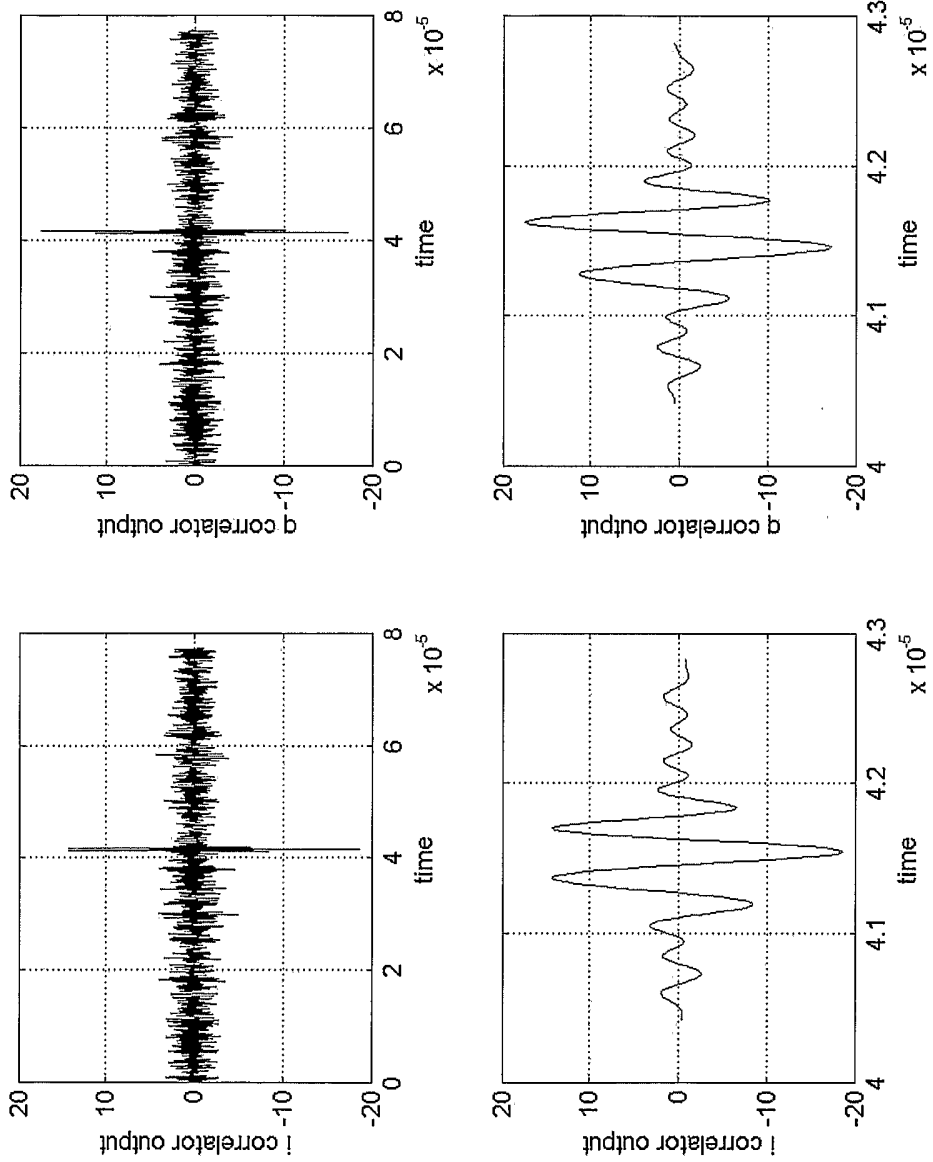


FIG. 16

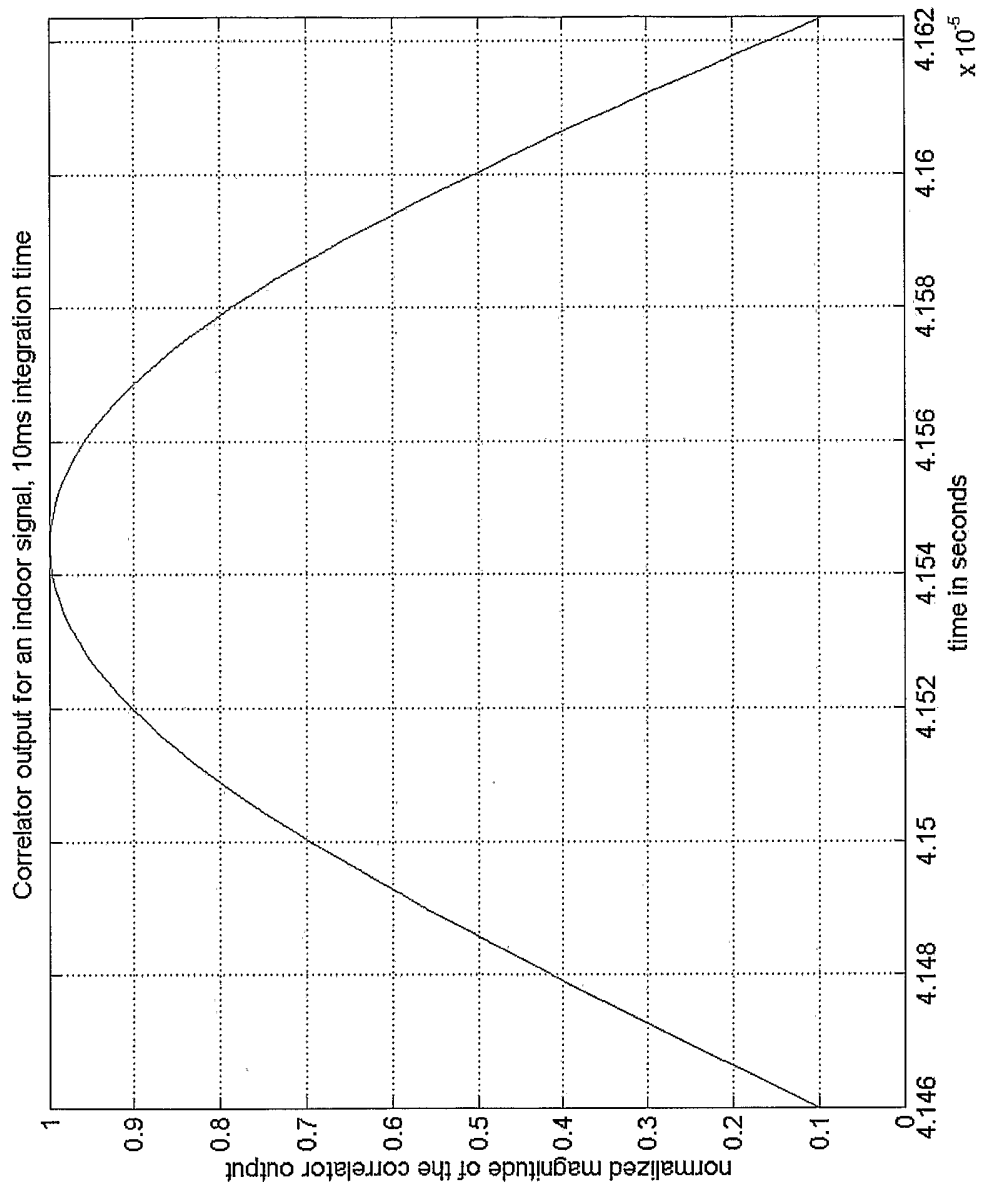


FIG. 17

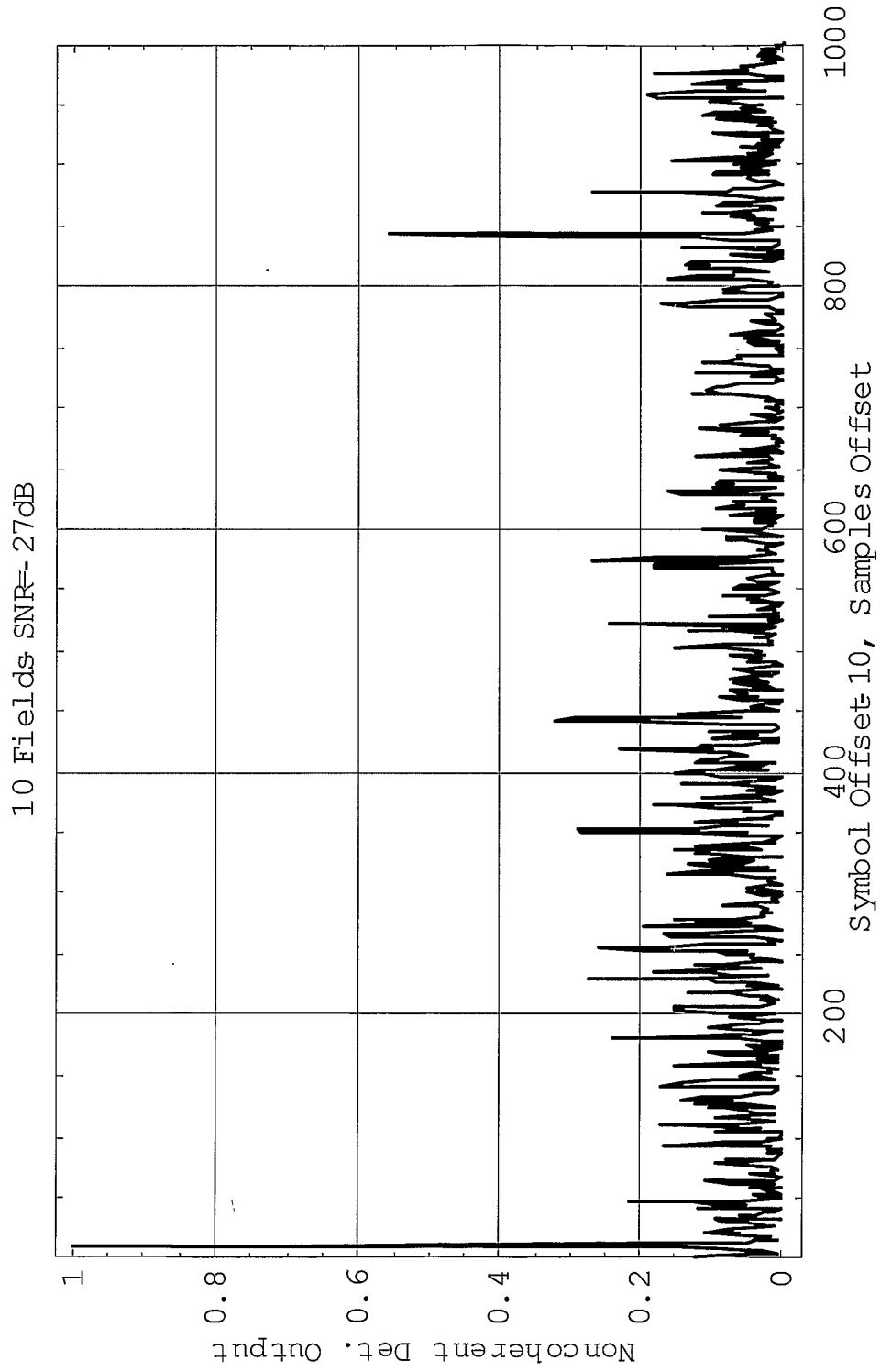


FIG. 18

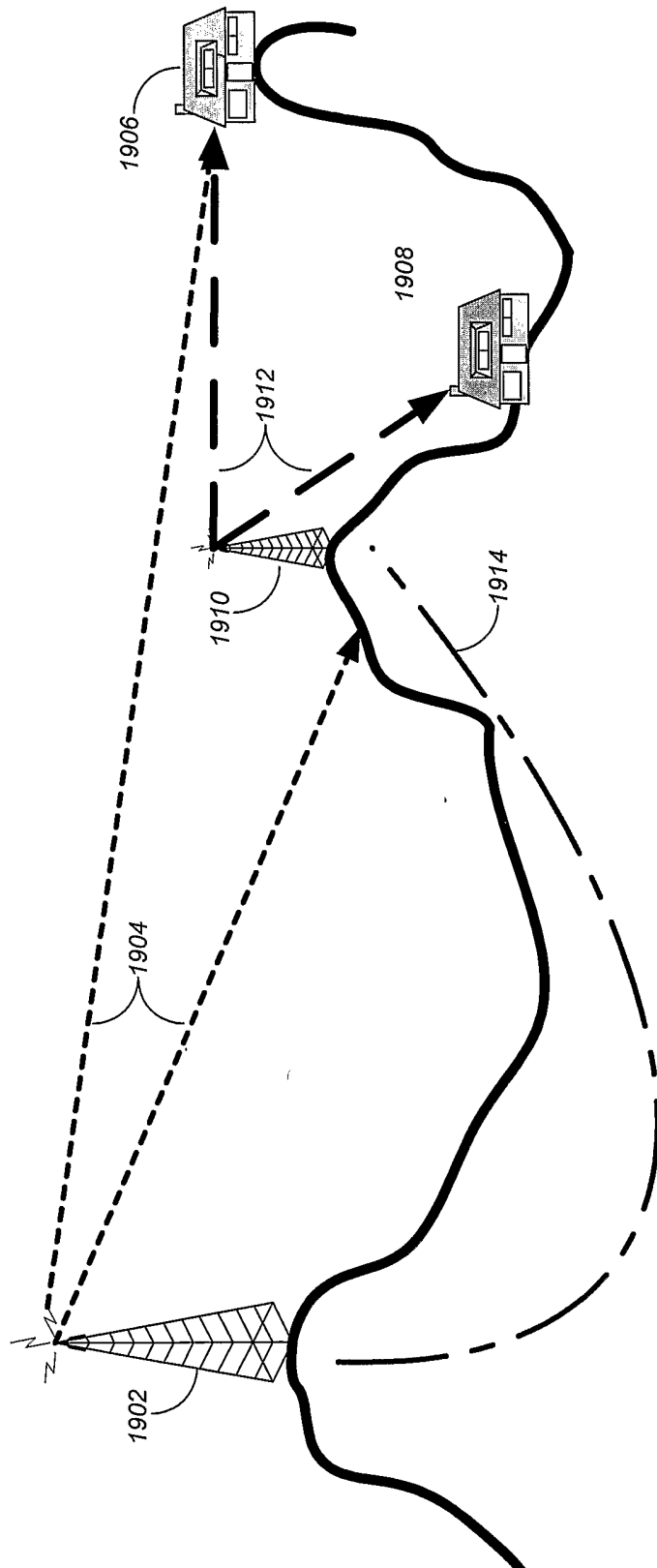


FIG. 19

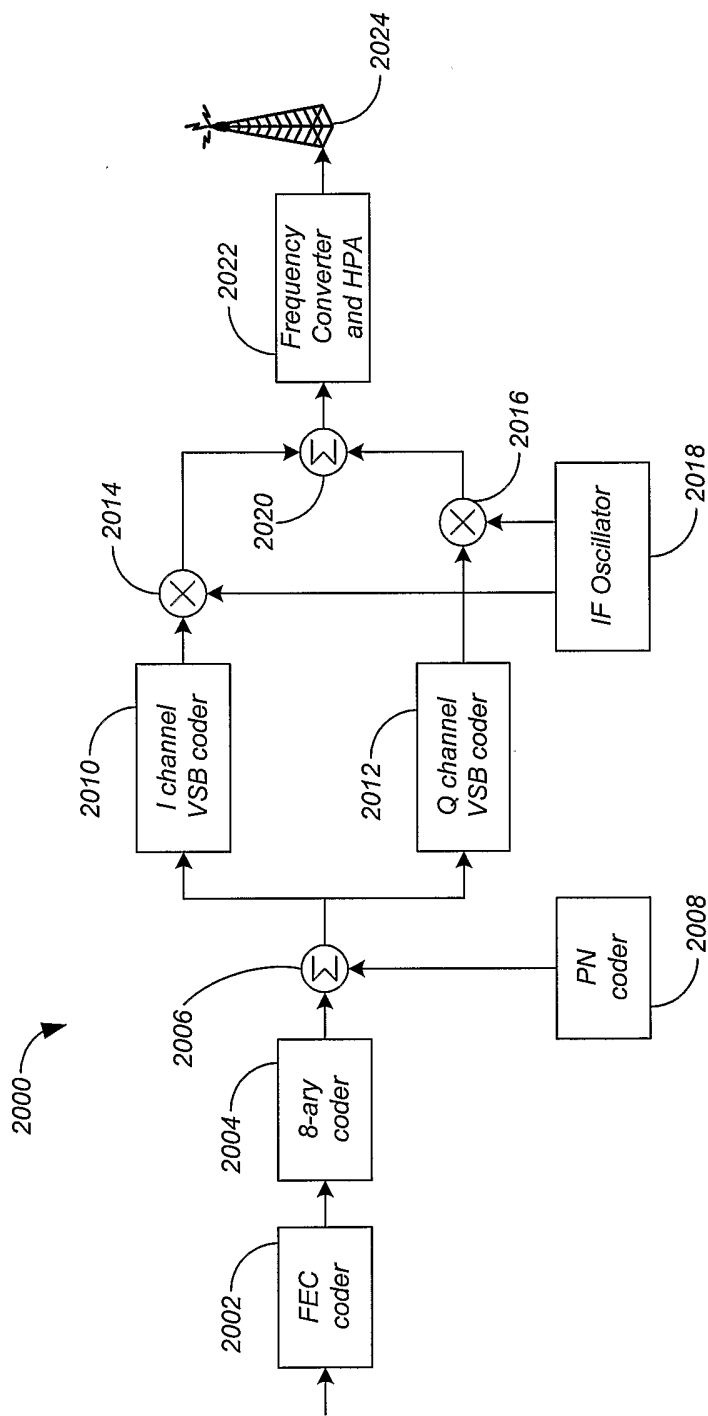


FIG. 20

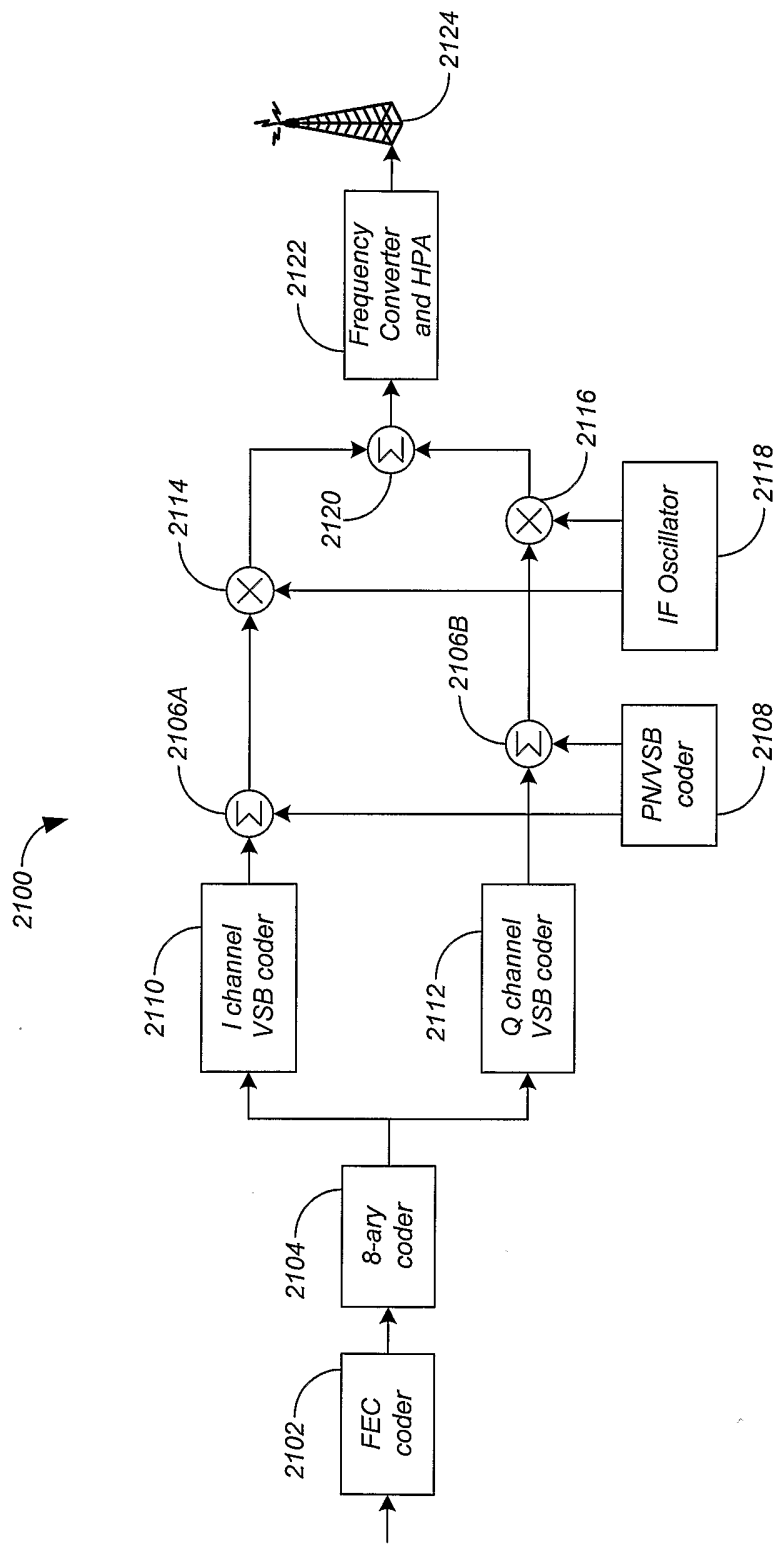


FIG. 21