



US00D677119S

(12) **United States Design Patent**
Ying

(10) **Patent No.:** **US D677,119 S**

(45) **Date of Patent:** **** Mar. 5, 2013**

(54) **STAINLESS STEEL BOTTLE LID**

(76) Inventor: **Lihang Ying**, Edmonton (CA)

(**) Term: **14 Years**

(21) Appl. No.: **29/396,773**

(22) Filed: **Jul. 7, 2011**

(51) **LOC (9) Cl.** **07-02**

(52) **U.S. Cl.** **D7/392.1**

(58) **Field of Classification Search** D7/305,
D7/314, 391, 392, 392.1, 394, 396.2, 511,
D7/900; D9/435, 436, 443, 447, 448, 449,
D9/450, 451, 453, 456, 631; 222/81, 83,
222/153.07, 158, 205, 519, 530, 533, 556;
220/200, 212.5; 215/306, 305, 228, 200
See application file for complete search history.

(56) **References Cited**

U.S. PATENT DOCUMENTS

3,119,541	A	*	1/1964	Lynn	229/5.5
D332,379	S	*	1/1993	Murphy	D7/391
D511,457	S	*	11/2005	Biesecker et al.	D9/443
D612,235	S	*	3/2010	Cresswell et al.	D9/443
D612,240	S	*	3/2010	Cresswell et al.	D9/504
D616,743	S	*	6/2010	Cresswell et al.	D9/443
D620,357	S	*	7/2010	Jewett et al.	D9/443
D630,475	S	*	1/2011	Lu	D7/629

* cited by examiner

Primary Examiner — Cynthia M Chin

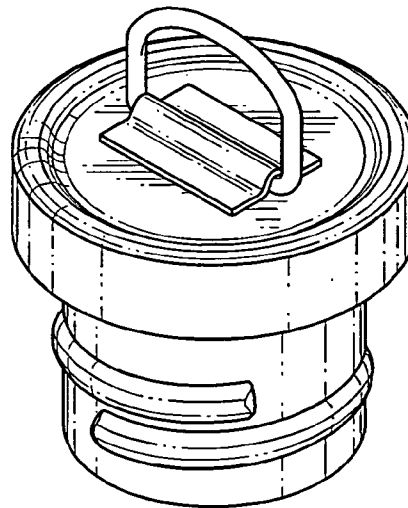
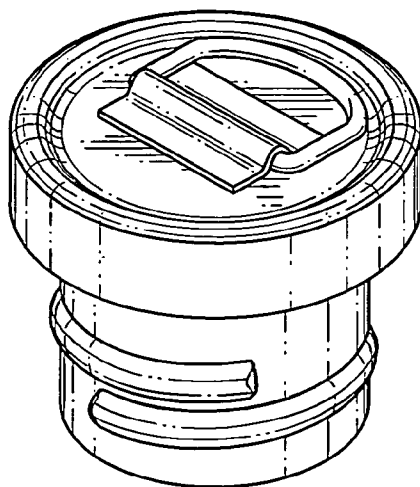
(57) **CLAIM**

The ornamental design for a stainless steel bottle lid, as shown and described.

DESCRIPTION

FIG. 1 is a perspective view of a stainless steel bottle lid;
 FIG. 2 is a front view of a stainless steel bottle lid;
 FIG. 3 is a rear view of a stainless steel bottle lid;
 FIG. 4 is a left side view of a stainless steel bottle lid;
 FIG. 5 is a right side view of a stainless steel bottle lid;
 FIG. 6 is a top view of a stainless steel bottle lid;
 FIG. 7 is a bottom view of a stainless steel bottle lid;
 FIG. 8 is an alternate perspective view having the handle rotated of a stainless steel bottle lid;
 FIG. 9 is a front view having the handle rotated of a stainless steel bottle lid;
 FIG. 10 is a rear view having the handle rotated of a stainless steel bottle lid;
 FIG. 11 is a left side view having the handle rotated of a stainless steel bottle lid;
 FIG. 12 is a right side view having the handle rotated of a stainless steel bottle lid;
 FIG. 13 is a top view having the handle rotated of a stainless steel bottle lid; and,
 FIG. 14 is a bottom view having the handle rotated of a stainless steel bottle lid.
 The broken lines shown in the Figures depict environmental subject matter only and form no part of the claimed design.

1 Claim, 2 Drawing Sheets



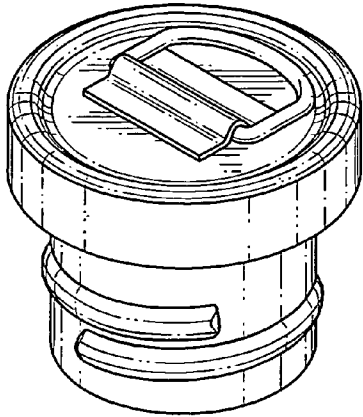


FIG. 1

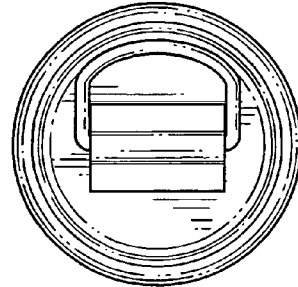


FIG. 6

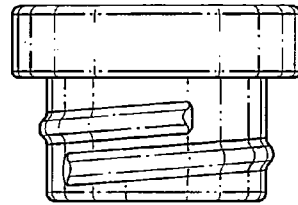


FIG. 4

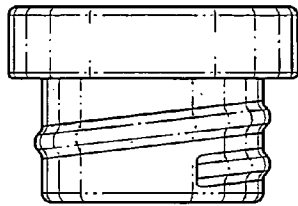


FIG. 2

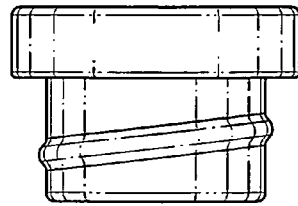


FIG. 5

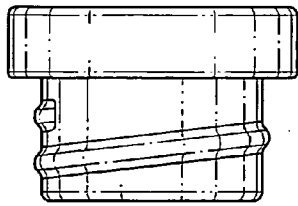


FIG. 3

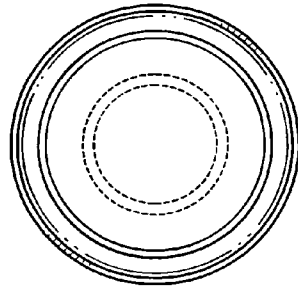


FIG. 7

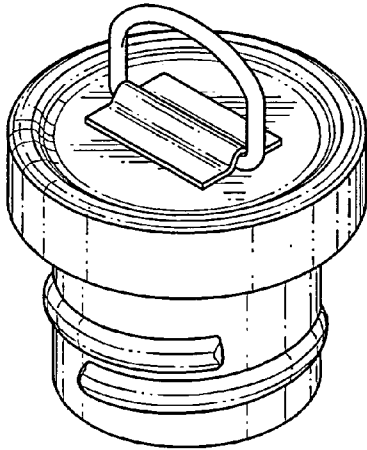


FIG. 8

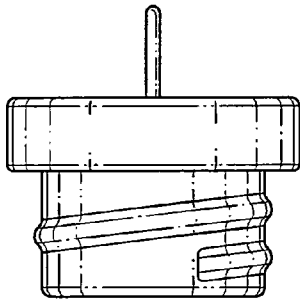


FIG. 9

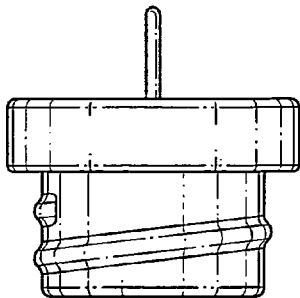


FIG. 10

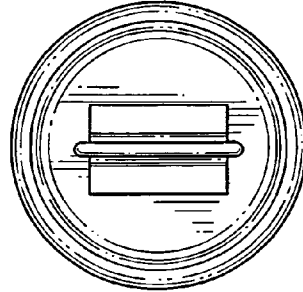


FIG. 13

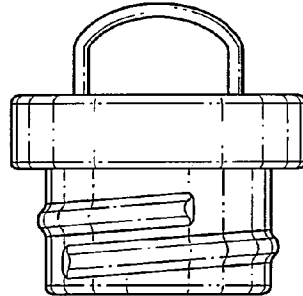


FIG. 11

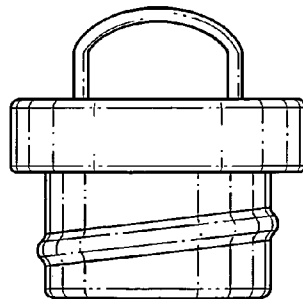


FIG. 12

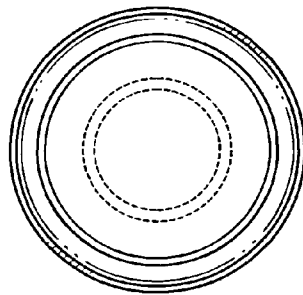


FIG. 14