

(12) **United States Design Patent** (10) **Patent No.:** **US D833,392 S**
Frye et al. (45) **Date of Patent:** **** Nov. 13, 2018**

- (54) **ELECTRICAL CONNECTOR HOUSING**
- (71) Applicant: **Phoenix Contact Development and Manufacturing, Inc.**, Middletown, PA (US)
- (72) Inventors: **Scott Michael Frye**, Palmyra, PA (US); **Talon Coe Kephart**, Lancaster, PA (US); **Gerwin Mueller**, Kiel (DE); **Gerd Witt**, Kiel (DE)
- (73) Assignee: **Phoenix Contact Development and Manufacturing, Inc.**, Middletown, PA (US)

(**) Term: **15 Years**

(21) Appl. No.: **29/591,367**

(22) Filed: **Jan. 19, 2017**

Related U.S. Application Data

- (62) Division of application No. 29/530,032, filed on Jun. 12, 2015, now Pat. No. Des. 786,796.
- (51) **LOC (11) Cl.** **13-03**
- (52) **U.S. Cl.**
 USPC **D13/133**
- (58) **Field of Classification Search**
 USPC D13/110, 112, 118, 123, 133, 149, 154, D13/158-160, 173, 184, 199

(Continued)

(56) **References Cited**

U.S. PATENT DOCUMENTS

- D367,041 S 2/1996 Alfaro et al.
 D442,557 S * 5/2001 Hubler D13/162
 (Continued)

OTHER PUBLICATIONS

Phoenix Contact, "FB-PS— . . EX", catalog pages, publication date not known but prior to Jun. 12, 2015, published in the United States, 7 pages.

(Continued)

Primary Examiner — Angela J Lee
Assistant Examiner — Shawn T Gingrich
 (74) *Attorney, Agent, or Firm* — Hooker & Habib, P.C.

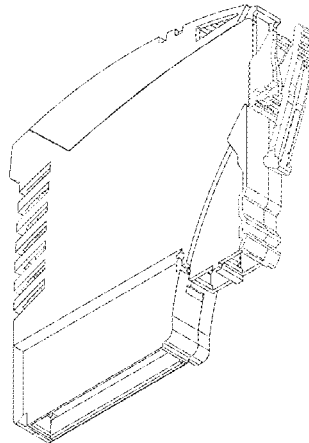
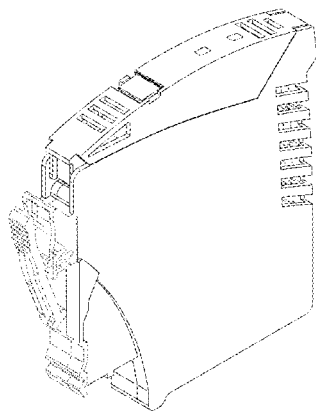
(57) **CLAIM**

The ornamental design for an electrical connector housing, as shown and described.

DESCRIPTION

FIG. 1 is a front view of an electrical connector housing showing our new design.
 FIG. 2 is a back view of the electrical connector housing shown in FIG. 1.
 FIG. 3 is a top view of the electrical connector housing shown in FIG. 1.
 FIG. 4 is a left side view of the electrical connector housing shown in FIG. 1.
 FIG. 5 is a right side view of the electrical connector housing shown in FIG. 1.
 FIG. 6 is a bottom view of the electrical connector housing shown in FIG. 1.
 FIG. 7 is a front-top-left side perspective view of the electrical connector housing shown in FIG. 1.
 FIG. 8 is a front-bottom-left side perspective view of the electrical connector housing shown in FIG. 1.
 FIG. 9 is a back-top-left side perspective view of the electrical connector housing shown in FIG. 1.
 FIG. 10 is a back-bottom-left side perspective view of the electrical connector housing shown in FIG. 1.
 FIG. 11 is a front-bottom-right side perspective view of the electrical connector housing shown in FIG. 1.
 FIG. 12 is a back-bottom-right side perspective view of the electrical connector housing shown in FIG. 1.
 FIG. 13 is a front-top-right side perspective view of the electrical connector housing shown in FIG. 1; and,
 FIG. 14 is a back-top-right side perspective view of the electrical connector housing shown in FIG. 1.
 The broken line portions of the figure drawings are included only to show unclaimed subject matter and claim boundaries which do not represent a structural line and form no part of the claimed design.

1 Claim, 12 Drawing Sheets



(58) **Field of Classification Search**

CPC H01R 13/00; H01R 13/44; H01R 13/62;
 H01R 13/63; H02J 7/00; H02B 1/01;
 F02N 17/00; B60L 1/02; H01H 9/00;
 H01H 9/02; H02G 3/14

See application file for complete search history.

D786,796 S * 5/2017 Frye D13/133
 2001/0034165 A1* 10/2001 Landis H01R 13/6658
 439/716
 2012/0071038 A1 3/2012 Ondusko et al.
 2012/0081828 A1 4/2012 Gillespie et al.
 2015/0056835 A1 12/2015 Wu

(56)

References Cited

U.S. PATENT DOCUMENTS

D538,754 S * 3/2007 Sasaki D13/159
 D541,754 S * 5/2007 Sasaki D13/159
 D567,191 S 4/2008 Eichinger
 D659,650 S 5/2012 Kang
 D685,331 S 7/2013 Correll et al.
 D693,776 S 11/2013 Skowranek et al.
 D694,191 S 11/2013 Lien et al.
 8,921,713 B2* 12/2014 Eriksson H01H 9/0066
 174/541
 D752,514 S 3/2016 Hoppmann et al.
 9,407,019 B2* 8/2016 Falk H01R 9/2608

OTHER PUBLICATIONS

Dhoenix Contact, "RAD-WHG/WLAN-XD", catalog pages, publication date not known but prior to Jun. 12, 2015, published in the United States, 5 pages.

Phoenix Contact, "Electronics housing for industrial electronics and semi-industrial applications", catalog pages, publication date not known but prior to Jun. 12, 2015, published in the United States, 5 pages.

Phoenix Contact, "PI-EX-AIS", catalog pages, publication date not known but prior to Jun. 12, 2015, published in the United States, 7 pages.

* cited by examiner

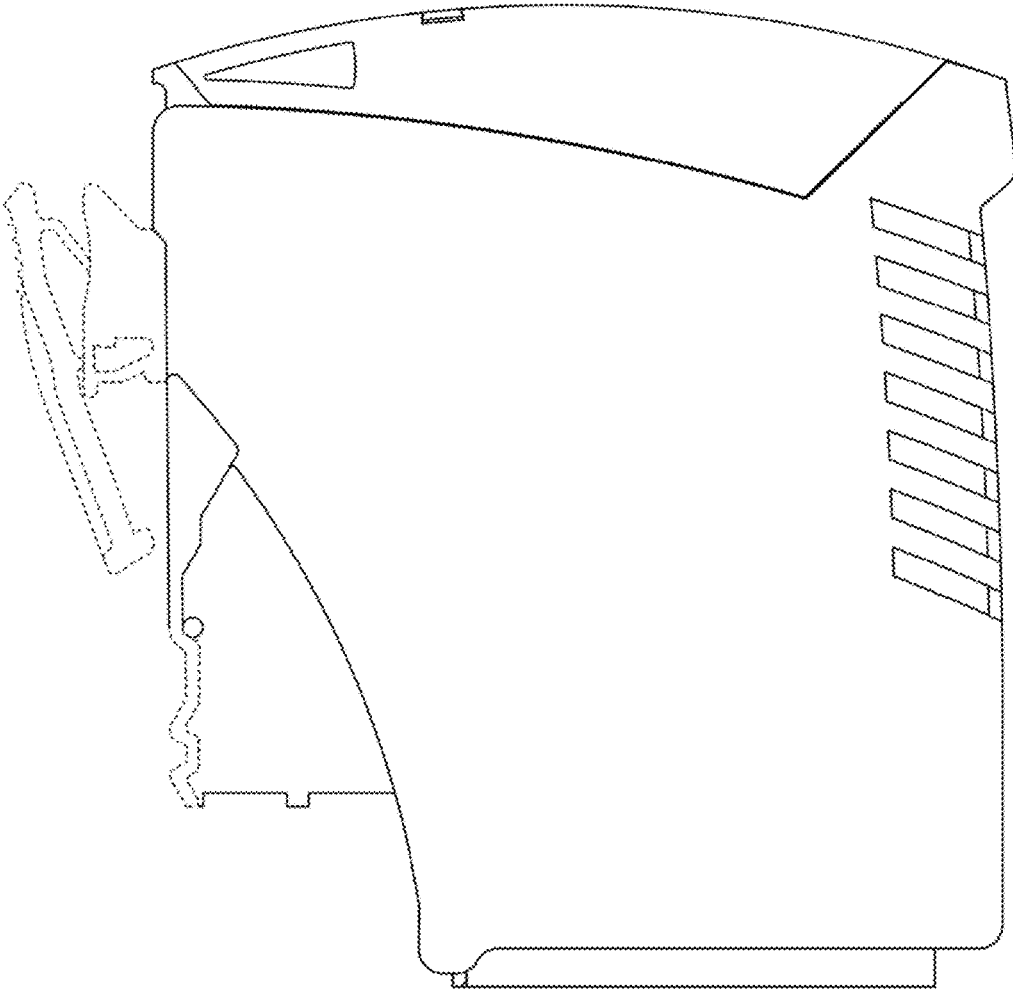


FIG. 1

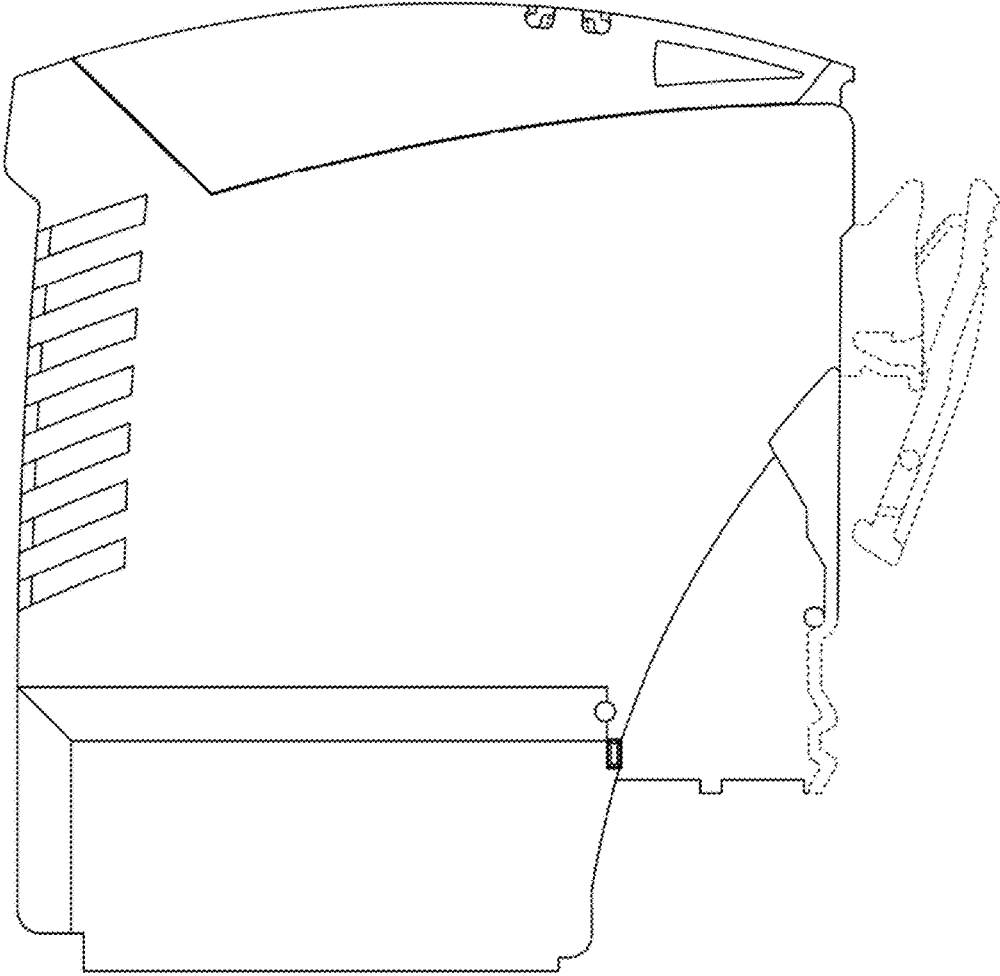


FIG. 2

FIG. 3

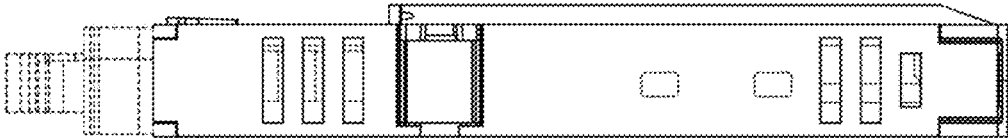


FIG. 6

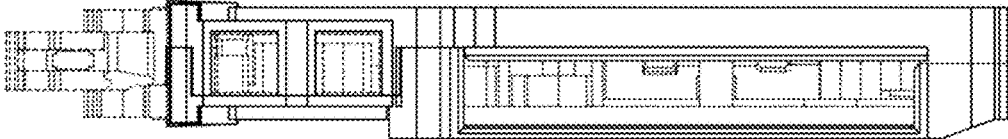


FIG. 4

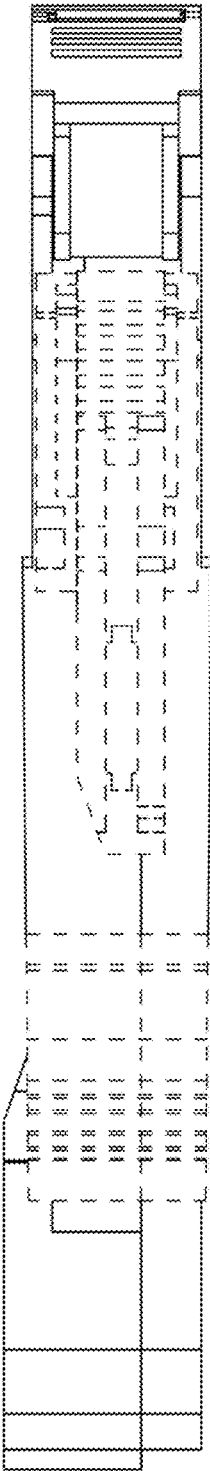
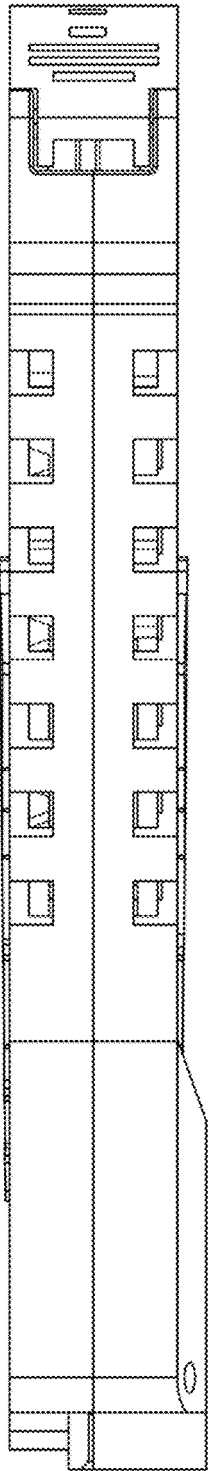


FIG. 5



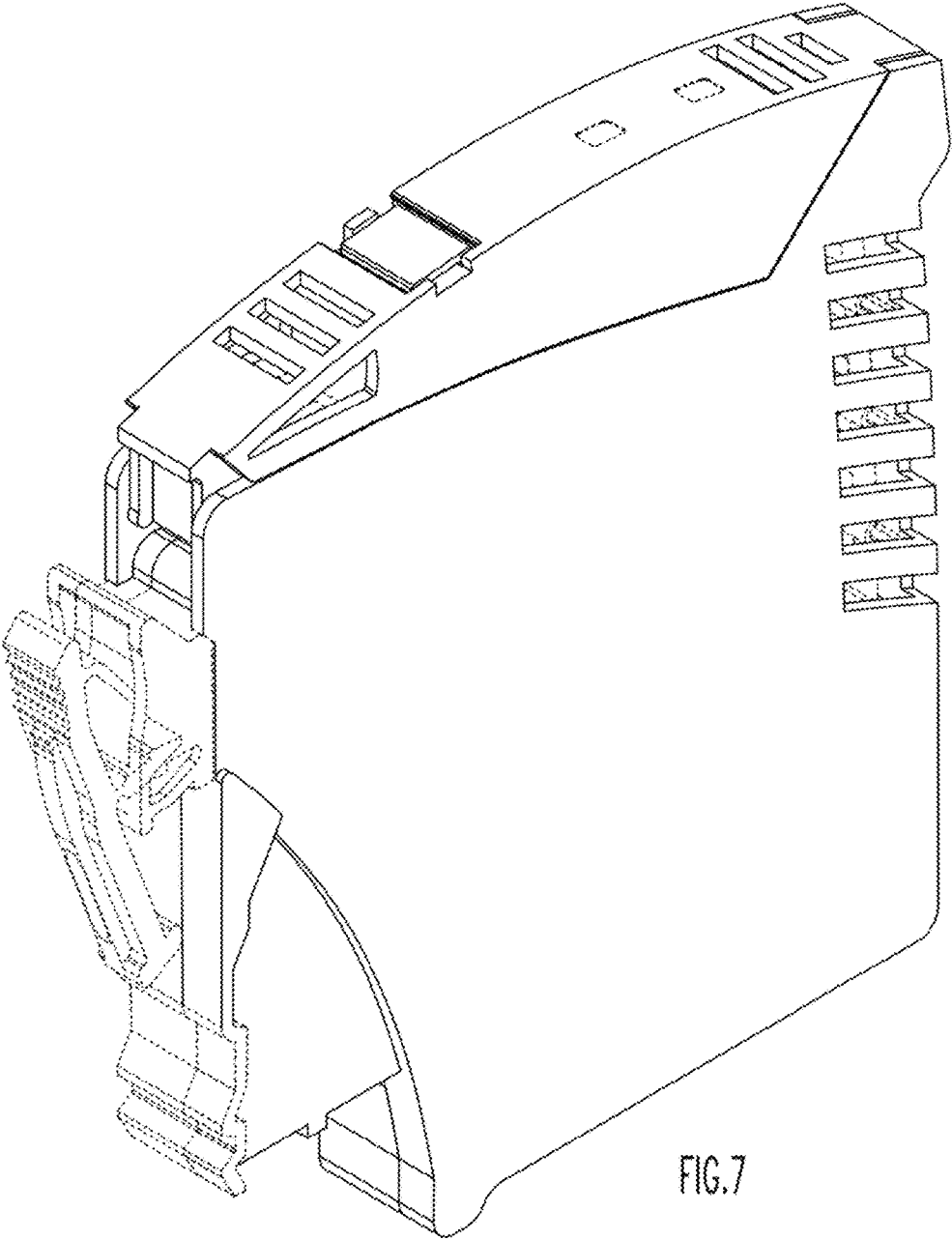


FIG. 7

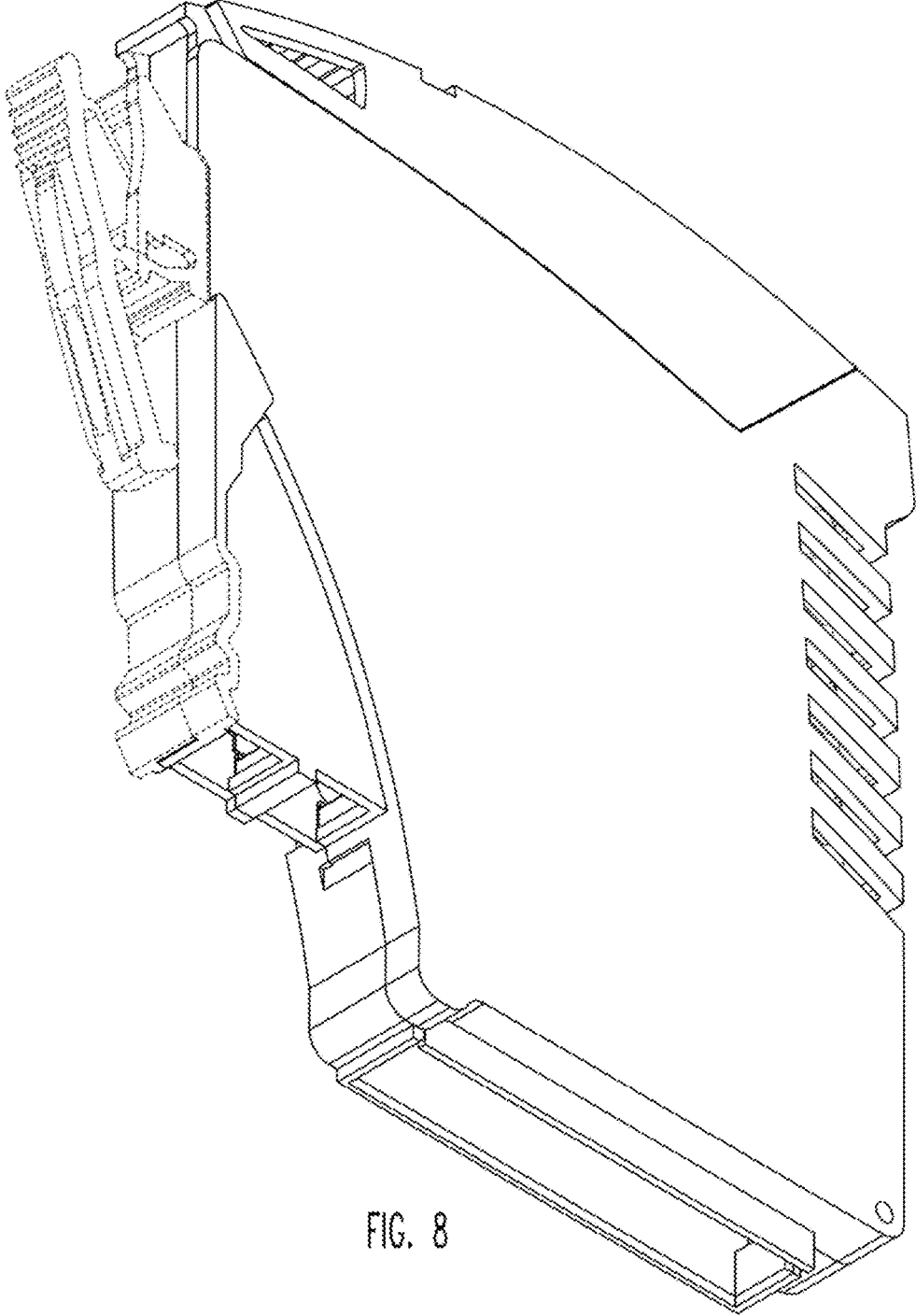


FIG. 8

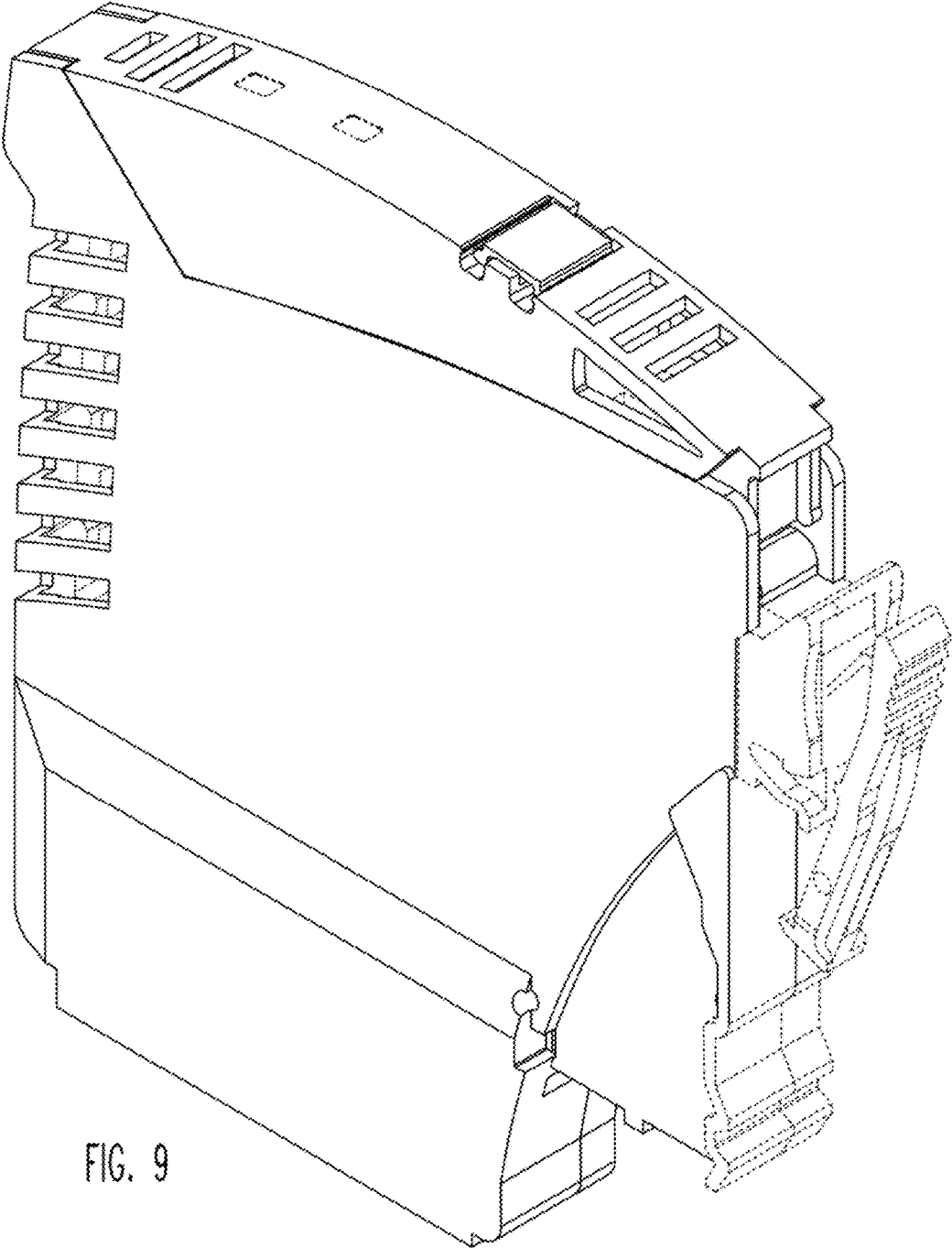


FIG. 9

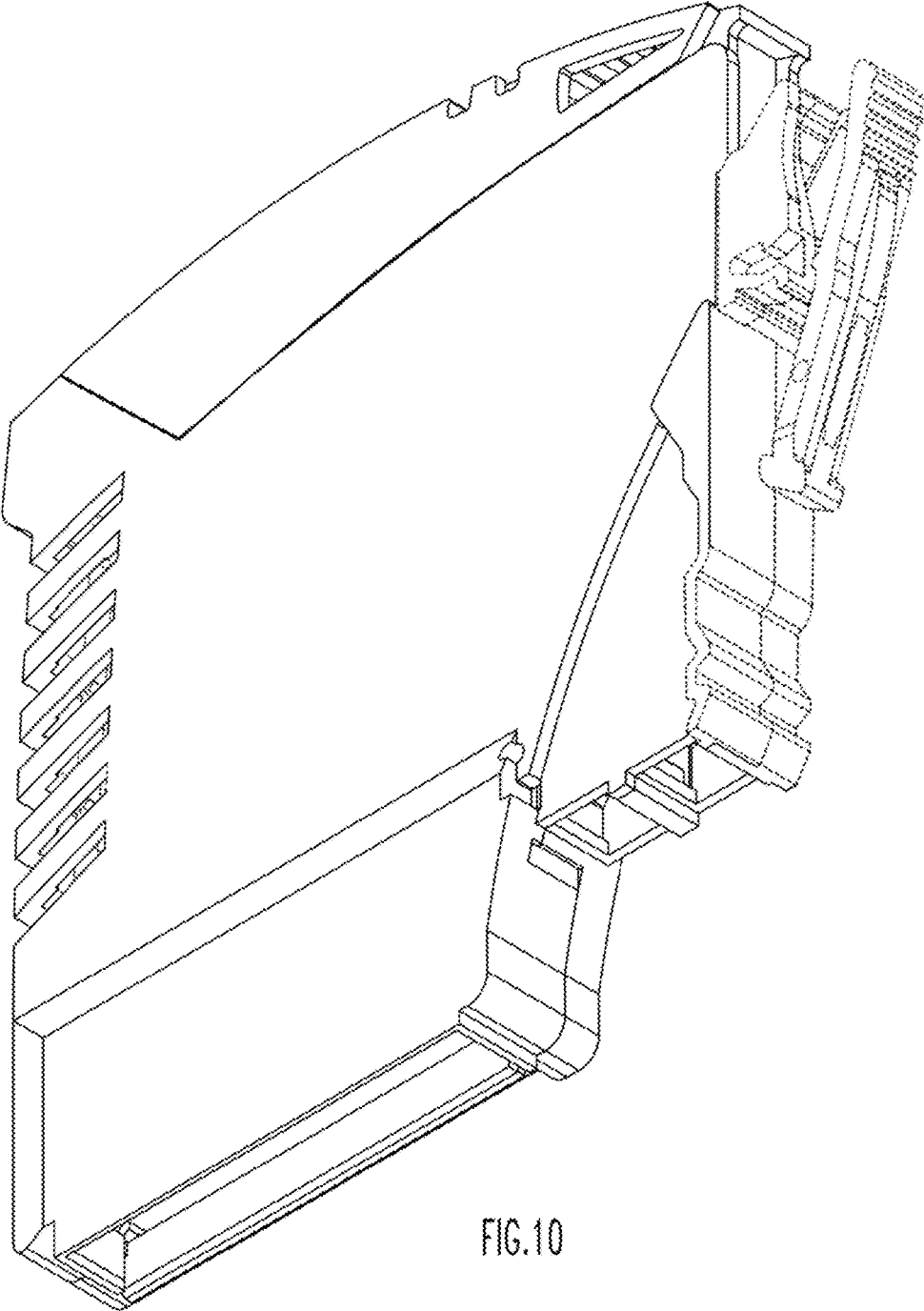
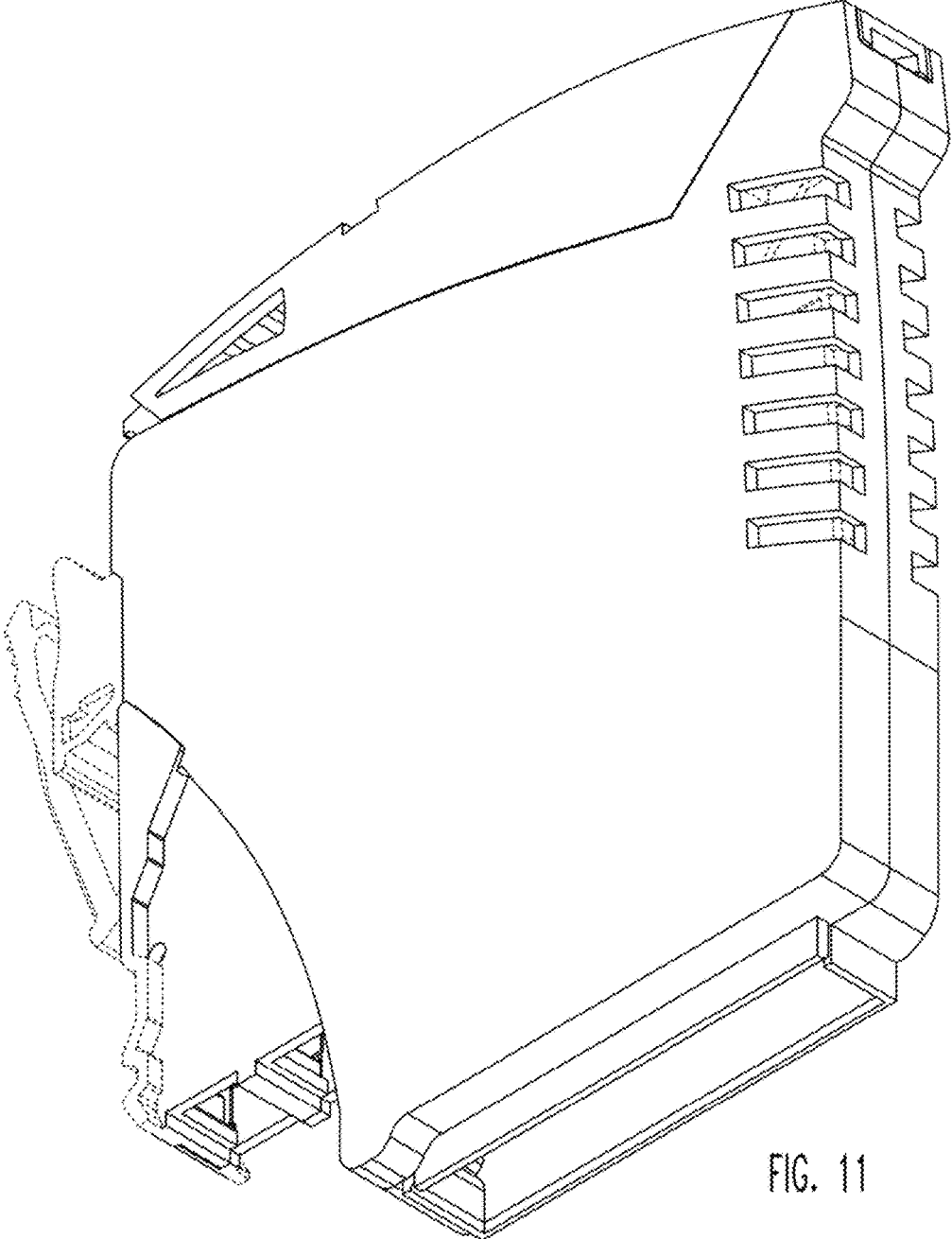


FIG. 10



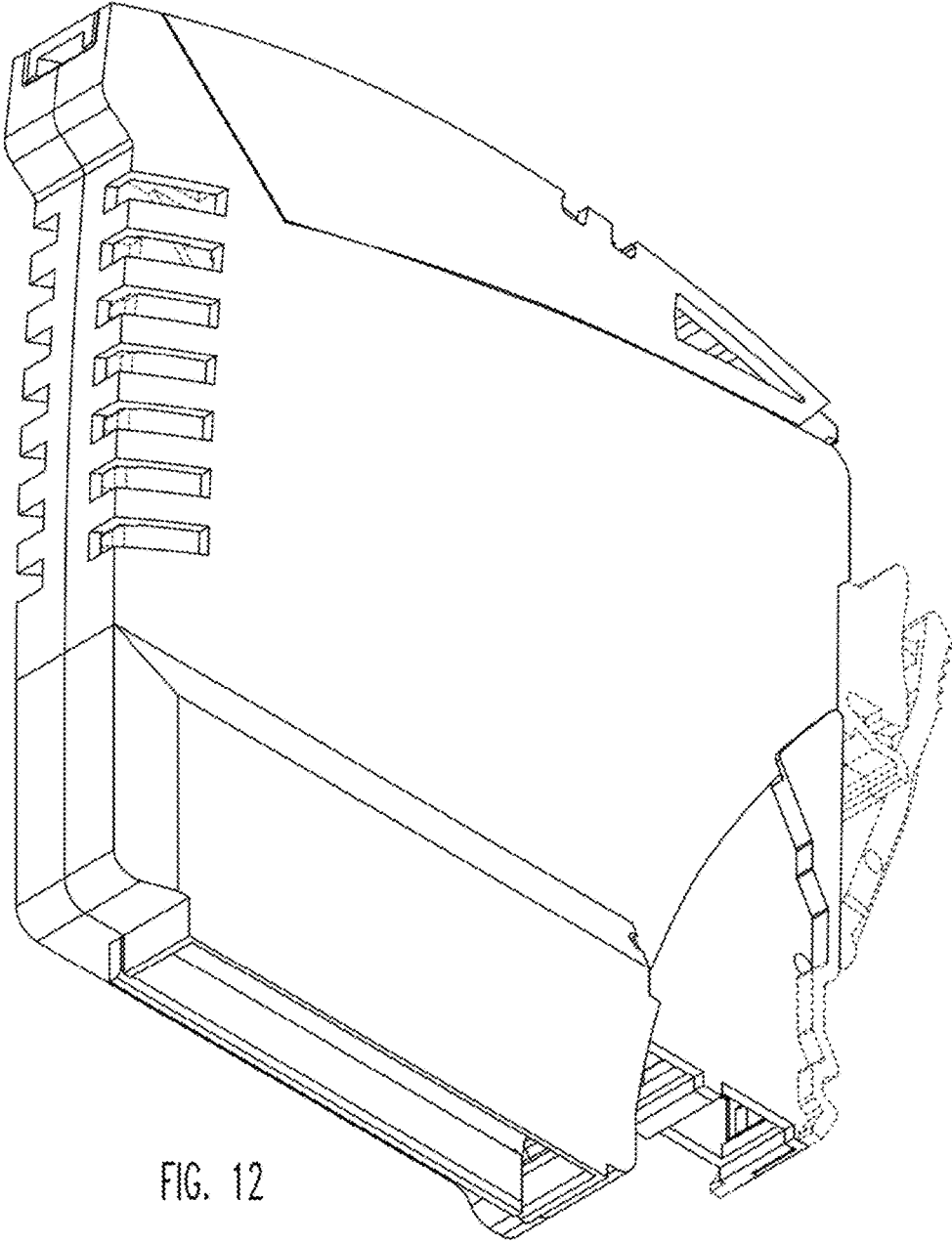


FIG. 12

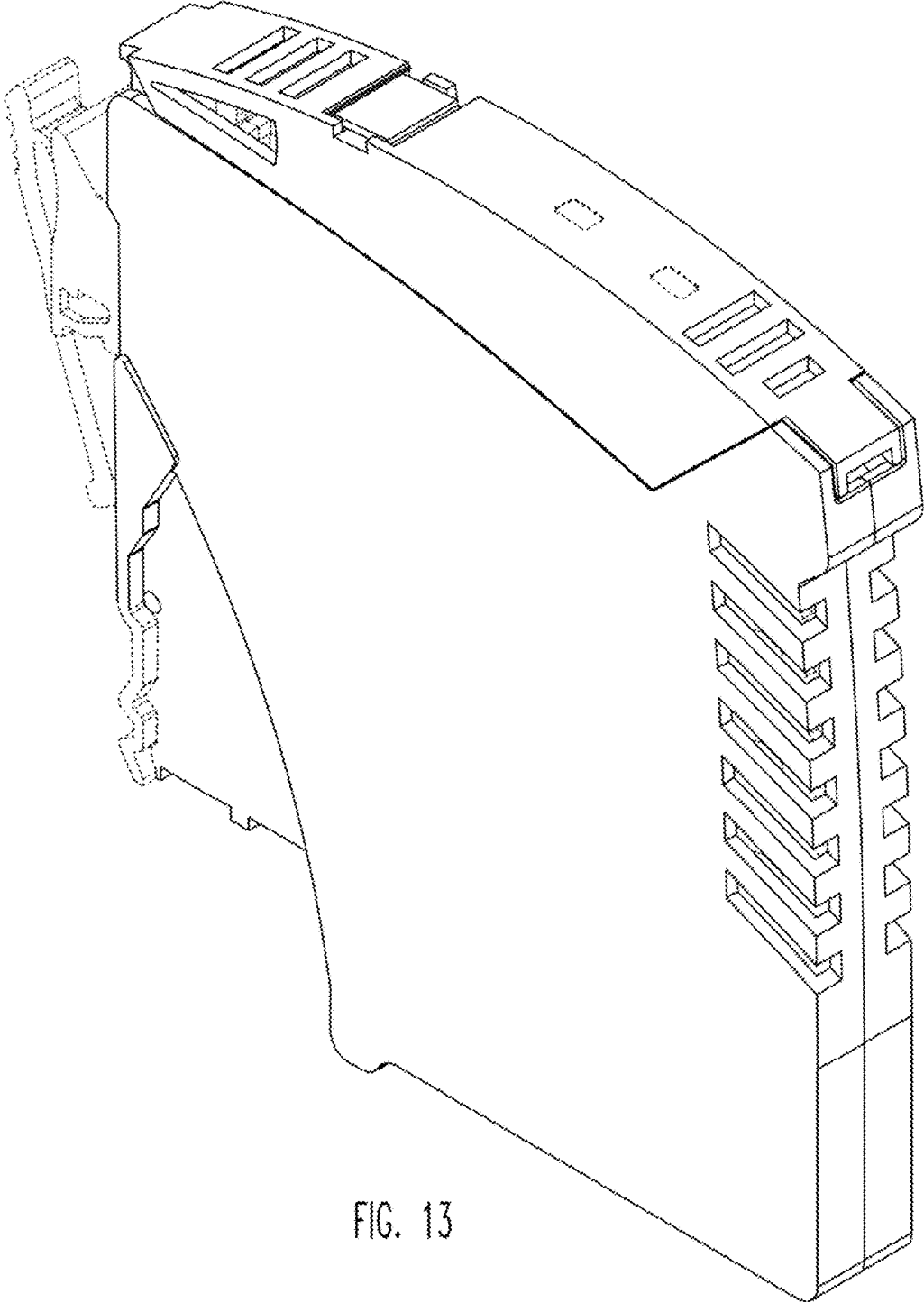


FIG. 13

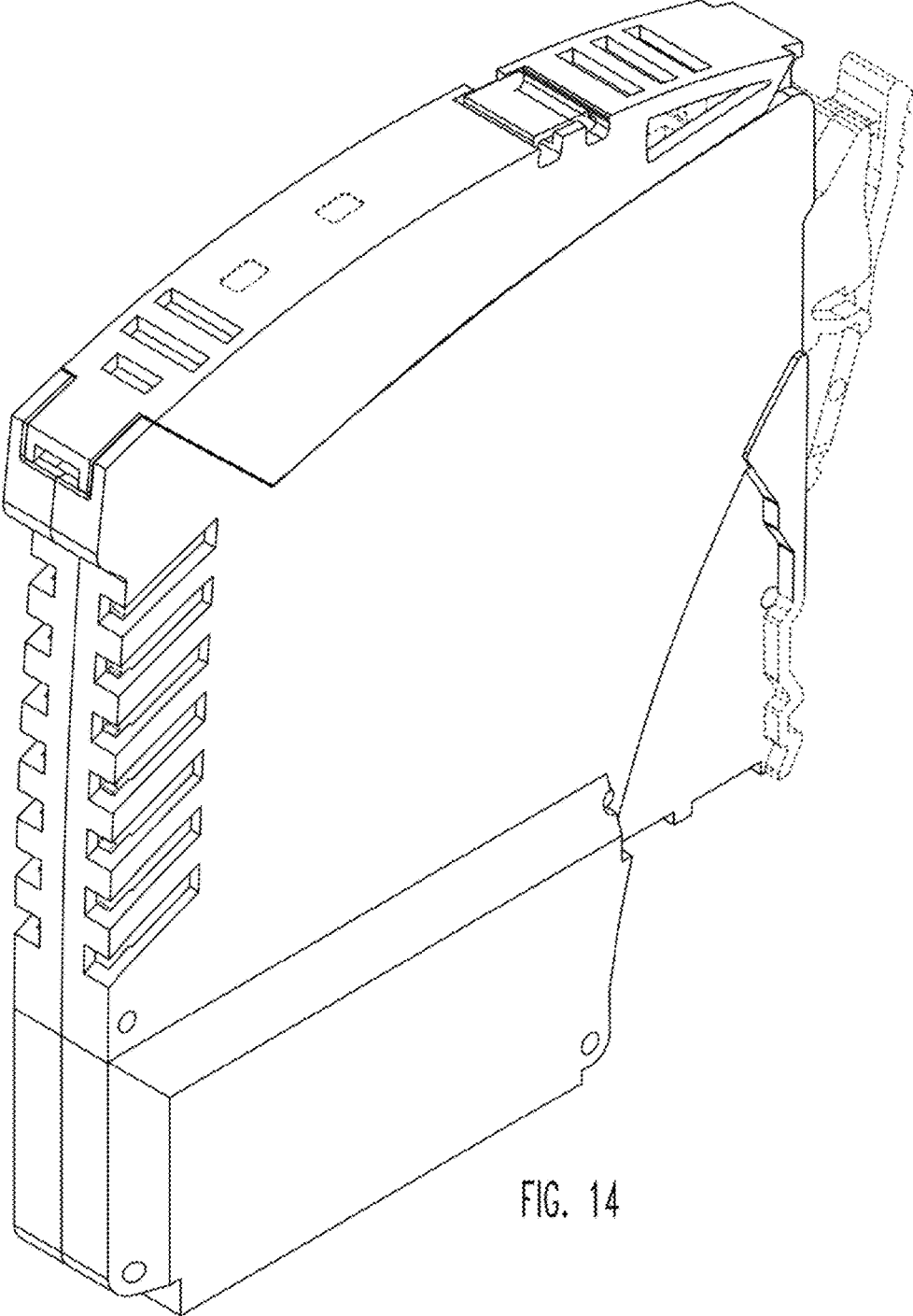


FIG. 14