



US00D939882S

(12) **United States Design Patent**  
**Veatch, III et al.**

(10) **Patent No.:** **US D939,882 S**  
(45) **Date of Patent:** **\*\* Jan. 4, 2022**

- (54) **PORTABLE GRILL CASING**
- (71) Applicant: **Nomad Grills, LLC**, Dallas, TX (US)
- (72) Inventors: **John Joseph Veatch, III**, Dallas, TX (US); **Cameron Mills Leggett**, Dallas, TX (US)
- (73) Assignee: **Nomad Grills, LLC**, Dallas, TX (US)
- (\*\*) Term: **15 Years**
- (21) Appl. No.: **29/769,358**
- (22) Filed: **Feb. 4, 2021**

4,392,477	A	7/1983	Milligan	
D326,792	S *	6/1992	Rodgers	D7/337
D353,488	S *	12/1994	Lin	D3/276
D358,204	S	5/1995	Ferrier	
D412,808	S *	8/1999	Hinton	D7/362
D439,407	S *	3/2001	Parker	D3/276

(Continued)

**OTHER PUBLICATIONS**

Pelican, Pelican 1200 Case With Foam, Dec. 6, 2007, Amazon, <https://www.amazon.com/Pelican-1200-Case-Foam-Black/dp/B0002INQT2>(Year: 2007).\*

(Continued)

*Primary Examiner* — Brett Miller  
(74) *Attorney, Agent, or Firm* — Craig Thompson; Thompson Patent Law; Timothy D. Snowden

(57) **CLAIM**

The ornamental design for a portable grill casing, as shown and described.

**DESCRIPTION**

FIG. 1 is a front, top and right perspective view of a portable grill casing showing the new design;  
 FIG. 2 is a front elevation view of the portable grill casing of FIG. 1;  
 FIG. 3 is a back elevation view of the portable grill casing of FIG. 1;  
 FIG. 4 is a top plan view of the portable grill casing of FIG. 1;  
 FIG. 5 is a bottom plan view of the portable grill casing of FIG. 1;  
 FIG. 6 is a left side elevation view of the portable grill casing of FIG. 1; and,  
 FIG. 7 is a right side elevation view of the portable grill casing of FIG. 1.  
 The broken lines illustrate portions of the portable grill casing that form no part of the claimed design.

**1 Claim, 7 Drawing Sheets**

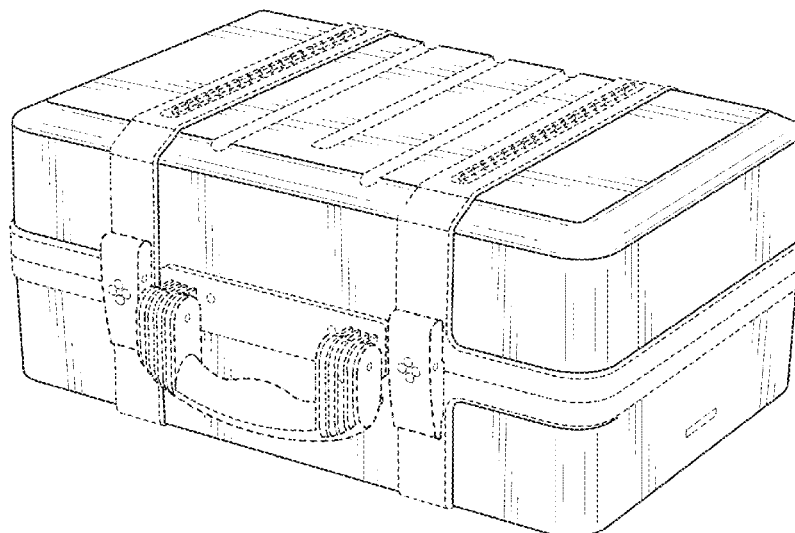
**Related U.S. Application Data**

- (63) Continuation of application No. 29/711,390, filed on Oct. 30, 2019, now Pat. No. Des. 915,122, which is a continuation of application No. 16/265,639, filed on Feb. 1, 2019, now Pat. No. 11,000,155.
- (51) **LOC (13) Cl.** ..... **07-02**
- (52) **U.S. Cl.**  
USPC ..... **D7/337; D3/294**
- (58) **Field of Classification Search**  
USPC ..... D7/332-337, 402-409, 352, 353, D7/360-362; D23/415; D3/276, 291, D3/294  
CPC .... A47J 37/0704; A47J 37/0763; A47J 37/07; A47J 37/0786; A47J 2037/0777; A47J 37/0713; F24C 3/14; F24C 1/16; F24C 5/20  
See application file for complete search history.

(56) **References Cited**

**U.S. PATENT DOCUMENTS**

D193,589	S	9/1962	Friday	
3,478,194	A	11/1969	Lescure	
D227,850	S *	7/1973	Benson	D7/337
D245,220	S *	8/1977	Chan	D7/337
D251,893	S	5/1979	Chan	



(56)

References Cited

U.S. PATENT DOCUMENTS

D453,624 S \* 2/2002 Itzkovitch ..... D3/276  
 D461,051 S 8/2002 Cheng .....  
 D461,360 S \* 8/2002 Bossier ..... D7/337  
 D469,298 S \* 1/2003 Hinton ..... D7/332  
 6,644,298 B2 11/2003 Hermansen et al.  
 D498,114 S \* 11/2004 Zhang ..... D7/337  
 D549,036 S \* 8/2007 Chung ..... D7/337  
 D576,444 S 9/2008 Chung  
 D577,534 S 9/2008 Chung  
 7,438,071 B2 10/2008 Johnson et al.  
 D610,862 S \* 3/2010 Chung ..... D7/337  
 D613,059 S \* 4/2010 Horiyama ..... D3/294  
 D619,808 S \* 7/2010 Huang ..... D3/276  
 7,802,565 B2 9/2010 Bruno  
 D677,109 S \* 3/2013 Chung ..... D7/337  
 D771,994 S 11/2016 Zemel et al.  
 D773,817 S 12/2016 Hower  
 D784,064 S 4/2017 Hebert, Jr. et al.  
 D806,463 S 1/2018 Gloger  
 D819,331 S 6/2018 Ballou et al.  
 D819,387 S 6/2018 Stein

D843,156 S 3/2019 Hebert, Jr. et al.  
 D850,200 S 6/2019 Jiang  
 D874,143 S 2/2020 Seibert  
 D877,510 S \* 3/2020 Christen ..... D3/294  
 D902,587 S 11/2020 Zhu  
 2002/0020144 A1 2/2002 Sarles et al.  
 2008/0060633 A1 3/2008 Antwine  
 2016/0174298 A1 6/2016 Moon et al.  
 2016/0356502 A1 \* 12/2016 Hebert, Jr. .... F24C 1/16  
 2019/0239687 A1 8/2019 Veatch, III et al.

OTHER PUBLICATIONS

Cuisinart CGG-180T Petit Gourmet Portable Tabletop Propane Gas Grill, as early as May 24, 2015, Amazon, <https://www.amazon.com/Cuisinart-CGG-180T-Gourmet-Portable-Tabletop/dp/B004H4WWA6> (Year: 2015).  
 Go-Anywhere Charcoal Grill, Weber Grills, n.d. [online], [retrieved on Jan. 31, 2019]. Retrieved from the Internet.  
 Mon Oncle bbq, RS Barcelona, n.d [online], [retrieved on Sep. 31, 2019]. Retrieved from the Internet.

\* cited by examiner

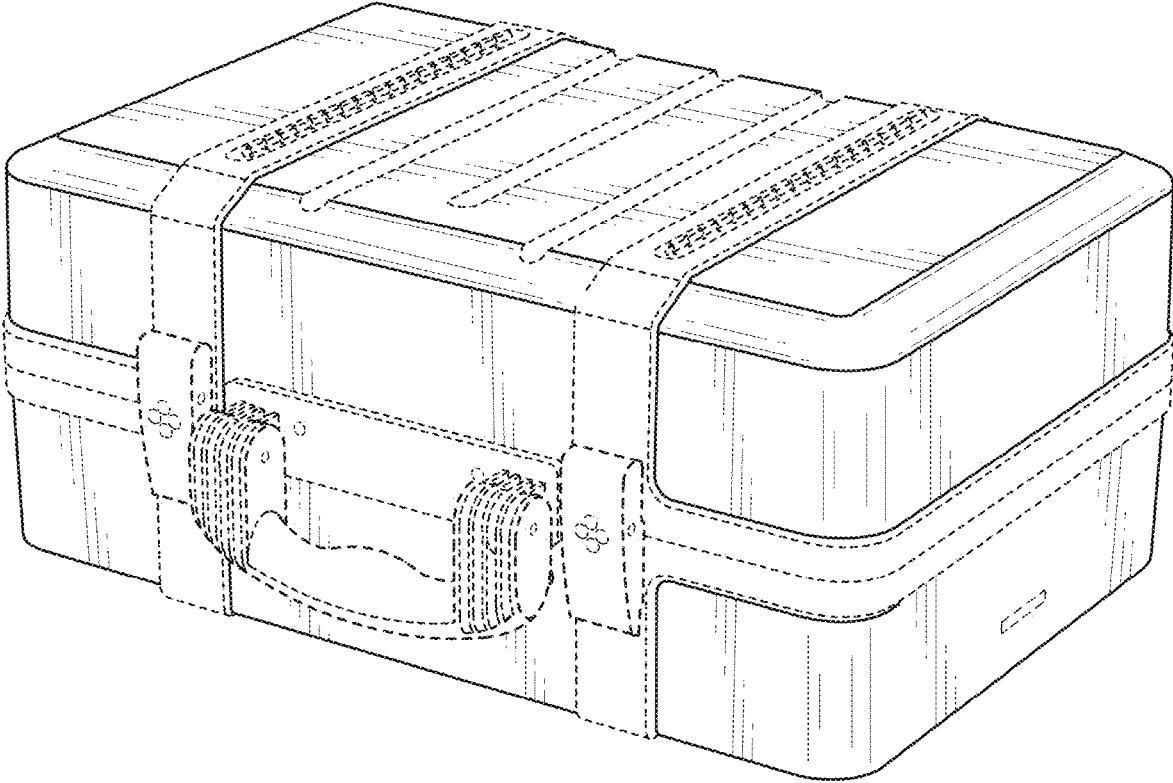


FIG. 1

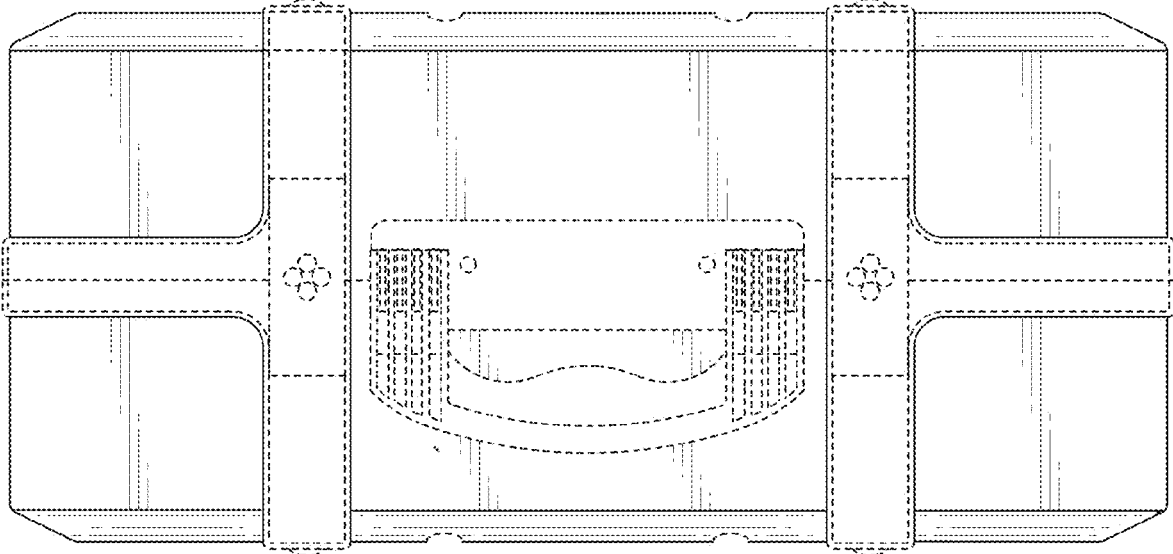


FIG. 2

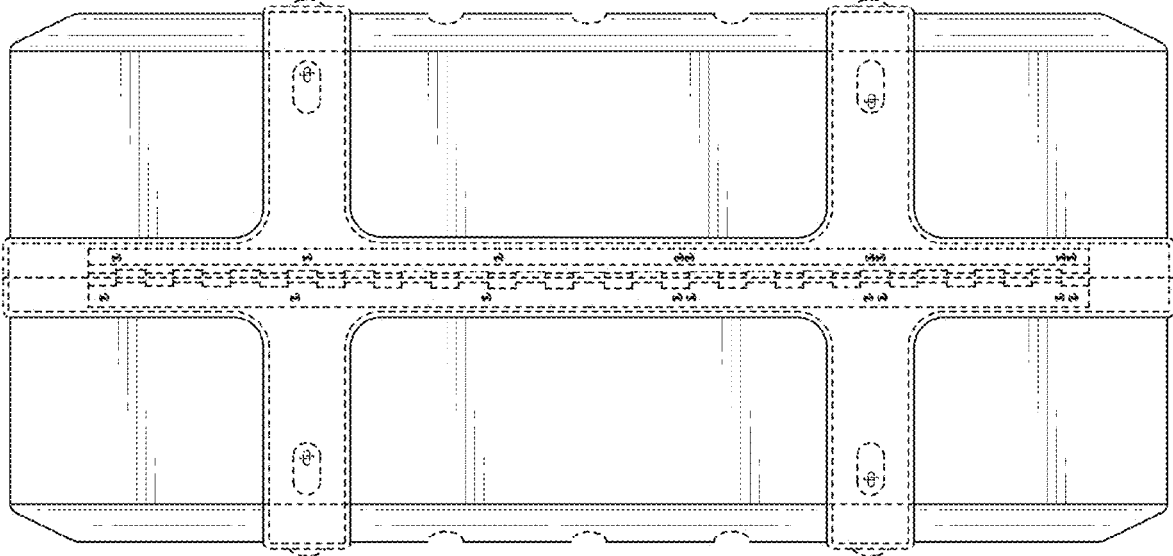


FIG. 3

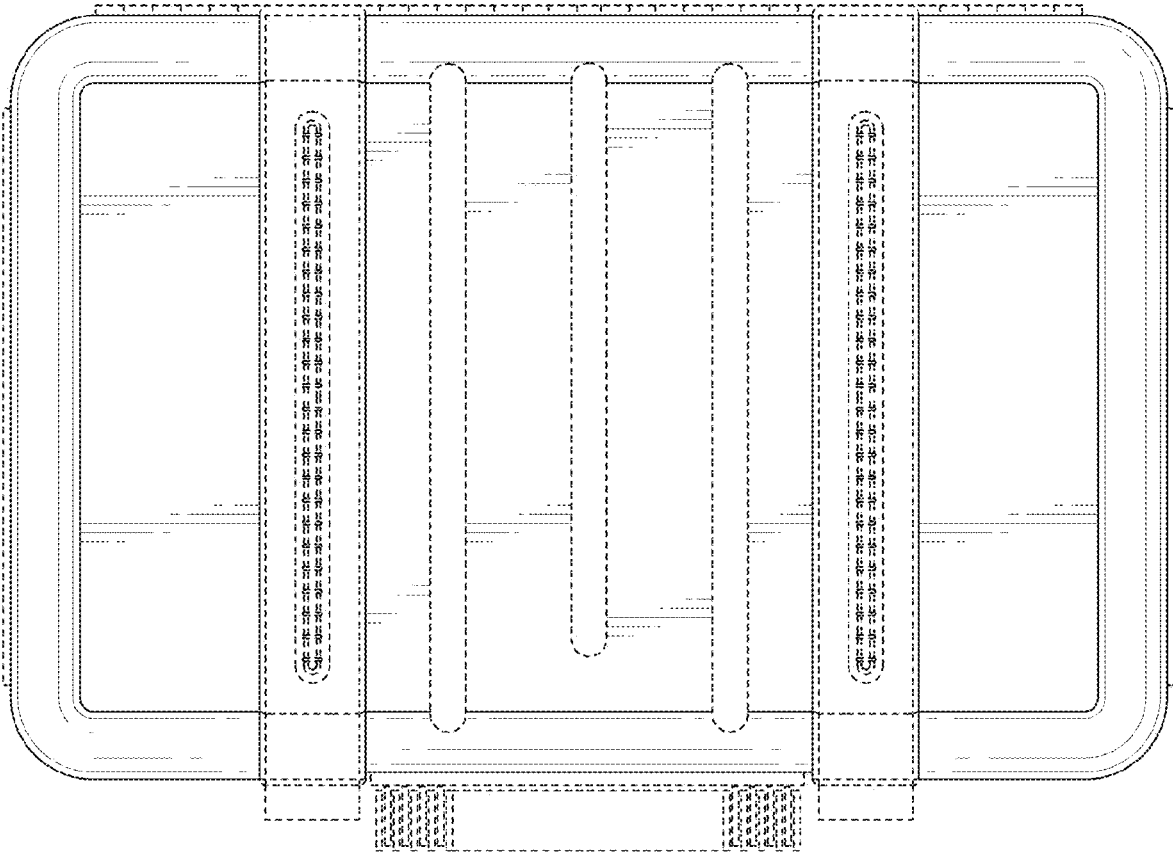


FIG. 4

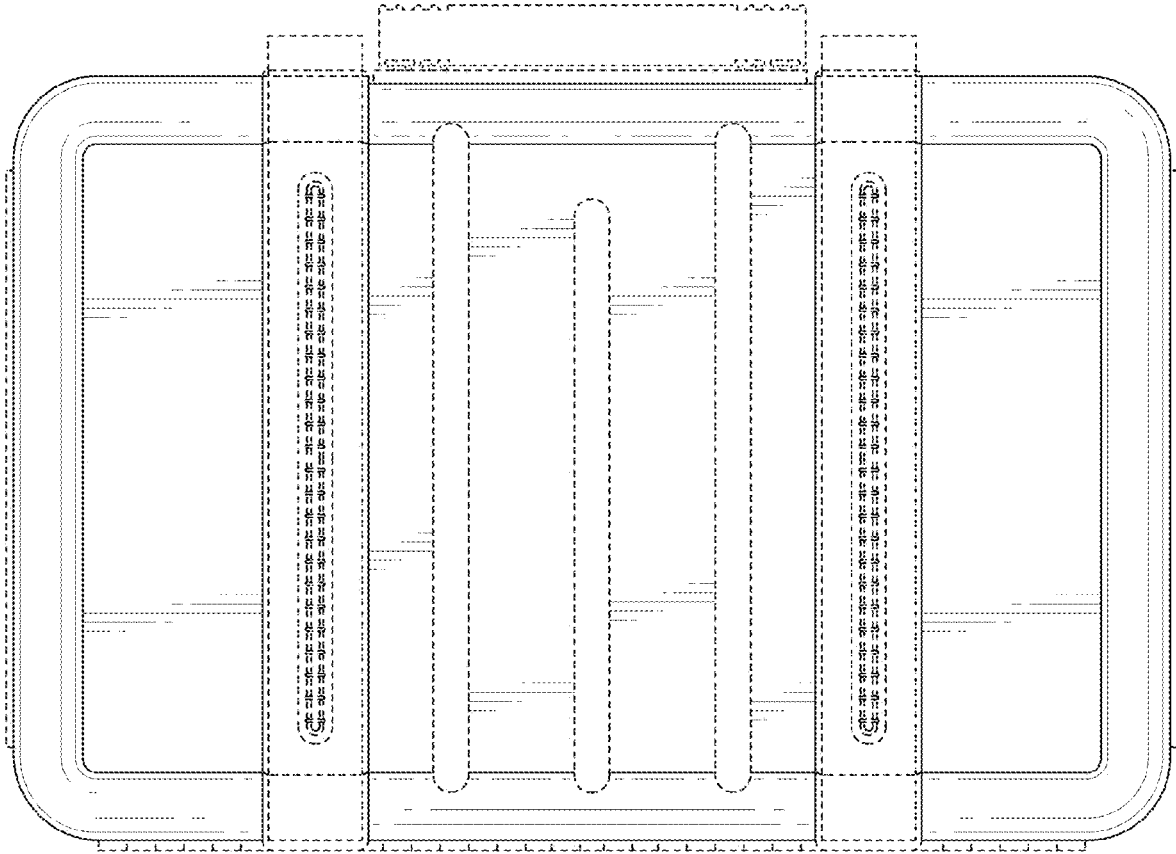


FIG. 5

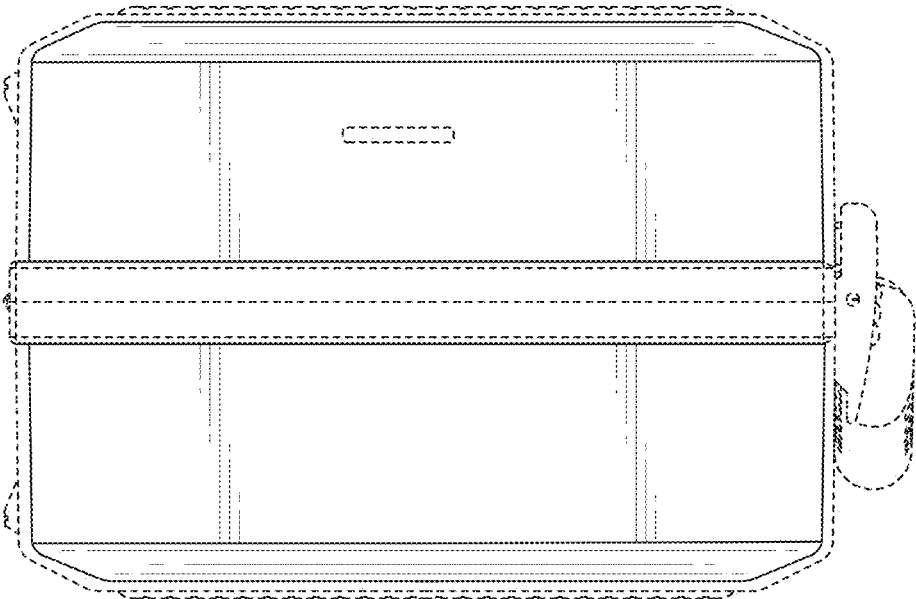


FIG. 6



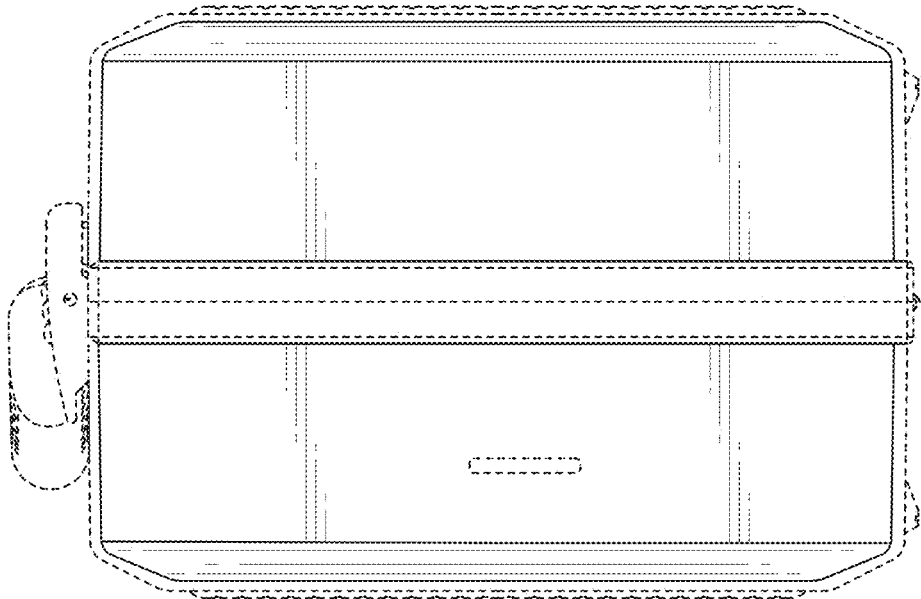


FIG. 7