



US00D921757S

(12) **United States Design Patent** (10) **Patent No.:** **US D921,757 S**
Lee et al. (45) **Date of Patent:** **** Jun. 8, 2021**

(54) DIGITAL SIGN	D661,124 S * 6/2012 Curbbun G09F 13/18 D6/675
(71) Applicant: LG ELECTRONICS INC. , Seoul (KR)	D708,459 S * 7/2014 Heirakuji D6/675 D709,952 S * 7/2014 Logan D20/10 D820,825 S * 6/2018 Foster D14/307 D866,226 S * 11/2019 Burton D6/672 D880,590 S * 4/2020 Stafford D20/10 D886,197 S * 6/2020 Lee G02B 6/0091 D20/39
(72) Inventors: Yoonkyeong Lee , Seoul (KR); Jaewon Lim , Seoul (KR); Yongho Lee , Seoul (KR)	D901,948 S * 11/2020 Burton D6/675 2016/0217718 A1 * 7/2016 Silver G09F 13/18
(73) Assignee: LG Electronics Inc. , Seoul (KR)	

* cited by examiner

(**) Term: **15 Years**

(21) Appl. No.: **35/508,652**

Primary Examiner — Robert M. Spear

(22) Filed: **Aug. 21, 2019**

(74) *Attorney, Agent, or Firm* — Birch, Stewart, Kolasch & Birch, LLP

(80) **Hague Agreement Data**

Int. Filing Date: **Aug. 21, 2019**
Int. Reg. No.: **DM/204654**
Int. Reg. Date: **Aug. 21, 2019**
Int. Reg. Pub. Date: **Feb. 14, 2020**

(57) **CLAIM**

The ornamental design for a digital sign, as shown and described.

(30) **Foreign Application Priority Data**

Feb. 26, 2019 (KR) 30-2019-0008465

(51) **LOC (13) Cl.** **20-02**

(52) **U.S. Cl.**
USPC **D20/39**

(58) **Field of Classification Search**
USPC D14/127, 373; D20/10, 18, 19, 21, 39, D20/41, 42, 99
CPC ... G09F 7/00; G09F 7/02; G09F 13/04; G09F 19/02
See application file for complete search history.

DESCRIPTION

- 1. Digital sign
- 1.1 : Perspective
- 1.2 : Front
- 1.3 : Back
- 1.4 : Left
- 1.5 : Right
- 1.6 : Top
- 1.7 : Bottom

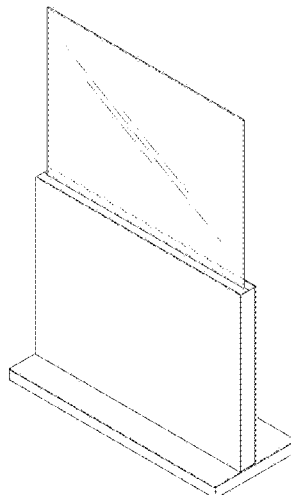
The broken lines indicate portions of the article that form no part of the claimed design.

(56) **References Cited**

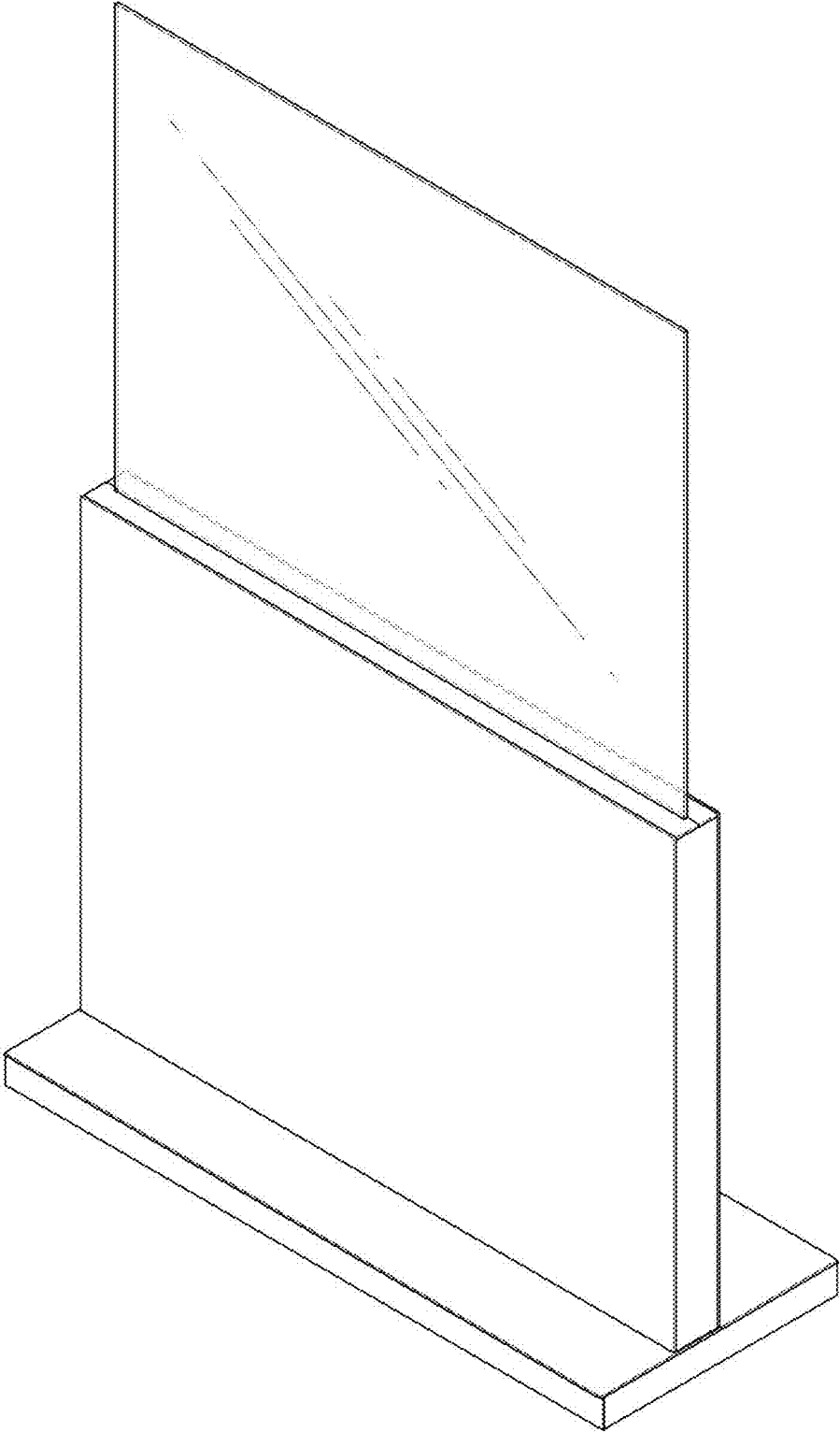
U.S. PATENT DOCUMENTS

4,791,745 A * 12/1988 Pohn G02B 6/0091
40/543
D446,821 S * 8/2001 Decaux D20/39
D501,889 S * 2/2005 Harris D20/39

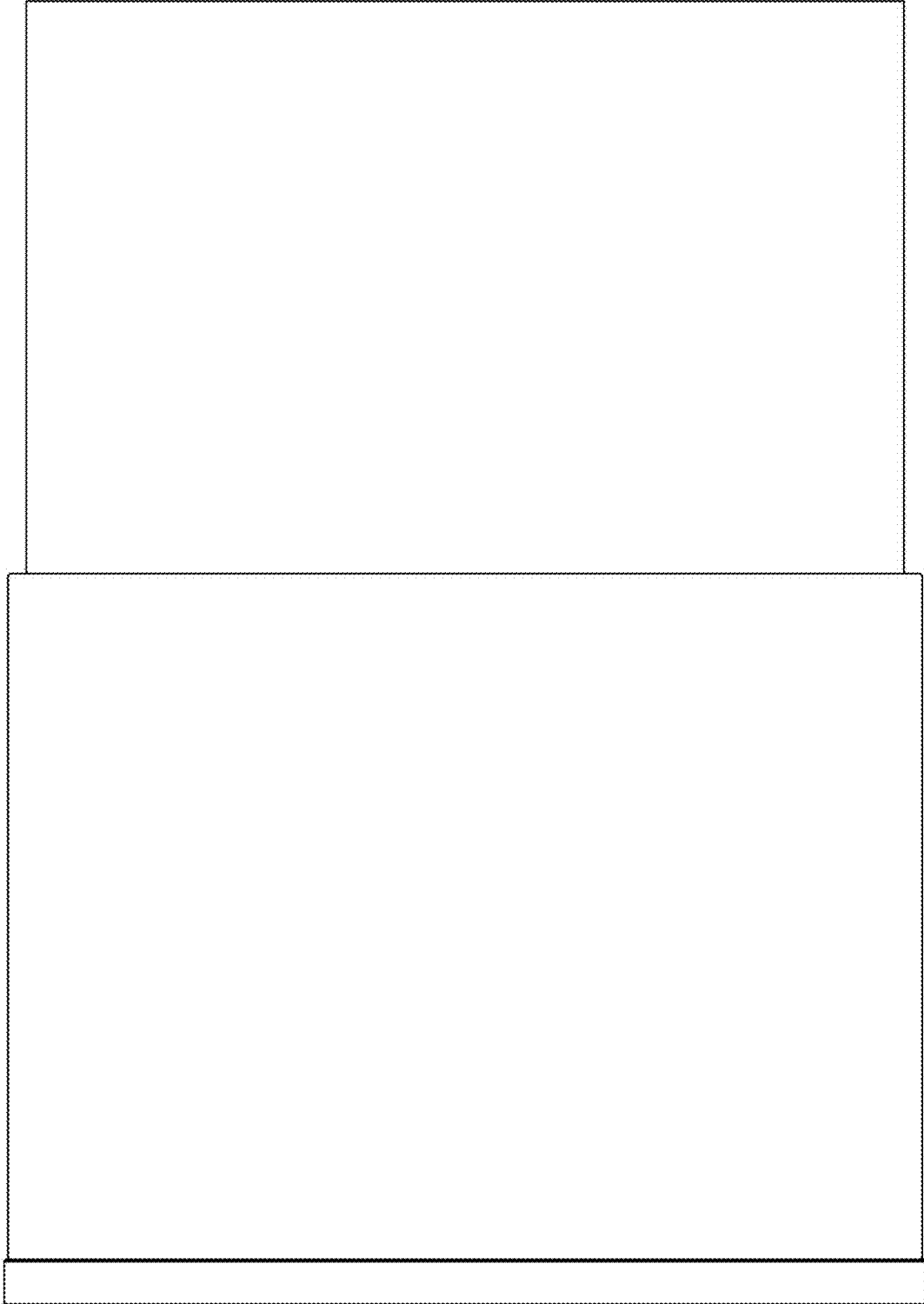
1 Claim, 7 Drawing Sheets



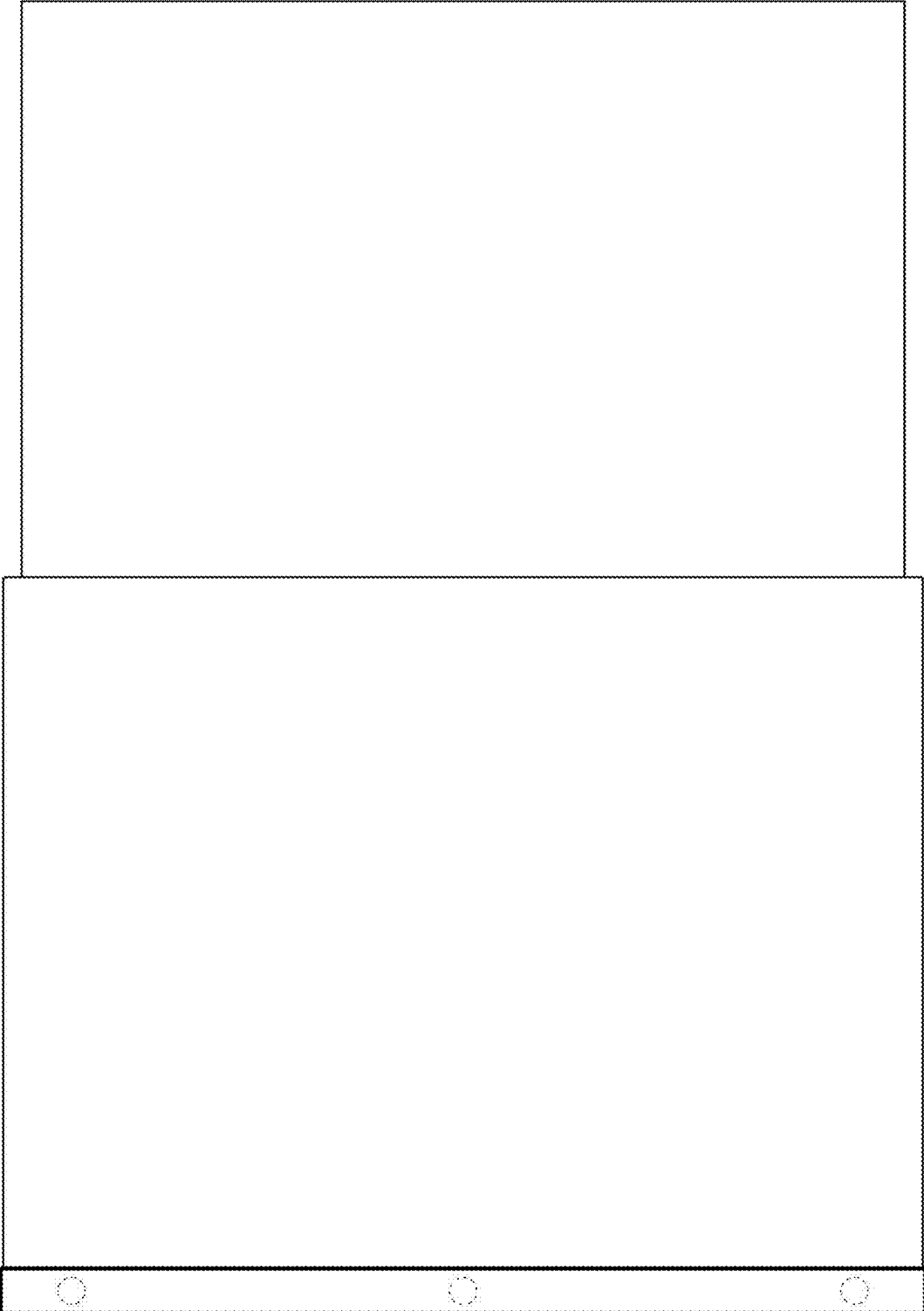
1.1



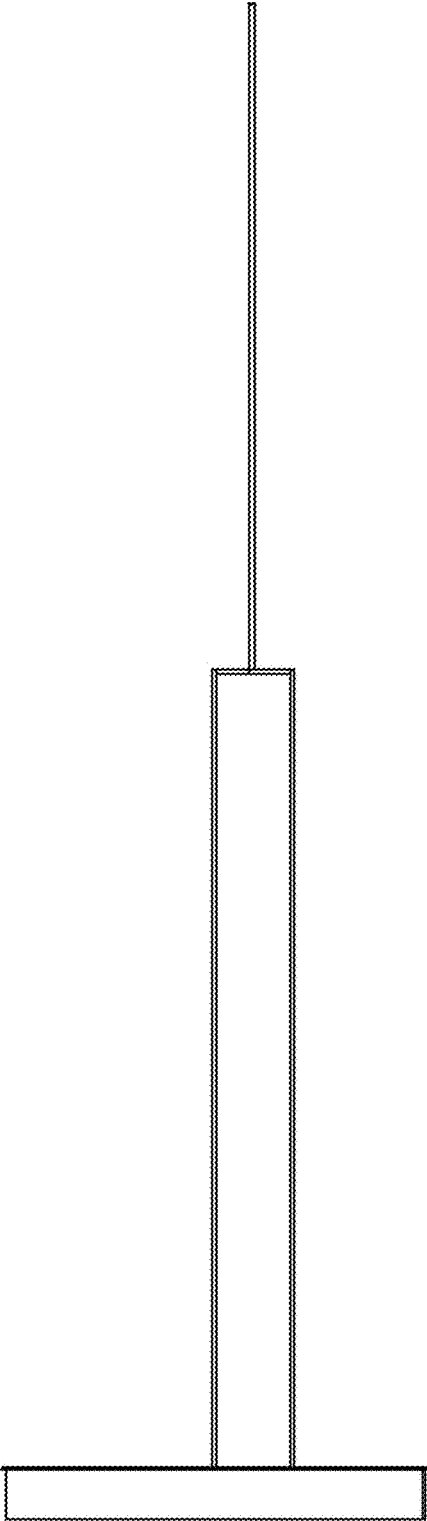
1.2



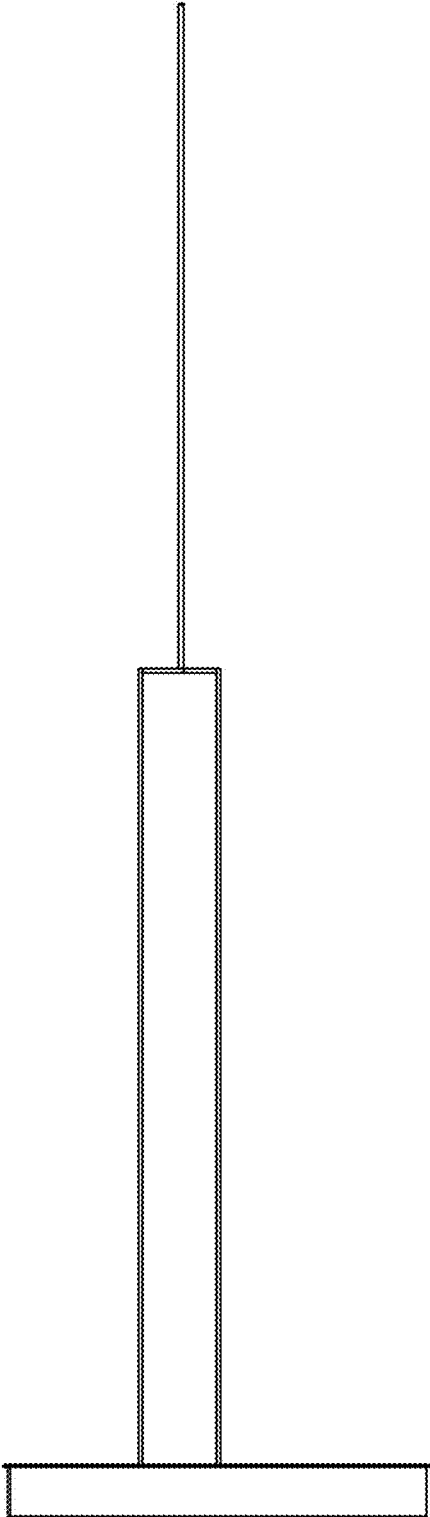
1.3



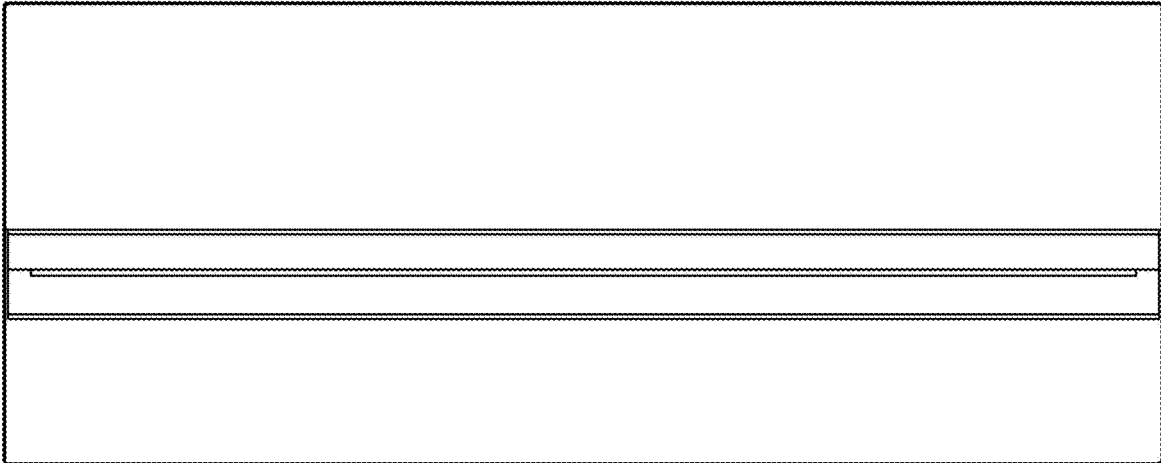
1.4



1.5



1.6



1.7

