



US00D469202S

(12) **United States Design Patent** (10) **Patent No.:** **US D469,202 S**  
**Tsai** (45) **Date of Patent:** **\*\* Jan. 21, 2003**

(54) **TABLE LAMP**

(76) Inventor: **Shu-Huei Tsai**, 17 Floor, No. 177, Sec. 1, Jong-shing Road, Shin-diann City, Taipei Hsien (TW)

(\*\*) Term: **14 Years**

(21) Appl. No.: **29/156,191**

(22) Filed: **Feb. 26, 2002**

(51) **LOC (7) Cl.** ..... **26-05**

(52) **U.S. Cl.** ..... **D26/65**

(58) **Field of Search** ..... D26/61-66, 93-112; 362/410-414, 269-275, 277-289

(56) **References Cited**

**U.S. PATENT DOCUMENTS**

- D331,813 S \* 12/1992 Matsuda ..... D26/65
- D397,469 S \* 8/1998 Yumita et al. .... D26/65
- D412,594 S \* 8/1999 Benghozi ..... D26/62 X

\* cited by examiner

*Primary Examiner*—Alan P. Douglas

*Assistant Examiner*—Linda Brooks

(74) *Attorney, Agent, or Firm*—Rabin & Berdo, P.C.

(57) **CLAIM**

The ornamental design for a table lamp, as shown and described.

**DESCRIPTION**

FIG. 1 is a perspective view of a table lamp showing my new design;

FIG. 2 is a front view thereof;

FIG. 3 is a rear view thereof;

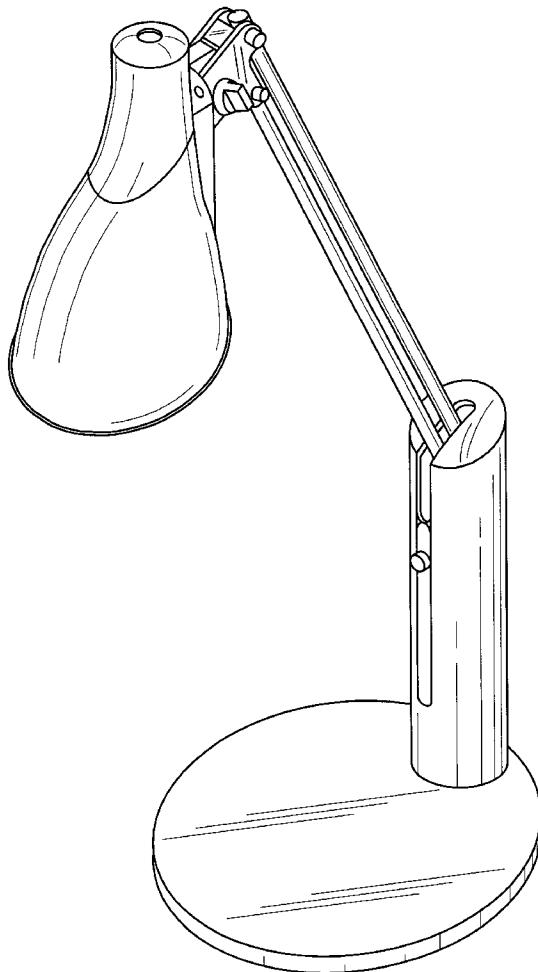
FIG. 4 is a left side view thereof;

FIG. 5 is a right side view thereof;

FIG. 6 is a top view thereof; and,

FIG. 7 is a bottom view thereof.

**1 Claim, 5 Drawing Sheets**



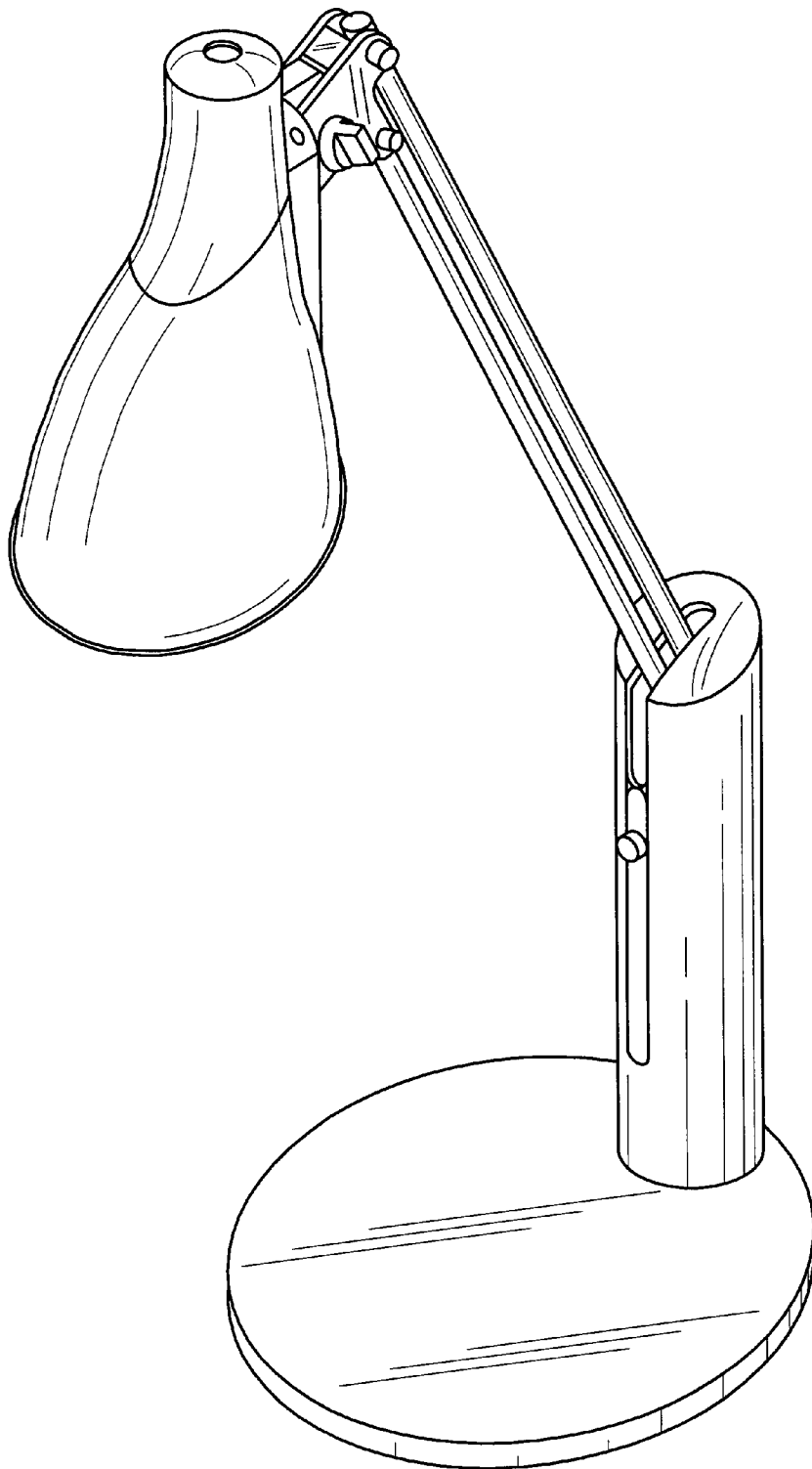


FIG. 1

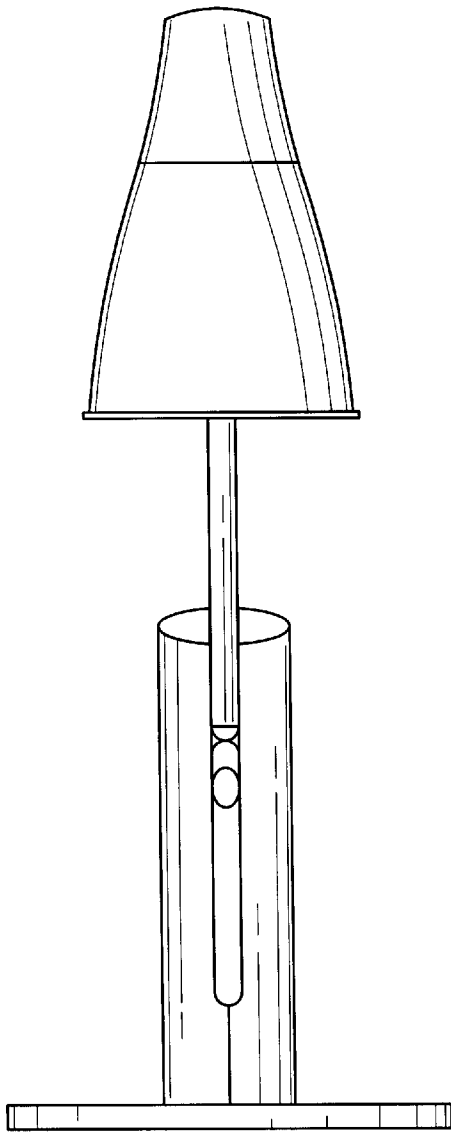


FIG. 2

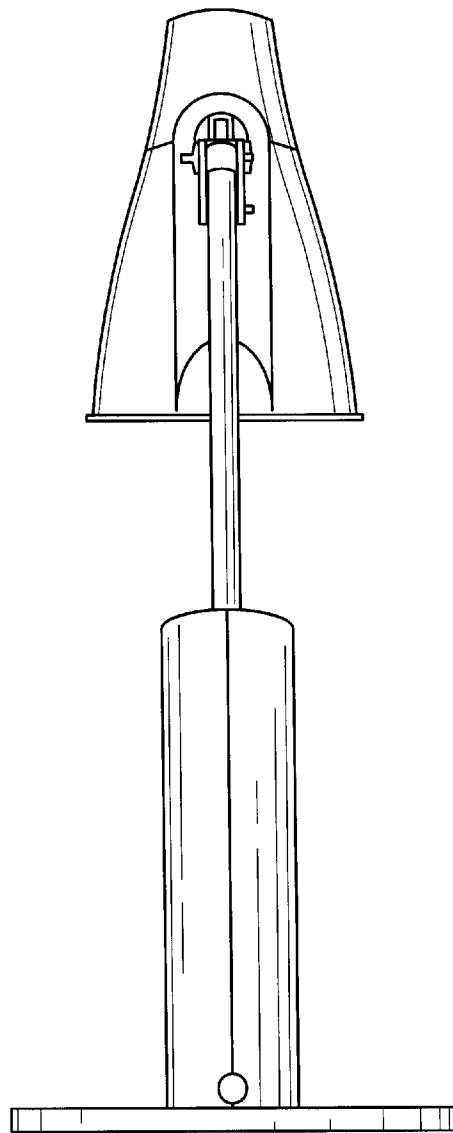


FIG. 3

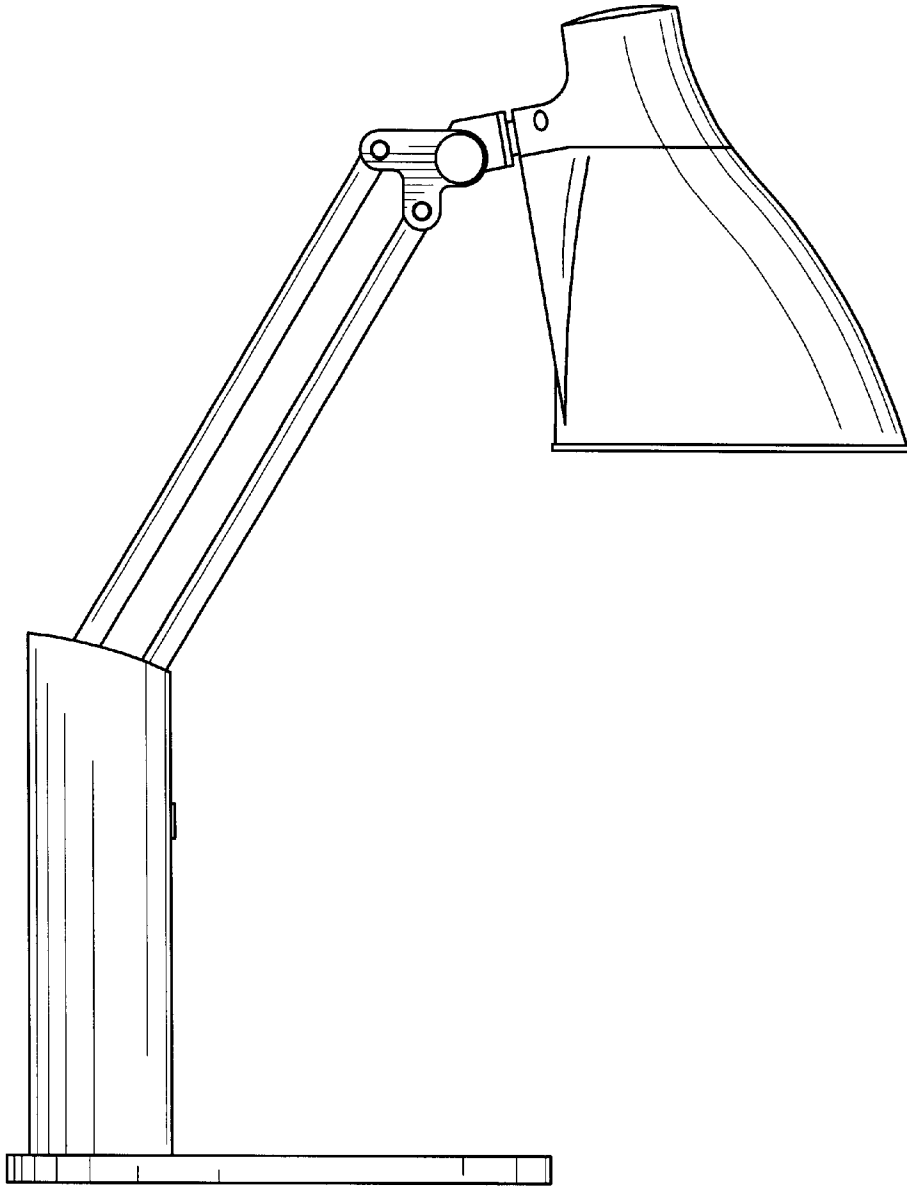


FIG. 4

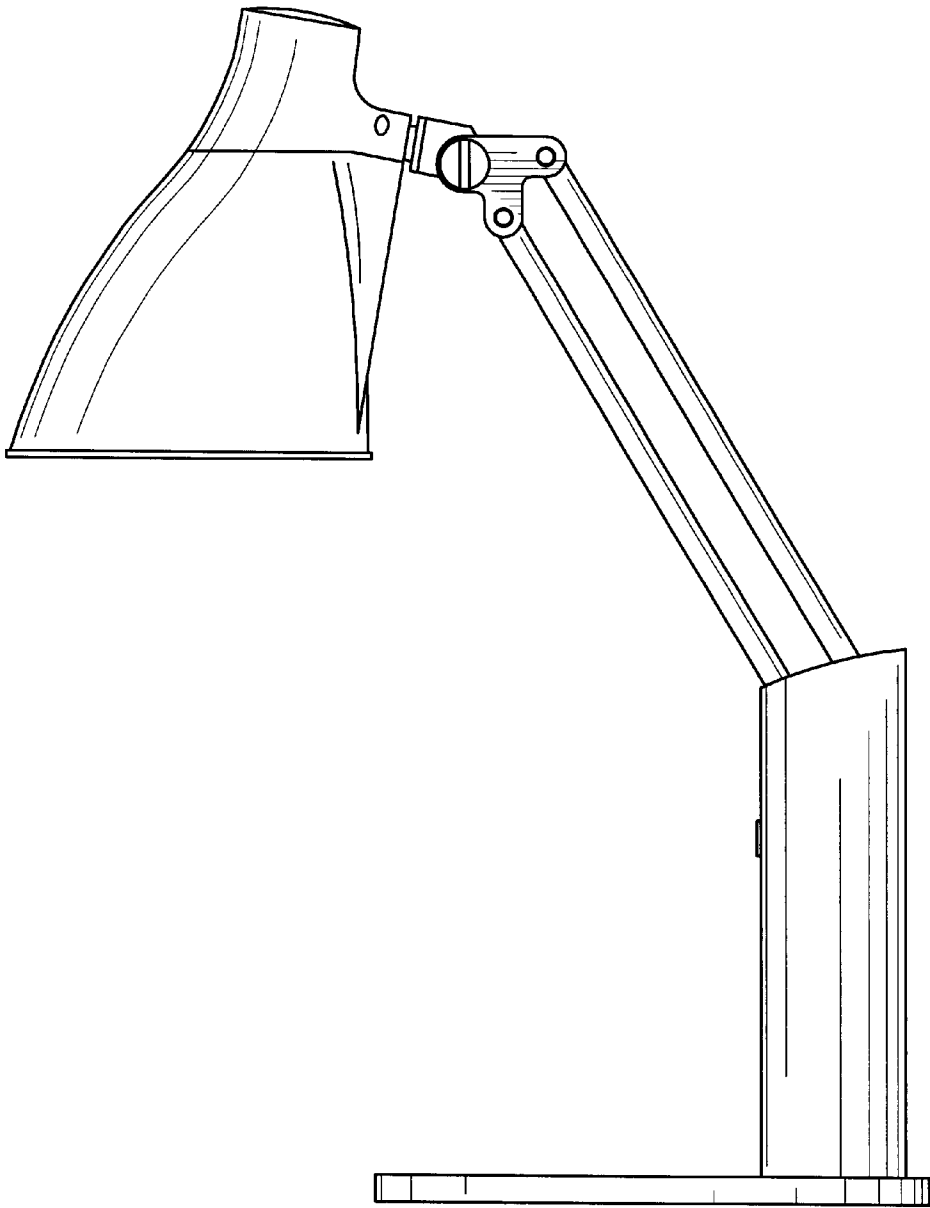


FIG. 5

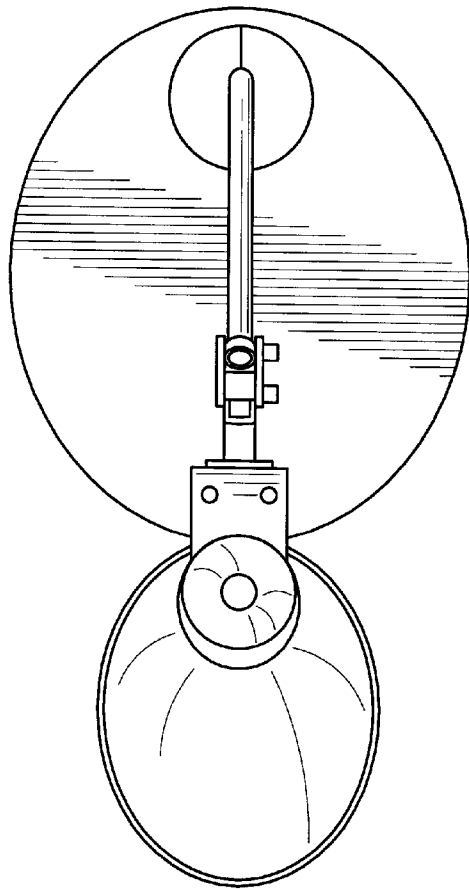


FIG. 6

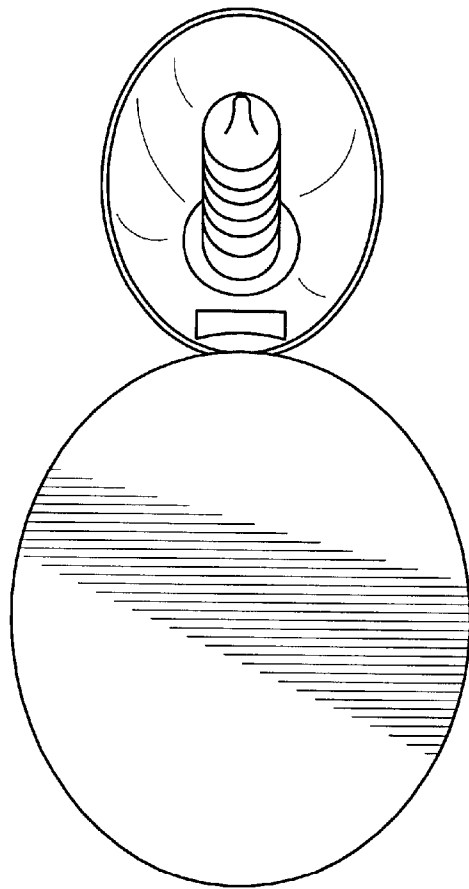


FIG. 7