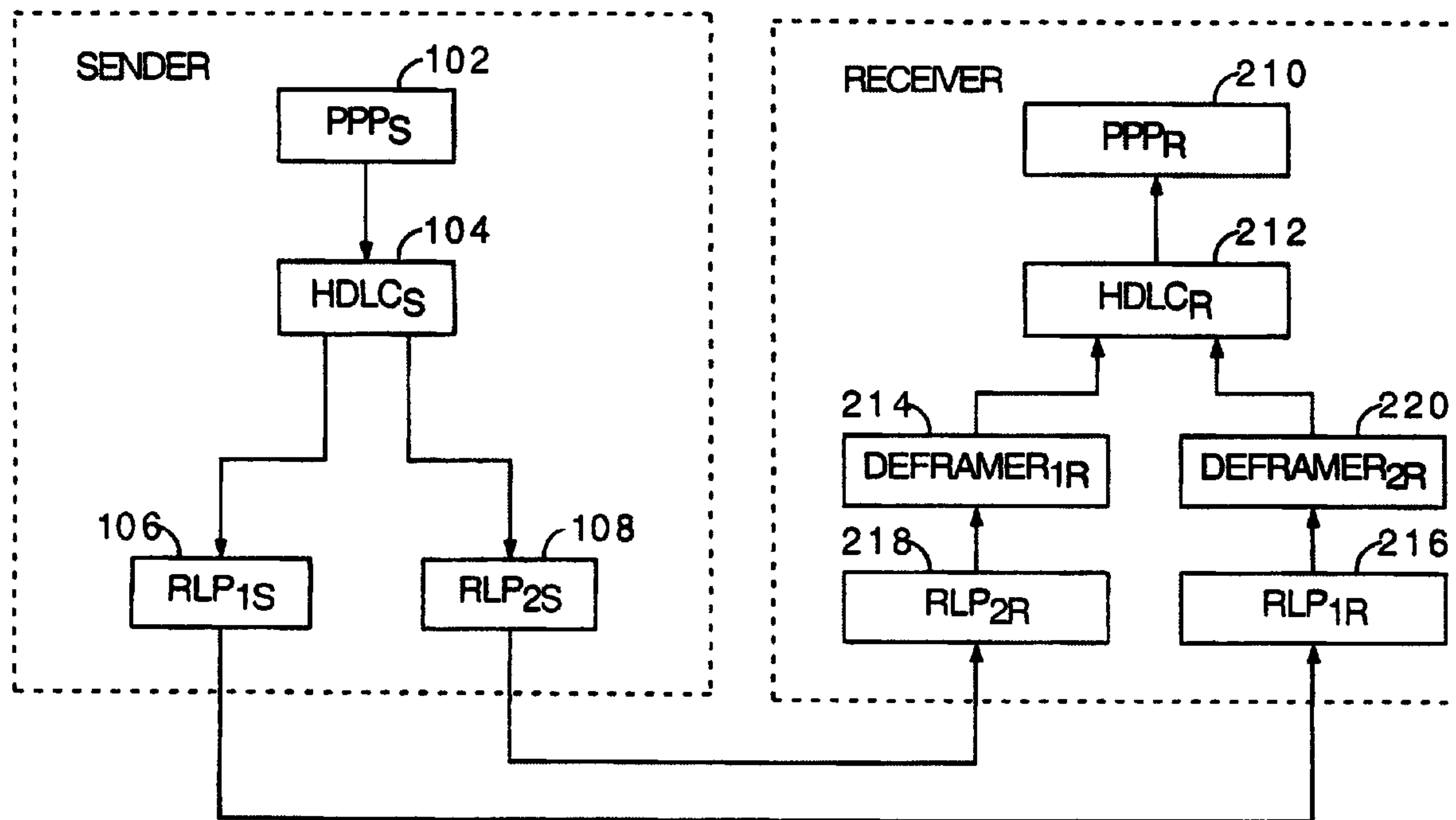




(86) Date de dépôt PCT/PCT Filing Date: 2002/03/11  
 (87) Date publication PCT/PCT Publication Date: 2002/09/19  
 (45) Date de délivrance/Issue Date: 2013/12/31  
 (85) Entrée phase nationale/National Entry: 2003/09/12  
 (86) N° demande PCT/PCT Application No.: US 2002/007313  
 (87) N° publication PCT/PCT Publication No.: 2002/073910  
 (30) Priorités/Priorities: 2001/03/12 (US60/275,242);  
 2001/03/30 (US09/823,475)

(51) Cl.Int./Int.Cl. *H04W 80/02* (2009.01),  
*H04L 12/861* (2013.01), *H04L 12/951* (2013.01)  
 (72) Inventeurs/Inventors:  
 ABROL, NISCHAL, US;  
 LIOY, MARCELLO, US;  
 HSU, RAYMOND TAH-SHENG, US  
 (73) Propriétaire/Owner:  
 QUALCOMM INCORPORATED, US  
 (74) Agent: SMART & BIGGAR

(54) Titre : PROCÉDE ET APPAREIL DESTINES A ASSURER DES NIVEAUX MULTIPLES DE LA QUALITE DE SERVICE DANS UNE CONNEXION DE SERVICES DE DONNEES PAR PAQUETS SANS FIL  
 (54) Title: METHOD AND APPARATUS FOR PROVIDING MULTIPLE QUALITY OF SERVICE LEVELS IN A WIRELESS PACKET DATA SERVICES CONNECTION



(57) **Abrégé/Abstract:**

The packets generated by each of multiple packet data applications are provided to a single Point-to-Point Protocol (PPP) stack (202) and a single High-level Data Link Control (HDLC) framing layer (204) to convert data packets into byte streams suitable for transmission through Radio Link Protocol (RLP) connections. Each of the resultant multiple byte streams is then provided to one of multiple RLP connections having different retransmission and delay properties (206 and 208). The RLP connection selected for sending data from each application is based on the grade of service most appropriate for the application. At the receiver, the data from the multiple RLP connections (218 and 216) is provided to a single PPP stack (210).



## (12) INTERNATIONAL APPLICATION PUBLISHED UNDER THE PATENT COOPERATION TREATY (PCT)

(19) World Intellectual Property Organization  
International Bureau(43) International Publication Date  
19 September 2002 (19.09.2002)

PCT

(10) International Publication Number  
WO 02/073910 A1(51) International Patent Classification<sup>7</sup>: H04L 12/56,  
29/06, 12/28

(21) International Application Number: PCT/US02/07313

(22) International Filing Date: 11 March 2002 (11.03.2002)

(25) Filing Language: English

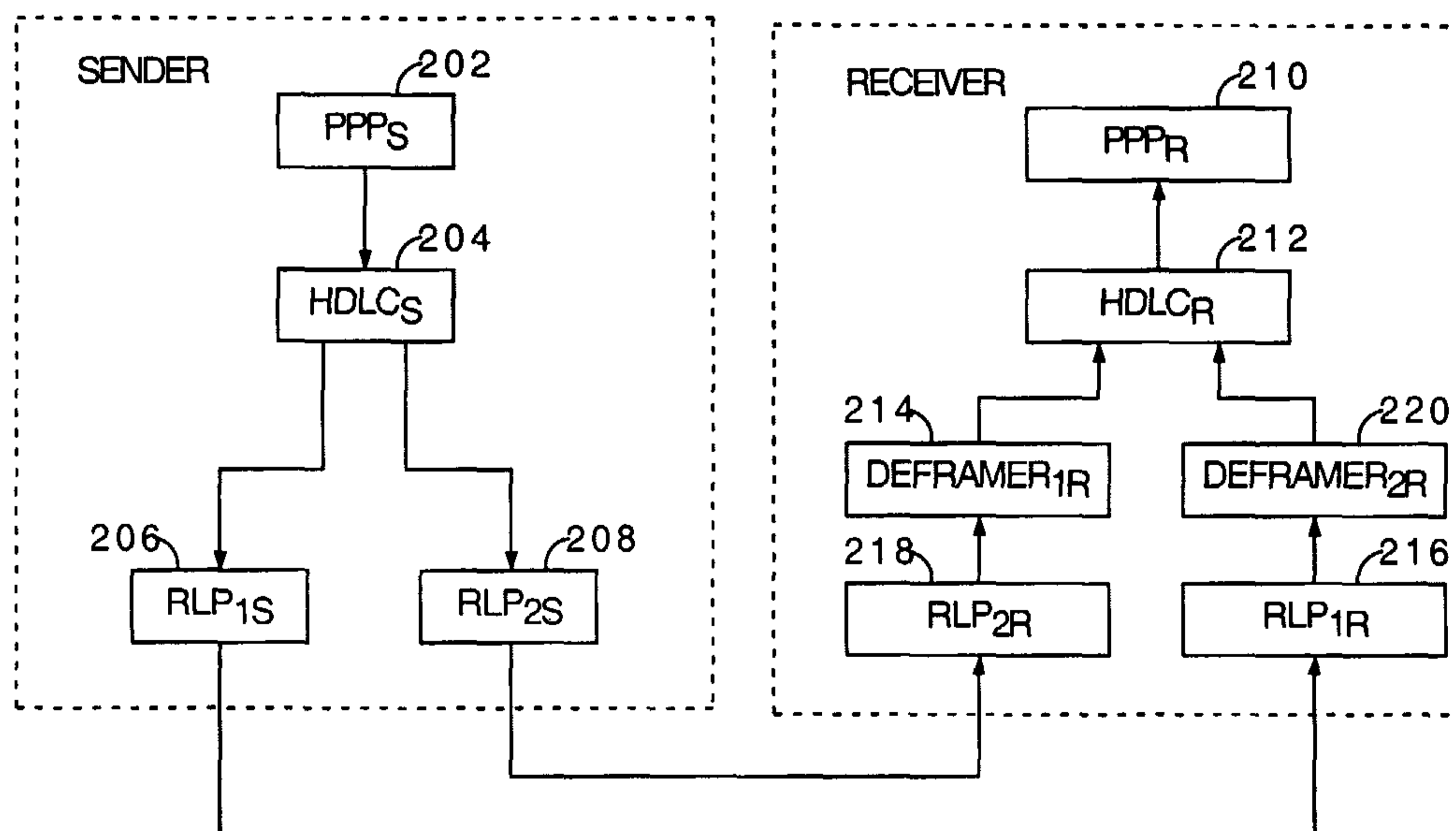
(26) Publication Language: English

(30) Priority Data:  
60/275,242 12 March 2001 (12.03.2001) US  
09/823,475 30 March 2001 (30.03.2001) US(71) Applicant: QUALCOMM INCORPORATED [US/US];  
5775 Morehouse Drive, San Diego, CA 92121-1714 (US).(72) Inventors: ABROL, Nischal; 7260 Calle Cristobal #41,  
San Diego, CA 92126 (US). LIOY, Marcello; 7588 Char-  
mant Drive #1924, San Diego, CA 92122 (US).(74) Agents: WADSWORTH, Philip, R. et al.; Qualcomm In-  
corporated, 5775 Morehouse Drive, San Diego, CA 92121-  
1714 (US).(81) Designated States (*national*): AE, AG, AL, AM, AT, AU,  
AZ, BA, BB, BG, BR, BY, BZ, CA, CH, CN, CO, CR, CU,  
CZ, DE, DK, DM, DZ, EC, EE, ES, FI, GB, GD, GE, GH,  
GM, HR, HU, ID, IL, IN, IS, JP, KE, KG, KP, KR, KZ, LC,  
LK, LR, LS, LT, LU, LV, MA, MD, MG, MK, MN, MW,  
MX, MZ, NO, NZ, OM, PH, PL, PT, RO, RU, SD, SE, SG,  
SI, SK, SL, TJ, TM, TN, TR, TT, TZ, UA, UG, UZ, VN,  
YU, ZA, ZM, ZW.(84) Designated States (*regional*): ARIPO patent (GH, GM,  
KE, LS, MW, MZ, SD, SL, SZ, TZ, UG, ZM, ZW),  
Eurasian patent (AM, AZ, BY, KG, KZ, MD, RU, TJ, TM),  
European patent (AT, BE, CH, CY, DE, DK, ES, FI, FR,  
GB, GR, IE, IT, LU, MC, NL, PT, SE, TR), OAPI patent  
(BF, BJ, CF, CG, CI, CM, GA, GN, GQ, GW, ML, MR,  
NE, SN, TD, TG).**Published:**

- with international search report
- before the expiration of the time limit for amending the claims and to be republished in the event of receipt of amendments

[Continued on next page]

(54) Title: METHOD AND APPARATUS FOR PROVIDING MULTIPLE QUALITY OF SERVICE LEVELS IN A WIRELESS PACKET DATA SERVICES CONNECTION



(57) Abstract: The packets generated by each of multiple packet data applications are provided to a single Point-to-Point Protocol (PPP) stack (202) and a single High-level Data Link Control (HDLC) framing layer (204) to convert data packets into byte streams suitable for transmission through Radio Link Protocol (RLP) connections. Each of the resultant multiple byte streams is then provided to one of multiple RLP connections having different retransmission and delay properties (206 and 208). The RLP connection selected for sending data from each application is based on the grade of service most appropriate for the application. At the receiver, the data from the multiple RLP connections (218 and 216) is provided to a single PPP stack (210).



WO 02/073910 A1

**WO 02/073910 A1**

---



*For two-letter codes and other abbreviations, refer to the "Guidance Notes on Codes and Abbreviations" appearing at the beginning of each regular issue of the PCT Gazette.*

# **METHOD AND APPARATUS FOR PROVIDING MULTIPLE QUALITY OF SERVICE LEVELS IN A WIRELESS PACKET DATA SERVICES CONNECTION**

## **BACKGROUND**

### Field

**[1001]** The present invention relates to wireless communications. More particularly, the present invention relates to a novel method and apparatus for providing multiple levels of quality of service in a wireless packet data network between a mobile station and a wireless network.

### Background

**[1002]** The use of code division multiple access (CDMA) modulation techniques is one of several techniques for facilitating communications in which a large number of system users are present. Other multiple access communication system techniques, such as time division multiple access (TDMA), frequency division multiple access (FDMA) and AM modulation schemes such as amplitude companded single sideband (ACSSB) are known in the art. These techniques have been standardized to facilitate interoperability between equipment manufactured by different companies. Code division multiple access communication systems have been standardized in the United States in Telecommunications Industry Association TIA/EIA/IS-95-B, entitled "MOBILE STATION-BASE STATION COMPATIBILITY STANDARD FOR DUAL-MODE WIDEBAND SPREAD SPECTRUM CELLULAR SYSTEMS", and referred to herein as IS-95. In addition, a new standard for CDMA communication systems has been proposed in the United States in Telecommunications Industry Association (TIA), entitled "Upper Layer (Layer 3) Signaling Standard for cdma2000 Spread Spectrum

Systems, Release A — Addendum 1”, dated October 27, 2000, and referred to herein as “cdma2000.”

**[1003]** The International Telecommunications Union recently requested the submission of proposed methods for providing high rate data and high-quality speech services over wireless communication channels. A first of these proposals was issued by the Telecommunications Industry Association, entitled “The IS-2000 ITU-R RTT Candidate Submission.” A second of these proposals was issued by the European Telecommunications Standards Institute (ETSI), entitled “The ETSI UMTS Terrestrial Radio Access (UTRA) ITU-R RTT Candidate Submission”, also known as “wideband CDMA” and hereinafter referred to as “W-CDMA.” A third proposal was submitted by U.S. TG 8/1 entitled “The UWC-136 Candidate Submission”, hereinafter referred to as “EDGE.” The contents of these submissions is public record and is well known in the art.

**[1004]** IS-95 was originally optimized for transmission of variable-rate voice frames. Subsequent standards have built on the standard to support a variety of additional non-voice services including packet data services. One such set of packet data services was standardized in the United States in Telecommunications Industry Association TIA/EIA/IS-707-A, entitled “Data Service Options for Spread Spectrum Systems”, and hereafter referred to as “IS-707.”

**[1005]** IS-707 describes techniques used to provide support for sending Internet Protocol (IP) packets through an IS-95 wireless network. Packets are encapsulated into a featureless byte stream using a protocol called Point-to-Point Protocol (PPP). Using PPP, IP packets can be transported over a wireless network in segments of arbitrary size. The wireless network maintains PPP state information for the duration of the PPP session, or as long additional bytes may be sent in the continuous byte stream between the PPP end points.

**[1006]** Such a continuous byte stream is subsequently encapsulated into a series of IS-95 frames using a protocol called Radio Link Protocol (RLP). RLP includes an error control protocol that uses negative acknowledgments (NAKs) by which the receiver prompts the sender to retransmit lost RLP frames. Because the

RLP error control protocol uses retransmissions, RLP data transmission generally exhibits a variable transmission delay from sender to receiver. A modified form of RLP called Synchronous RLP (SRLP), in which no NAKs and no retransmissions are sent by sender or receiver, is well known in the art. The frame error rate in SRLP is greater than that of RLP, but the transmission delay is kept to a minimal constant.

**[1007]** A remote network node such as a personal or laptop computer (PC) connected to a packet-data-capable wireless mobile station (MS) may access the Internet through a wireless network in accordance with the IS-707 standard. Alternatively, the remote network node such as a web browser may be built-in to the MS, making the PC optional. An MS may be any of a number of types of devices including, but not limited to PC card, personal data assistant (PDA), external or internal modem, or wireless phone or terminal. The MS sends data through the wireless network, where it is processed by a packet data serving node (PDSN). The PPP state for a connection between an MS and the wireless network is typically maintained within the PDSN. The PDSN is connected to an IP network such as the Internet, and transports data between the wireless network and other entities and agents connected to the IP network. In this way, the MS can send and receive data to another entity on the IP network through the wireless data connection. The target entity on the IP network is also called a correspondent node. The interaction between a MS and the PDSN have been standardized in EIA/TIA/IS-835, entitled "Wireless IP Network Standard," dated June, 2000, and referred to herein as "IS-835." One skilled in the art will recognize that, in some networks, the PDSN is replaced with an Interworking Function (IWF).

**[1008]** In order to provide more complex wireless network services, there is an increasing desire and need to provide different types of services simultaneously through a single wireless device. Examples include simultaneous voice and packet data services. Examples also include multiple types packet data services, such as simultaneous web browsing and video conferencing. At the same time, technological advances are increasing the bandwidth available through a single wireless channel between a wireless device and the wireless network.

**[1009]** However, modern networks are not yet capable of supporting simultaneous packet data services having substantially different grades of service. For example, delay sensitive applications like video conferencing and voice over IP are optimally sent without RLP retransmissions in order to reduce the magnitude and variability of packet delay through the network. On the other hand, applications such as FTP, e-mail, and web browsing are less delay-sensitive, so are optimally sent using RLP retransmissions. Current wireless standards adequately support a wireless application that requires any one of several grades of service, but not multiple applications in a single MS, where the applications require different grades of service. There is therefore a need in the art for a way of supporting multiple applications in a single MS, where the multiple applications use different grades of service.

## **SUMMARY**

**[1010]** Embodiments disclosed herein address the above stated needs by enabling a mobile station (MS) and a Radio Access Network (RAN) to establish a connection that supports multiple grades of services with a single IP address assigned to the MS. The embodiments described herein enable a data sender to use a single IP address for multiple packet data applications. The packets generated by each of the multiple packet data applications are provided to a single Point-to-Point Protocol (PPP) stack and a single High-level Data Link Control (HDLC) framing layer to convert data packets into byte streams suitable for transmission through Radio Link Protocol (RLP) connections. Each of the resultant multiple byte streams is then provided to one of multiple RLP connections having different retransmission and delay properties. The RLP connection selected for sending data from each application is based on the grade of service most appropriate for the application.

**[1011]** The receiver receives the data on the multiple RLP connections and reassembles the byte streams into frames. The receiver may utilize multiple HDLC

74769-734

5

framing layers, with one HDLC framing layer corresponding to one RLP connection. Alternatively, the receiver may utilize a single HDLC framing layer and multiple simple "deframer" layers. Each deframer layer corresponds to a single RLP connection, and searches for flag characters that delimit HDLC frames in each RLP byte stream. The deframer layer does not remove HDLC escape codes, but rather provides HDLC stream data to the single HDLC layer as a complete, contiguous HDLC frame.

10           According to one aspect of the present invention, there is provided a method for providing packet data services, the method comprising: utilizing by one of a mobile station and a wireless network a single Point-to-Point Protocol (PPP) layer for communication by multiple data applications between the mobile station and the wireless network; sending and receiving data through said single PPP layer using a first Radio Link Protocol (RLP) layer implementing a first RLP connection having a reliable grade of service for a first type of data application; and sending and receiving data through said single PPP layer using a second RLP layer implementing a second RLP connection independent of the first RLP connection having a low latency grade of service for a second type of data application, wherein the first RLP layer is configured for data retransmissions, and the second RLP layer is not configured for data retransmissions and the first and second RLP layers using different concurrent grades of service.

          According to another aspect of the present invention, there is provided a computer-readable medium having a computer readable program code thereon, the computer readable program code when executed by a processor performs a method for providing packet data services, the method comprising: establishing a single Point-to-Point



74769-734

5a

Protocol (PPP) layer for communication by multiple data applications between a mobile station and a wireless network; sending and receiving data through said single PPP layer using a first Radio Link Protocol (RLP) layer

5 implementing a first RLP connection having a reliable grade of service for a first type of data application; and sending and receiving data through said single PPP layer using a second RLP layer implementing a second RLP connection independent of the first RLP connection having a low latency

10 grade of service for a second type of data application, wherein the first RLP layer is configured for data retransmissions, and the second RLP layer is not configured for data retransmissions and the first and second RLP layers using different concurrent grades of service.

15 According to still another aspect of the present invention, there is provided a mobile station comprising a control processor and a memory, wherein the control processor is configured to execute instructions in the memory for: establishing a single Point-to-Point Protocol

20 (PPP) layer for multiple data applications to exchange data between the mobile station and a wireless network; sending and receiving data through said single PPP layer using at least first and second Radio Link Protocol (RLP) layers respectively implementing a first RLP connection having a

25 reliable grade of service for a first type of data application and implementing a second RLP connection independent of the first RLP connection having a low latency grade of service for a second type of data application, wherein the first RLP layer is configured for data

30 retransmissions, and the second RLP layer is not configured for data retransmissions and the first and second RLP layers using different concurrent grades of service.

74769-734

5b

According to yet another aspect of the present invention, there is provided a wireless network comprising: a packet control function (PCF) apparatus comprising a control processor and a memory, wherein the control processor is configured to execute instructions stored in the memory for: establishing a single Point-to-Point Protocol (PPP) layer for communication by multiple data applications between a mobile station and the wireless network; establishing a first Radio Link Protocol (RLP) layer having a reliable grade of service; establishing a second RLP layer having a low latency grade of service different from the reliable grade of service; receiving data from a mobile station through the first RLP layer implementing a first RLP connection and sending the data to the single PPP layer; and receiving data from the mobile station through the second RLP layer implementing a second RLP connection independent of the first RLP connection and sending the data to the single PPP layer, wherein the first RLP layer is configured for data retransmissions, and the second RLP layer is not configured for data retransmissions and the first and second RLP layers using different concurrent grades of service.

According to a further aspect of the present invention, there is provided an apparatus for providing packet data services, comprising: means for establishing a single Point-to-Point Protocol (PPP) layer for communication by multiple data applications between a mobile station and a wireless network; means for sending and receiving data through said single PPP layer using a first Radio Link Protocol (RLP) layer implementing a first RLP connection having a reliable grade of service for a first type of data application; and means for sending and receiving data through said single PPP layer using a second RLP layer

74769-734

5c

implementing a second RLP connection independent of the first RLP connection having a low latency grade of service for a second type of data application, wherein the first RLP layer is configured for data retransmissions, and the second  
5 RLP layer is not configured for data retransmissions and the first and second RLP layers using different concurrent grades of service.

According to yet a further aspect of the present invention, there is provided a computer readable media  
10 embodying instructions executable by a processor to perform a method for providing packet data services, the method comprising: establishing a single Point-to-Point Protocol (PPP) layer for communication between a mobile station and a wireless network; sending and receiving data through said  
15 single PPP layer using a first Radio Link Protocol (RLP) layer characterized by a first grade of service; sending and receiving data through said single PPP layer using a second RLP layer characterized by a second grade of service, wherein the first grade of service is different from the  
20 second grade of service; establishing a single High-level Data Link Control (HDLC) layer between said PPP layer and said first and second RLP layers; and establishing a deframer layer between said HDLC layer and said first RLP layer, said deframer layer configured to provide whole HDLC  
25 frames to said HDLC layer.

According to still a further aspect of the present invention, there is provided a computer readable media embodying instructions executable by a processor to perform a method for providing packet data services, the method  
30 comprising: establishing a single Point-to-Point Protocol (PPP) layer for communication between a mobile station and a wireless network; sending and receiving data through said single PPP layer using a first Radio Link Protocol (RLP)

74769-734

5d

layer characterized by a first grade of service; sending and receiving data through said single PPP layer using a second RLP layer characterized by a second grade of service, wherein the first grade of service is different from the second grade of service; establishing a first High-level Data Link Control (HDLC) layer between said PPP layer and said first layer; and establishing a second High-level Data Link Control (HDLC) layer between said PPP layer and said second RLP layer.

10           According to another aspect of the present invention, there is provided a mobile station apparatus, comprising a processor and a memory, wherein the memory embodies instructions executable by the processor to perform a method for providing packet data services, the method  
15 comprising: establishing a single Point-to-Point Protocol (PPP) layer for the mobile station; sending and receiving data through said single PPP layer using at least two Radio Link Protocol (RLP) layers characterized by at least two different grades of service; establishing a single High-  
20 level Data Link Control (HDLC) layer between said PPP layer and said at least two layers; and establishing a deframer layer between said HDLC layer and one of said at least two RLP layers, said deframer layer configured to provide whole HDLC frames to said HDLC layer.

25           According to yet another aspect of the present invention, there is provided a packet control function (PCF) apparatus, comprising a processor and a memory, wherein the memory embodies instructions executable by the processor to perform a method comprising: establishing a first Radio  
30 Link Protocol (RLP) layer characterized by a first grade of service; establishing a second RLP layer characterized by a second grade of service different from the first grade of service; receiving data from a mobile station through the

74769-734

5e

first RLP layer; receiving data from the mobile station through the second RLP layer; deframing data received through the first RLP layer to identify a first High-level Data Link Control (HDLC) frame; deframing data received  
5 through the second RLP layer to identify a second HDLC frame; providing the first HDLC frame to a Packet Data Serving Node (PDSN); and providing the second HDLC frame to the PDSN.

According to yet another aspect of the present  
10 invention, there is provided a packet control function (PCF) apparatus, comprising a processor and a memory, wherein the memory embodies instructions executable by the processor to perform a method comprising: establishing a first Radio Link Protocol (RLP) layer characterized by a first grade of  
15 service; establishing a second RLP layer characterized by a second grade of service different from the first grade of service; receiving data through the first RLP layer; receiving data through the second RLP layer; providing data received through the first RLP layer to a first High-level  
20 Data Link Control (HDLC) layer in a Packet Data Serving Node (PDSN); and providing data received through the second RLP layer to a second HDLC layer in the PDSN.

According to yet another aspect of the present  
invention, there is provided a wireless network apparatus  
25 comprising: a Packet Control Function (PCF) apparatus comprising a control processor and a memory, wherein the control processor is configured to execute instructions in the memory for establishing a first Radio Link Protocol (RLP) layer characterized by a first grade of service,  
30 establishing a second RLP layer characterized by a second grade of service different from the first grade of service, receiving data through the first RLP layer, receiving data through the second RLP layer, providing data received

74769-734

5f

through the first RLP layer to a first High-level Data Link Control (HDLC) layer in a Packet Data Serving Node (PDSN), and providing data received through the second layer to a second HDLC layer in the PDSN.

5

According to yet another aspect of the present invention, there is provided a wireless network apparatus comprising: a Packet Data Serving Node (PDSN) apparatus comprising a control processor and a memory, wherein the control processor is configured to execute instructions in the memory for extracting IP packets from data received through a single High-level Data Link Control (HDLC) layer associated with a single Point-to-Point Protocol (PPP) connection to a mobile station; and a Packet Control Function (PCF) apparatus comprising a control processor and a memory, wherein the control processor is configured to execute instructions in the memory for establishing a first Radio Link Protocol (RLP) layer characterized by a first grade of service, establishing a second RLP layer characterized by a second grade of service different from the first grade of service, deframing data received through the first RLP layer to identify a first HDLC frame, deframing data received through the second RLP layer to identify a second HDLC frame, providing the first HDLC frame to the single HDLC layer, and after providing the first HDLC frame to the single HDLC layer, providing the second HDLC frame to the single HDLC layer.

According to yet another aspect of the present invention, there is provided a method for providing packet data services, comprising: establishing a single Point-to-Point Protocol (PPP) layer for communication between a mobile station and a wireless network; sending and receiving data through said single PPP layer using at least two Radio

74769-734

5g

Link Protocol (RLP) layers characterized by at least two different grades of service; establishing a single High-level Data Link Control (HDLC) layer between said PPP layer and said at least two RLP layers; and establishing a  
5 deframer layer between said HDLC layer and said first RLP layer, said deframer layer configured to provide whole HDLC frames to said HDLC layer.

According to yet another aspect of the present invention, there is provided a method for providing packet  
10 data services, comprising: establishing a single Point-to-Point Protocol (PPP) layer for communication between a mobile station and a wireless network; sending and receiving data through said single PPP layer using a first Radio Link Protocol (RLP) layer characterized by a first grade of  
15 service; sending and receiving data through said single PPP layer using a second RLP layer characterized by a second grade of service, wherein the first grade of service is different from the second grade of service; establishing a first High-level Data Link Control (HDLC) layer between said  
20 PPP layer and said first RLP layer; and establishing a second High-level Data Link Control (HDLC) layer between said PPP layer and said second RLP layer.

According to yet another aspect of the present invention, there is provided a mobile station apparatus,  
25 comprising a processor and a memory, wherein the memory embodies instructions executable by the processor to perform a method for providing packet data services, the method comprising: establishing a single Point-to-Point Protocol (PPP) layer for communication between the mobile station and  
30 a wireless network; using the single PPP layer to encapsulate an IP packet associated with a delay-sensitive application to generate a first PPP packet; using the single PPP layer to encapsulate an IP packet associated with a non-

74769-734

5h

delay-sensitive application to generate a second PPP packet;  
sending the first PPP packet through a low latency Radio  
Link Protocol (RLP) layer to the wireless network; sending  
the second PPP packet through a reliable RLP layer to the  
5 wireless network; establishing a single High-level Data Link  
Control (HDLC) layer between the single PPP layer and the  
low latency and reliable RLP layers; and establishing a  
deframer layer between said HDLC layer and one of the low  
latency and reliable RLP layers, the deframer layer  
10 configured to provide whole HDLC frames to said HDLC layer.

According to yet another aspect of the present  
invention, there is provided a packet control function (PCF)  
apparatus, comprising a processor and a memory, wherein the  
memory embodies instructions executable by the processor to  
15 perform a method for providing packet data services, the  
method comprising: receiving a first set of data through a  
low latency Radio Link Protocol (RLP) layer; receiving a  
second set of data station through a reliable RLP layer;  
deframing the data received through the low latency RLP  
20 layer to identify a first High-level Data Link Control  
(HDLC) frame; deframing the data received through the  
reliable RLP layer to identify a second HDLC frame;  
providing the first HDLC frame to a Packet Data Serving Node  
(PDSN); and providing the second HDLC frame to the PDSN.

25 According to yet another aspect of the present  
invention, there is provided an apparatus comprising: a  
Packet Control Function (PCF) apparatus comprising a control  
processor and a memory, wherein the control processor is  
configured to execute instructions in the memory  
30 for establishing a first Radio Link Protocol (RLP) layer  
characterized by a first grade of service, to establish a  
second RLP layer characterized by a second grade of service  
different from the first grade of service, to deframe data



74769-734

5i

received through the first RLP layer to identify a first HDLC frame, to deframe data received through the second RLP layer to identify a second HDLC frame, to provide the first HDLC frame to a single High-level Data Link Control (HDLC) layer associated with a single Point-to-Point Protocol (PPP) connection to a mobile station, and after providing the first HDLC frame to the single HDLC layer, to provide the second HDLC frame to the single HDLC layer.

[1012] The word "exemplary" is used throughout this application to mean "serving as an example, instance, or illustration". Any embodiment described as an "exemplary embodiment" is not to be construed as necessarily preferred or advantageous over other embodiments described herein.

#### BRIEF DESCRIPTION OF THE DRAWINGS

15 [1013] FIG. 1 shows an arrangement of protocol layers according to an exemplary embodiment;

[1014] FIG. 2 shows an arrangement of protocol layers according to an alternative embodiment;

[1015] FIG. 3 is a diagram of an exemplary mobile station (MS) apparatus; and

[1016] FIG. 4 is a diagram of an exemplary wireless network apparatus;

[1017] FIG. 5 is a flowchart of an exemplary method of sending packets through multiple RLP connections having different grades of service; and

[1018] FIG. 6 is a flowchart of an exemplary method of receiving packets through multiple RLP connections having different grades of service.

74769-734

5j

**DETAILED DESCRIPTION**

**[1020]** Multiple applications using different grades of service could be supported on a single wireless device using a separate Point-to-Point Protocol (PPP) stack

for each application. This approach has several disadvantages. Supporting multiple PPP instances for a single mobile station (MS) would needlessly consume large amounts of data memory in both the MS and the Packet Data Serving Node (PDSN).

**[1021]** In addition, if a Radio Link Protocol (RLP) session were established for use by an application that required low latency, the RLP should be configured to operate without retransmissions. While this would result in the low latency that is best for overlying application, the Link Control Protocol (LCP) and other configuration protocols that are required to establish the PPP link would have to proceed without error control. The resulting increase in frame error rate could cause delays or even failure of PPP configuration before any application packets could be sent.

**[1022]** The embodiments discussed below overcome these disadvantages by utilizing a single PPP instance for multiple RLP instances between a MS and the wireless network. **FIG. 1** shows an arrangement of protocol layers between a sender and a receiver of packet data using different concurrent grades of service. In an exemplary embodiment, the sender maintains two Radio Link Protocol (RLP) layers (**106** and **108**), one High-level Data Link Control (HDLC) layer **104** and one Point-to-Point Protocol (PPP) layer **102**. Each of the RLP layer instances uses different grades of service (**106** and **108**). For example, if RLP<sub>1s</sub> **106** is configured to retransmit frames in response to NAK frames received from the receiver, RLP<sub>2s</sub> **108** is configured for no retransmissions. In other words, RLP<sub>1s</sub> **106** provides higher reliability through use of an error control protocol, while RLP<sub>2s</sub> **108** provides unreliable transport with fixed, minimal transmission delay. The grade of service that characterizes such an RLP<sub>1s</sub> **106** is referred to herein as “reliable” for short. Similarly, the grade of service that characterizes such an RLP<sub>2s</sub> **108** is referred to herein as “low latency.” Though exemplary embodiments are described herein as using just two grades of service, implementations that use a larger number of different grades of service are also anticipated and are to be considered within the scope of the described embodiments. For example, a sender and receiver could

each additionally utilize a third RLP layer that provides an intermediate grade of service having a degree of reliability that lies between “reliable” and “low latency.”

**[1023]** In an exemplary embodiment, the receiver also maintains two receive RLP instances (**116** and **118**) corresponding to the same grades of service as the RLP instances in the sender (**106** and **108**). For example, if RLP<sub>1S</sub> **106** provides reliable grade of service, then RLP<sub>1R</sub> **116** is configured for reliable grade of service. Thus, when the RLP<sub>1R</sub> **116** layer detects a break in the sequence numbers of the received RLP frames, then RLP<sub>1R</sub> **116** responds by sending a NAK frame to prompt retransmission. Upon receiving an RLP NAK frame, RLP<sub>1S</sub> **106** retransmits the requested frame from its retransmission buffer. On the other hand, if RLP<sub>2S</sub> **108** is configured for low latency grade of service, then RLP<sub>2R</sub> **118** will not send a NAK frame regardless of breaks in frame sequence numbers. Indeed, RLP<sub>2S</sub> **108** and RLP<sub>2R</sub> **118** may omit frame sequence numbers entirely from the transmitted RLP frames to make more room for data payload. In addition, RLP<sub>2S</sub> **108** need not maintain a retransmission buffer of previously sent frames, thus conserving memory in the sender. Also, RLP<sub>2R</sub> **118** need not maintain a resequencing buffer, thus conserving memory in the receiver.

**[1024]** The PPP<sub>S</sub> layer **102** in the sender encapsulates IP packets within PPP frames. In an exemplary embodiment, the PPP<sub>S</sub> layer **102** increases packet throughput by performing IP header compression such as the well-known Van-Jacobsen (VJ) header compression. VJ header compression can result in the loss of certain header information that might otherwise be useful in multiplexing PPP packets between the multiple RLP layers (**106** and **108**). In an exemplary embodiment, the PPP<sub>S</sub> layer **102** provides whole PPP packets to the HDLC<sub>S</sub> layer **104**, and also provides information that can be used to determine which RLP layer to send the framed data through. In an exemplary embodiment, the PPP<sub>S</sub> layer **102** provides a grade of service identifier or an RLP instance identifier with each PPP packet provided to the HDLC<sub>S</sub> layer **104**. The HDLC<sub>S</sub> **104** layer adds flag characters between the PPP packets and adds a cyclical redundancy checksum (CRC) to each PPP packet received from the PPP<sub>S</sub> layer **102**. The HDLC<sub>S</sub> layer **104** further performs HDLC escaping to ensure that no flag or HDLC control

characters appear within the data of a single frame. The HDLC<sub>S</sub> layer **104** typically performs HDLC escaping by replacing each flag or control character with an escape sequence having at least two characters.

**[1025]** The receiver in **FIG. 1** is shown with a separate HDLC layer (**112** and **114**) for each RLP instance (**116** and **118**). The bytes received in the RLP frames by each RLP instance (**116** and **118**) are presented to the corresponding HDLC layer instances (**112** and **114**). Each HDLC layer instance (**112** and **114**) locates escape sequences in its respective input data stream and converts each escape sequence back to the original data within the transmitted frames. The HDLC layer instances (**112** and **114**) also perform checks of the CRC's received in the frames to determine whether the frames were received with communication errors. Frames having incorrect CRCs are silently discarded, and frames having correct CRC's are forwarded to the next protocol layer up (PPP<sub>R</sub>) **110**.

**[1026]** **FIG. 2** shows an alternate arrangement of protocol layers. The arrangement of protocol layers in the sender in **FIG. 2** is identical to that of the sender in **FIG. 1**. In the receiver, however, a single HDLC<sub>R</sub> layer **212** is used instead of one for each RLP instance. Deframer layers (**214** and **220**) are inserted between the RLP layers (**218** and **216**) and the HDLC<sub>R</sub> layer **212**. The purpose of the deframers (**214** and **220**) is to ensure that only whole HDLC frames are delivered to the HDLC<sub>R</sub> layer **212**. Delivering only whole HDLC frames makes it unnecessary for the HDLC<sub>R</sub> layer **212** to differentiate between, or reassemble, data from multiple HDLC frames. The HDLC<sub>R</sub> layer **212** removes escape sequences and checks the CRC for an entire frame. If the CRC is deemed correct, then the HDLC<sub>R</sub> layer **212** forwards the complete PPP frame to the PPP<sub>R</sub> layer **210**. If the CRC is incorrect, the HDLC<sub>R</sub> layer **212** silently discards the erroneous frame data.

**[1027]** One benefit of using deframer layers (**214** and **220**) is that it enables the receiver to support multiple instances of RLP (**218** and **216**) without any changes to the implementation of the HDLC<sub>R</sub> layer **212**. The HDLC<sub>R</sub> layer **212** need not even be aware that the received bytes have been received through two different RLP connections. This implementation independence is especially important in network implementations where the HDLC<sub>R</sub> protocol layer **212** resides in a different

physical device than the RLP protocol layers. For example, the HDLC<sub>R</sub> layer might exist within a standard packet router, and the RLP layers might exist within a Packet Control Function (PCF) within a Radio Access Network (RAN) of a wireless network. The use of the deframer layers makes it possible to support multiple RLP layers and grades of service without changing the software of the standard packet router.

**[1028]** FIG. 3 shows an exemplary mobile station (MS) that supports the multiple grades of service as discussed above. A control processor 302 establishes a wireless connection through a wireless modem 304, transmitter 306, and antenna 308 as shown. In an exemplary embodiment, the wireless modem 304 and transmitter 306 operate in accordance with the cdma2000 specification. Alternatively, the wireless modem 304 and transmitter 306 could operate in accordance with some other wireless standard such as IS-95, W-CDMA, or EDGE.

**[1029]** The control processor 302 is connected to a memory 310 having code or instructions directing the control processor 302 to establish and utilize the protocol layers shown in FIGS. 1-2. The memory 310 may include RAM memory, flash memory, ROM memory, EPROM memory, EEPROM memory, registers, hard disk, a removable disk, a CD-ROM, or any other form of storage medium or computer readable media known in the art.

**[1030]** In an exemplary embodiment, the control processor 302 uses some of the memory 310 as memory buffers (312 and 314) necessary for operation of the multiple RLP layers. For example, if the RLP<sub>1</sub> buffer 312 corresponds to a reliable RLP connection, it will include a retransmission buffer for RLP data being sent and a resequencing buffer for RLP data being received. If the RLP<sub>2</sub> buffer 314 corresponds to a low latency RLP connection, then the RLP<sub>2</sub> buffer 314 need not have either a retransmission buffer or a resequencing buffer. Because these two buffers are not needed, the RLP<sub>2</sub> buffer 314 occupies a smaller amount of memory than the RLP<sub>1</sub> buffer 312. Though depicted as disjoint, the buffers (312 and 314) may also overlap if some data structures are shared between the multiple RLP implementations.

[1031] FIG. 4 shows an exemplary wireless communication network having a connection with a packet network such as the Internet 416. The wireless communication network includes a RAN 412 and a PDSN 414. The RAN 412 further includes a selector 402 that is connected to one or more wireless base stations (not shown). The selector 402 in the RAN 412 is generally a subsystem of a base station controller (BSC), which is not shown. All wireless data sent to or received from the MS is routed through the selector. In addition to the selector 402, the RAN 412 also includes a Packet Control Function (PCF) 404. For packet data service options, the selector sends packet data received from the MS through the PCF 404, which further includes a control processor 406 and memory 418.

[1032] The memory 418 contains code or instructions directing the control processor 406 to establish and utilize the protocol layers shown in FIGS. 1-2. The memory 418 may include RAM memory, flash memory, ROM memory, EPROM memory, EEPROM memory, registers, hard disk, a removable disk, a CD-ROM, or any other form of storage medium or computer readable media known in the art.

[1033] In an exemplary embodiment, the control processor 406 establishes multiple buffer areas (408 and 410) within the memory 418 for the various RLP connections established with multiple mobile stations. In an exemplary embodiment, one pool of RLP<sub>1</sub> buffers 408 includes retransmission and resequencing buffers for use in reliable RLP instances. Another pool of RLP<sub>2</sub> buffers 410 is used for low latency RLP instances, and therefore does not include retransmission and resequencing buffers. The control processor 406 may allocate more than one RLP instance to a single MS. For example, one RLP<sub>1</sub> buffer and one RLP<sub>2</sub> buffer may be allocated to a single MS that is running a combination of delay-sensitive and non-delay-sensitive applications.

[1034] The control processor 406 is also connected to a PDSN 414. In an exemplary embodiment, when the MS sends an IP packet to the packet network 416, the control processor 406 receives the RLP frames from the selector 402 and uses the associated RLP buffer (408 or 410) to extract a stream of bytes from the RLP frames. The bytes are then sent from the control processor 406 to the PDSN 414, which extracts complete IP packets (those having correct CRC values) from

the byte stream in accordance with the HDLC protocol. The PDSN 414 then forwards the resultant IP packets to the packet network 416. If the PDSN 414 maintains a single HDLC connection for multiple RLP connections to a single MS, then the control processor 406 performs deframing before sending the bytes from the RLP frames to the PDSN 414. The result of deframing is that whole HDLC frames are forwarded by the control processor 406 to the PDSN 414. In other words, the control processor 406 ensures that no data from an HDLC frame received on one RLP link will be intermingled with the data from an HDLC frame received on another RLP link. Deframing allows better resource usage in addition to enabling the use of existing PDSNs that cannot allocate more than a single PPP/HDLC to an IP address.

**[1035]** When the packet network 416 sends a packet to the MS, the packets are first received at the PDSN 414. In an exemplary embodiment, the PDSN 414 encapsulates the IP datagrams addressed to the MS into PPP packets and uses HDLC framing to convert the resulting PPP packets into a stream of bytes. In an exemplary embodiment, the PDSN 414 assigns a single HDLC instance to a single MS, and uses that HDLC instance to perform HDLC framing of any IP packet addressed to that MS. In an alternate embodiment, the PDSN 414 may have multiple HDLC instances assigned to a single MS, such that each HDLC instance corresponds to a single RLP connection within the MS.

**[1036]** The connections between the PDSN 414 and the network 416, between the PDSN 414 and the control processor 406, and between the control processor 406 and the selector 402, may use any of a variety of interfaces including ethernet, T1, ATM, or other fiber, wired or wireless interface. In exemplary embodiment, the connection between the control processor 406 and the memory 418 will generally be a direct hardware connection such as a memory bus, but may also be one of the other types of connection discussed above.

**[1037]** FIG. 5 is a flowchart of an exemplary method of sending packets through multiple RLP connections having different grades of service. In an exemplary embodiment, a control processor of the sending apparatus (302 of FIG. 3 or 406 of FIG. 4) utilizes the method characterized by FIG. 5. At step 502, the sender



encapsulates the IP packet to be sent into a PPP packet. In an exemplary embodiment, IP header compression such as Van-Jacobson (VJ) header compression is also performed at step **502**. At step **504**, the sender then converts the PPP packet into a byte stream according to the HDLC protocol. Specifically, each PPP packet is converted into an HDLC frame. One or more flag characters are inserted between HDLC frames in the byte stream, and flag and control characters that appear within each frame are replaced with escape sequences. Probably the most common examples of HDLC escaping are replacing the flag sequence octet 0x7e (hexadecimal) with the two octets 0x7d 0x5e (hexadecimal) and replacing octet 0x7d (hexadecimal) with the two octets 0x7d 0x5d (hexadecimal) . Also at step **504**, a CRC is computed for each frame and inserted at the end of the frame (before the flag character that signals the end of the frame). At step **506**, the sender determines which of a set of available grades of service should be used to send the data for the frame based on the type of the packet. IP packets being sent using non-delay-sensitive applications such as FTP or TCP are sent at step **508** using reliable RLP (with retransmission and resequencing). Also, any packets that are not IP packets, but still non-delay-sensitive (such as IPCP or LCP packets) are sent at step **508** using reliable RLP. Delay-sensitive types of packets, such as Real-Time Protocol (RTP) packets used for video conferencing services, are sent at step **510** using low latency RLP. As discussed above, low latency RLP does not send or request retransmissions of RLP frames lost to communication errors. Though two grades of service are shown in the exemplary embodiment of **FIG. 5.**, one skilled the art will recognize other systems may utilize more than two different grades of service without departing from the scope of the described embodiments. For example, at step **506**, the sender may elect to send some types of packets through an RLP connection having an intermediate level of reliability.

**[1038]** **FIG. 6** is a flowchart of an exemplary method of receiving packets through multiple RLP connections having different grades of service. In an exemplary embodiment, a control processor of the receiving apparatus (**302** of **FIG. 3** or **406** of **FIG. 4**) utilizes the method characterized by **FIG. 6**. At step **602**,

the receiver processes received RLP frames received through one or more RLP connections. In an exemplary embodiment as described above, the RLP frames are received through two types of RLP connections, low latency and reliable.

**[1039]** As described in the aforementioned IS-707, RLP frames received through a reliable RLP connection have sequence numbers that the receiver uses to resequence the frames and request retransmission of lost frames. For example, if an RLP frame having the sequence number "7" is lost to communication errors, the receiver sends a NAK frame to request retransmission of that frame. When the retransmitted frame is received, the data carried in that frame is used to complete the stream of data bytes before providing any subsequent data bytes to the HDLC layer. As a result, the stream of data bytes extracted from the RLP frames of a reliable RLP connection will generally not have gaps compared to what was transmitted by the sender. The cost of preventing gaps in the data is variable latency.

**[1040]** In contrast, when an RLP frame is lost to communication error on a low latency RLP link, no retransmission is requested or sent. Any data bytes carried in such a lost RLP frame is omitted from the stream of data bytes presented to the receiver's HDLC layer. In other words, the loss of an RLP frame on a low latency RLP link invariably causes a gap in the receiver's stream of data bytes compared to what was transmitted by the sender. However, low latency RLP protocol has latency that is both fixed and small, making it highly suitable for sending delay-sensitive types of packets, such as RTP packets.

**[1041]** In an exemplary embodiment described in FIG. 2, the receiver uses deframers (214 and 220 in FIG. 2) received through multiple RLP connections (218 and 216 in FIG. 2) in order to provide whole HDLC frames of data to a single HDLC protocol layer (212 in FIG. 2). In FIG. 6, this deframing is performed at step 604. At step 606, the HDLC protocol layer (212 in FIG. 2) removes HDLC escape sequences that were inserted by the sender and checks the CRC of each HDLC frame. At step 606, any HDLC frame bearing an incorrect CRC is silently discarded by the receiver. The resulting PPP frames are then provided by the HDLC protocol layer to the PPP layer. At step 608, the PPP layer decapsulates

the received packets, removing the PPP header and any other changes made by the sender. Also at step **608**, if the sender compressed the IP header of the received packet (for example, using VJ header compression), then the IP header is expanded to its original size and contents. The decapsulated packets are then routed at step **610**. Though the embodiments described above discuss primarily encapsulating IP packets, PPP and HDLC can also be used to send packets for other protocols such as IPX or LCP.

**[1042]** In an exemplary embodiment using deframers (**214** and **220** in **FIG. 2**), steps **602** and **604** are performed by the control processor (**406** of **FIG. 4**) within the RAN (**412** of **FIG. 4**), and steps **606**, **608**, and **610** are performed by the PDSN (**414** of **FIG. 4**). In alternate embodiment such as that shown in **FIG. 1**, the PDSN (**414** of **FIG. 4**) allocates multiple HDLC layers (**112** and **114** of **FIG. 1**) to a single MS. In this embodiment, there is no deframing performed by the receiver, and step **604** is omitted. At step **602**, each RLP layer (**116** and **118** of **FIG. 1**) provides data extracted from received RLP frames directly to its corresponding HDLC layer (**112** and **114** of **FIG. 1**, respectively).

**[1043]** Thus, described herein is a method and apparatus for providing multiple quality of service levels in a wireless packet data services connection. Those of skill in the art would understand that information and signals may be represented using any of a variety of different technologies and techniques. For example, data, instructions, commands, information, signals, bits, symbols, and chips that may be referenced throughout the above description may be represented by voltages, currents, electromagnetic waves, magnetic fields or particles, optical fields or particles, or any combination thereof. One skilled in the art will also recognize that the PDSN in the above-described embodiments could also be replaced with an Interworking Function (IWF) without departing from the scope of the described embodiments.

**[1044]** Those of skill would further appreciate that the various illustrative logical blocks, modules, circuits, and algorithm steps described in connection with the embodiments disclosed herein may be implemented as electronic hardware, computer software, or combinations of both. To clearly illustrate this

interchangeability of hardware and software, various illustrative components, blocks, modules, circuits, and steps have been described above generally in terms of their functionality. Whether such functionality is implemented as hardware or software depends upon the particular application and design constraints imposed on the overall system. Skilled artisans may implement the described functionality in varying ways for each particular application, but such implementation decisions should not be interpreted as causing a departure from the scope of the present invention.

**[1045]** The various illustrative logical blocks, modules, and circuits described in connection with the embodiments disclosed herein may be implemented or performed with a general purpose processor, a digital signal processor (DSP), an application specific integrated circuit (ASIC), a field programmable gate array (FPGA) or other programmable logic device, discrete gate or transistor logic, discrete hardware components, or any combination thereof designed to perform the functions described herein. A general purpose processor may be a microprocessor, but in the alternative, the processor may be any conventional processor, controller, microcontroller, or state machine. A processor may also be implemented as a combination of computing devices, e.g., a combination of a DSP and a microprocessor, a plurality of microprocessors, one or more microprocessors in conjunction with a DSP core, or any other such configuration.

**[1046]** The steps of a method or algorithm described in connection with the embodiments disclosed herein may be embodied directly in hardware, in a software module executed by a processor, or in a combination of the two. A software module may reside in RAM memory, flash memory, ROM memory, EPROM memory, EEPROM memory, registers, hard disk, a removable disk, a CD-ROM, or any other form of storage medium or computer readable media known in the art. An exemplary storage medium is coupled to the processor such the processor can read information from, and write information to, the storage medium. In the alternative, the storage medium may be integral to the processor. The processor and the storage medium may reside in an ASIC. The ASIC may reside

in a mobile station. In the alternative, the processor and the storage medium may reside as discrete components in a mobile station.

**[1047]** The previous description of the disclosed embodiments is provided to enable any person skilled in the art to make or use the present invention. Various modifications to these embodiments will be readily apparent to those skilled in the art, and the generic principles defined herein may be applied to other embodiments without departing from the scope of the claims. Thus, the present invention is not intended to be limited to the embodiments shown herein but is to be accorded the widest scope consistent with the principles and novel features disclosed herein.

**[1048] WHAT IS CLAIMED IS:**

74769-734

17

CLAIMS:

1. A method for providing packet data services, the method comprising:

utilizing by one of a mobile station and a  
5 wireless network a single Point-to-Point Protocol (PPP)  
layer for communication by multiple data applications  
between the mobile station and the wireless network;

sending and receiving data through said single PPP  
layer using a first Radio Link Protocol (RLP) layer  
10 implementing a first RLP connection having a reliable grade  
of service for a first type of data application; and

sending and receiving data through said single PPP  
layer using a second RLP layer implementing a second RLP  
connection independent of the first RLP connection having a  
15 low latency grade of service for a second type of data  
application,

wherein the first RLP layer is configured for data  
retransmissions, and the second RLP layer is not configured  
for data retransmissions and the first and second RLP layers  
20 using different concurrent grades of service.

2. The method of claim 1, further comprising:

establishing a first buffer for the first RLP  
layer having a first buffer size based on the reliable grade  
of service; and

25 establishing a second buffer for the second RLP  
layer having a second buffer size based on the low latency  
grade of service.

3. The method of claim 2, wherein the first RLP  
buffer includes retransmission and resequencing buffers, and

74769-734

18

the second RLP buffer does not include retransmission and resequencing buffers.

4. The method of claim 1, further comprising establishing a single High-level Data Link Control (HDLC) layer, disposed between said PPP layer and said first and second RLP layers.

5. The method of claim 4, further comprising:  
establishing a first deframer layer, disposed between said HDLC layer and said first RLP layer, for providing whole HDLC frames to said HDLC layer.

6. The method of claim 1, further comprising:  
establishing a first High-level Data Link Control (HDLC) layer, disposed between said PPP layer and said first RLP layer; and

15 establishing a second High-level Data Link Control (HDLC) layer, disposed between said PPP layer and said second RLP layer.

7. The method of claim 1, wherein said establishing the single PPP layer occurs at the mobile station, the method further comprising:

at the mobile station, using the single PPP layer to encapsulate an IP packet associated with a delay-sensitive application to generate a first PPP packet;

25 at the mobile station, using the single PPP layer to encapsulate an IP packet associated with a non-delay-sensitive application to generate a second PPP packet;

74769-734

19

at the mobile station, sending the first PPP packet through the second RLP layer to the wireless network; and

at the mobile station, sending the second PPP  
5 packet through the first RLP layer to the wireless network.

8. The method of claim 7, further comprising:

at the mobile station, converting the first PPP packet into a first High-level Data Link Control (HDLC) frame using an HDLC layer in the mobile station prior to  
10 sending the first PPP packet; and

at the mobile station, converting the second PPP packet into a second HDLC frame using the HDLC layer in the mobile station prior to sending the second PPP packet.

9. The method of claim 1, further comprising:

15 in a packet control function (PCF), receiving a first set of data bytes from the mobile station through a low latency RLP layer;

in the PCF, receiving a second set of data bytes from the mobile station through a reliable RLP layer;

20 providing the first set of data bytes to a Packet Data Serving Node (PDSN) through a Point-to-Point Protocol (PPP) connection with the PDSN; and

providing the second set of data bytes to the PDSN through the PPP connection.

25 10. The method of claim 9, further comprising:

prior to providing the first set of data bytes to the PPP connection, using one or more High-level Data Link



74769-734

20

Control (HDLC) flag characters within the first set of data bytes to identify a third set of data bytes within the first set of data bytes corresponding to at least one complete HDLC frame; and

5            providing the third set of data bytes consecutively to the PDSN through the PPP connection.

11.        The method of claim 9, further comprising:

          prior to providing the first set of data bytes to the PPP connection, using one or more High-level Data Link Control (HDLC) flag characters within the second set of data  
10        bytes to identify a third set of data bytes within the second set of data bytes corresponding to at least one complete HDLC frame; and

          providing the third set of data bytes  
15        consecutively to the PDSN through the PPP connection.

12.        The method of claim 9, further comprising:

          providing the first set of data bytes to the PPP connection through a first High-level Data Link Control (HDLC) connection with the PDSN; and

20            providing the second data bytes to the PPP layer through a second HDLC connection with the PDSN.

13.        A computer-readable medium having a computer readable program code thereon, the computer readable program code when executed by a processor performs a method for  
25        providing packet data services, the method comprising:

          establishing a single Point-to-Point Protocol (PPP) layer for communication by multiple data applications between a mobile station and a wireless network;

74769-734

21

sending and receiving data through said single PPP layer using a first Radio Link Protocol (RLP) layer implementing a first RLP connection having a reliable grade of service for a first type of data application; and

5 sending and receiving data through said single PPP layer using a second RLP layer implementing a second RLP connection independent of the first RLP connection having a low latency grade of service for a second type of data application,

10 wherein the first RLP layer is configured for data retransmissions, and the second RLP layer is not configured for data retransmissions and the first and second RLP layers using different concurrent grades of service.

14. A mobile station comprising a control processor  
15 and a memory, wherein the control processor is configured to execute instructions in the memory for:

establishing a single Point-to-Point Protocol (PPP) layer for multiple data applications to exchange data between the mobile station and a wireless network;

20 sending and receiving data through said single PPP layer using at least first and second Radio Link Protocol (RLP) layers respectively implementing a first RLP connection having a reliable grade of service for a first type of data application and implementing a second RLP  
25 connection independent of the first RLP connection having a low latency grade of service for a second type of data application,

wherein the first RLP layer is configured for data retransmissions, and the second RLP layer is not configured

74769-734

22

for data retransmissions and the first and second RLP layers using different concurrent grades of service.

15. The mobile station of claim 14, further comprising a wireless modem for modulating RLP frames generated by the  
5 first and second RLP layers.

16. The mobile station of claim 14, further comprising a CDMA wireless modem for modulating RLP frames generated by the first and second RLP layers.

17. The mobile station of claim 14, wherein said  
10 instructions further comprise establishing a buffer for each of said at least two RLP layers, wherein the size of each buffer is based on the grade of service of the corresponding RLP layer.

18. The mobile station of claim 17, wherein each  
15 buffer includes retransmission and resequencing buffers only if the corresponding RLP layer is reliable.

19. The mobile station of claim 14, the instructions further comprising establishing a single High-level Data Link Control (HDLC) layer, disposed between said PPP layer  
20 and said at least two RLP layers.

20. A wireless network comprising:

a packet control function (PCF) apparatus comprising a control processor and a memory, wherein the control processor is configured to execute instructions  
25 stored in the memory for:

establishing a single Point-to-Point Protocol (PPP) layer for communication by multiple data applications between a mobile station and the wireless network;

74769-734

23

establishing a first Radio Link Protocol (RLP) layer having a reliable grade of service;

establishing a second RLP layer having a low latency grade of service different from the reliable grade  
5 of service;

receiving data from a mobile station through the first RLP layer implementing a first RLP connection and sending the data to the single PPP layer; and

receiving data from the mobile station through the  
10 second RLP layer implementing a second RLP connection independent of the first RLP connection and sending the data to the single PPP layer,

wherein the first RLP layer is configured for data retransmissions, and the second RLP layer is not configured  
15 for data retransmissions and the first and second RLP layers using different concurrent grades of service.

21. The wireless network of claim 20, wherein the processor is configured for:

deframing data received through the first RLP  
20 layer to identify a first High-level Data Link Control (HDLC) frame;

deframing data received through the second RLP layer to identify a second HDLC frame;

providing the first HDLC frame to a Packet Data  
25 Serving Node (PDSN); and

providing the second HDLC frame to the PDSN.

22. The wireless network of claim 20, wherein the processor is configured for:

74769-734

24

providing data received through the first RLP layer to a first High-level Data Link Control (HDLC) layer in a Packet Data Serving Node (PDSN); and

providing data received through the second RLP  
5 layer to a second HDLC layer in the PDSN.

23. The wireless network of claim 20, further comprising:

a Packet Data Serving Node (PDSN) for extracting IP packets from data received through the first and second  
10 RLP layers, and providing the IP packets to an internet.

24. The wireless network of claim 23, wherein:

the PDSN extracts IP packets from data received through a single High-level Data Link Control (HDLC) layer associated with a single Point-to-Point Protocol (PPP)  
15 connection to a mobile station

wherein the PCF provides the first HDLC frame to the single HDLC layer, and after providing the first HDLC frame to the single HDLC layer, providing the second HDLC frame to the single HDLC layer.

20 25. An apparatus for providing packet data services, comprising:

means for establishing a single Point-to-Point Protocol (PPP) layer for communication by multiple data applications between a mobile station and a wireless  
25 network;

means for sending and receiving data through said single PPP layer using a first Radio Link Protocol (RLP) layer implementing a first RLP connection having a reliable grade of service for a first type of data application; and

74769-734

25

means for sending and receiving data through said single PPP layer using a second RLP layer implementing a second RLP connection independent of the first RLP connection having a low latency grade of service for a  
5 second type of data application,

wherein the first RLP layer is configured for data retransmissions, and the second RLP layer is not configured for data retransmissions and the first and second RLP layers using different concurrent grades of service.

10 26. The apparatus of claim 25, further comprising means for establishing a single High-level Data Link Control (HDLC) layer, disposed between said PPP layer and said first and second RLP layers.

15 27. The apparatus of claim 25, wherein said means for establishing the single PPP layer occurs at the mobile station, and further comprising:

at the mobile station, means for using the single PPP layer to encapsulate an IP packet associated with a delay-sensitive application to generate a first PPP packet;

20 at the mobile station, means for using the single PPP layer to encapsulate an IP packet associated with a non-delay-sensitive application to generate a second PPP packet;

at the mobile station, means for sending the first PPP packet through the second RLP layer to the wireless  
25 network; and

at the mobile station, means for sending the second PPP packet through the first RLP layer to the wireless network.

74769-734

26

28. A computer readable media embodying instructions executable by a processor to perform a method for providing packet data services, the method comprising:

5 establishing a single Point-to-Point Protocol (PPP) layer for communication between a mobile station and a wireless network;

sending and receiving data through said single PPP layer using a first Radio Link Protocol (RLP) layer characterized by a first grade of service;

10 sending and receiving data through said single PPP layer using a second RLP layer characterized by a second grade of service, wherein the first grade of service is different from the second grade of service;

15 establishing a single High-level Data Link Control (HDLC) layer between said PPP layer and said first and second RLP layers; and

establishing a deframer layer between said HDLC layer and said first RLP layer, said deframer layer configured to provide whole HDLC frames to said HDLC layer.

20 29. The computer readable media of claim 28, the method further comprising:

establishing a first buffer having a first buffer size based on the first grade of service; and

25 establishing a second buffer having a second buffer size based on the second grade of service.

30. The computer readable media of claim 29, wherein the first buffer includes retransmission and resequencing buffers, and the second buffer does not include retransmission and resequencing buffers.

74769-734

27

31. A computer readable media embodying instructions executable by a processor to perform a method for providing packet data services, the method comprising:

5 establishing a single Point-to-Point Protocol (PPP) layer for communication between a mobile station and a wireless network;

sending and receiving data through said single PPP layer using a first Radio Link Protocol (RLP) layer characterized by a first grade of service;

10 sending and receiving data through said single PPP layer using a second RLP layer characterized by a second grade of service, wherein the first grade of service is different from the second grade of service;

15 establishing a first High-level Data Link Control (HDLC) layer between said PPP layer and said first layer; and

establishing a second High-level Data Link Control (HDLC) layer between said PPP layer and said second RLP layer.

20 32. A mobile station apparatus, comprising a processor and a memory, wherein the memory embodies instructions executable by the processor to perform a method for providing packet data services, the method comprising:

25 establishing a single Point-to-Point Protocol (PPP) layer for the mobile station;

sending and receiving data through said single PPP layer using at least two Radio Link Protocol (RLP) layers characterized by at least two different grades of service;



74769-734

28

establishing a single High-level Data Link Control (HDLC) layer between said PPP layer and said at least two layers; and

5 establishing a deframer layer between said HDLC layer and one of said at least two RLP layers, said deframer layer configured to provide whole HDLC frames to said HDLC layer.

33. The mobile station apparatus of claim 32, further comprising a wireless modem for modulating RLP frames  
10 generated by the first and second RLP layers.

34. The mobile station apparatus of claim 32, further comprising a CDMA wireless modem for modulating RLP frames generated by the first and second RLP layers.

35. The mobile station apparatus of claim 32, wherein  
15 the different grades of service include a reliable grade of service and a low latency grade of service.

36. The mobile station apparatus of claim 32, wherein said method further comprises establishing a buffer for each of said at least two RLP layers, and wherein the size of  
20 each buffer is based on the grade of service of the corresponding RLP layer.

37. The mobile station apparatus of claim 36, wherein each buffer includes retransmission and resequencing buffers only if the corresponding RLP layer is reliable.

25 38. A packet control function (PCF) apparatus, comprising a processor and a memory, wherein the memory embodies instructions executable by the processor to perform a method comprising:

74769-734

29

establishing a first Radio Link Protocol (RLP) layer characterized by a first grade of service;

establishing a second RLP layer characterized by a second grade of service different from the first grade of  
5 service;

receiving data from a mobile station through the first RLP layer;

receiving data from the mobile station through the second RLP layer;

10 deframing data received through the first RLP layer to identify a first High-level Data Link Control (HDLC) frame;

deframing data received through the second RLP layer to identify a second HDLC frame;

15 providing the first HDLC frame to a Packet Data Serving Node (PDSN); and

providing the second HDLC frame to the PDSN.

39. A packet control function (PCF) apparatus, comprising a processor and a memory, wherein the memory  
20 embodies instructions executable by the processor to perform a method comprising:

establishing a first Radio Link Protocol (RLP) layer characterized by a first grade of service;

establishing a second RLP layer characterized by a second grade of service different from the first grade of  
25 service;

receiving data through the first RLP layer;

74769-734

30

receiving data through the second RLP layer;

providing data received through the first RLP layer to a first High-level Data Link Control (HDLC) layer in a Packet Data Serving Node (PDSN); and

5 providing data received through the second RLP layer to a second HDLC layer in the PDSN.

40. A wireless network apparatus comprising:

a Packet Control Function (PCF) apparatus comprising a control processor and a memory, wherein the  
10 control processor is configured to execute instructions in the memory for establishing a first Radio Link Protocol (RLP) layer characterized by a first grade of service, establishing a second RLP layer characterized by a second grade of service different from the first grade of service,  
15 receiving data through the first RLP layer, receiving data through the second RLP layer, providing data received through the first RLP layer to a first High-level Data Link Control (HDLC) layer in a Packet Data Serving Node (PDSN), and providing data received through the second layer to a  
20 second HDLC layer in the PDSN.

41. The wireless network apparatus of claim 40 further comprising the Packet Data Serving Node (PDSN).

42. A wireless network apparatus comprising:

25 a Packet Data Serving Node (PDSN) apparatus comprising a control processor and a memory, wherein the control processor is configured to execute instructions in the memory for extracting IP packets from data received through a single High-level Data Link Control (HDLC) layer

74769-734

31

associated with a single Point-to-Point Protocol (PPP) connection to a mobile station; and

a Packet Control Function (PCF) apparatus comprising a control processor and a memory, wherein the control processor is configured to execute instructions in the memory for establishing a first Radio Link Protocol (RLP) layer characterized by a first grade of service, establishing a second RLP layer characterized by a second grade of service different from the first grade of service, deframing data received through the first RLP layer to identify a first HDLC frame, deframing data received through the second RLP layer to identify a second HDLC frame, providing the first HDLC frame to the single HDLC layer, and after providing the first HDLC frame to the single HDLC layer, providing the second HDLC frame to the single HDLC layer.

43. A method for providing packet data services, comprising:

establishing a single Point-to-Point Protocol (PPP) layer for communication between a mobile station and a wireless network;

sending and receiving data through said single PPP layer using at least two Radio Link Protocol (RLP) layers characterized by at least two different grades of service;

establishing a single High-level Data Link Control (HDLC) layer between said PPP layer and said at least two RLP layers; and

establishing a deframer layer between said HDLC layer and said first RLP layer, said deframer layer configured to provide whole HDLC frames to said HDLC layer.

74769-734

32

44. The method of claim 43, the method further comprising establishing a buffer for each of said at least two RLP layers, wherein the size of each buffer is based on the grade of service of the corresponding RLP layer.

5 45. A method for providing packet data services, comprising:

establishing a single Point-to-Point Protocol (PPP) layer for communication between a mobile station and a wireless network;

10 sending and receiving data through said single PPP layer using a first Radio Link Protocol (RLP) layer characterized by a first grade of service;

15 sending and receiving data through said single PPP layer using a second RLP layer characterized by a second grade of service, wherein the first grade of service is different from the second grade of service;

establishing a first High-level Data Link Control (HDLC) layer between said PPP layer and said first RLP layer; and

20 establishing a second High-level Data Link Control (HDLC) layer between said PPP layer and said second RLP layer.

46. A mobile station apparatus, comprising a processor and a memory, wherein the memory embodies instructions executable by the processor to perform a method for providing packet data services, the method comprising:

25 establishing a single Point-to-Point Protocol (PPP) layer for communication between the mobile station and a wireless network;

74769-734

33

using the single PPP layer to encapsulate an IP packet associated with a delay-sensitive application to generate a first PPP packet;

5 using the single PPP layer to encapsulate an IP packet associated with a non-delay-sensitive application to generate a second PPP packet;

sending the first PPP packet through a low latency Radio Link Protocol (RLP) layer to the wireless network;

10 sending the second PPP packet through a reliable RLP layer to the wireless network;

establishing a single High-level Data Link Control (HDLC) layer between the single PPP layer and the low latency and reliable RLP layers; and

15 establishing a deframer layer between said HDLC layer and one of the low latency and reliable RLP layers, the deframer layer configured to provide whole HDLC frames to said HDLC layer.

47. The mobile station apparatus of claim 46, the method further comprising:

20 converting the first PPP packet into a first High-level Data Link Control (HDLC) frame using the HDLC layer prior to sending the first PPP packet; and

25 converting the second PPP packet into a second HDLC frame using the HDLC layer prior to sending the second PPP packet.

48. A packet control function (PCF) apparatus, comprising a processor and a memory, wherein the memory embodies instructions executable by the processor to perform

74769-734

34

a method for providing packet data services, the method comprising:

receiving a first set of data through a low latency Radio Link Protocol (RLP) layer;

5 receiving a second set of data station through a reliable RLP layer;

deframing the data received through the low latency RLP layer to identify a first High-level Data Link Control (HDLC) frame;

10 deframing the data received through the reliable RLP layer to identify a second HDLC frame;

providing the first HDLC frame to a Packet Data Serving Node (PDSN); and

providing the second HDLC frame to the PDSN.

15 49. The packet control function (PCF) apparatus of claim 48, further comprising:

prior to providing the first set of data to the PPP layer, using one or more High-level Data Link Control (HDLC) flag characters within the first set of data to  
20 identify at least one complete HDLC frame; and

providing the at least one complete HDLC frame to the PDSN through the PPP connection.

50. The packet control function (PCF) apparatus of claim 48, further comprising:

25 prior to providing the first set of data to the PPP layer, using one or more High-level Data Link Control

74769-734

35

(HDLC) flag characters within the second set of data to identify at least one complete HDLC frame; and

providing the at least one complete HDLC frame to the PDSN through the PPP connection.

5 51. The packet control function (PCF) apparatus of claim 48, further comprising:

providing the first set of data to a Point-to-Point (PPP) layer through a first High-level Data Link Control (HDLC) connection with the PDSN; and

10 providing the second data to the PPP layer through a second HDLC connection with the PDSN.

52. An apparatus comprising:

a Packet Control Function (PCF) apparatus comprising a control processor and a memory, wherein the control processor is configured to execute instructions in the memory for establishing a first Radio Link Protocol (RLP) layer characterized by a first grade of service, to establish a second RLP layer characterized by a second grade of service different from the first grade of service, to deframe data received through the first RLP layer to identify a first HDLC frame, to deframe data received through the second RLP layer to identify a second HDLC frame, to provide the first HDLC frame to a single High-level Data Link Control (HDLC) layer associated with a single Point-to-Point Protocol (PPP) connection to a mobile station, and after providing the first HDLC frame to the single HDLC layer, to provide the second HDLC frame to the single HDLC layer.

15  
20  
25



74769-734

36

53. The apparatus of claim 52 further comprising a Packet Data Serving Node (PDSN), configured to extract IP packets from data received through the single HDLC layer.

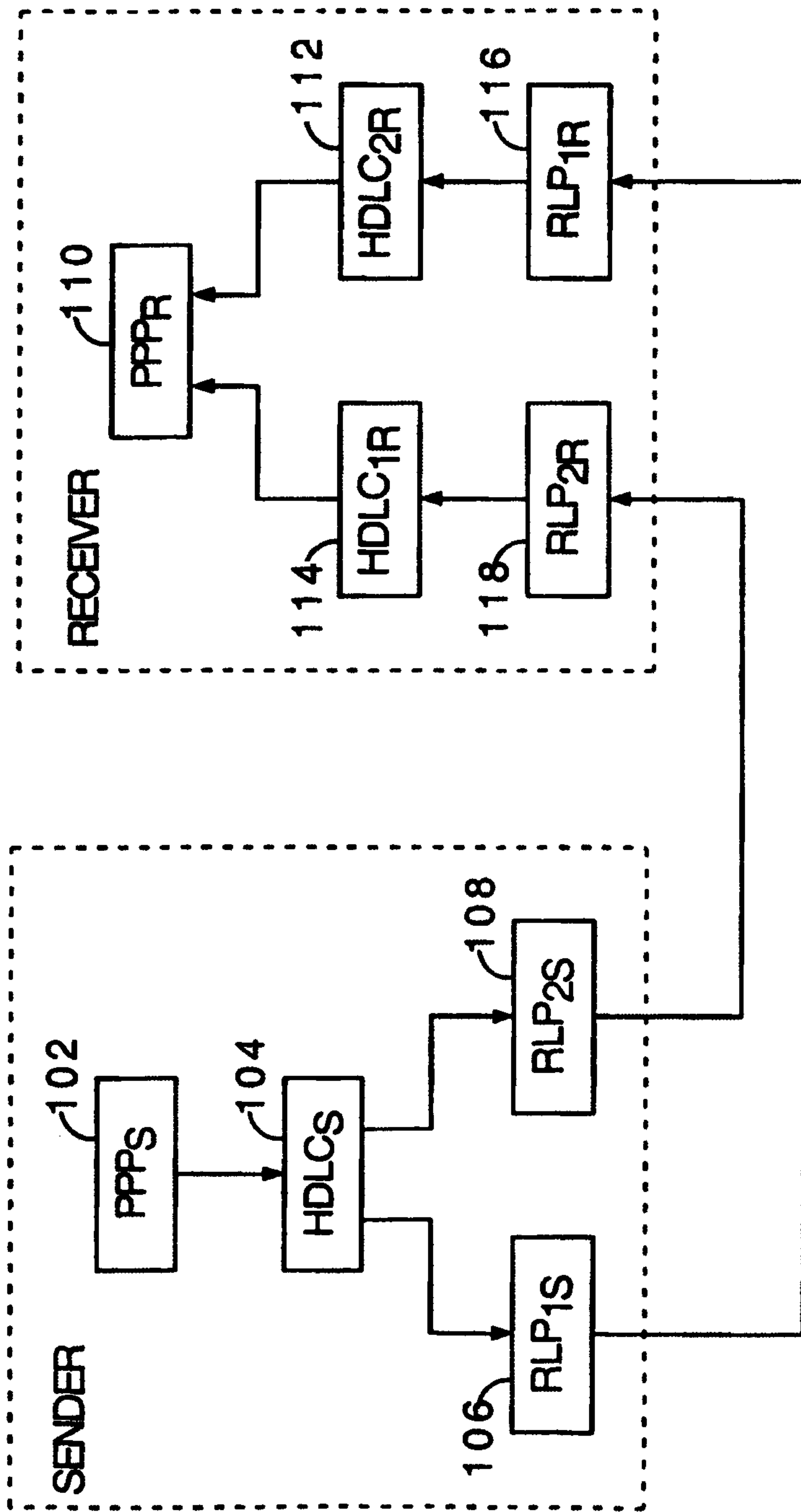


FIG. 1

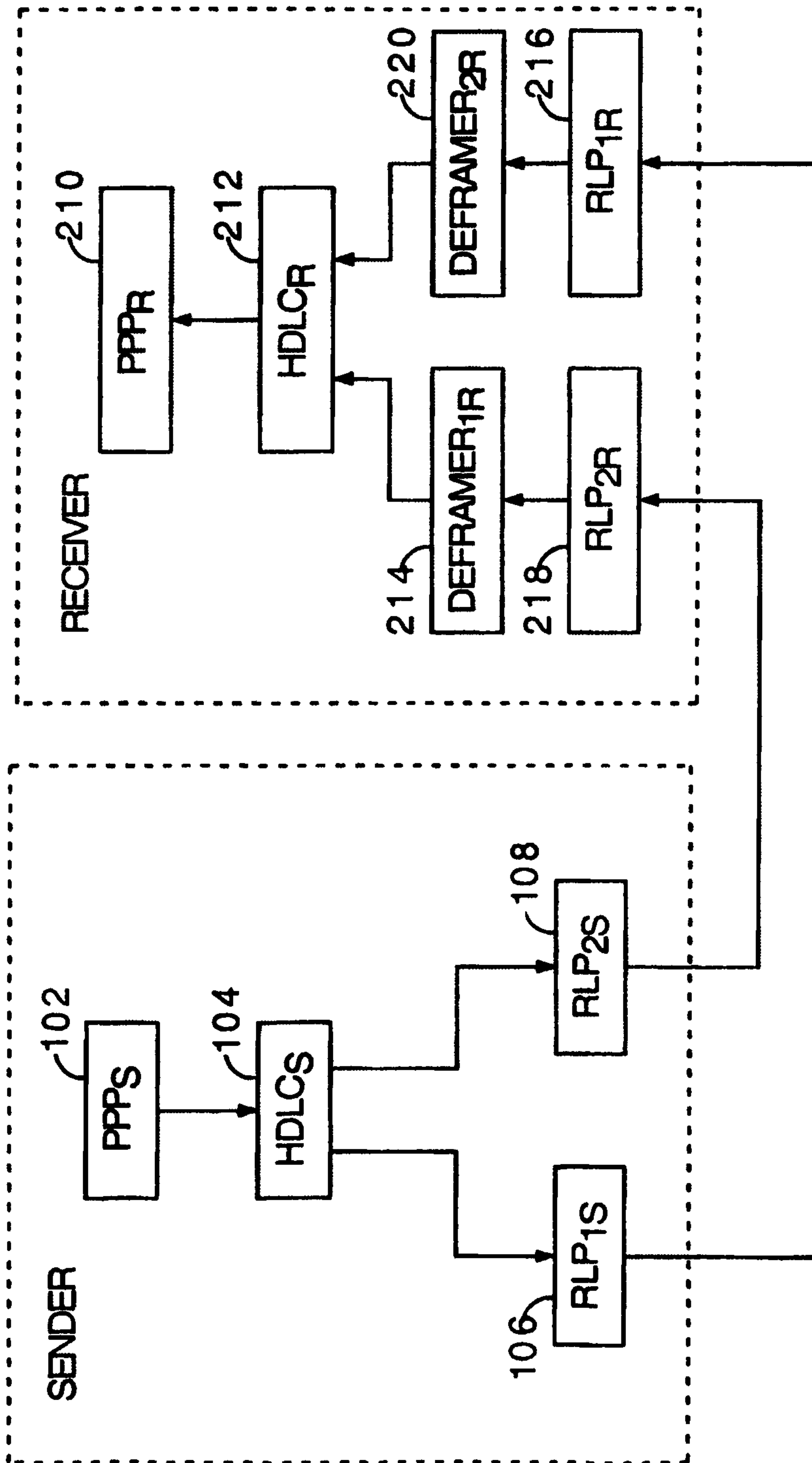


FIG. 2

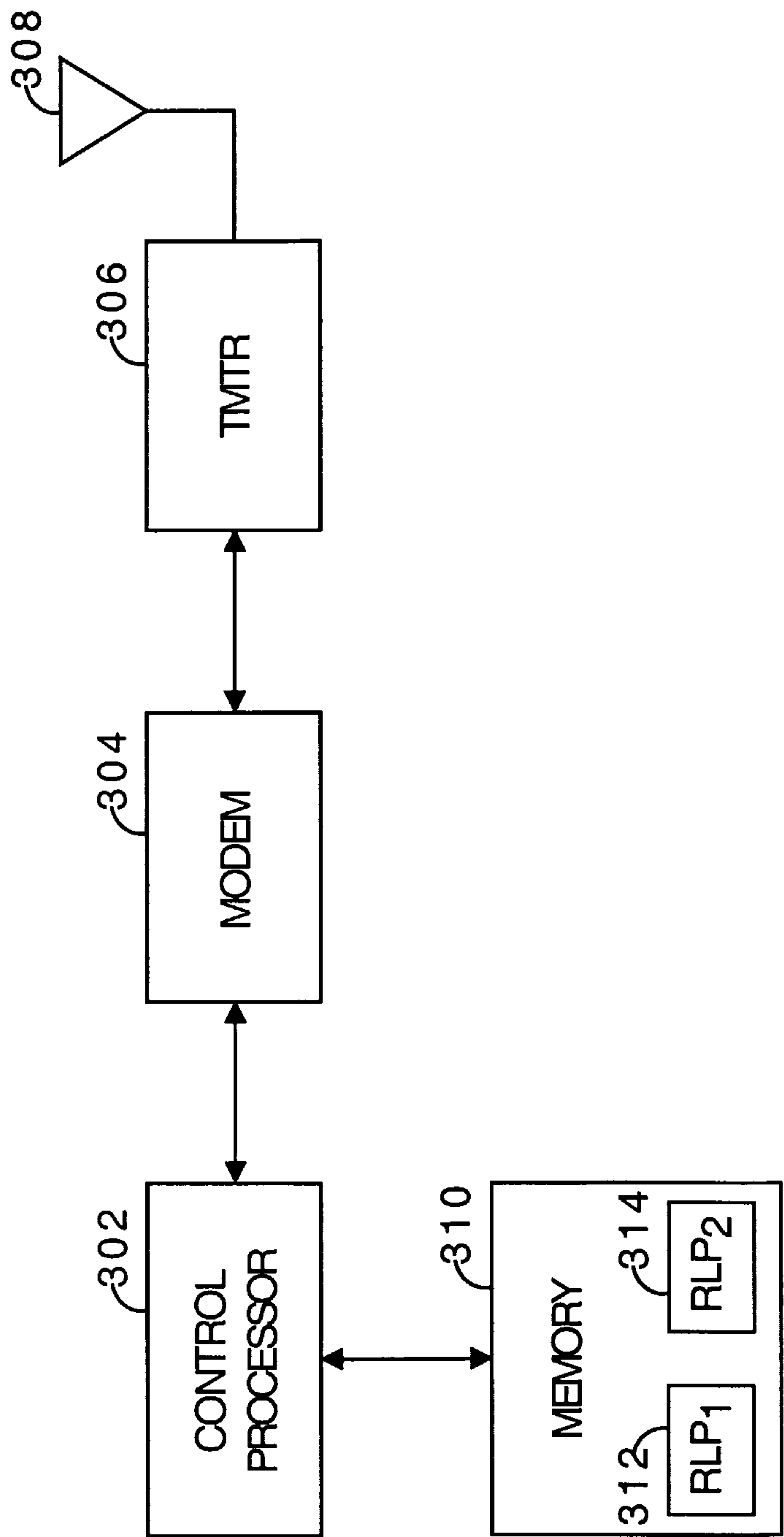


FIG. 3

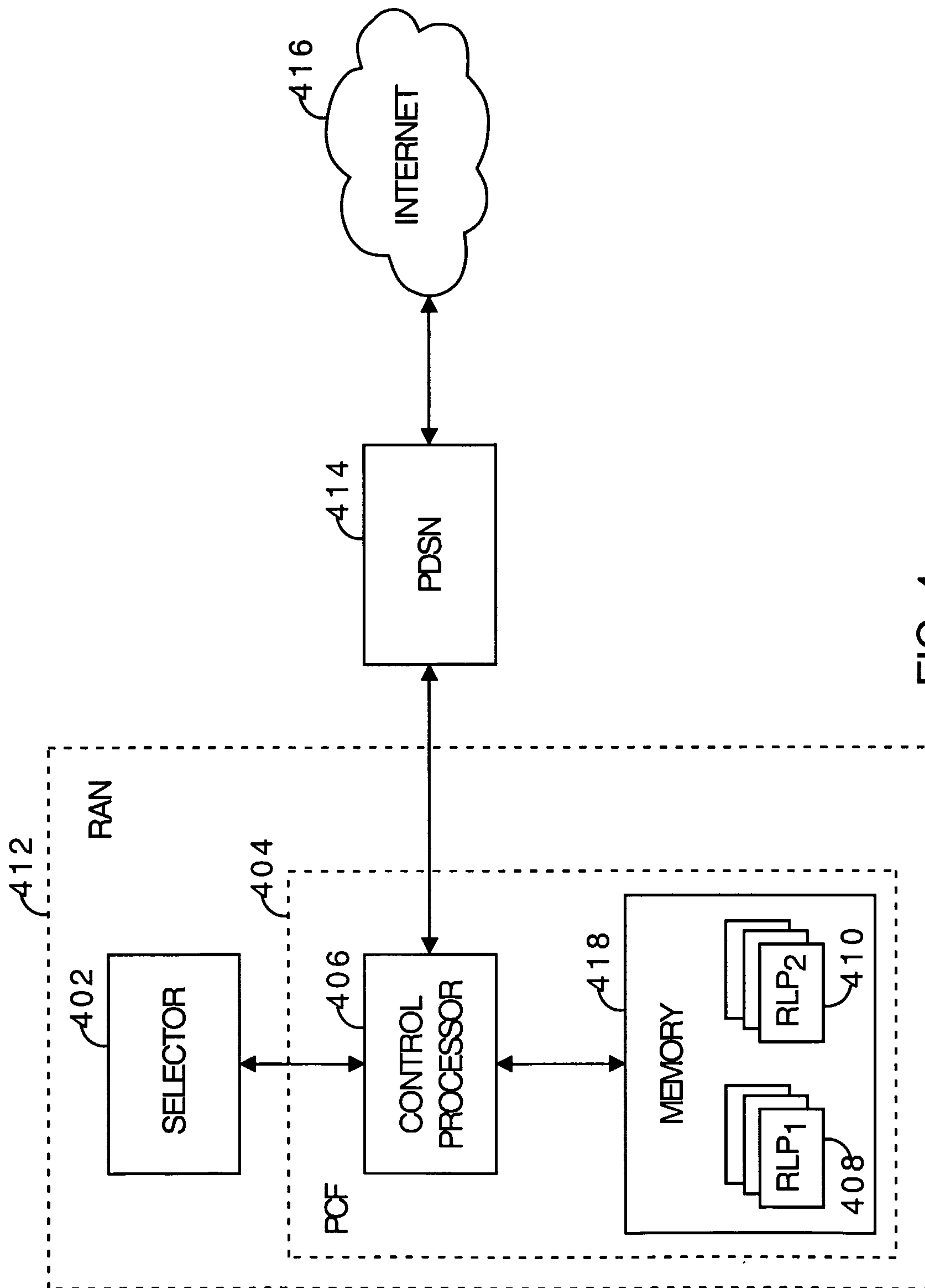


FIG. 4

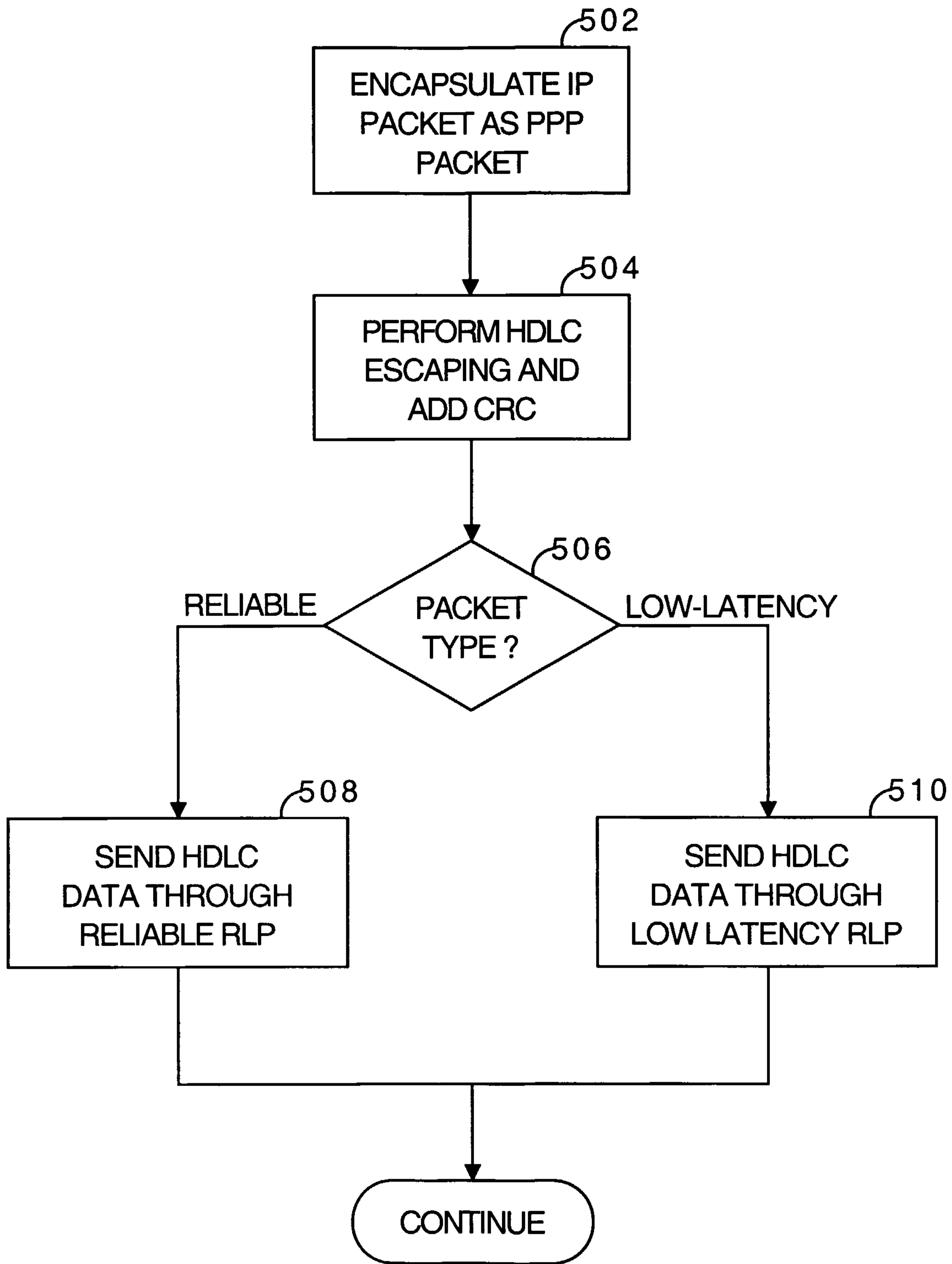


FIG. 5

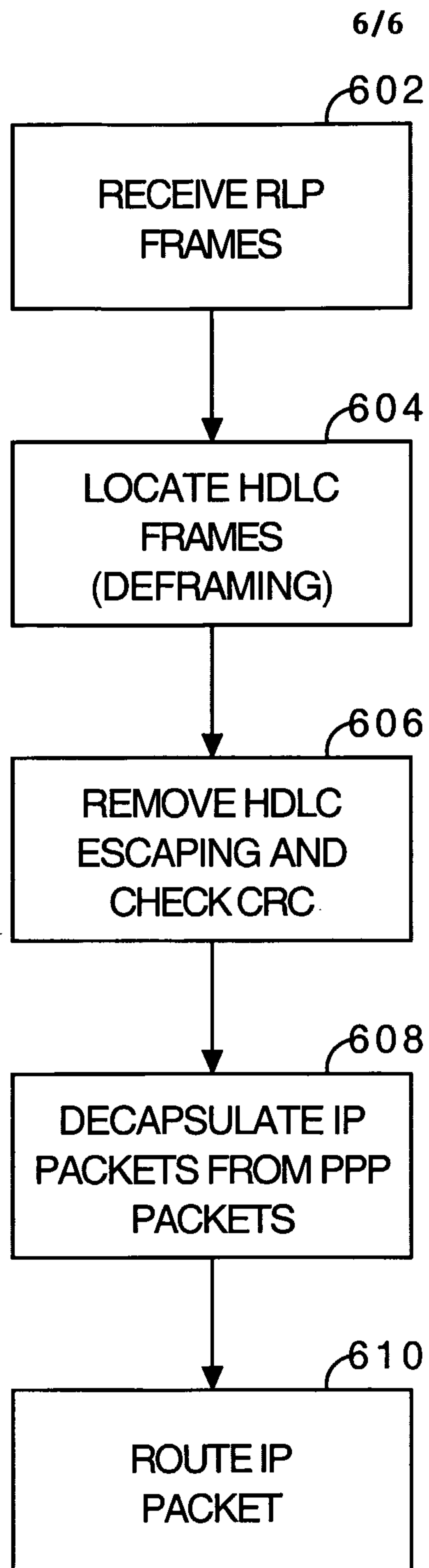


FIG. 6

