



US0D1034915S

(12) **United States Design Patent**
Chiang et al.

(10) **Patent No.:** **US D1,034,915 S**

(45) **Date of Patent:** **** Jul. 9, 2024**

(54) **FAUCET**

(71) Applicant: **Globe Union Industrial Corp.,**
Taichung (TW)

(72) Inventors: **Yi-Shan Chiang,** Taichung (TW);
Ya-Chieh Lai, Taichung (TW);
Chun-Yi Tu, Taichung (TW); **Wei-Jen**
Chen, Taichung (TW); **Tun-Yao Tsai,**
Taichung (TW)

(73) Assignee: **Globe Union Industrial Corp.,**
Taichung (TW)

(**) Term: **15 Years**

(21) Appl. No.: **29/857,409**

(22) Filed: **Oct. 21, 2022**

(51) **LOC (14) Cl.** **23-01**

(52) **U.S. Cl.**

USPC **D23/238**

(58) **Field of Classification Search**

USPC D23/238, 249–250, 252; D8/307–308
CPC . E03C 1/02; E03C 1/04; E03C 1/0404; E03C
1/0412; F16K 31/60; F16K 31/607; F16K
31/602; F16K 31/605; Y10T 137/9464
See application file for complete search history.

(56) **References Cited**

U.S. PATENT DOCUMENTS

9,624,654 B2 * 4/2017 Tseng E03C 1/0412
D925,704 S * 7/2021 Yan D23/238

D954,189 S * 6/2022 Upadhyaya D23/238
D962,392 S * 8/2022 Zhang D23/238
D970,698 S * 11/2022 Yang D23/238
D987,041 S * 5/2023 Yu D23/238
D1,013,836 S * 2/2024 Yang D23/238

FOREIGN PATENT DOCUMENTS

WO WO-2020167717 A1 * 8/2020 B01D 35/04

* cited by examiner

Primary Examiner — Robert A Delehanty

(74) *Attorney, Agent, or Firm* — Best & Flanagan LLP

(57) **CLAIM**

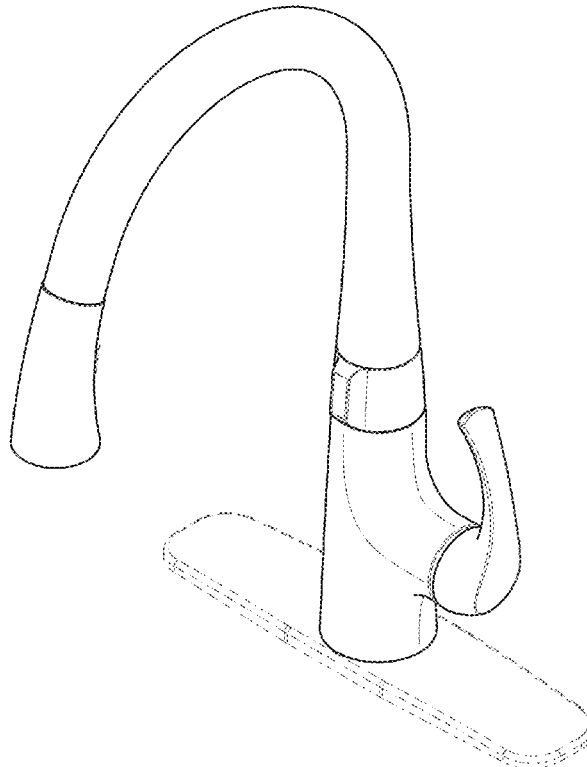
The ornamental design for a faucet, as shown and described.

DESCRIPTION

FIG. 1 is a perspective view of a faucet showing my new design;
FIG. 2 is a front elevational view thereof;
FIG. 3 is a rear elevational view thereof;
FIG. 4 is a left side elevational view thereof;
FIG. 5 is a right side elevational view thereof;
FIG. 6 is a top plan view thereof; and,
FIG. 7 is a bottom plan view thereof.

The broken-line disclosures in the view represent portions of the faucet in which the claimed design is embodiment, but which forms no part of the claimed design.

1 Claim, 7 Drawing Sheets



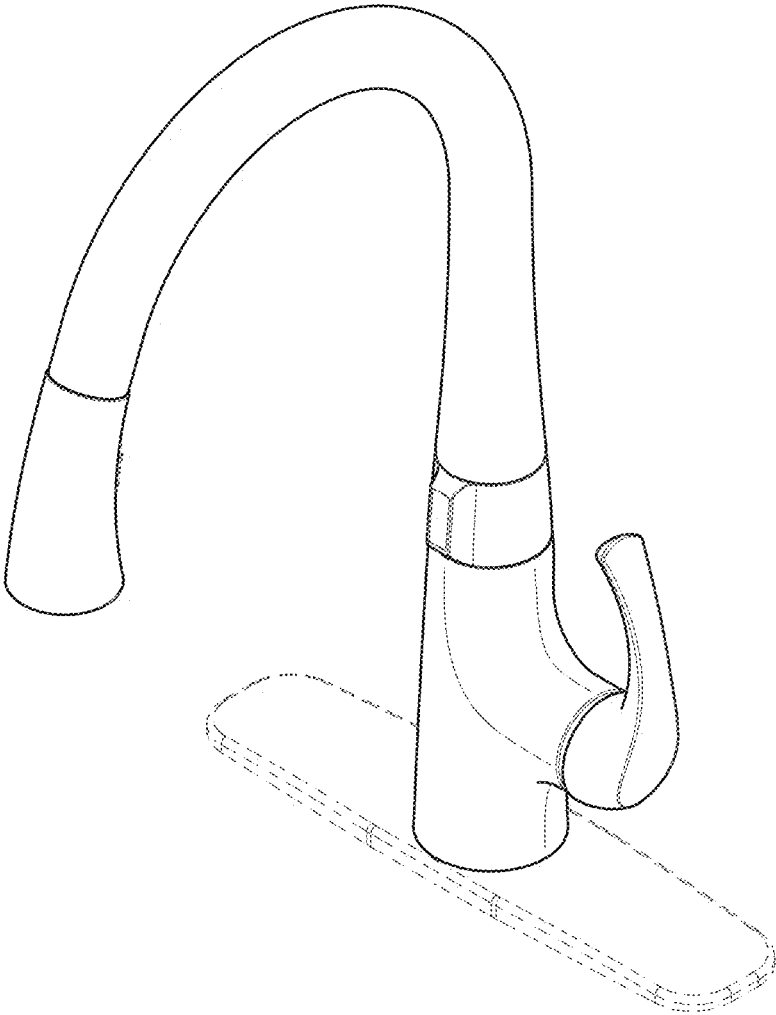


FIG. 1

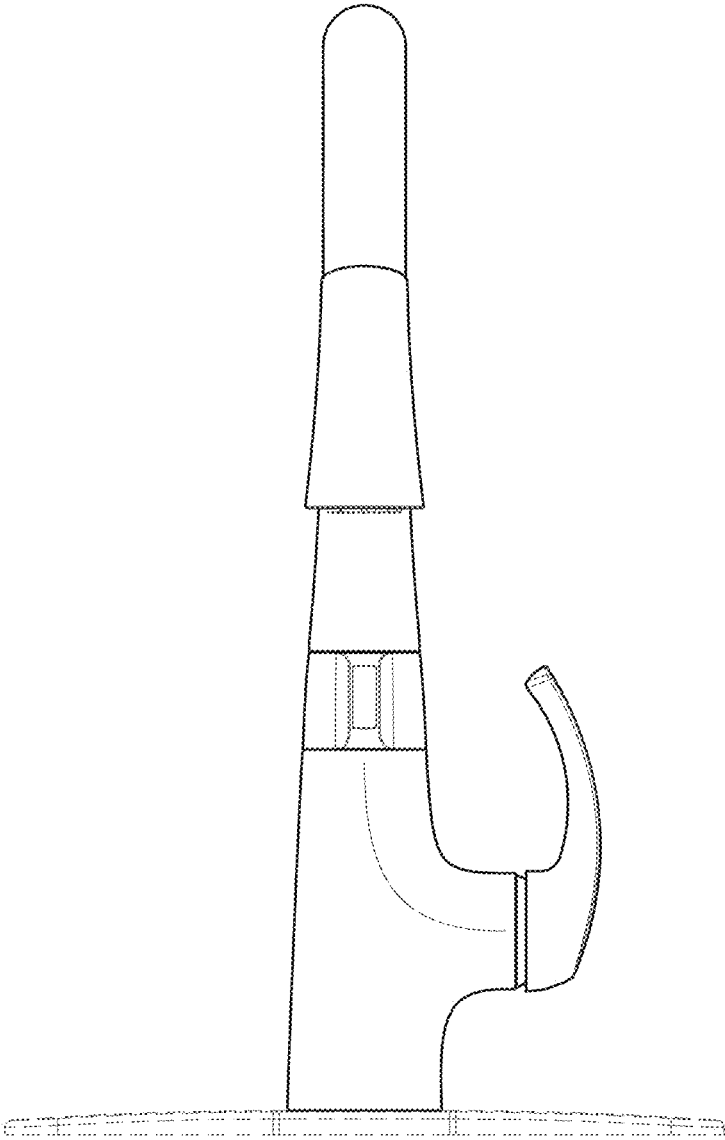


FIG. 2

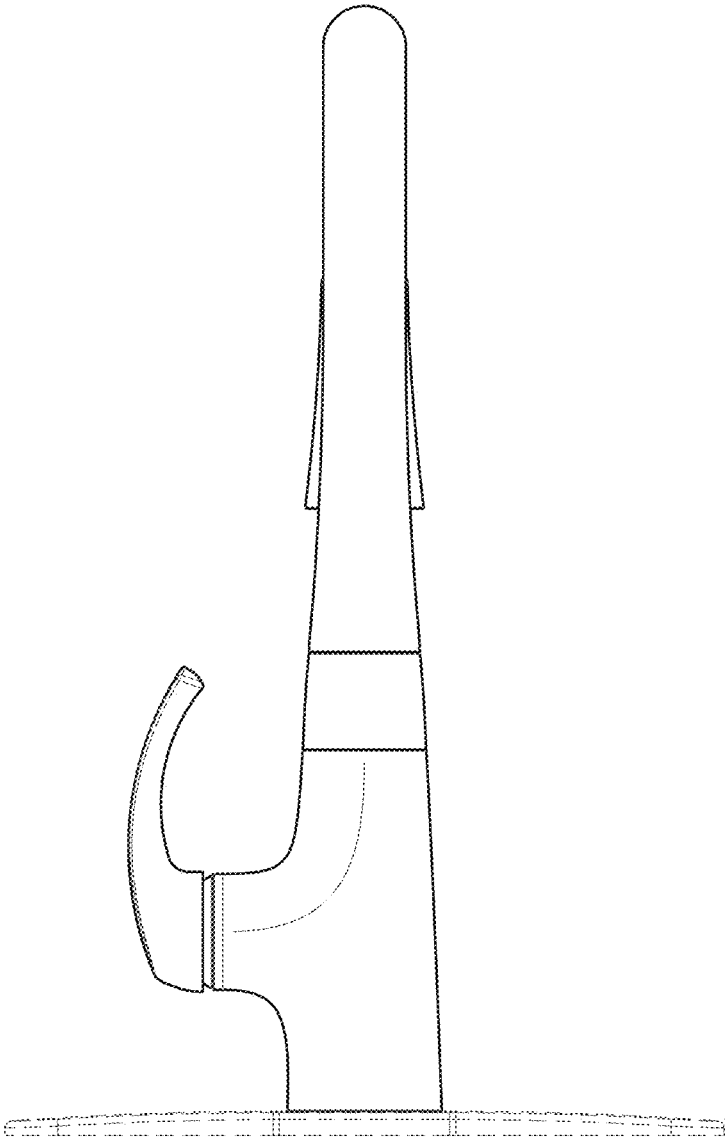


FIG. 3

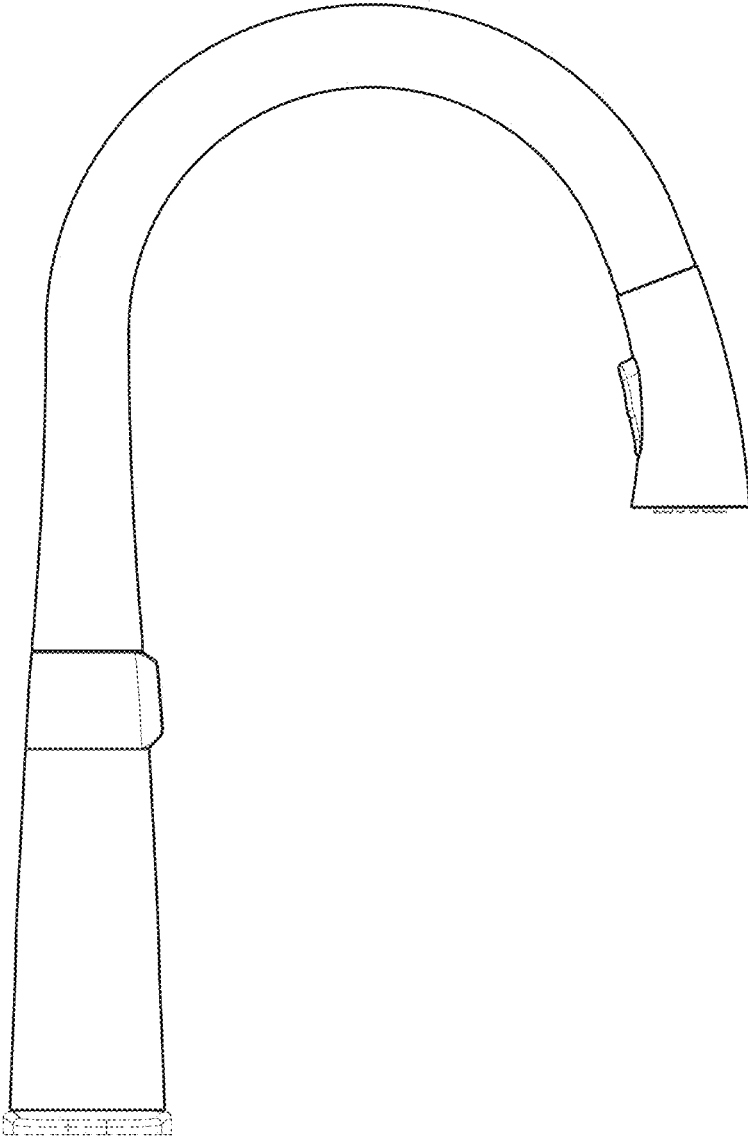


FIG. 4

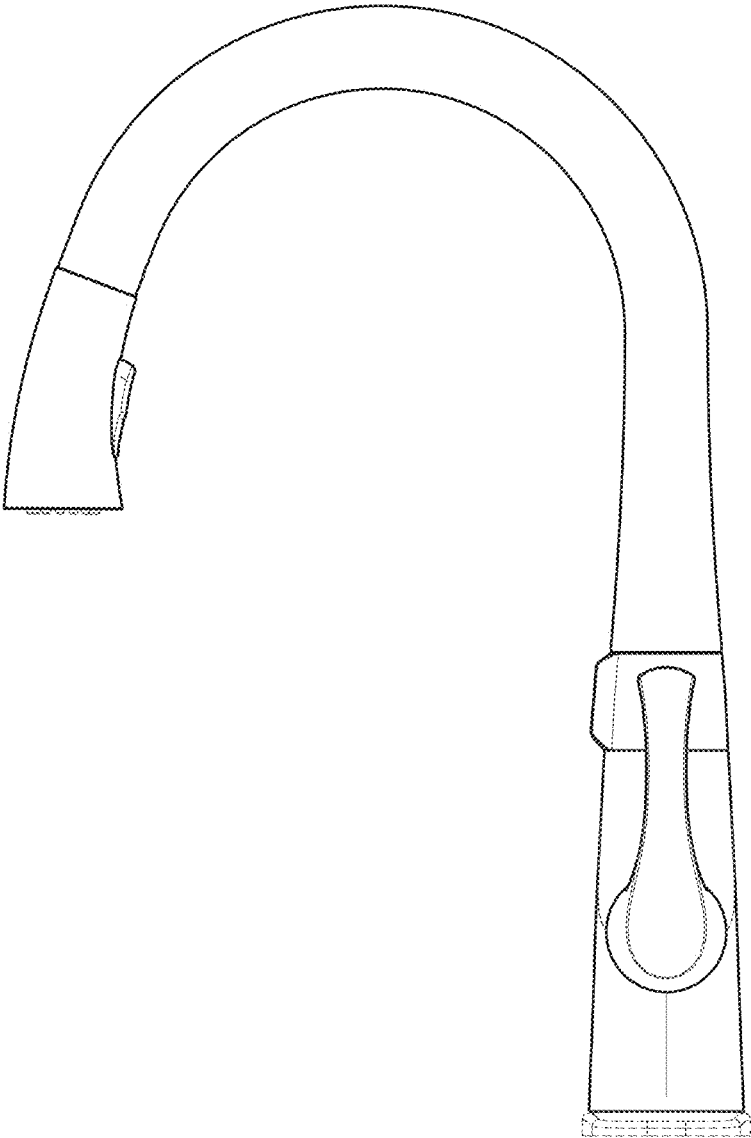


FIG. 5

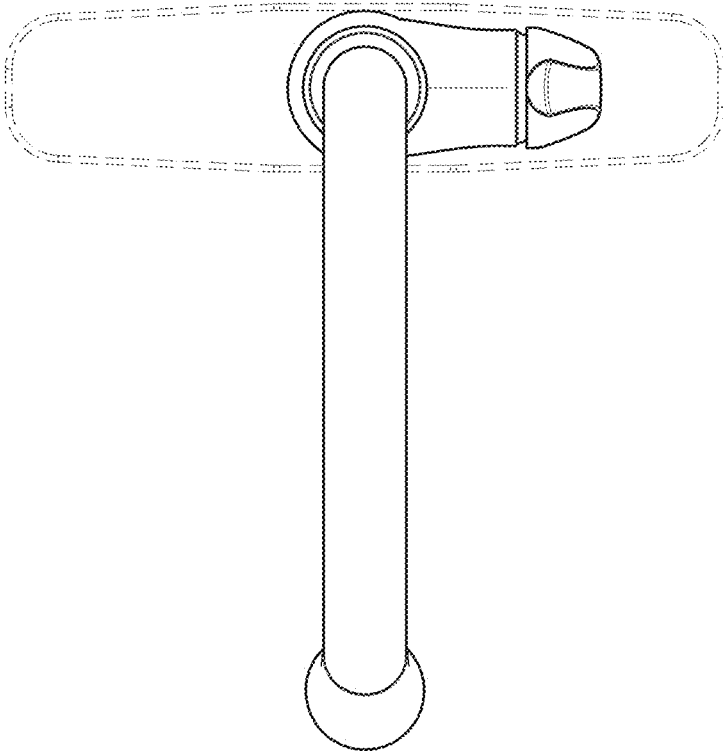


FIG. 6

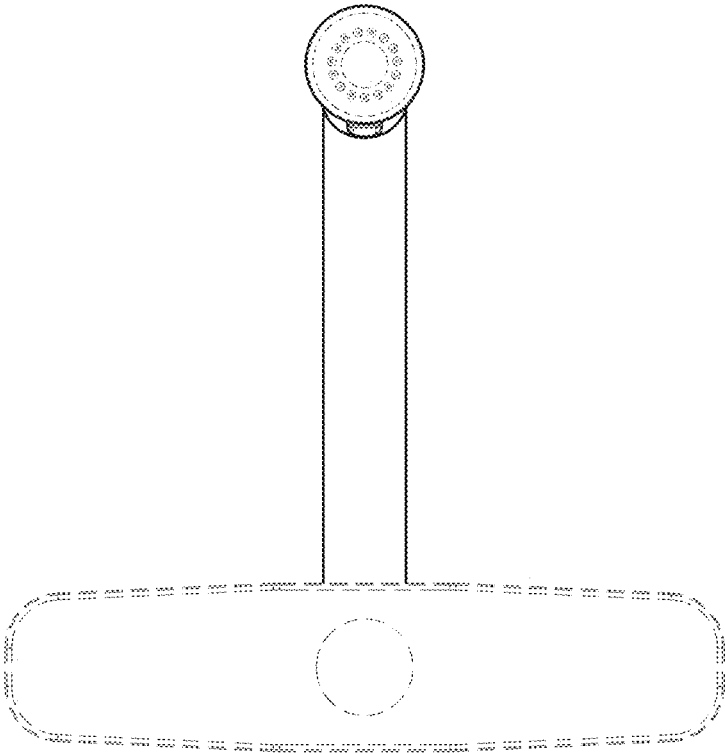


FIG. 7