



(12) **United States Design Patent**
Zeng

(10) **Patent No.:** **US D916,352 S**
(45) **Date of Patent:** **** Apr. 13, 2021**

(54) **LIGHT**

(71) Applicant: **Hongbo Zeng**, Changde (CN)

(72) Inventor: **Hongbo Zeng**, Changde (CN)

(**) Term: **15 Years**

(21) Appl. No.: **29/751,922**

(22) Filed: **Sep. 24, 2020**

(51) **LOC (13) Cl.** **26-03**

(52) **U.S. Cl.**
USPC **D26/86**; D26/87

(58) **Field of Classification Search**
USPC D26/72, 85-87, 92
CPC F21S 8/03; F21S 8/035; F21S 8/036; F21S
8/046

See application file for complete search history.

(56) **References Cited**

U.S. PATENT DOCUMENTS

5,541,819	A *	7/1996	Kwong	F21S 2/005 362/147
D754,906	S *	4/2016	Smith	D26/87
D882,149	S *	4/2020	Lin	D26/87
D889,724	S	7/2020	Richardson et al.		
D893,791	S *	8/2020	Lin	D26/87
D906,577	S *	12/2020	Gardner	D26/87

OTHER PUBLICATIONS

Savoy House Octave 3-Light Bathroom Vanity Light in Polished Chrome SKU: 8-4030-3-11 available at lightsonline.com as early as Feb. 27, 2019. (Year: 2019).*
Tangkula 3 Light Wall Lamp available at amazon.com Mar. 25, 2020. (Year: 2020).*
Feiss VS24304SN Mercer Glass Wall Vanity Bath Light available at amazon.com Jan. 15, 2018. (Year: 2018).*

* cited by examiner

Primary Examiner — Clare E Heflin

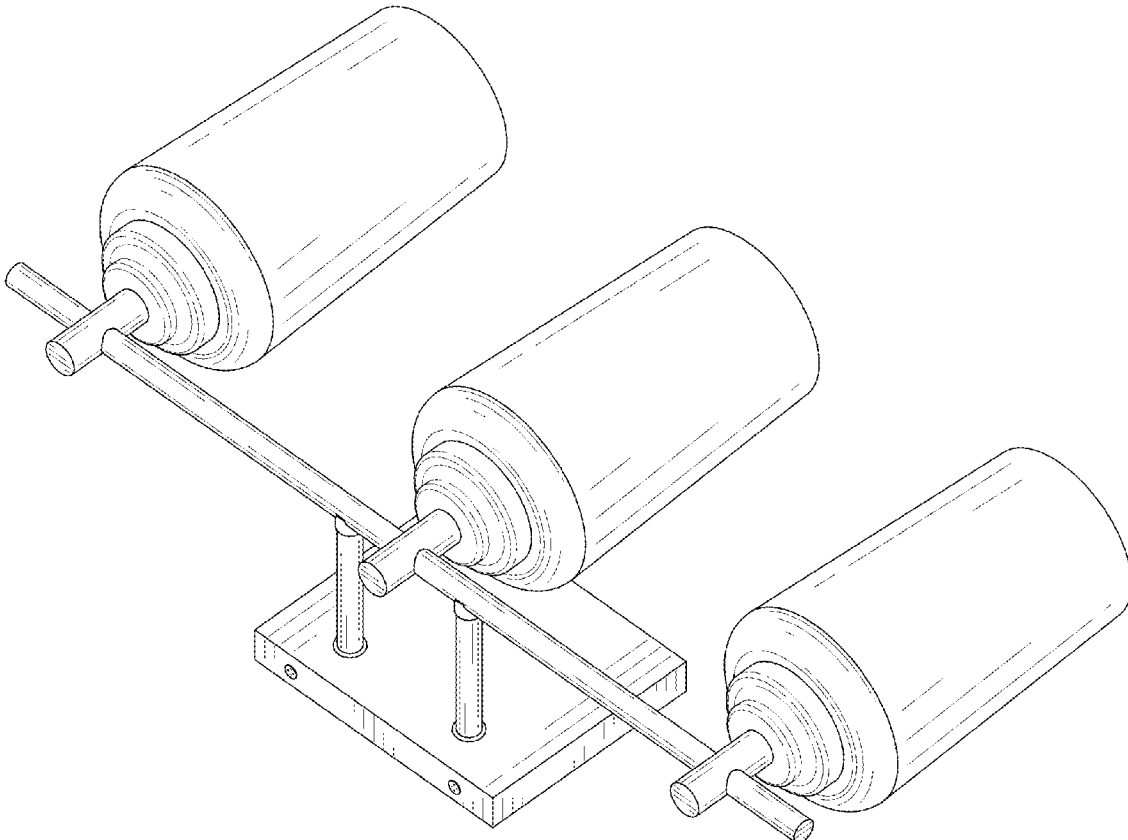
(57) **CLAIM**

The ornamental design for a light, as shown and described.

DESCRIPTION

FIG. 1 is a top rear perspective view of the light showing my new design;
FIG. 2 is a bottom front perspective view thereof;
FIG. 3 is a top plan view thereof;
FIG. 4 is a bottom plan view thereof;
FIG. 5 is a left side elevational view thereof;
FIG. 6 is a right side elevational view thereof;
FIG. 7 is a rear elevational view thereof; and,
FIG. 8 is a front elevational view thereof.
The broken lines in the figures illustrate portions of the article that form no part of the claimed design.

1 Claim, 8 Drawing Sheets



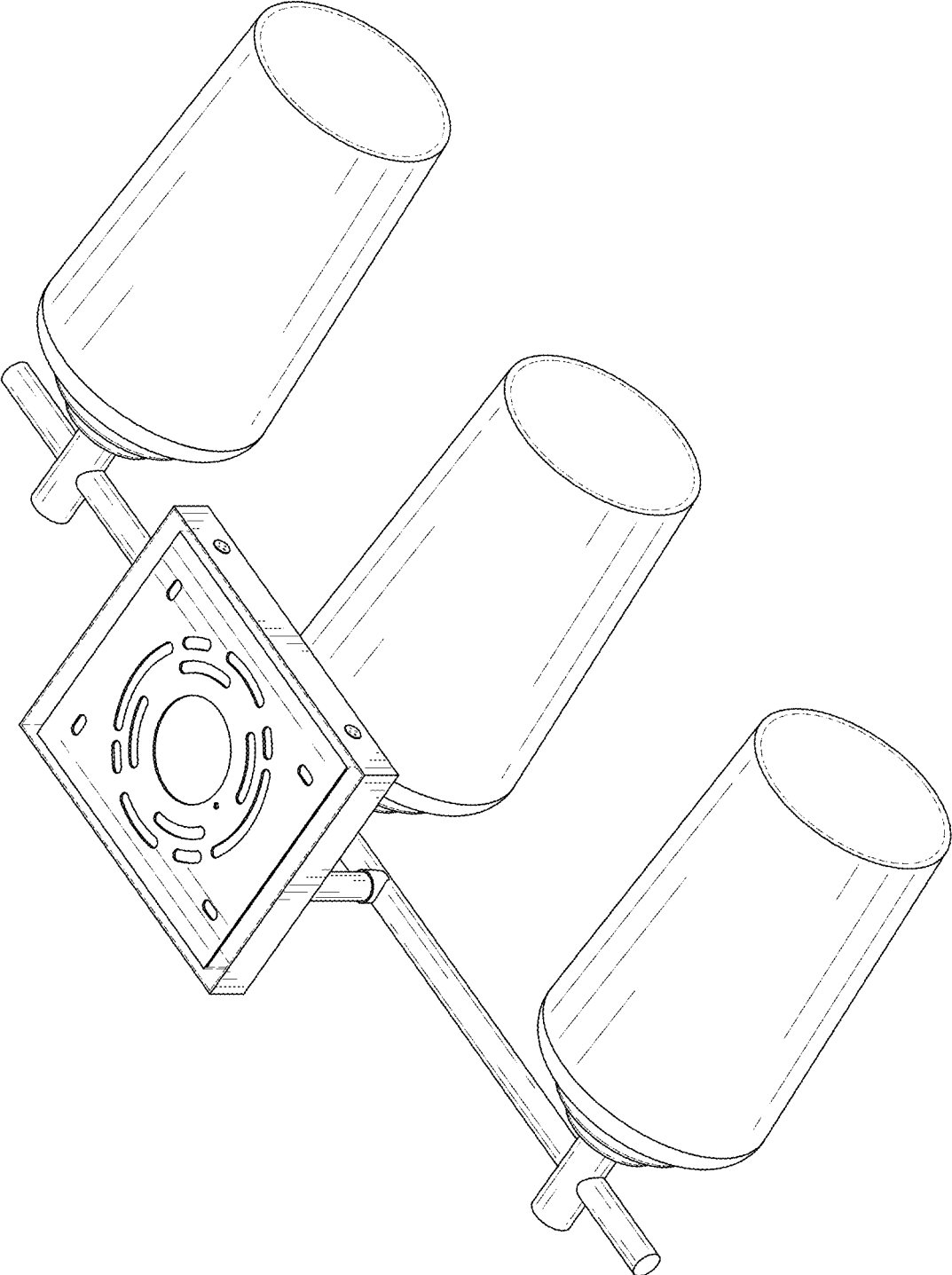


FIG. 1

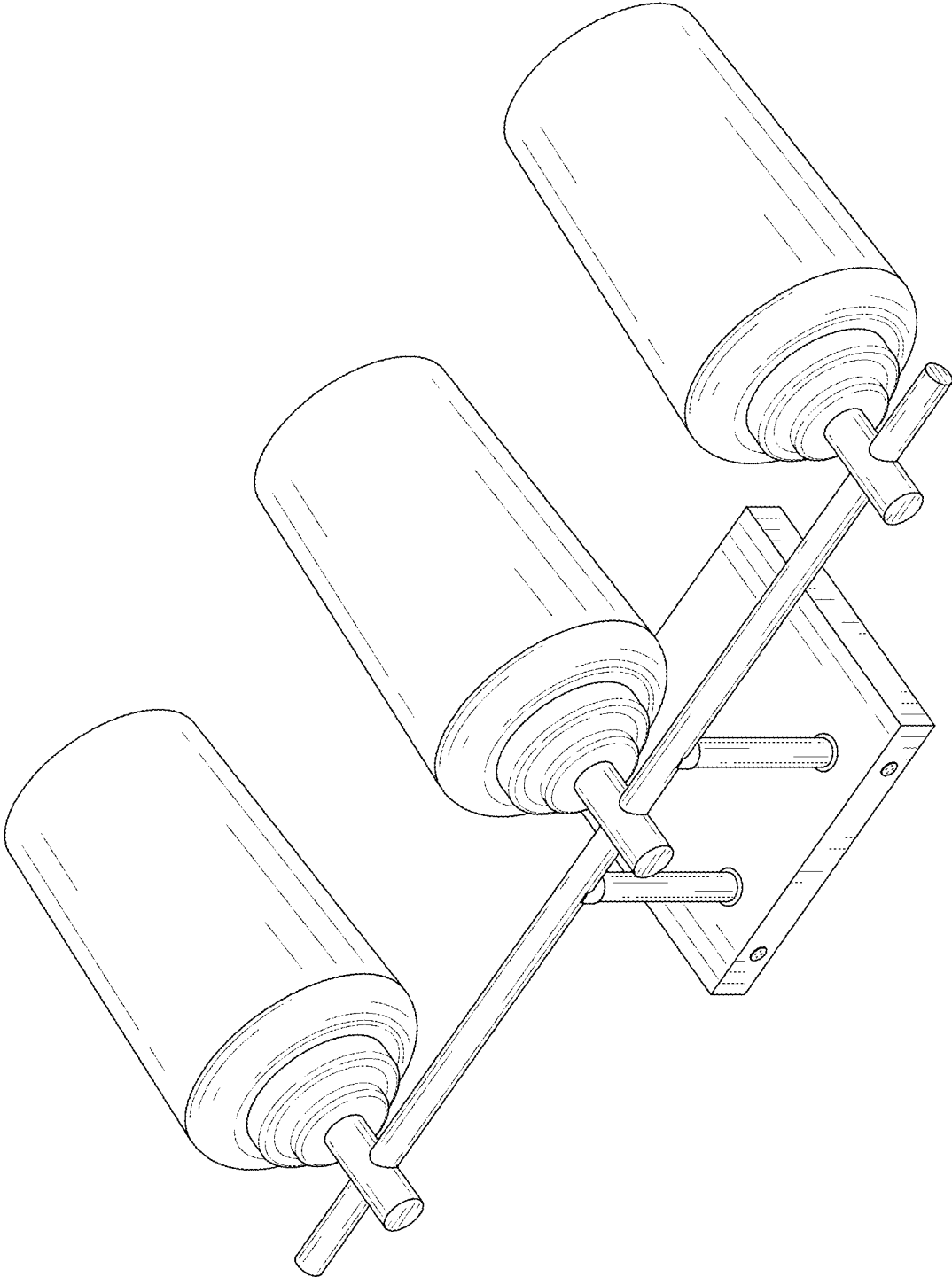


FIG. 2

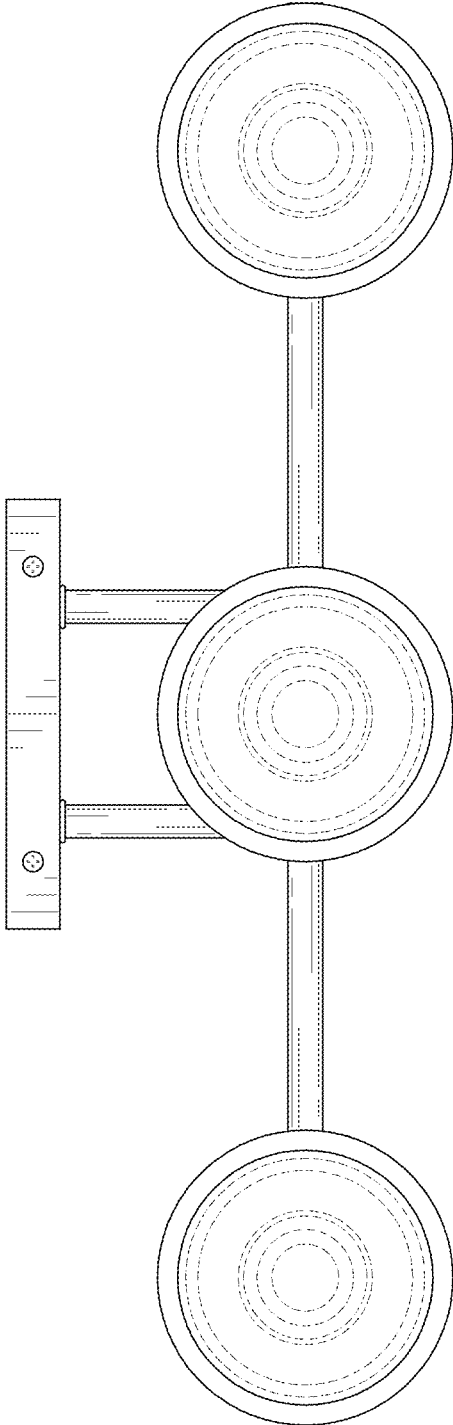


FIG. 3

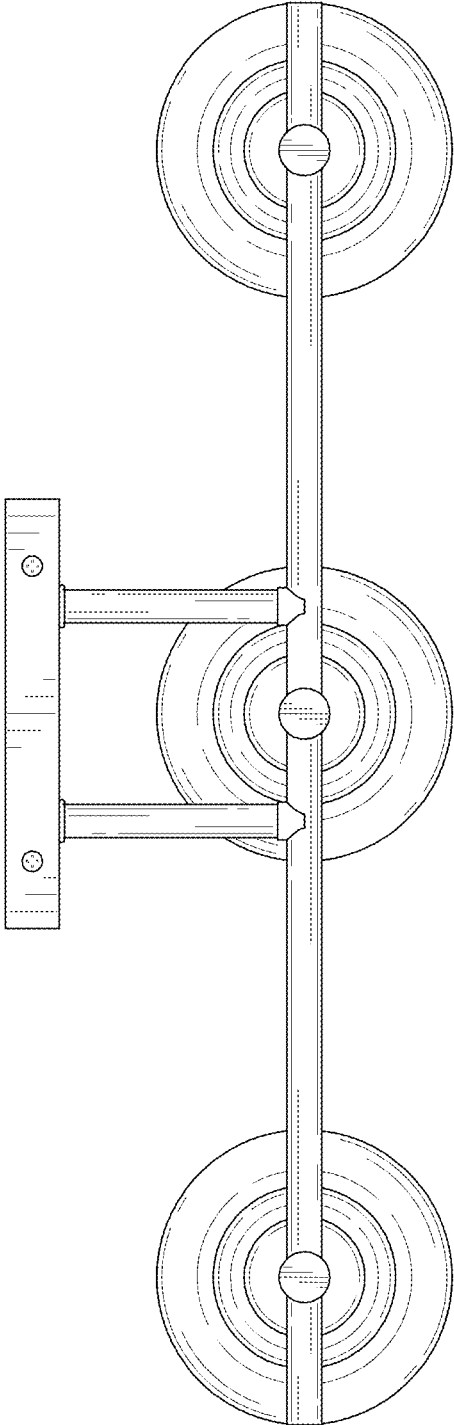


FIG. 4

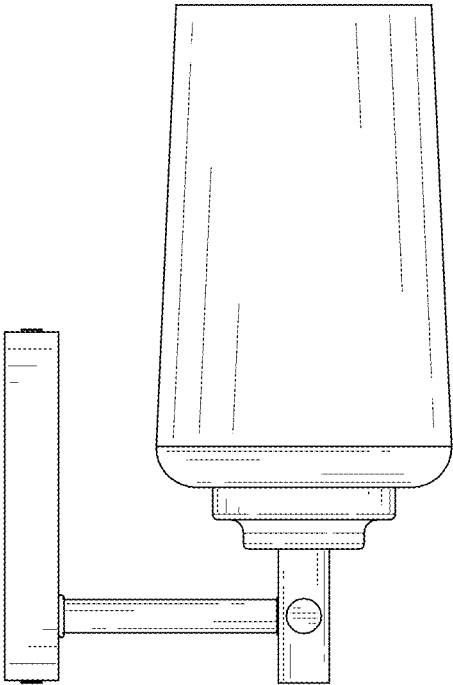


FIG. 5

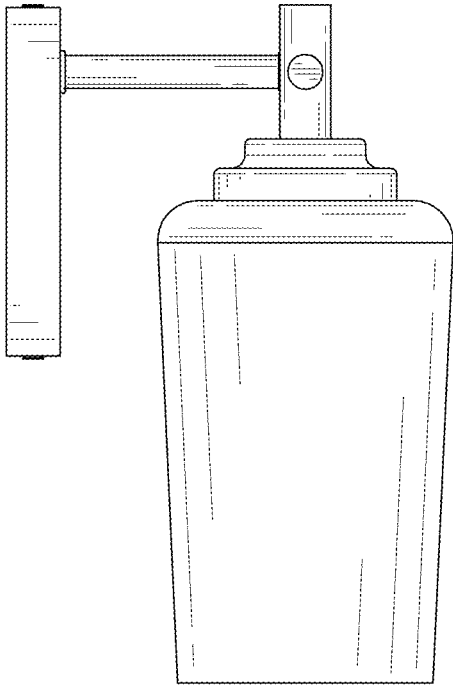


FIG. 6

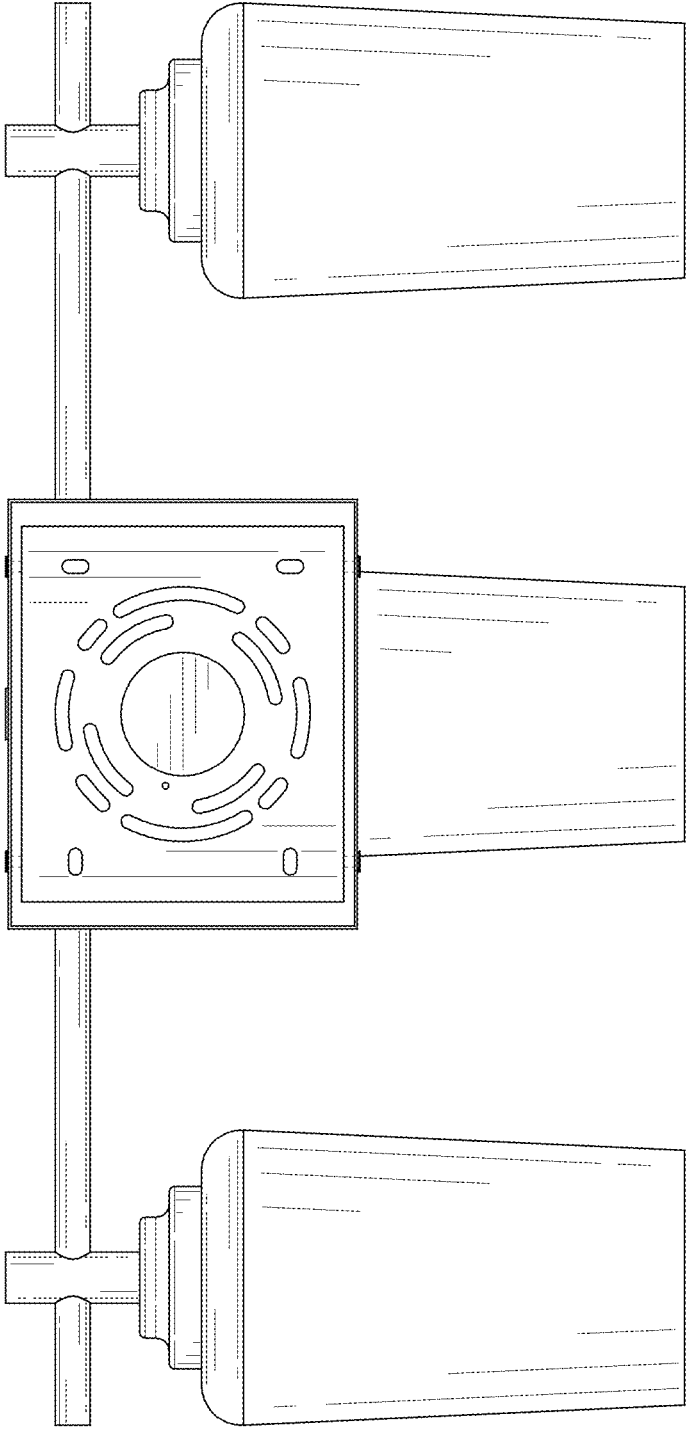


FIG. 7

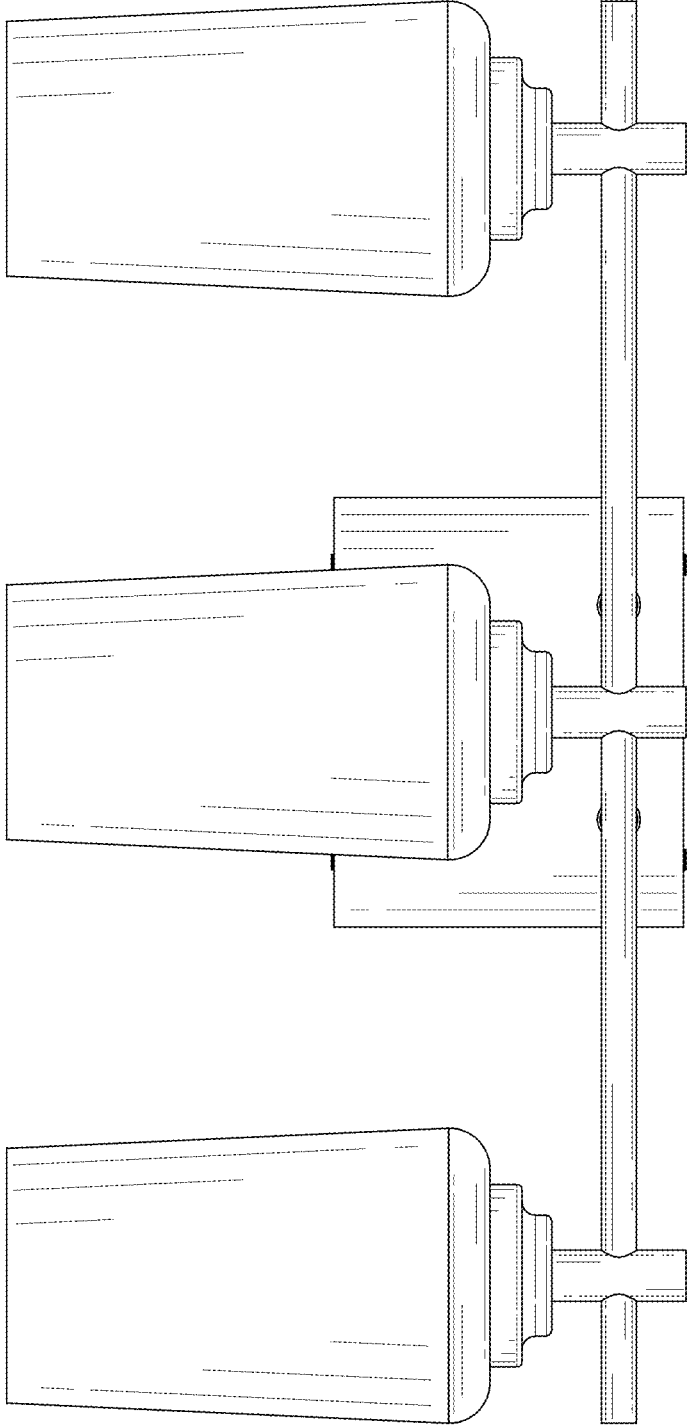


FIG. 8