



US00D931801S

(12) **United States Design Patent** (10) **Patent No.:** **US D931,801 S**
Timm (45) **Date of Patent:** **** Sep. 28, 2021**

(54) **BATTERY**
(71) Applicant: **Würth International AG**, Chur (CH)
(72) Inventor: **Felix Timm**, Dornstadt (DE)
(73) Assignee: **WÜRTH INTERNATIONAL AG**,
Chur (CH)
(**) Term: **15 Years**
(21) Appl. No.: **29/739,566**
(22) Filed: **Jun. 26, 2020**

D819,562 S * 6/2018 Waldron D13/103
D826,149 S * 8/2018 Cooper D13/103
D826,150 S * 8/2018 Cayon D13/103
D883,918 S * 5/2020 Roberts D13/103
D884,601 S * 5/2020 Zhou D13/103
D893,409 S * 8/2020 Stray D13/103
D893,413 S * 8/2020 Grulke D13/103
D894,120 S * 8/2020 Timm D13/103
D898,662 S * 10/2020 Waldron D13/103
D911,268 S * 2/2021 Matteo D13/103
D911,269 S * 2/2021 Matteo D13/103
D912,615 S * 3/2021 Li D13/103
D922,939 S * 6/2021 Ye D13/103
D922,940 S * 6/2021 Ye D13/103
D924,793 S * 7/2021 Qiu D13/103
D924,794 S * 7/2021 Kuang D13/103

(Continued)

Related U.S. Application Data

(62) Division of application No. 35/507,043, filed on Nov. 21, 2018 (U.S. filing date under 35 U.S.C. 384), and having an international filing date of Nov. 21, 2018, now Pat. No. Des. 894,120.

Foreign Application Priority Data

Oct. 4, 2018 (EM) 005746005

(51) **LOC (13) Cl.** **13-02**
(52) **U.S. Cl.**

USPC **D13/103**

(58) **Field of Classification Search**

USPC D13/103, 107, 102, 119; D30/199
CPC H01M 10/4207
See application file for complete search history.

(56) **References Cited**

U.S. PATENT DOCUMENTS

D597,932 S * 8/2009 Aglassinger D13/103
D640,196 S * 6/2011 Shuang D13/119
D640,628 S * 6/2011 Lopano D13/103
D780,688 S * 3/2017 Elder D13/103
D797,661 S * 9/2017 Elder D13/103
D801,919 S * 11/2017 Elder D13/103

OTHER PUBLICATIONS

“Boschs BAT610 18v cordless drill” reference dated Jul. 16, 2021 found on the internet by RMS at: https://www.alibaba.com/product-detail/Boschs-BAT610-18v-cordless-drill-li_60843577608.html.*

Primary Examiner — Rhea Shields

(74) *Attorney, Agent, or Firm* — Lucas & Mercanti, LLP; Klaus P. Stoffel

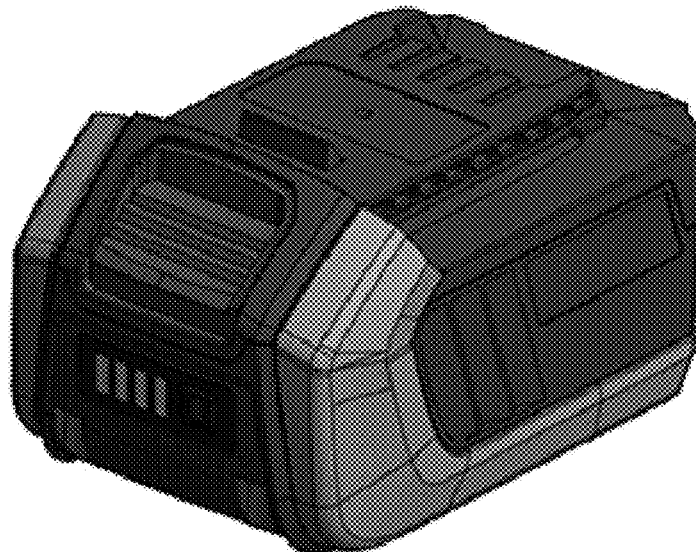
(57) **CLAIM**

The ornamental design for a battery, as shown and described.

DESCRIPTION

FIG. 1 is a front, right side perspective view of the battery of the present invention;
FIG. 2 is a top view thereof;
FIG. 3 is a right side view thereof;
FIG. 4 is a bottom view thereof;
FIG. 5 is a rear view thereof;
FIG. 6 is a front view thereof;
FIG. 7 is a left side view thereof; and,
FIG. 8 is a right side perspective view thereof.

1 Claim, 4 Drawing Sheets



(56)

References Cited

U.S. PATENT DOCUMENTS

D924,795 S * 7/2021 Zhong D13/103
D925,143 S * 7/2021 Jia D30/199
2020/0287176 A1* 9/2020 Lu H01M 10/4207

* cited by examiner

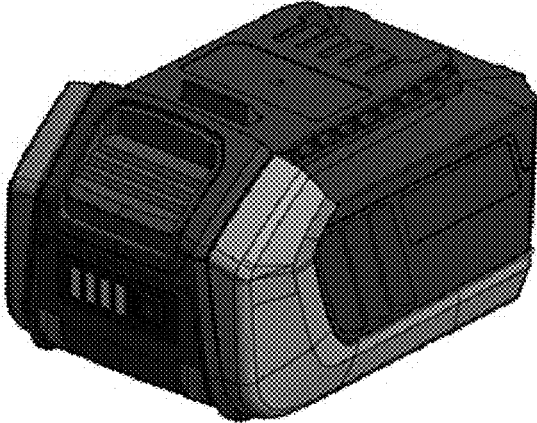


FIG. 1

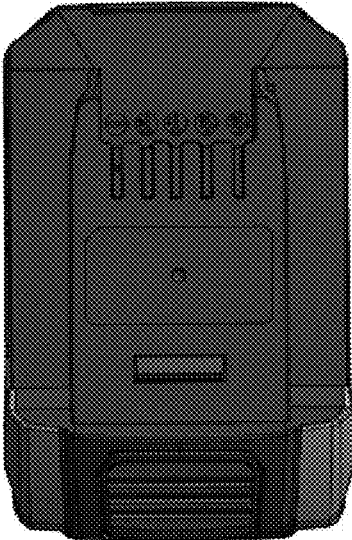


FIG. 2

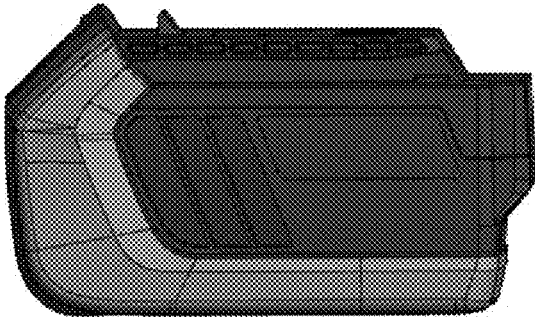


FIG. 3

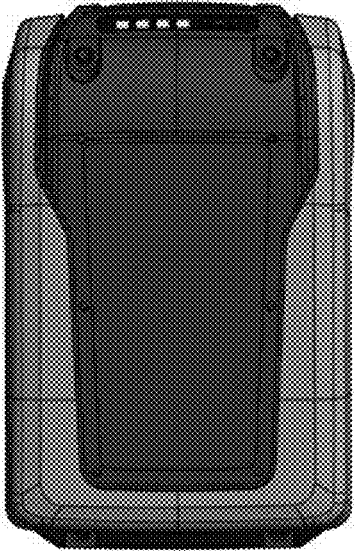


FIG. 4

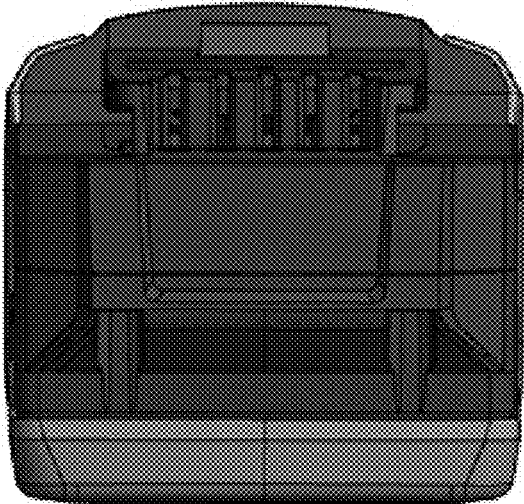


FIG. 5

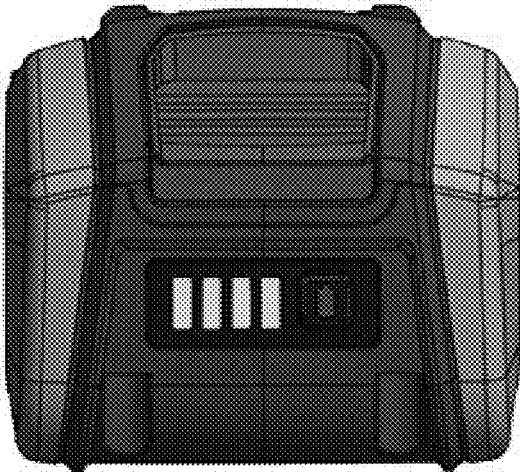


FIG. 6

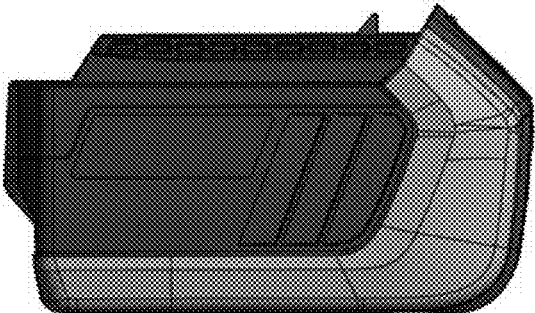


FIG. 7

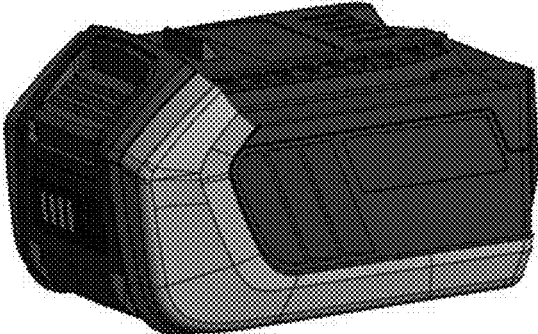


FIG. 8