



(12) **United States Design Patent**
Rosandick et al.

(10) **Patent No.:** **US D810,980 S**
(45) **Date of Patent:** **** Feb. 20, 2018**

- (54) **FLASHLIGHT**
- (71) Applicant: **Spectrum Brands, Inc.**, Middleton, WI (US)
- (72) Inventors: **Alexander I. Rosandick**, Madison, WI (US); **Seung Il Kim**, Madison, WI (US)
- (73) Assignee: **Spectrum Brands, Inc.**, Middleton, WI (US)
- (**) Term: **15 Years**
- (21) Appl. No.: **29/563,249**

D375,811 S	11/1996	Hon	
D378,434 S *	3/1997	Petterson	D26/44
D404,840 S	1/1999	Van Deursen et al.	
D428,506 S	7/2000	Garrity et al.	
D429,015 S	8/2000	Garrity et al.	
D441,889 S *	5/2001	Austin	D26/63
D456,544 S	4/2002	Harris et al.	
D466,392 S *	12/2002	Halajko	D8/306
D472,339 S *	3/2003	Russello	D26/63
D479,015 S *	8/2003	Tang	D26/63
D513,811 S	1/2006	Lai	
D534,288 S	12/2006	Krieger et al.	
D536,464 S	2/2007	Kingston et al.	

(Continued)

- (22) Filed: **May 3, 2016**
- (51) **LOC (11) Cl.** **26-02**
- (52) **U.S. Cl.**
USPC **D26/44**
- (58) **Field of Classification Search**
USPC D26/43, 44, 45, 48, 49, 50, 51, 62, 63, D26/71, 89; 362/199, 296.07, 311.09, 362/197, 202, 285, 287, 296.08, 311.07, 362/311.08; D8/25, 56, 306
CPC F21V 21/30; F21V 17/107; F21L 26/00; F21L 23/00; F21L 17/00; F21L 2005/00
See application file for complete search history.

FOREIGN PATENT DOCUMENTS

EM	001035828-0001	11/2008
EM	001035828-0002	11/2008

Primary Examiner — Laikya G Rogers
Assistant Examiner — Altaira J Swangin
(74) *Attorney, Agent, or Firm* — Banner & Witcoff, Ltd.

(57) **CLAIM**

The ornamental design for a flashlight, as shown and described.

(56) **References Cited**

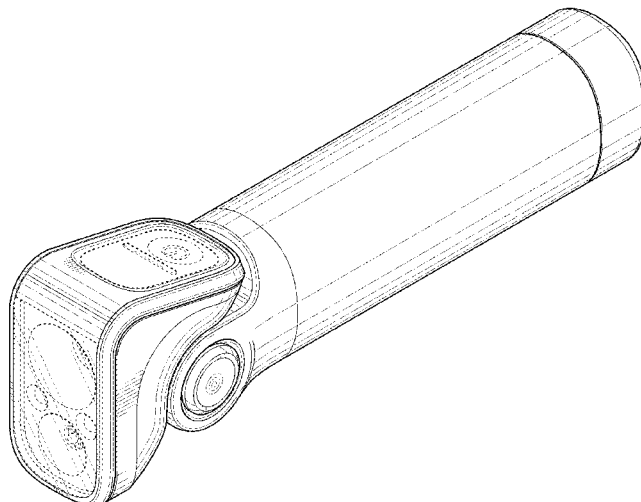
U.S. PATENT DOCUMENTS

1,453,607 A *	5/1923	Saucier	B25B 13/465 81/124.3
D119,792 S *	4/1940	Pieper	D26/63
D130,258 S *	11/1941	Tucker	D16/225
2,798,404 A *	7/1957	Schaefer	F16B 37/16 16/110.1
D201,038 S *	5/1965	Sullivan	D26/61
D212,498 S *	10/1968	Collings	D26/44
D241,972 S *	10/1976	Gilbert	D26/44
D254,094 S *	1/1980	Jaksich	D26/63
4,739,457 A *	4/1988	Orr	F21L 15/02 362/190
D333,008 S *	2/1993	Frost	D26/63

DESCRIPTION

FIG. 1 is a front perspective view of a flashlight showing our new design;
FIG. 2 is a right side view thereof;
FIG. 3 is a left side view thereof;
FIG. 4 is a top view thereof;
FIG. 5 is a bottom view thereof;
FIG. 6 is a front view thereof; and,
FIG. 7 is a rear view thereof.
The broken lines showing various regions of the flashlight represent unclaimed subject matter and form no part of the claimed design.

1 Claim, 7 Drawing Sheets



(56)

References Cited

U.S. PATENT DOCUMENTS

D541,463 S * 4/2007 Tortel D26/63
D552,279 S 10/2007 Osiecki et al.
D552,280 S 10/2007 Osiecki et al.
D563,005 S 2/2008 Oles et al.
D565,223 S * 3/2008 Guercio D26/63
D586,026 S * 2/2009 Hanson D26/61
D597,690 S 8/2009 Yamamoto
D605,795 S 12/2009 Baker et al.
D607,591 S 1/2010 Rivera et al.
D648,478 S * 11/2011 Yu D26/118
D658,326 S * 4/2012 Lai D26/63
D658,800 S * 5/2012 Lai D26/63
D677,412 S 3/2013 Smith
D695,435 S * 12/2013 Pedersen D26/63
D700,985 S * 3/2014 Lindsley D26/63
D702,387 S * 4/2014 Pedersen D26/63
D703,356 S 4/2014 Grandadam
D705,468 S 5/2014 Tompkin
D707,869 S 6/2014 Wu
D736,983 S * 8/2015 Dal Ponte D26/71
D737,490 S 8/2015 Tompkin
D750,303 S 2/2016 Levy et al.
D757,976 S * 5/2016 Eustace D26/63
D757,977 S * 5/2016 Eustace D26/63
9,534,770 B2 * 1/2017 Lin F21V 15/04
9,546,783 B2 * 1/2017 Lo F21S 2/005
D784,599 S * 4/2017 Sibitzky D26/118
9,739,462 B2 * 8/2017 Georgitsis F21V 5/007
9,772,102 B1 * 9/2017 Ferguson F21V 33/0008
2011/0149562 A1 * 6/2011 Spartano F21L 4/027
362/197

* cited by examiner

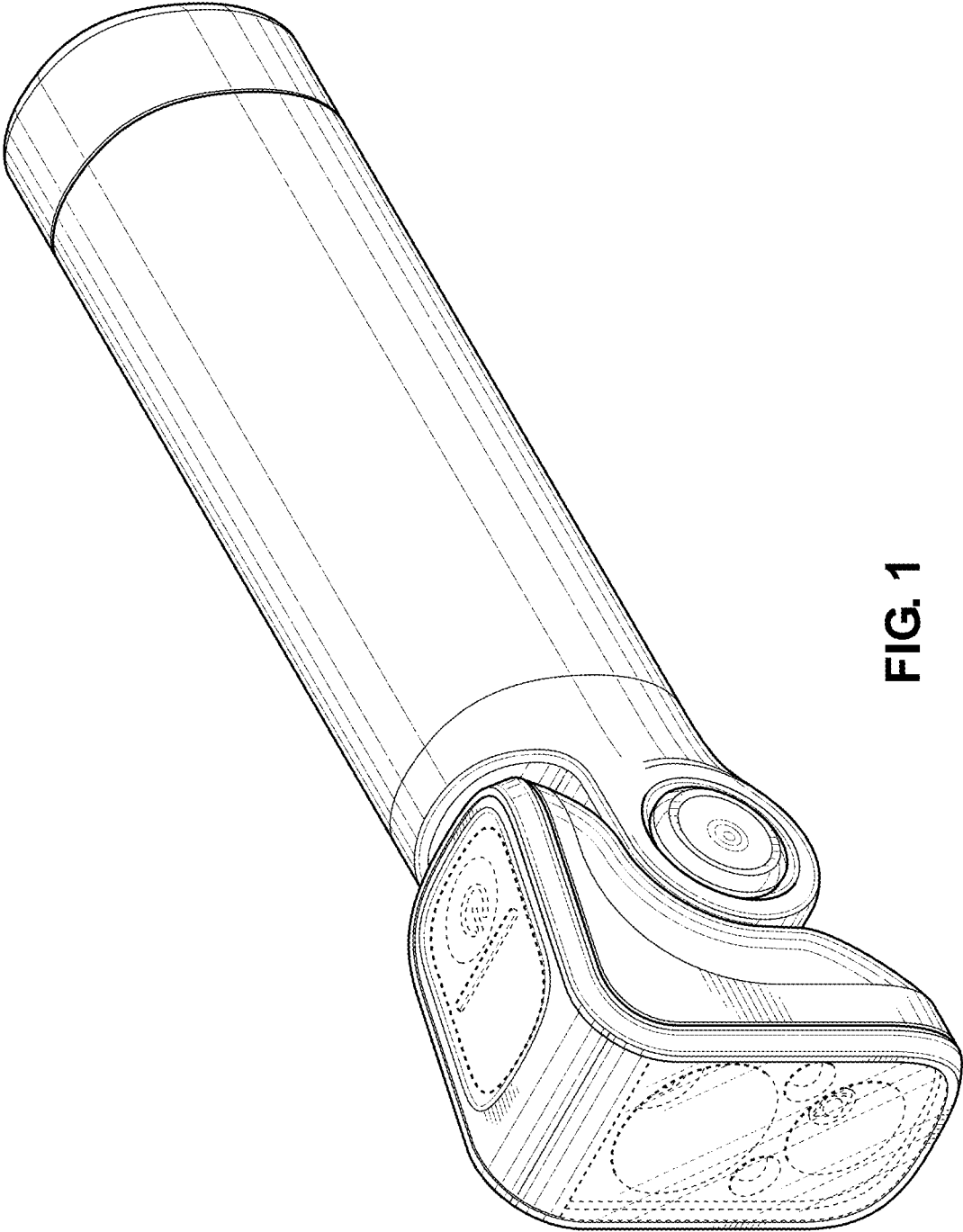


FIG. 1

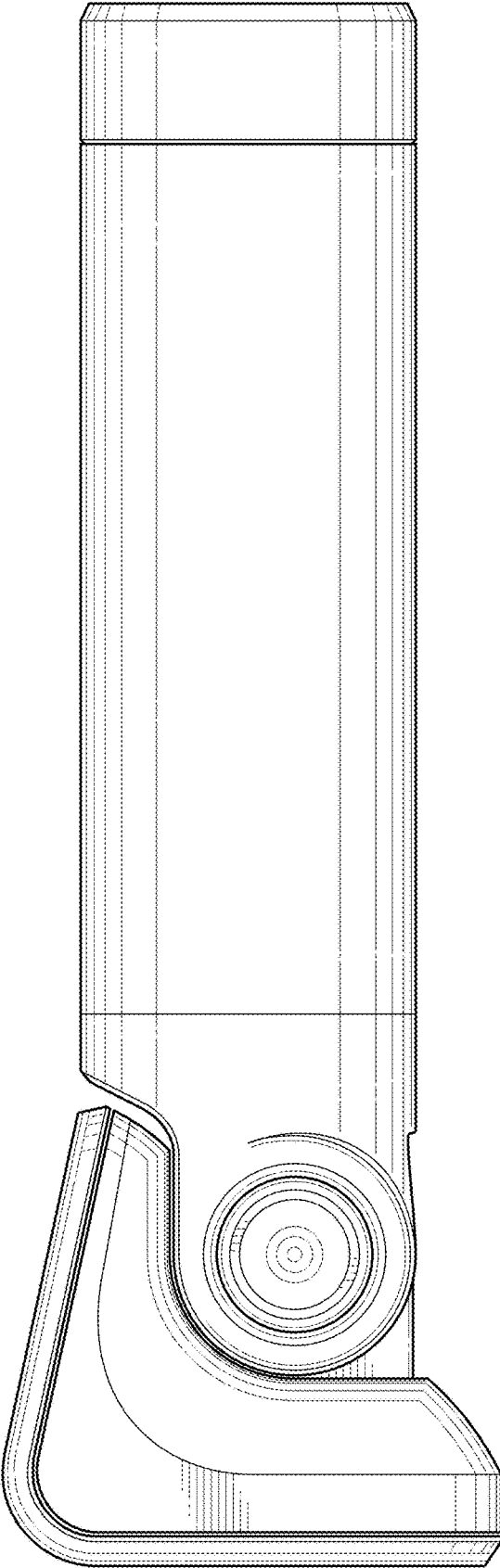


FIG. 2

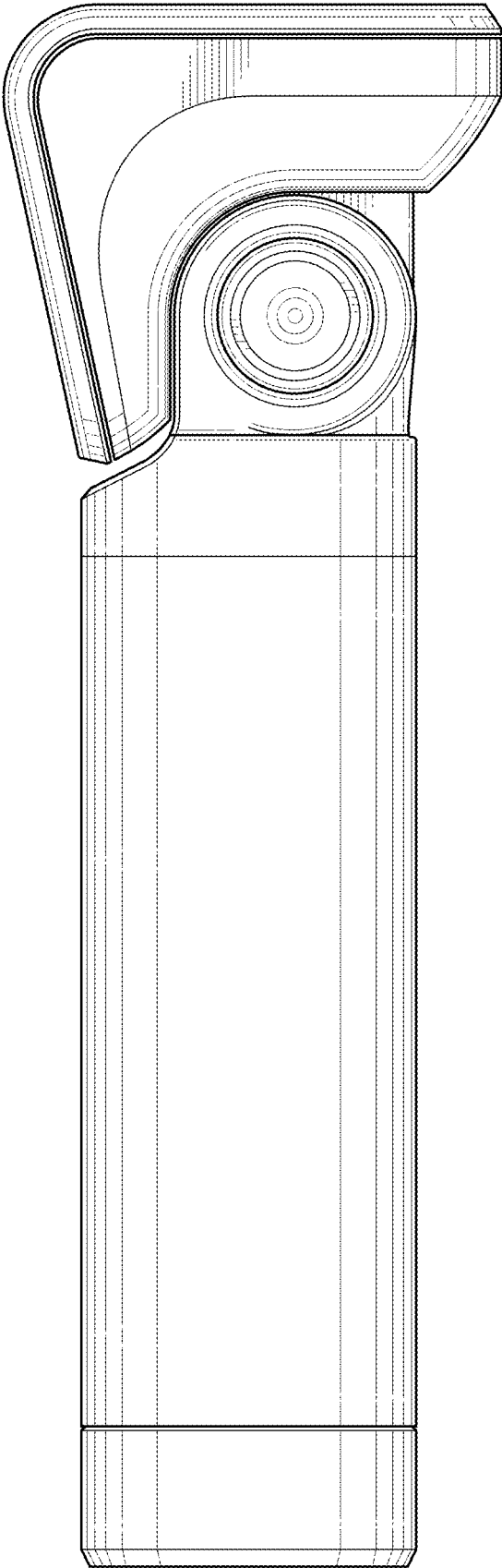


FIG. 3

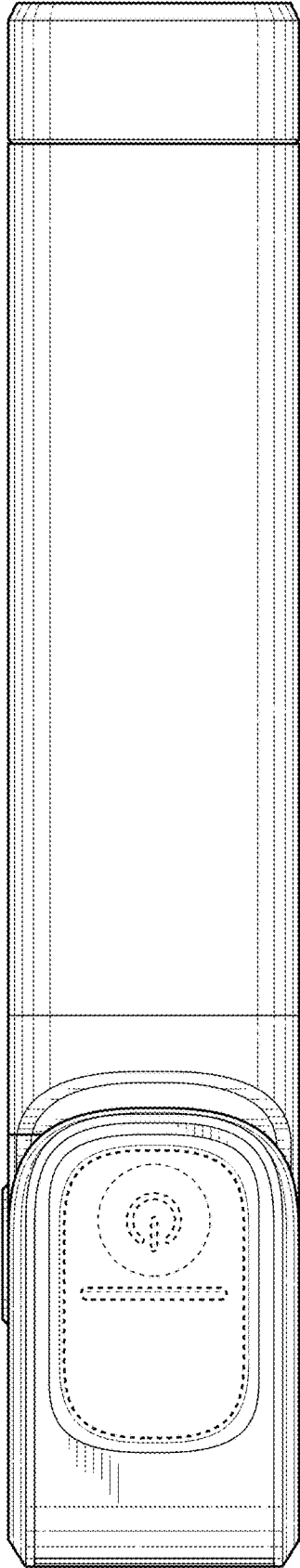


FIG. 4

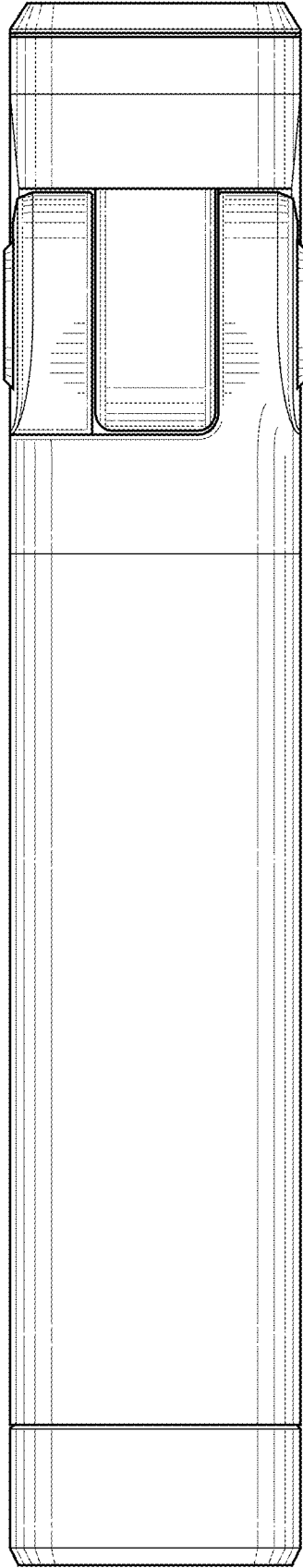


FIG. 5

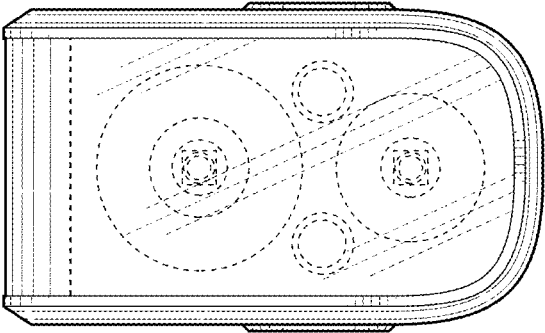


FIG. 6

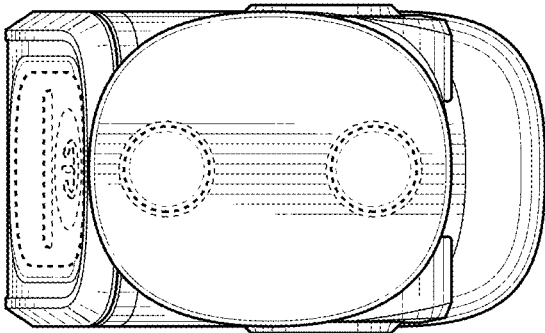


FIG. 7