



US00D693478S

(12) **United States Design Patent**
Irick et al.

(10) **Patent No.:** **US D693,478 S**

(45) **Date of Patent:** **** *Nov. 12, 2013**

(54) **RADIATION SHIELDING RACK**

(75) Inventors: **Jonathan V. Irick**, Portland, OR (US);
Jerrald S. McCall, Six Mile, SC (US);
Virgil Irick, Anderson, SC (US)

(73) Assignees: **American Ceramic Technology, Inc.**,
Poway, CA (US); **Foothills Machinery,**
Inc., Pickens, SC (US)

(*) Notice: This patent is subject to a terminal disclaimer.

(**) Term: **14 Years**

(21) Appl. No.: **29/408,552**

(22) Filed: **Dec. 14, 2011**

(51) **LOC (9) Cl.** **24-01**

(52) **U.S. Cl.** **D24/231; D24/158**

(58) **Field of Classification Search**
USPC **D24/158, 224, 227, 231, 232, 209;**
D6/310, 332; D10/47; D29/100;
250/515.1, 217.1, 519.1; 52/36.1, 79.7,
52/239

See application file for complete search history.

(56) **References Cited**

U.S. PATENT DOCUMENTS

4,784,205 A * 11/1988 Johnson et al. 160/351
D315,229 S * 3/1991 Shufelt D29/110
D346,081 S * 4/1994 Turner D6/465
7,465,947 B2 * 12/2008 Magram 250/515.1
D629,110 S * 12/2010 Brettle et al. D24/158
8,143,607 B2 * 3/2012 Teodorescu 250/519.1

D669,693 S * 10/2012 Goranson et al. D6/332
2005/0173658 A1 * 8/2005 Lemer 250/515.1
2008/0093568 A1 * 4/2008 Fox et al. 250/515.1
2012/0049093 A1 * 3/2012 Costea 250/515.1

* cited by examiner

Primary Examiner — Anhdao Doan

(74) *Attorney, Agent, or Firm* — John B. Hardaway, III;
Nexsen Pruet, LLC

(57) **CLAIM**

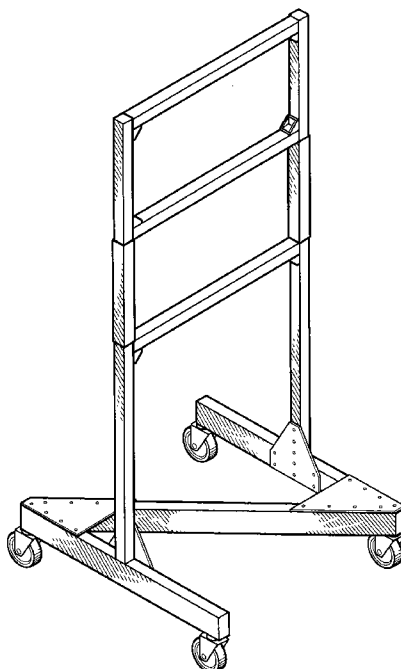
The ornamental design for a radiation shielding rack, as shown and described.

DESCRIPTION

FIG. 1 is a perspective view of a radiation shielding rack showing our new design; FIG. 2 is a front view thereof; FIG. 3 is a rear view thereof; FIG. 4 is a right side view thereof; FIG. 5 is a left side view thereof; FIG. 6 is a top view thereof; FIG. 7 is a bottom view thereof; FIG. 8 is a perspective view of the radiation shielding rack, shown with its environments; FIG. 9 is a front view thereof; FIG. 10 is a rear view thereof; FIG. 11 is a right side view thereof; FIG. 12 is a left side view thereof; FIG. 13 is a top view thereof; and, FIG. 14 is a bottom view thereof.

The broken lines depicting other like racks in FIGS. 8-14 represent environmental subject matters and form no part of the claimed design.

1 Claim, 11 Drawing Sheets



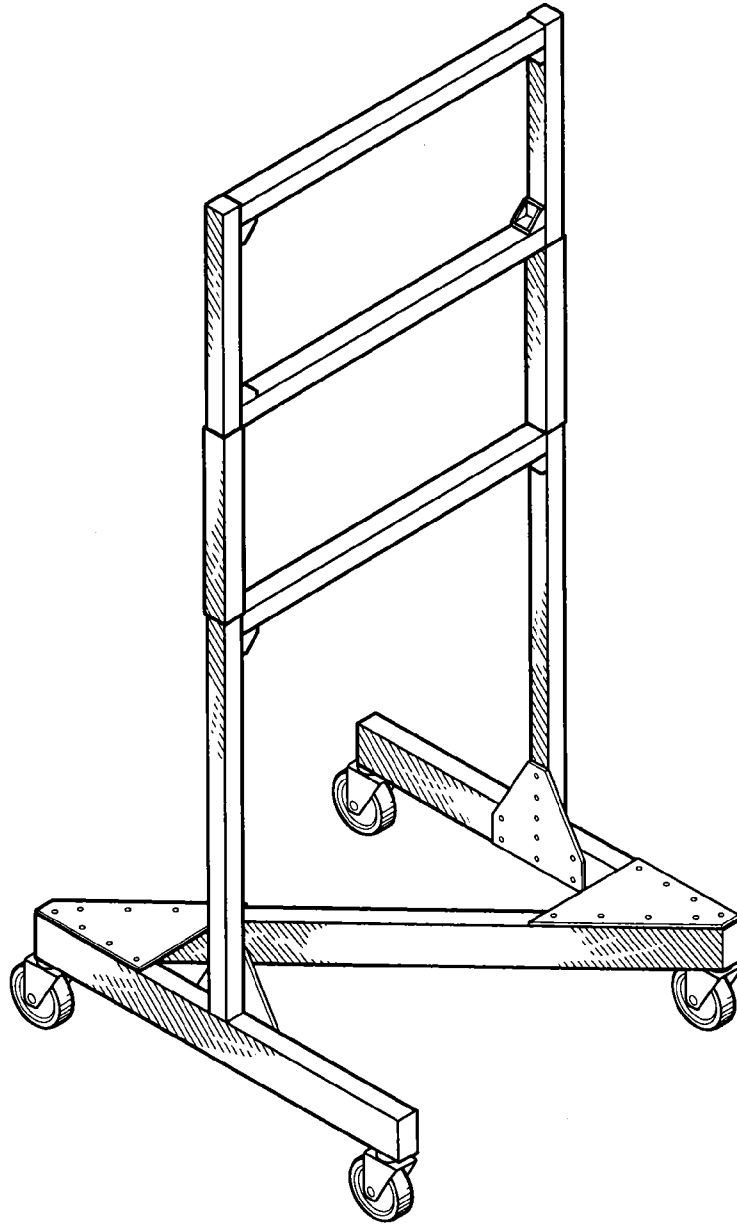


FIG. 1

FIG. 2

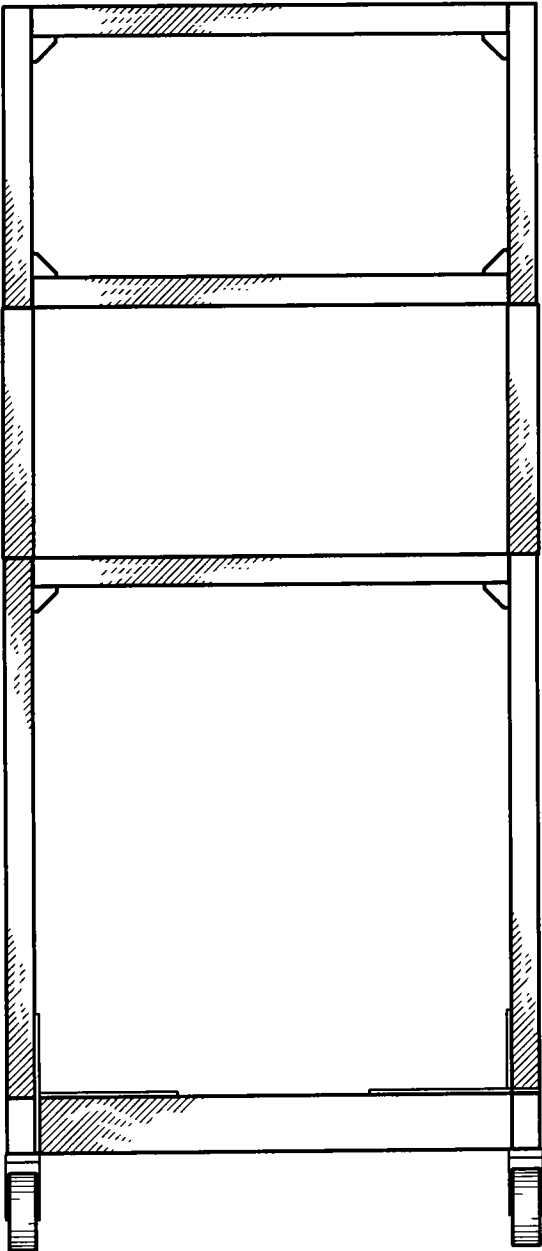
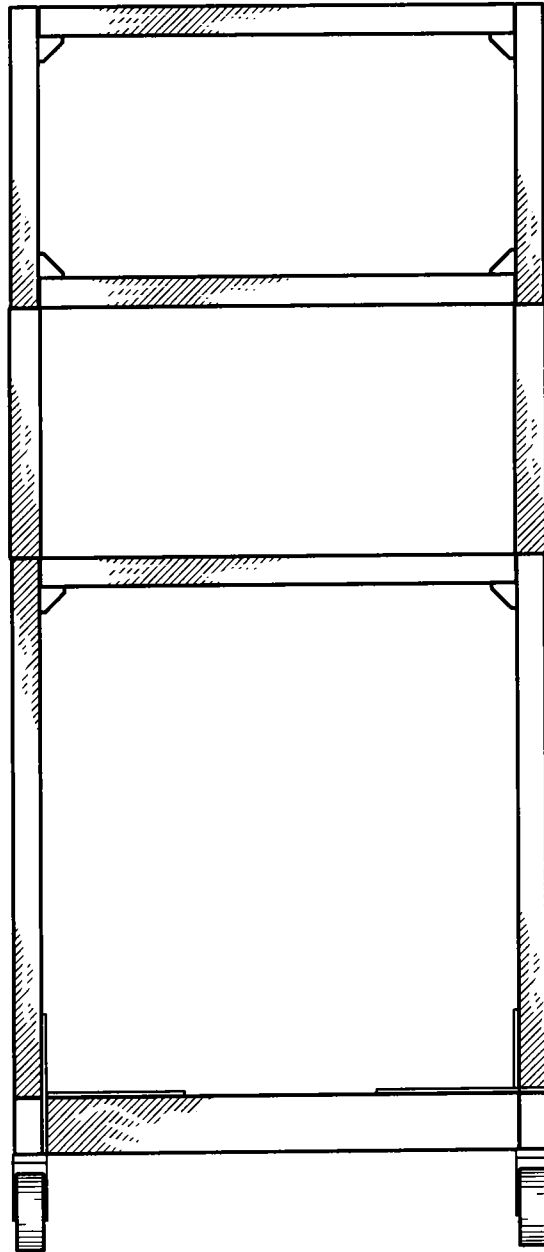
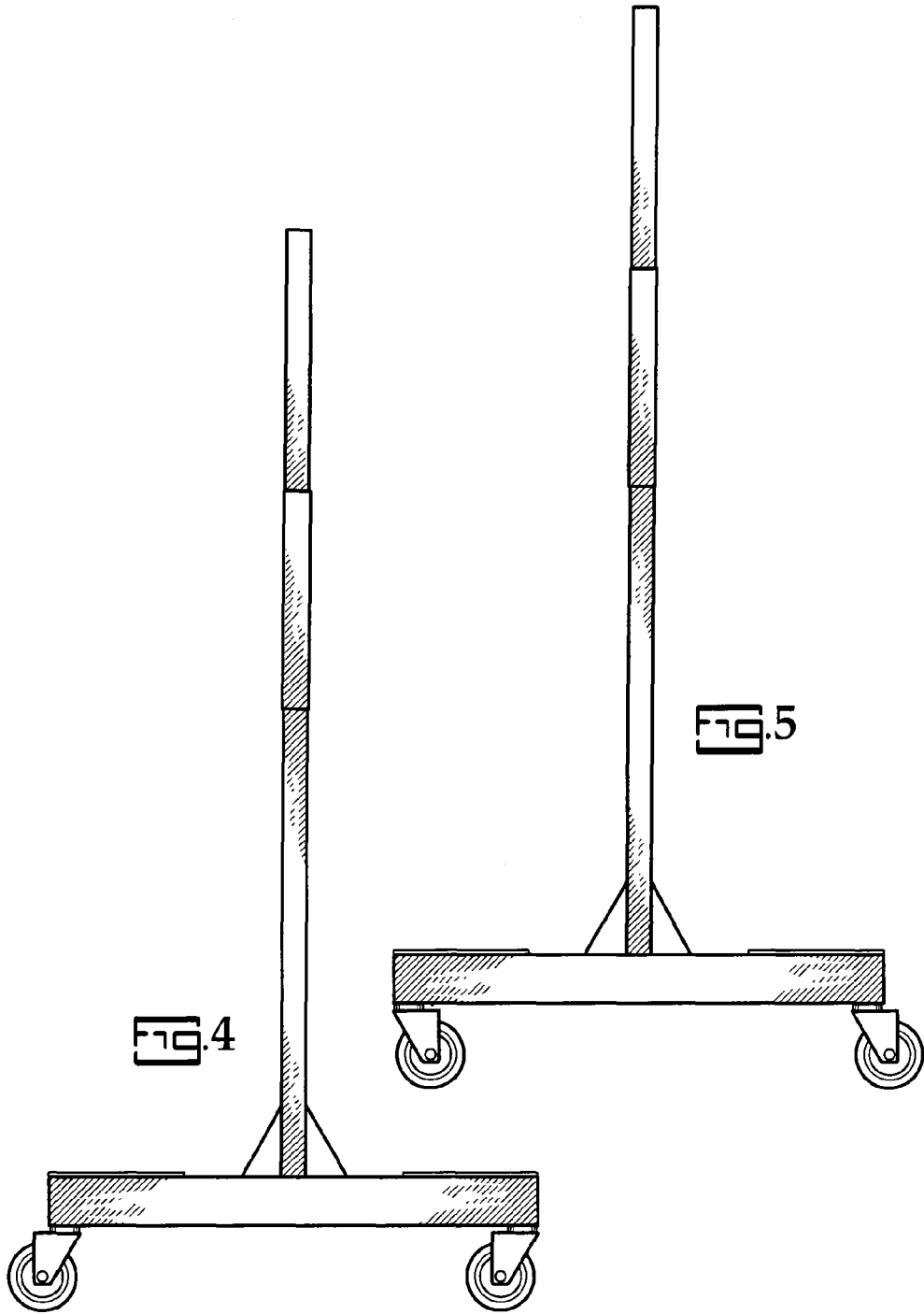


FIG. 3





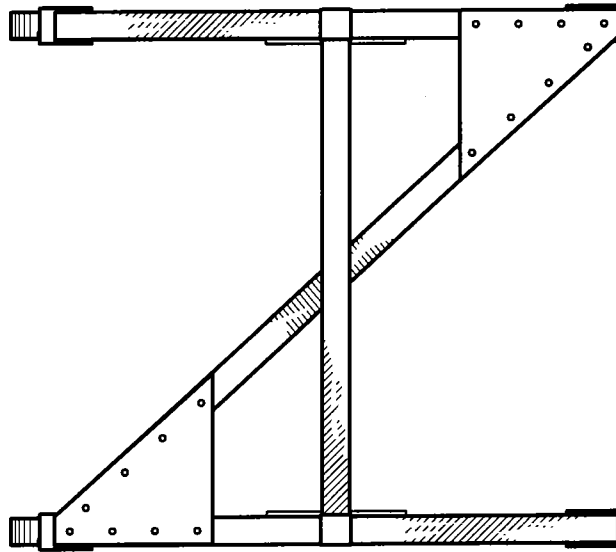


FIG. 6

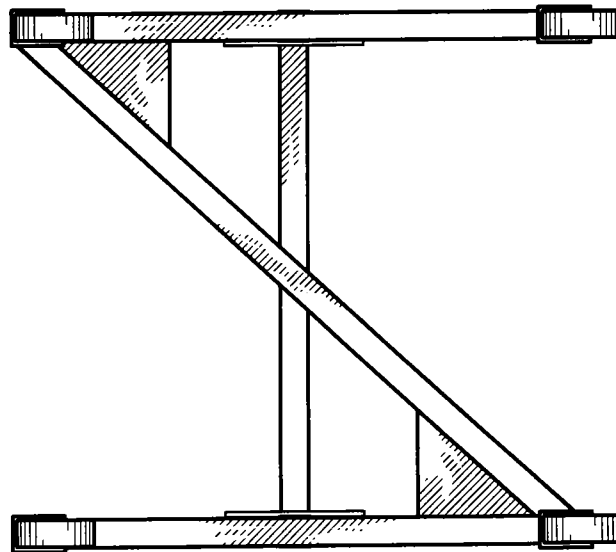


FIG. 7

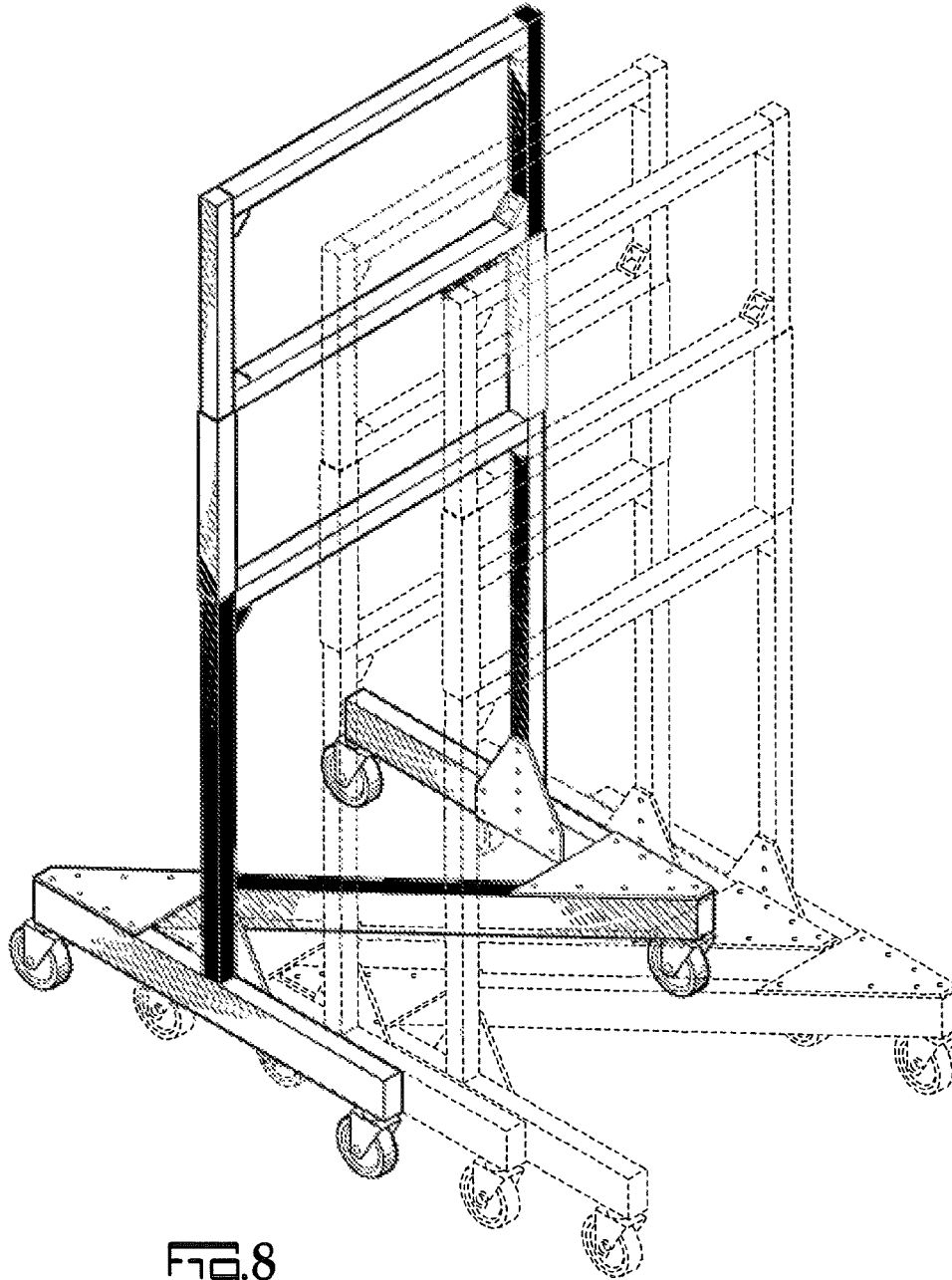


FIG. 8

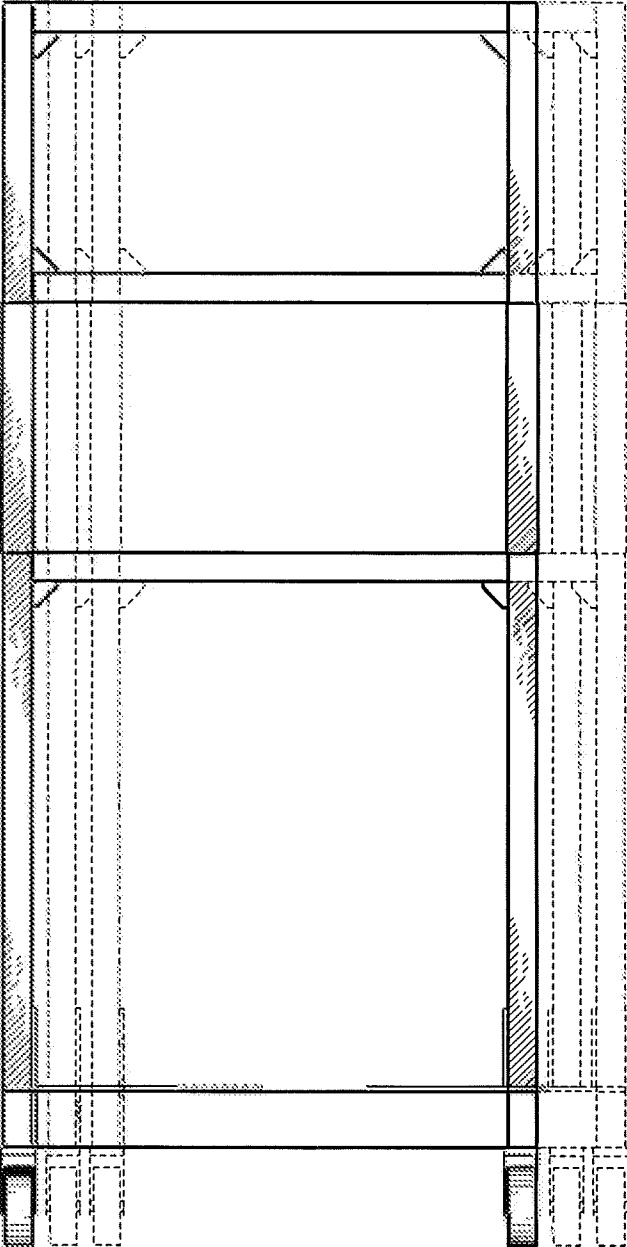


FIG. 9

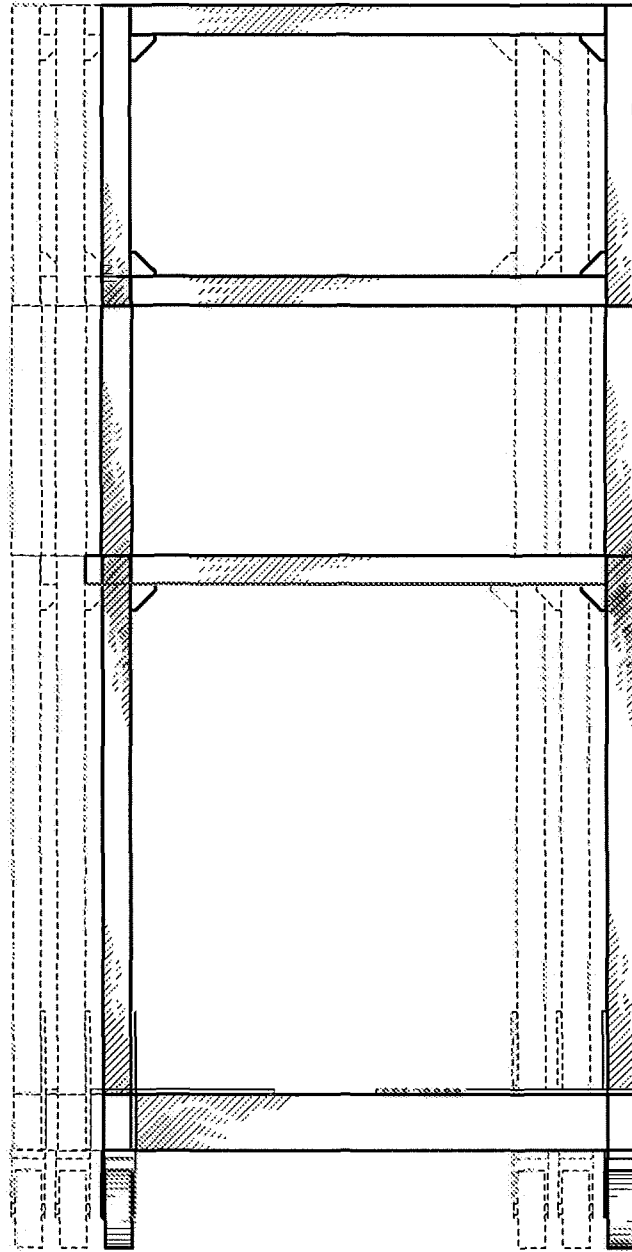


FIG. 10

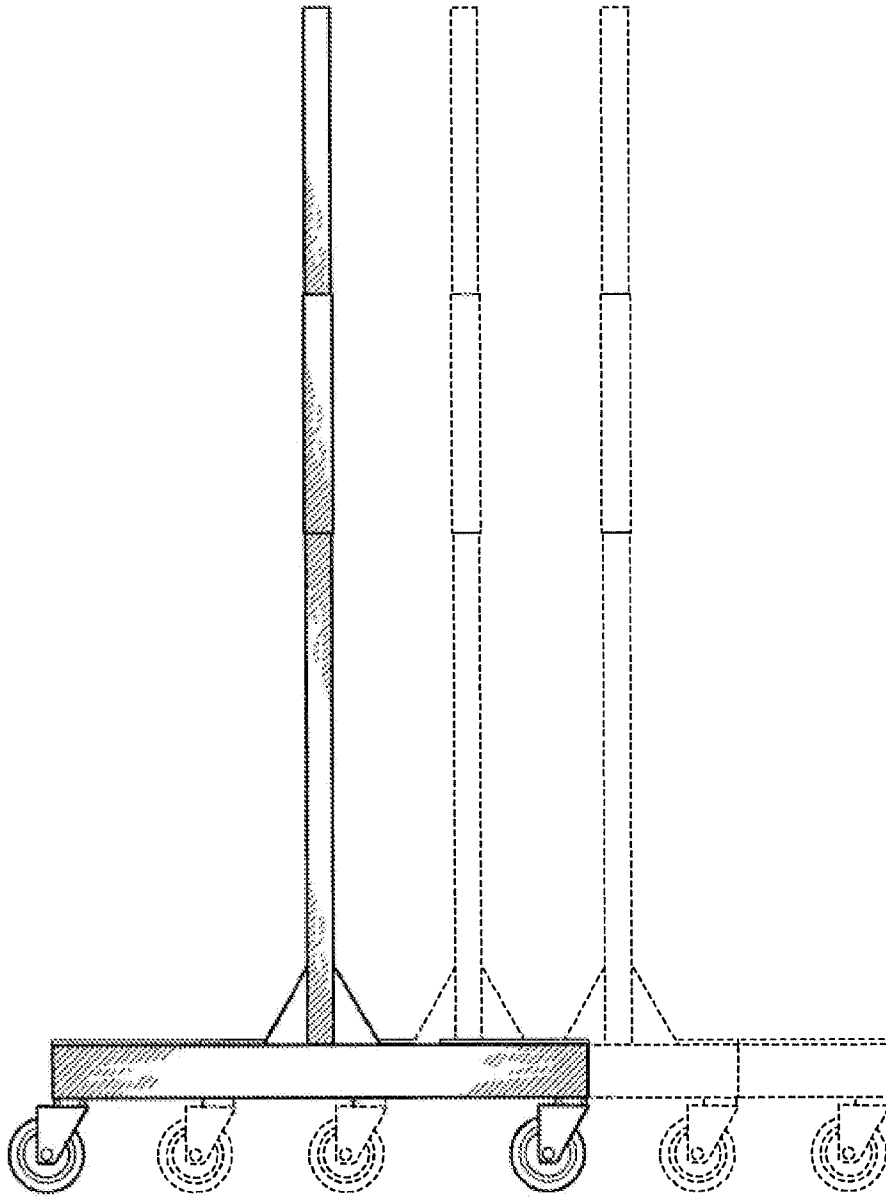


FIG. 11

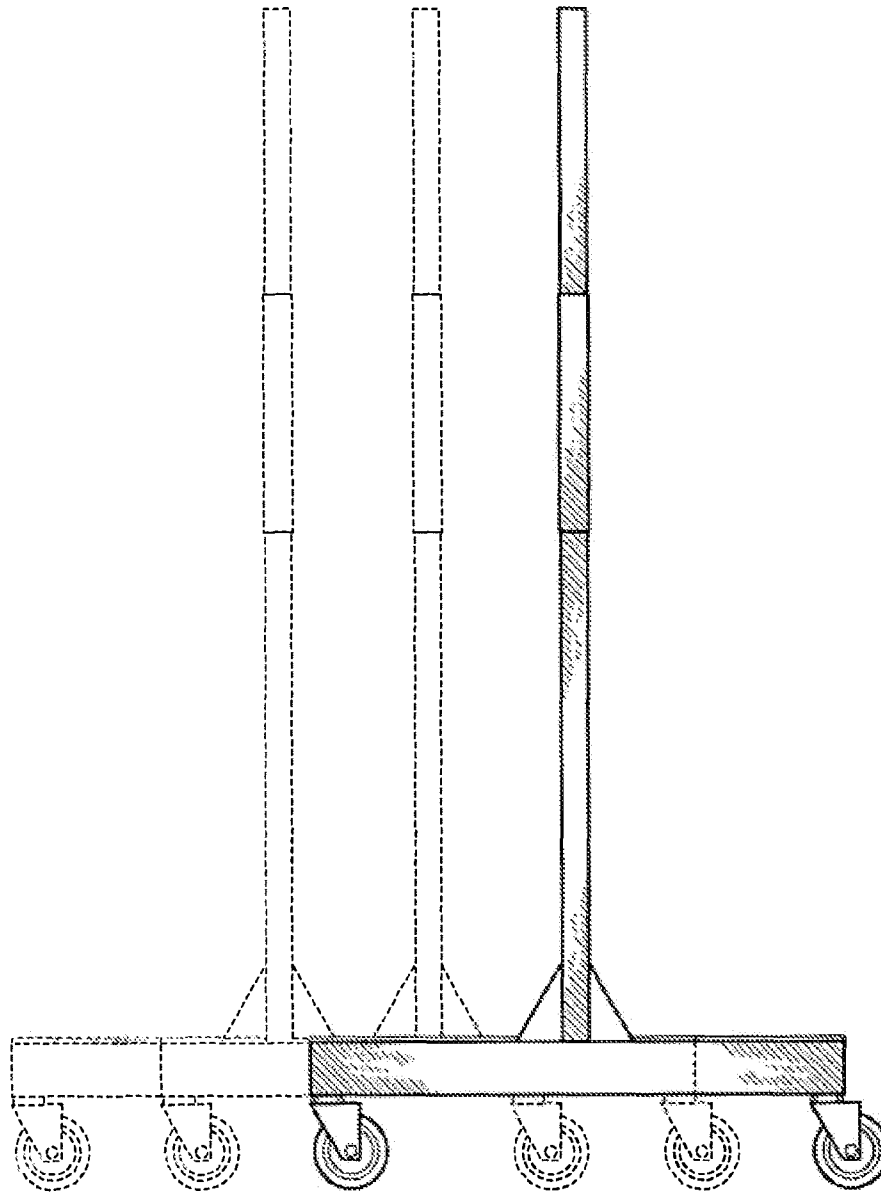


FIG. 12

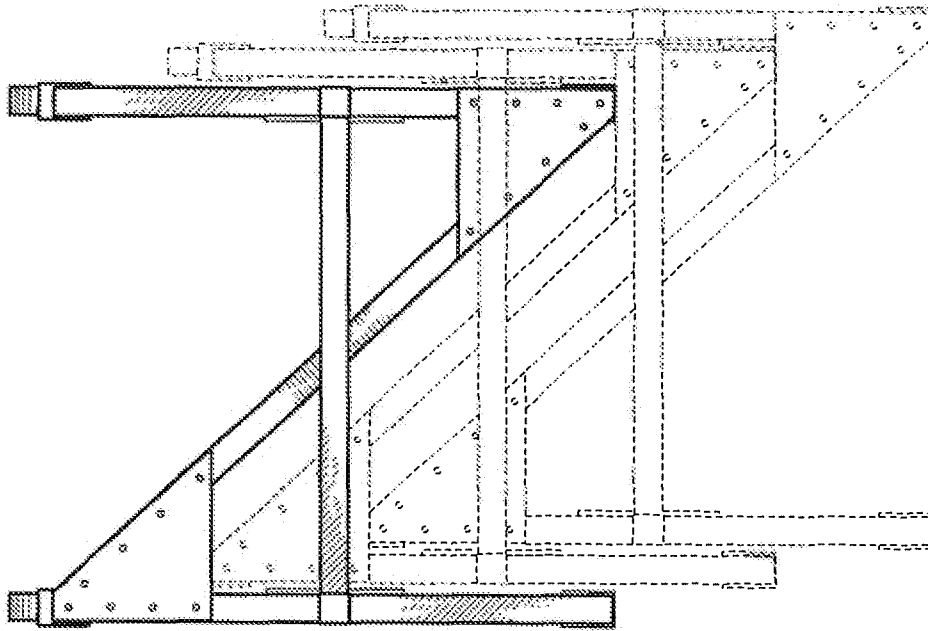


FIG. 13

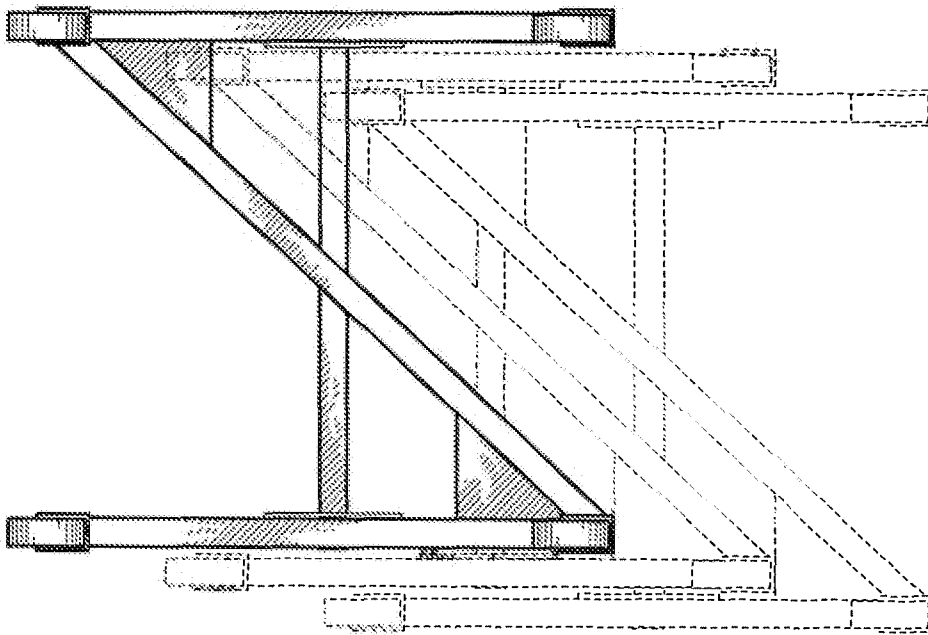


FIG. 14